

[54] BOOTH

D. 259,957 7/1981 McNeall D25/19

[76] Inventor: Koki Isaka, 11-16 Sasamemachi, Kamakura-shi, Kanagawa pref., Japan

Primary Examiner—A. Hugo Word
Attorney, Agent, or Firm—Wegner & Bretschneider

[**] Term: 14 Years

[57] CLAIM

The ornamental design for a booth, as shown.

[21] Appl. No.: 908,638

DESCRIPTION

[22] Filed: Sep. 18, 1986

[52] U.S. Cl. D25/16; D25/22; D25/26

[58] Field of Search D25/1, 16, 18, 19, 22, D25/23, 24, 25, 56, 26

FIG. 1 is a front elevation view of a booth showing my new design;

FIG. 2 is a rear view thereof;

FIG. 3 is a top plan view thereof;

FIG. 4 is a bottom plan view thereof;

FIG. 5 is a left side elevational view thereof;

FIG. 6 is a right side elevational view thereof;

FIG. 7 is a sectional view taken along line 7—7 of FIG. 3; and

FIG. 8 is a perspective view thereof.

[56] References Cited

U.S. PATENT DOCUMENTS

- D. 222,501 10/1971 Simonds et al. D25/56 X
- D. 227,241 6/1973 Lane D25/25

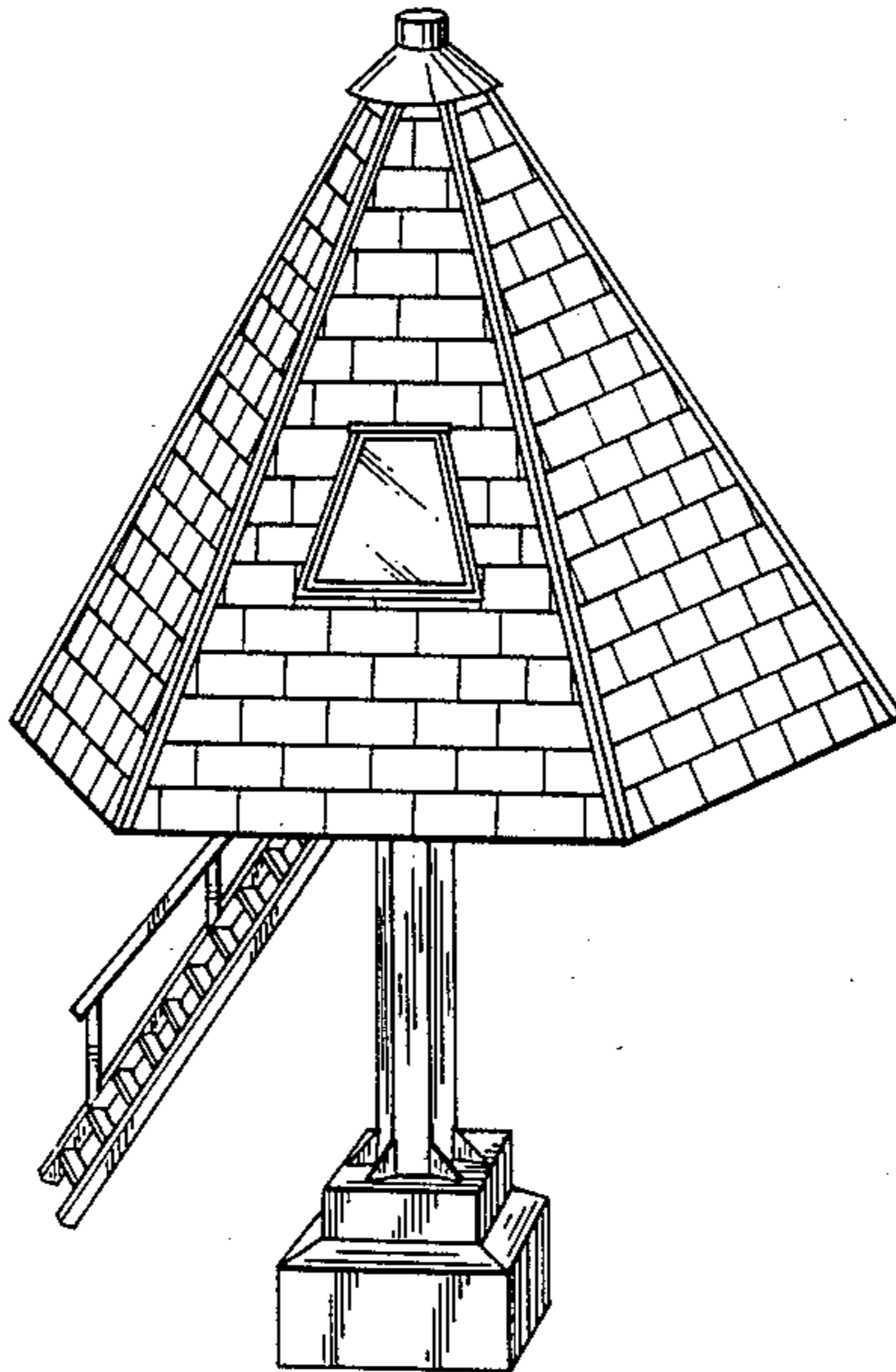


FIG. 2

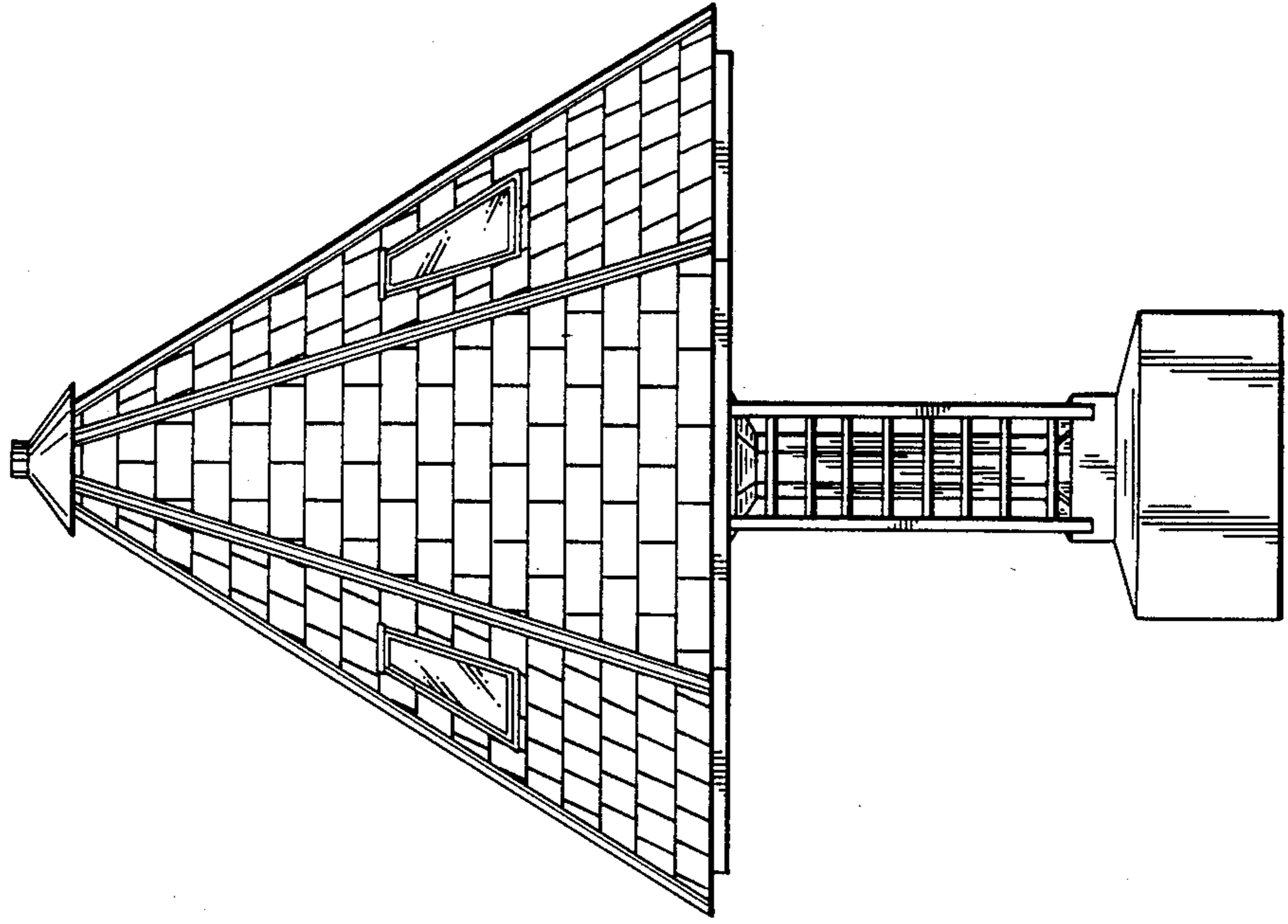


FIG. 1

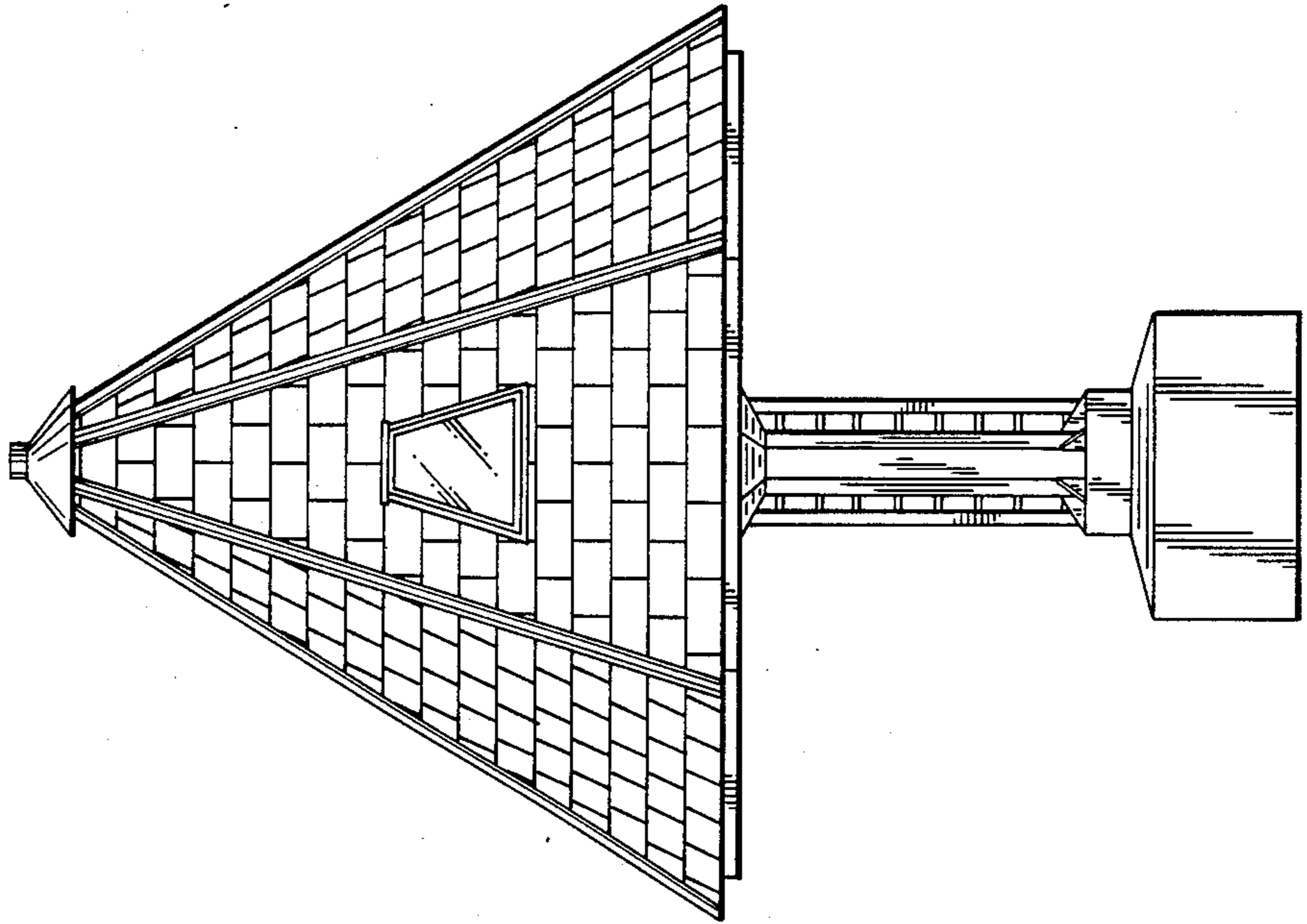


FIG. 4

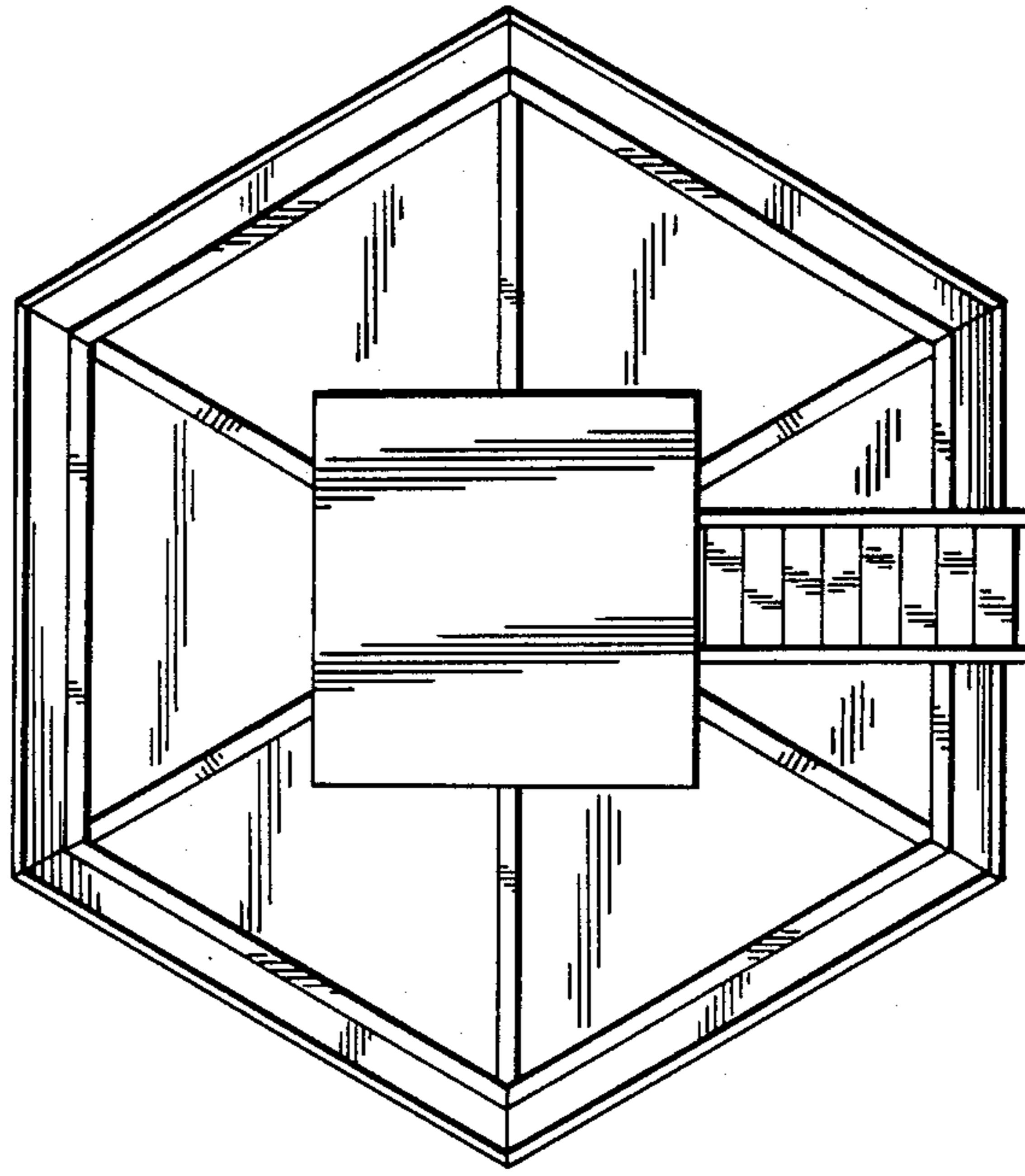


FIG. 3

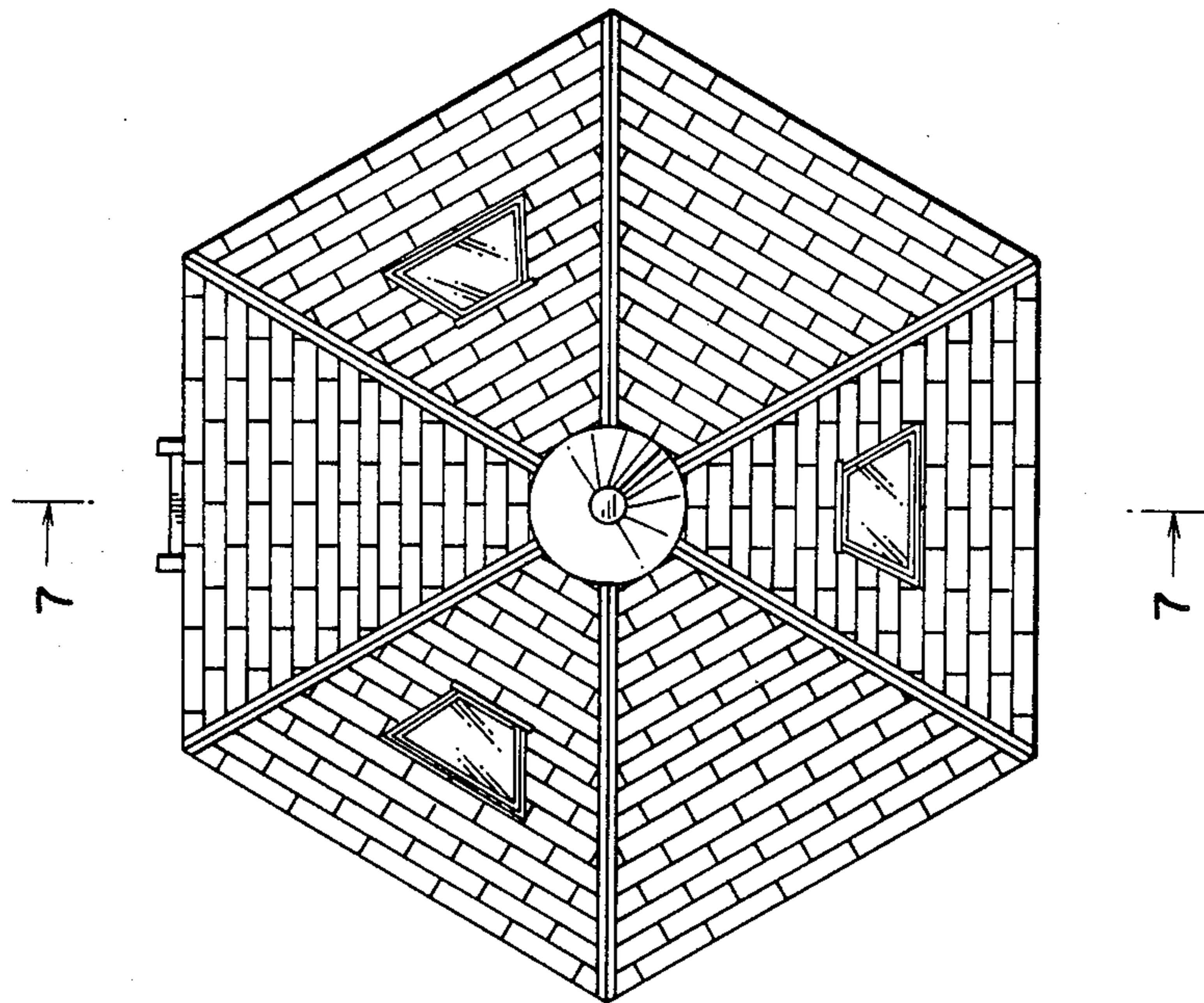


FIG. 6

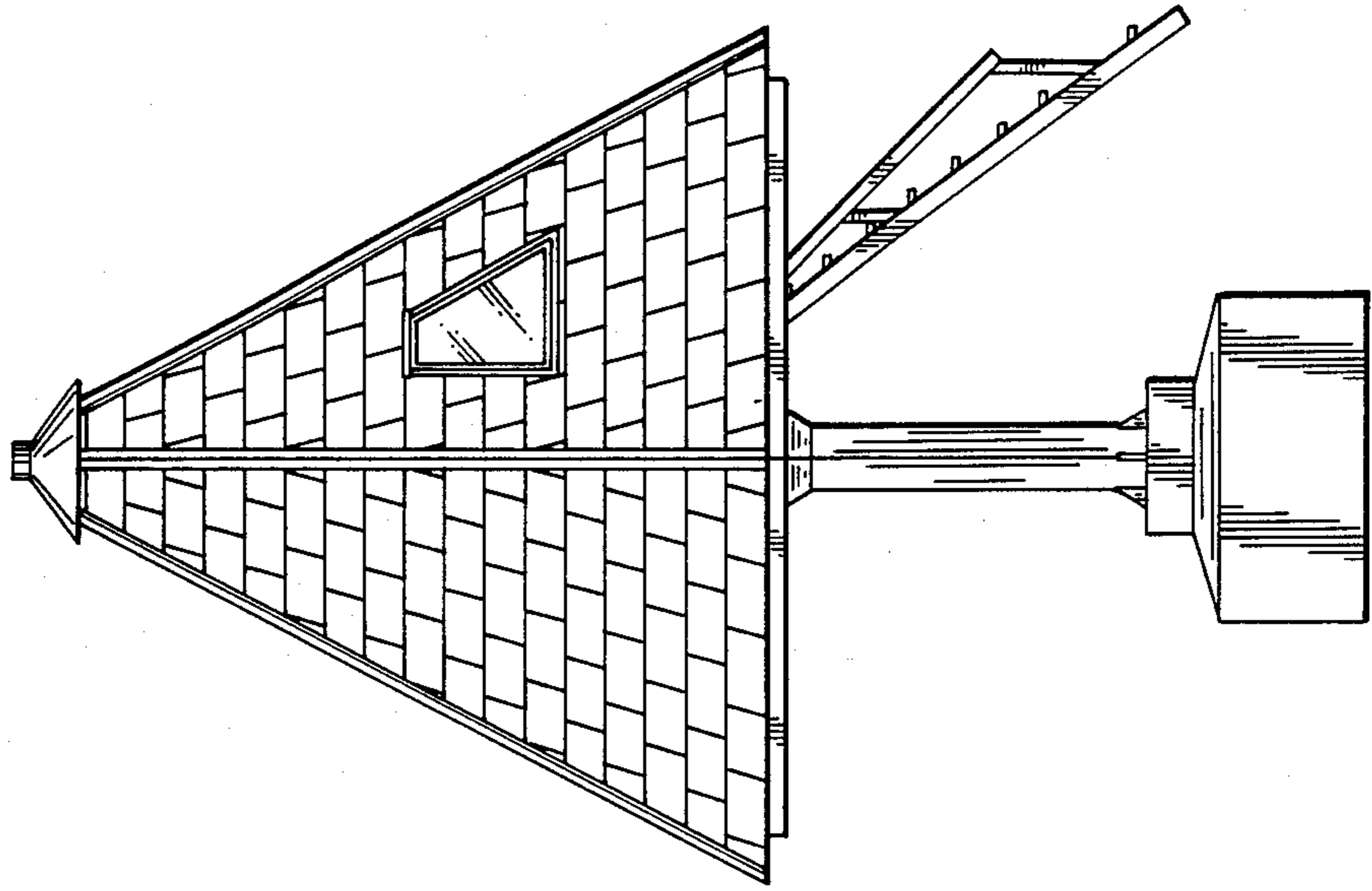


FIG. 5

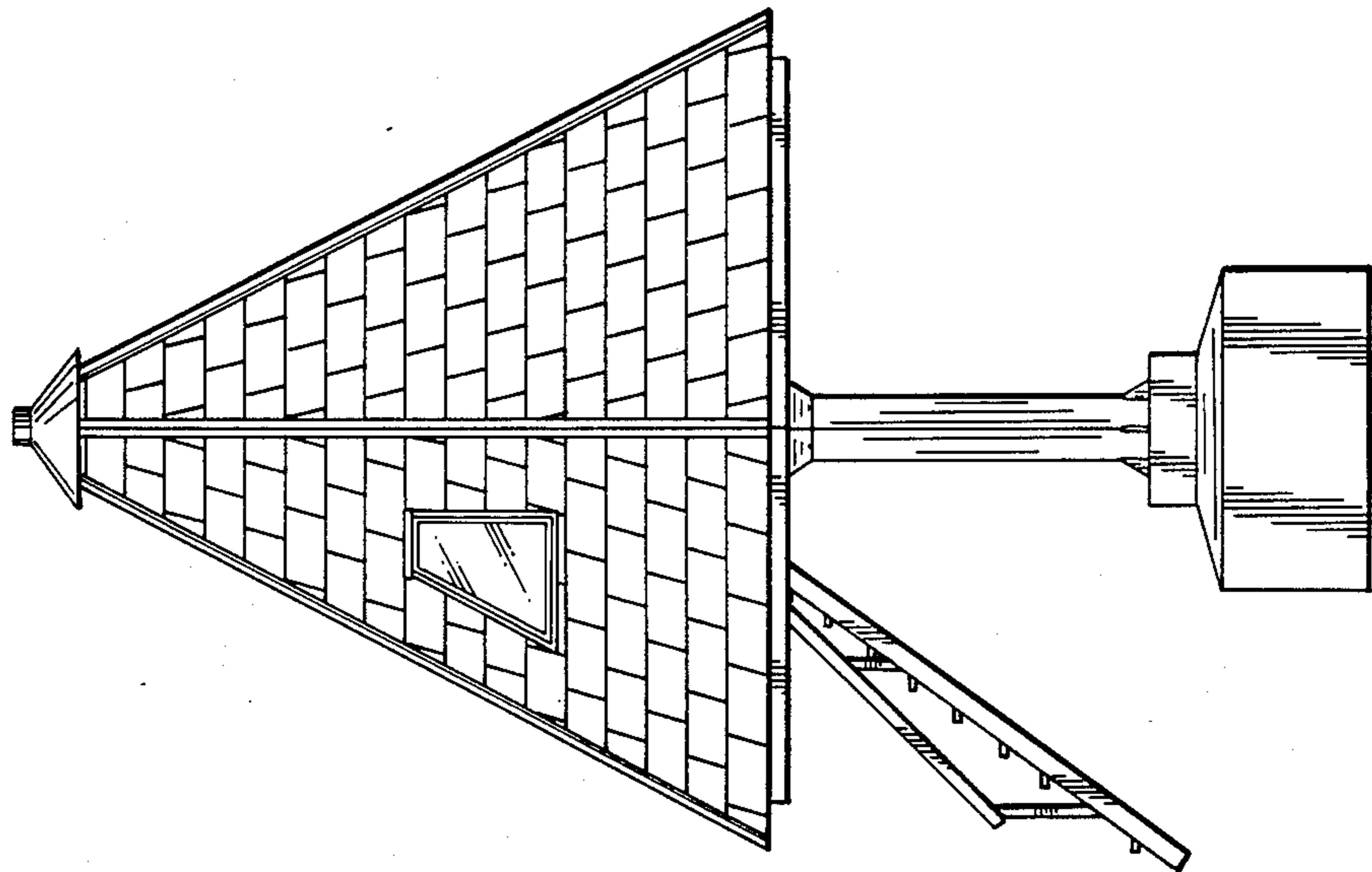


FIG. 7

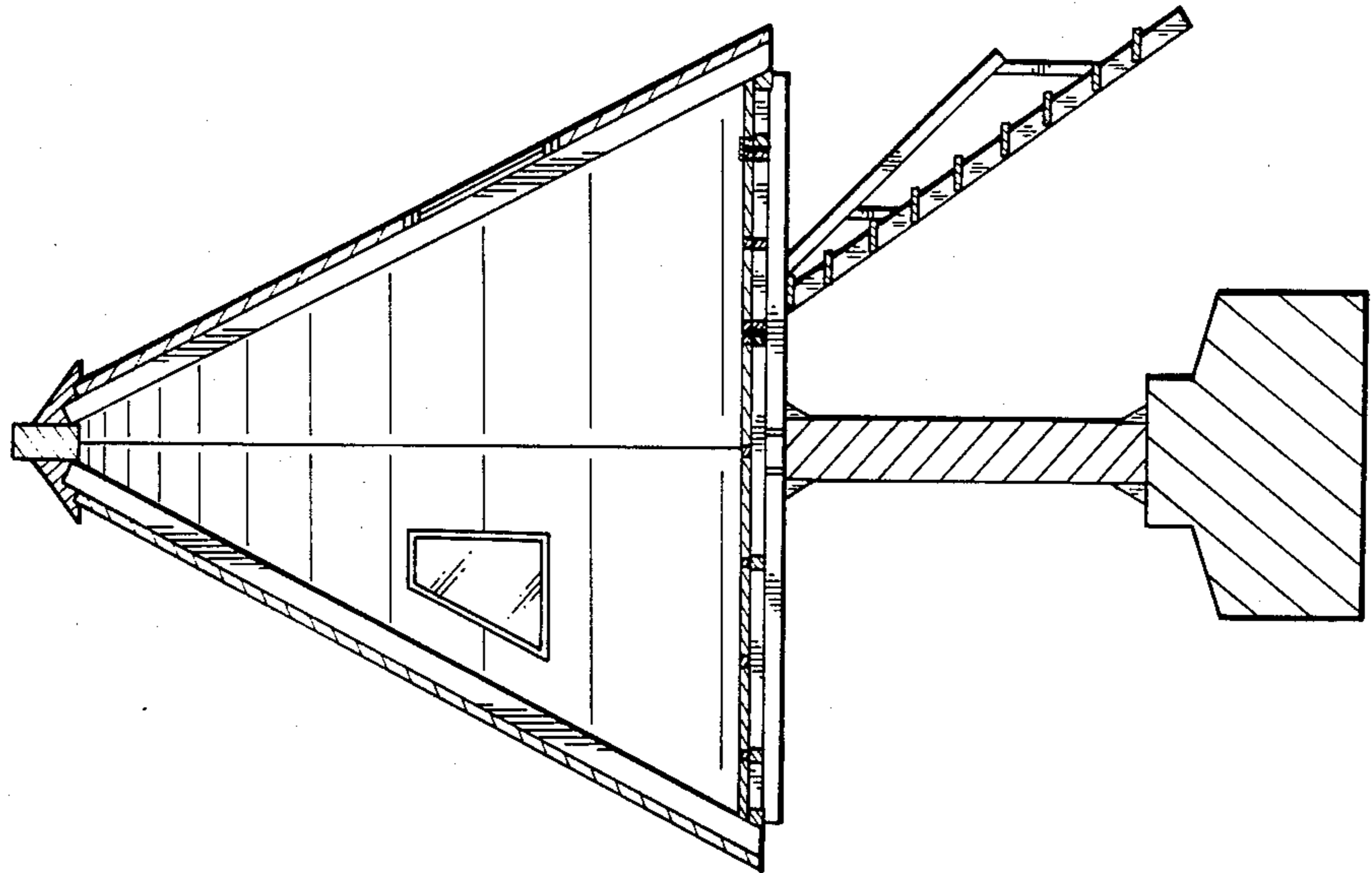


FIG. 8

