

[54] **LUER NUT FOR CONNECTING MEDICAL DEVICES**

[75] **Inventors: Thomas P. Stephens, Boxford; William R. Brown, Stoneham; David A. Bristol, Lynnfield, all of Mass.**

[73] **Assignee: Hewlett-Packard Company, Palo Alto, Calif.**

[\*\*] **Term: 14 Years**

[21] **Appl. No.: 916,084**

[22] **Filed: Oct. 3, 1986**

[52] **U.S. Cl. .... D24/53**

[58] **Field of Search ..... D24/53; 604/283, 280, 604/240-243, 406, 403, 905, 29, 80; 285/332, 340, 386, 369**

[56] **References Cited**

**U.S. PATENT DOCUMENTS**

4,405,312	9/1983	Gross et al. ....	604/283 X
4,439,188	3/1984	Dennehey et al. ....	604/283
4,588,402	5/1986	Igari et al. ....	604/905 X
4,607,868	8/1986	Harvey et al. ....	285/332
4,629,455	12/1986	Kanno .....	285/332
4,639,019	1/1987	Mittleman .....	285/332
4,778,447	10/1988	Velde et al. ....	604/283 X

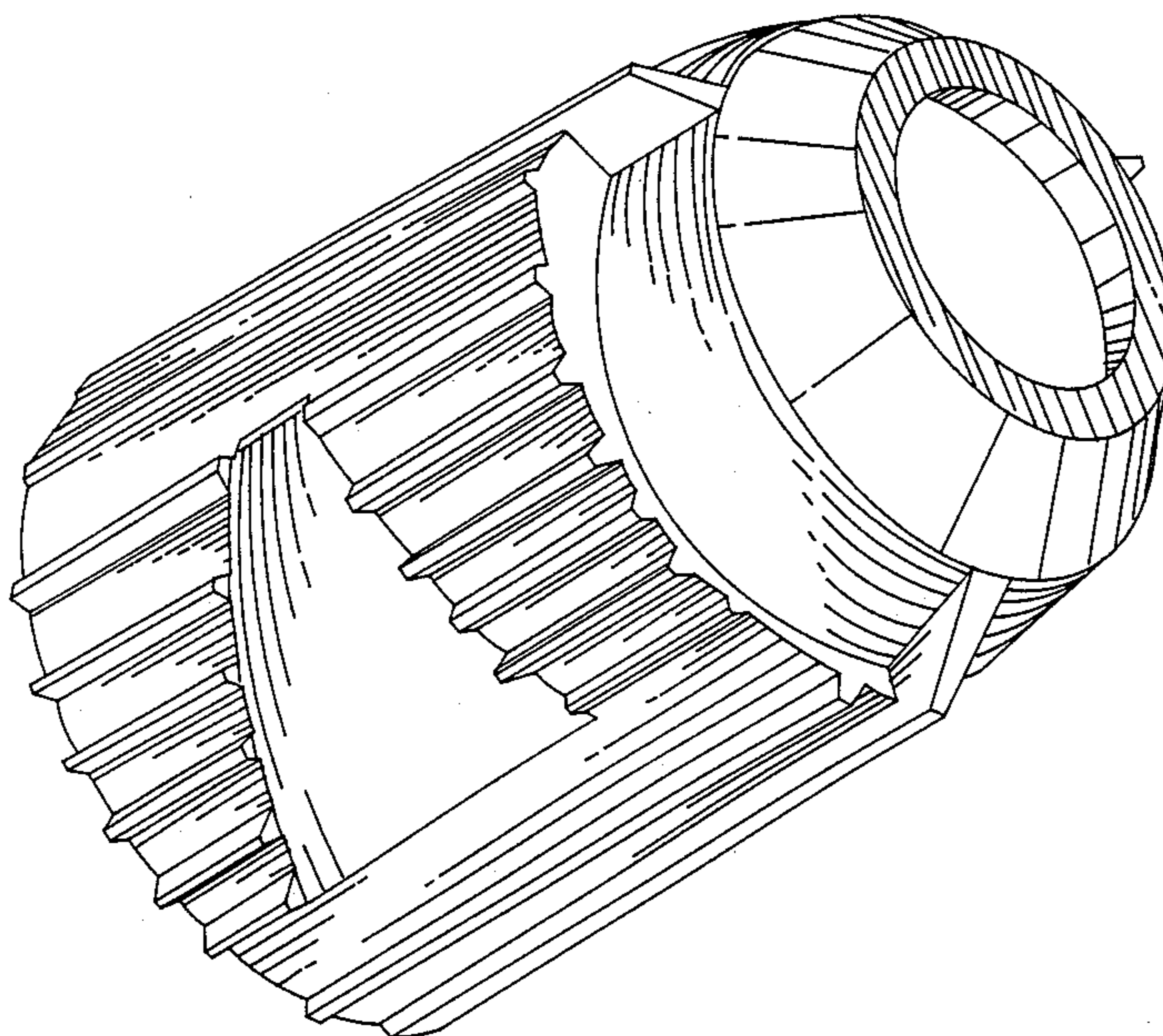
*Primary Examiner*—Wallace R. Burke  
*Assistant Examiner*—Stella M. Reid  
*Attorney, Agent, or Firm*—Jeffery B. Fromm

[57] **CLAIM**

The ornamental design for a luer nut for connecting medical devices, as shown and described.

**DESCRIPTION**

FIG. 1 is a right end, perspective view of a luer nut for connecting medical devices showing our new design; FIG. 2 is a side elevational view thereof; FIG. 3 is a right end elevational view thereof; and FIG. 4 is a left end elevational view thereof.



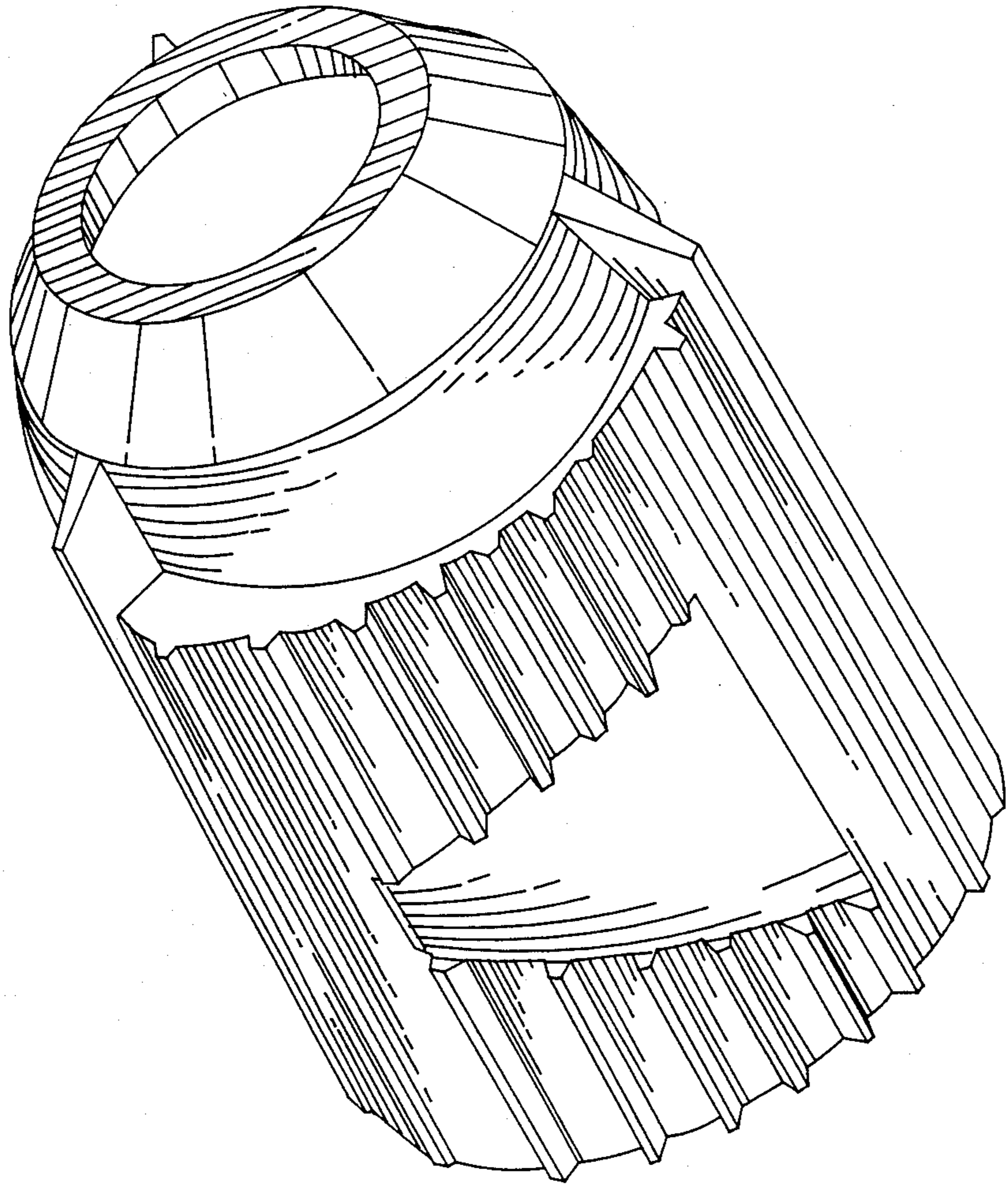


FIG 1

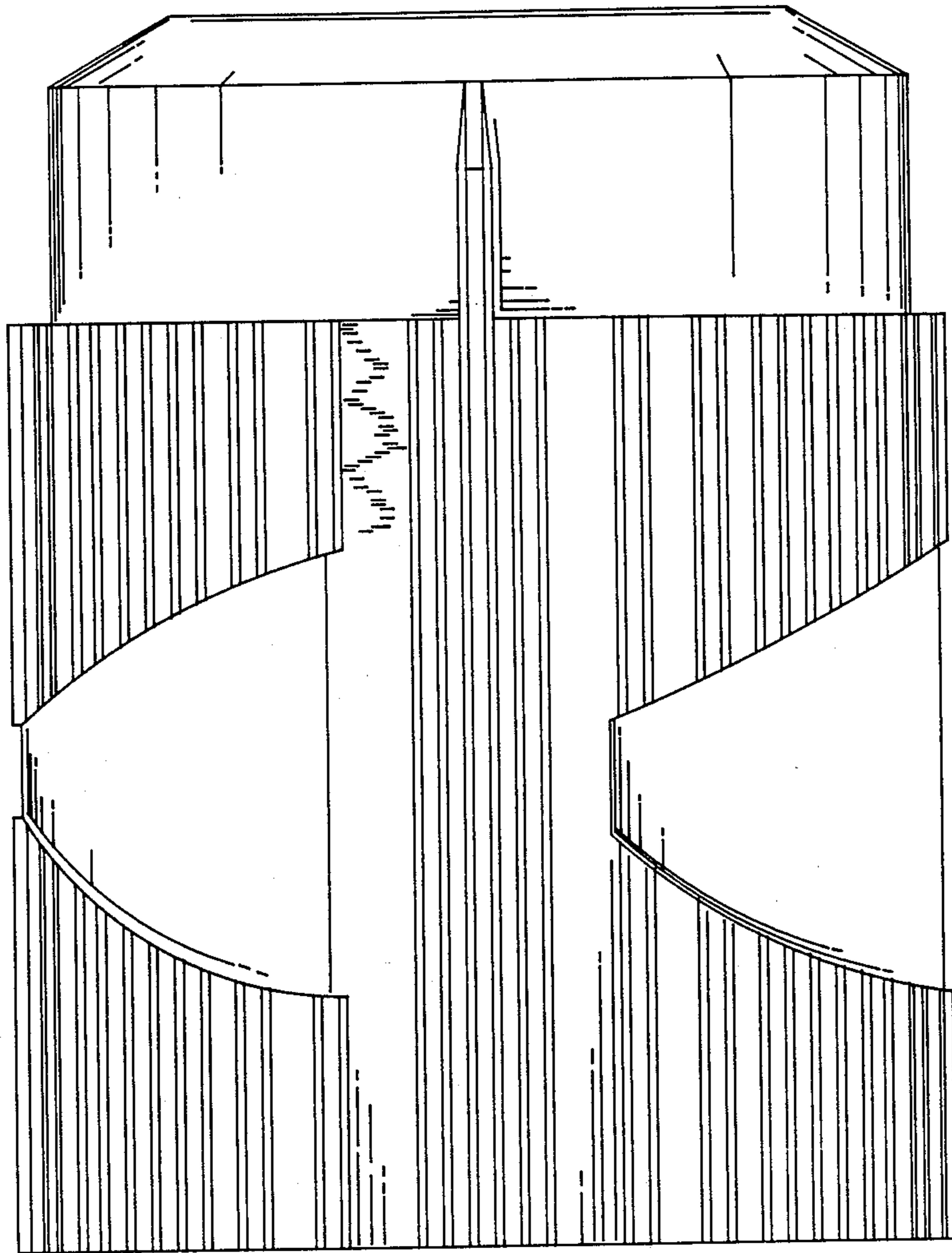


FIG 2

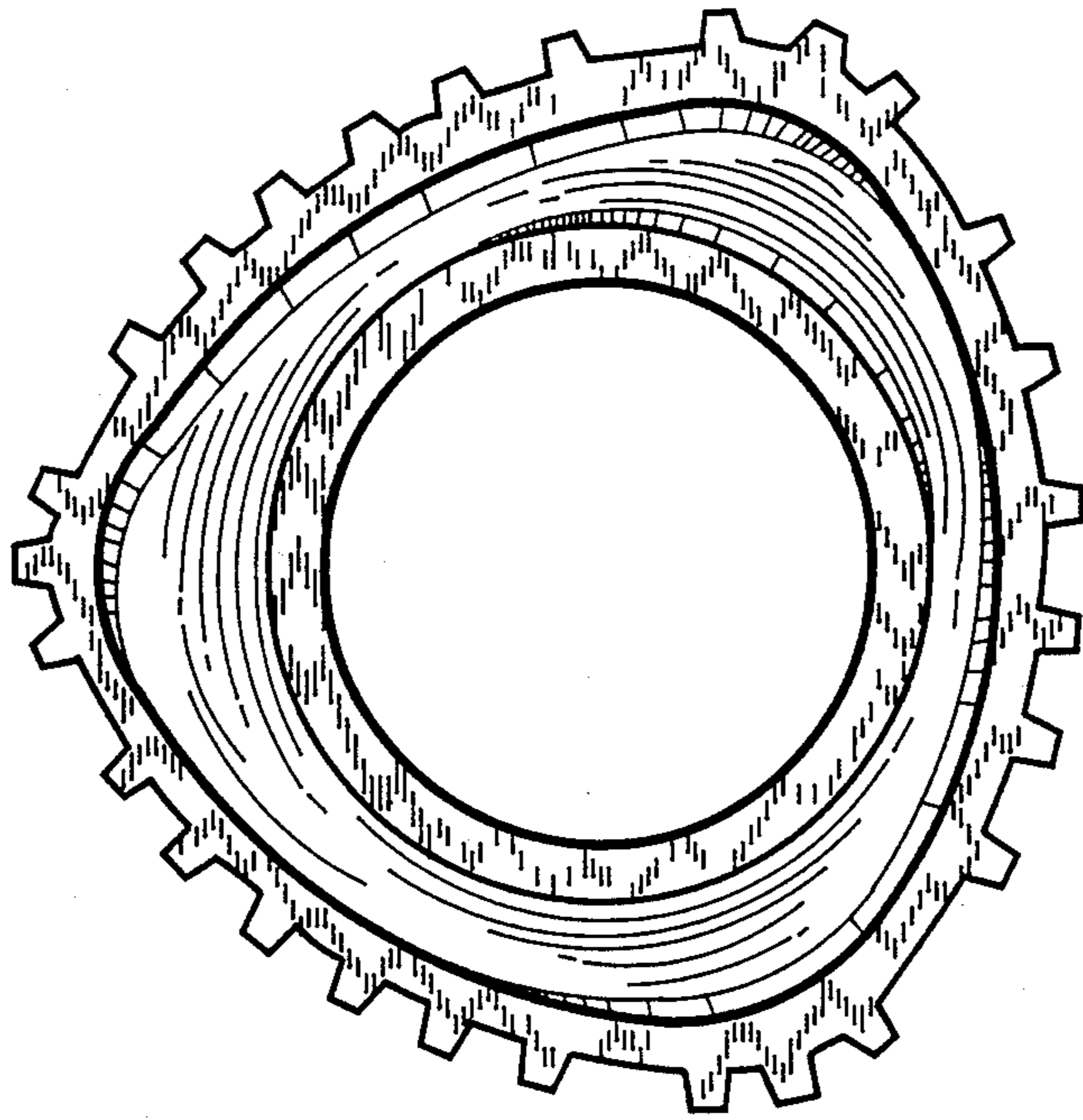


FIG 4

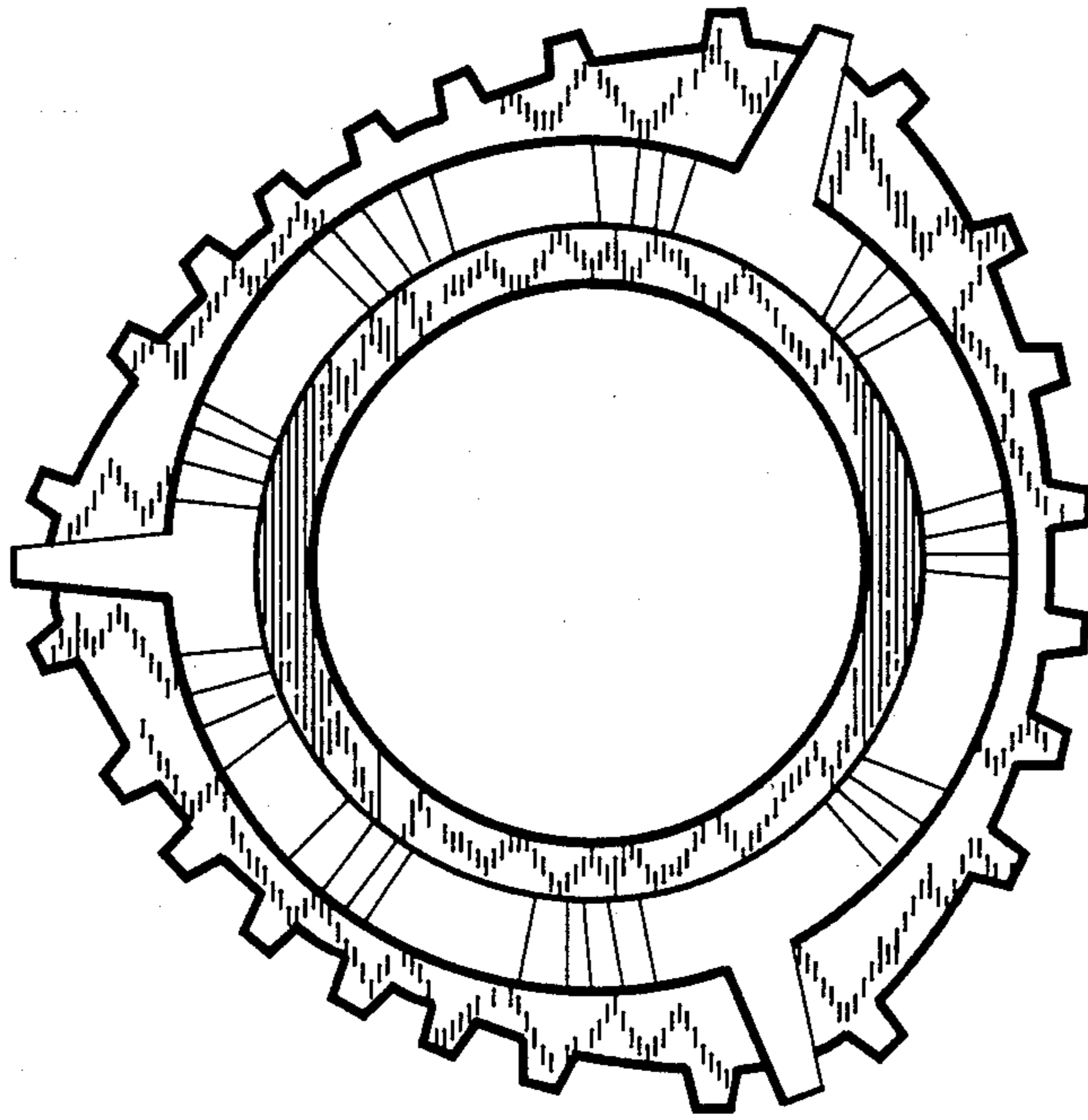


FIG 3