

# United States Patent [19]

Herbst et al.

[11] Patent Number: **Des. 302,728**

[45] Date of Patent: **\*\* Aug. 8, 1989**

[54] **ASPIRATOR**

4,799,924 1/1989 Rosenblatt ..... 604/319

[75] Inventors: **Walter B. Herbst, Chicago, Ill.; Roy J. Rozek, Plymouth, Wis.**

*Primary Examiner*—Wallace R. Burke  
*Assistant Examiner*—Stella M. Reid  
*Attorney, Agent, or Firm*—Basil E. Demeur; Robert E. Knechtel; Alan B. Samlan

[73] Assignee: **Thomas Industries, Inc., Sheboygan, Wis.**

[\*\*] Term: **14 Years**

[57] **CLAIM**

The ornamental design for an aspirator, as shown and described.

[21] Appl. No.: **6,105**

[22] Filed: **Jan. 23, 1987**

[52] U.S. Cl. .... **D24/51; D24/59**

[58] Field of Search ..... **D24/59, 51, 54, 56, D24/17; 604/319, 321, 320**

**DESCRIPTION**

FIG. 1 is a perspective view of an aspirator, showing our new design;  
FIG. 2 is an end elevational view thereof;  
FIG. 3 is a top plan view thereof;  
FIG. 4 is a front elevational view thereof;  
FIG. 5 is an end elevational view opposite the end view of FIG. 2;  
FIG. 6 is a rear elevational view thereof; and  
FIG. 7 is a bottom plan view thereof.

[56] **References Cited**

**U.S. PATENT DOCUMENTS**

D. 154,430 7/1949 Pratt ..... D24/8  
D. 270,948 10/1983 Say ..... D24/59

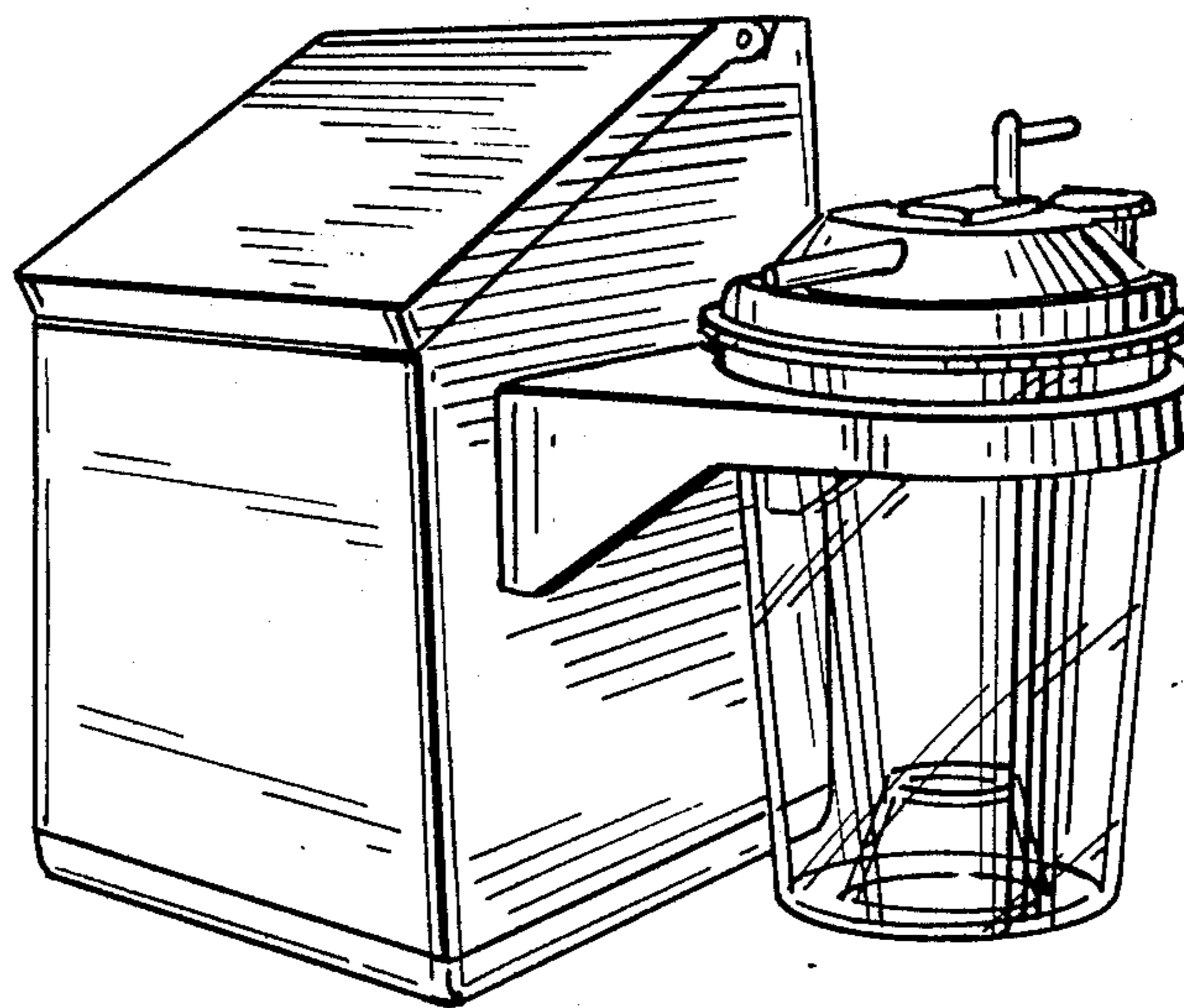


FIG. 1

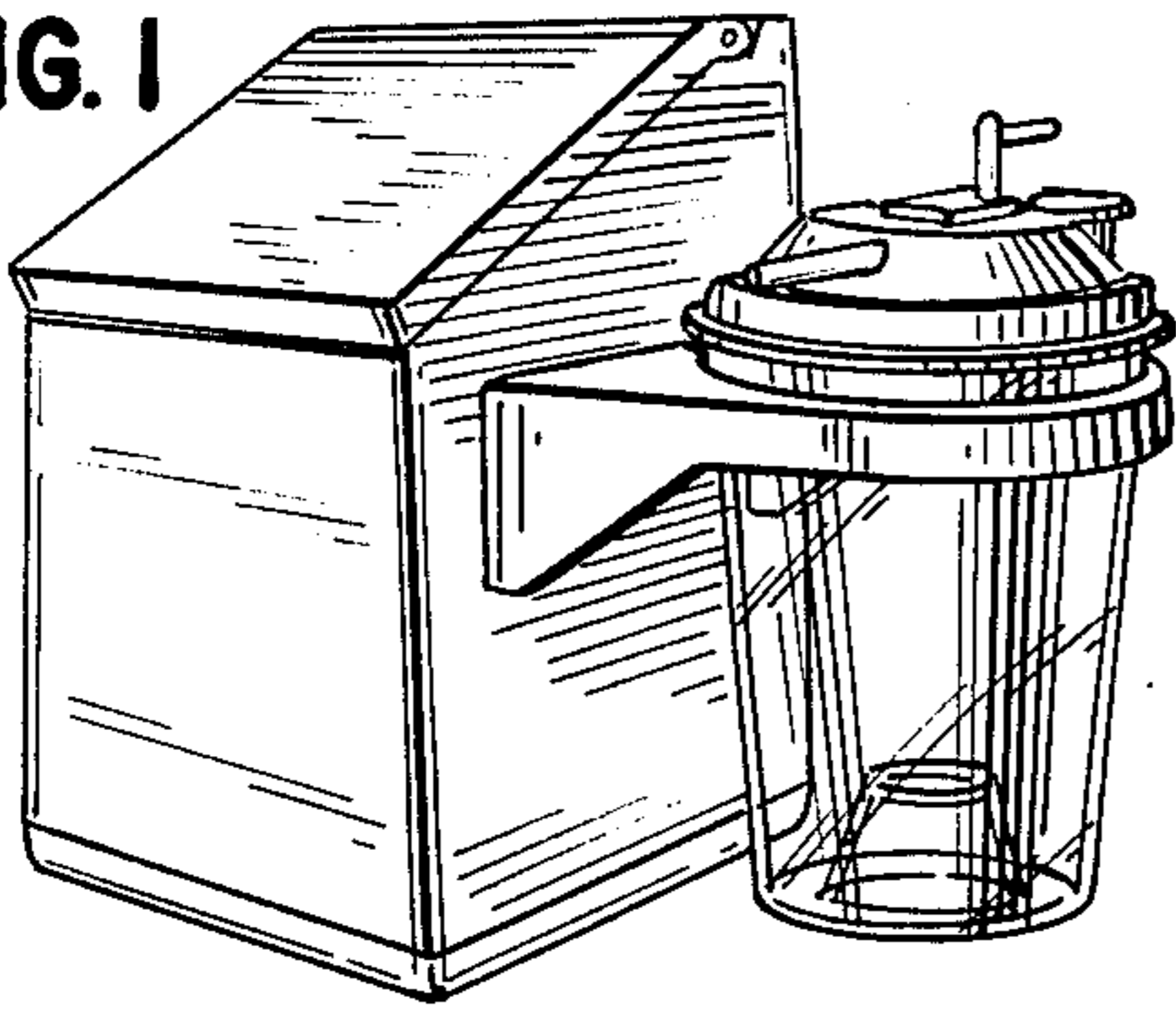


FIG. 6

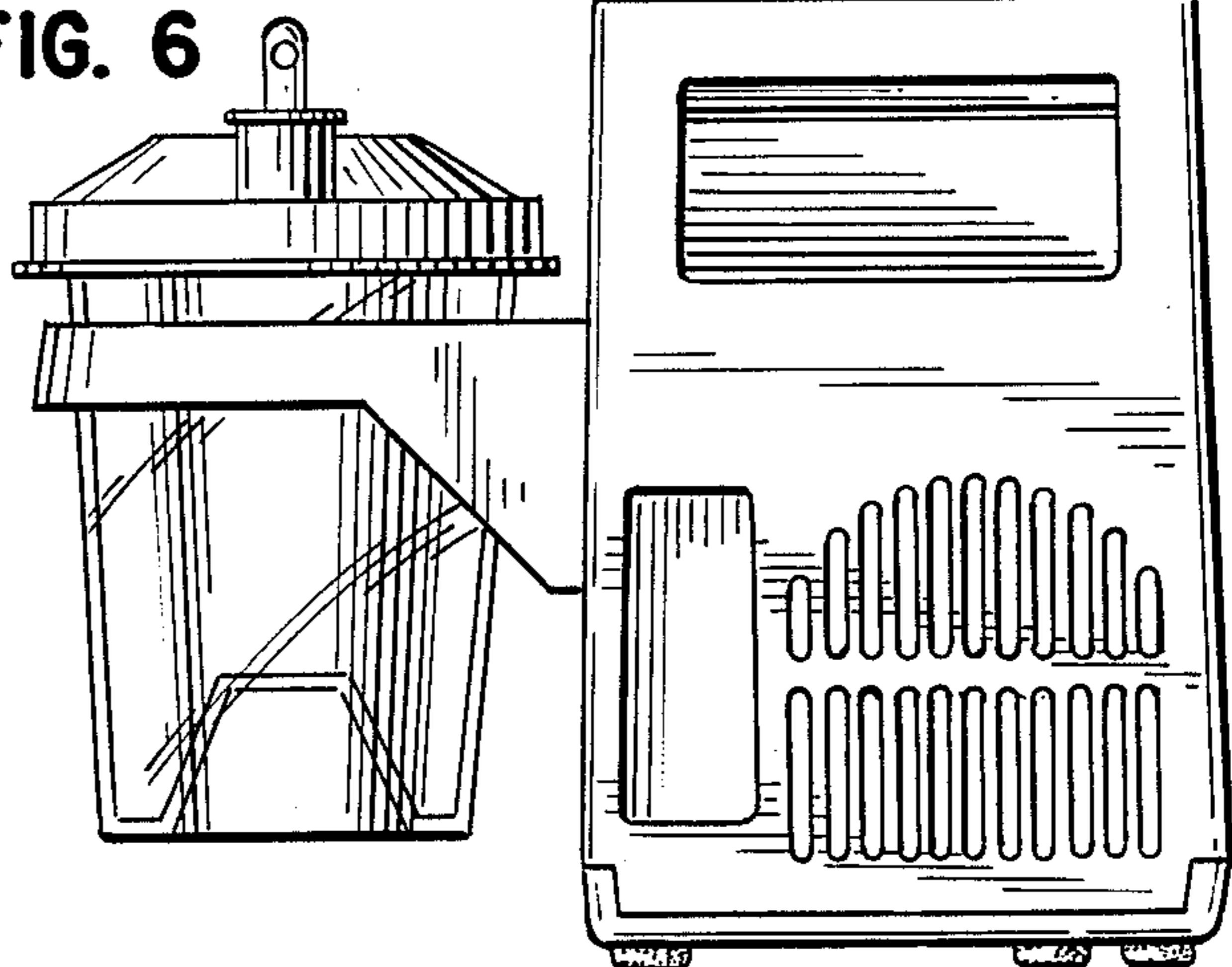


FIG. 2

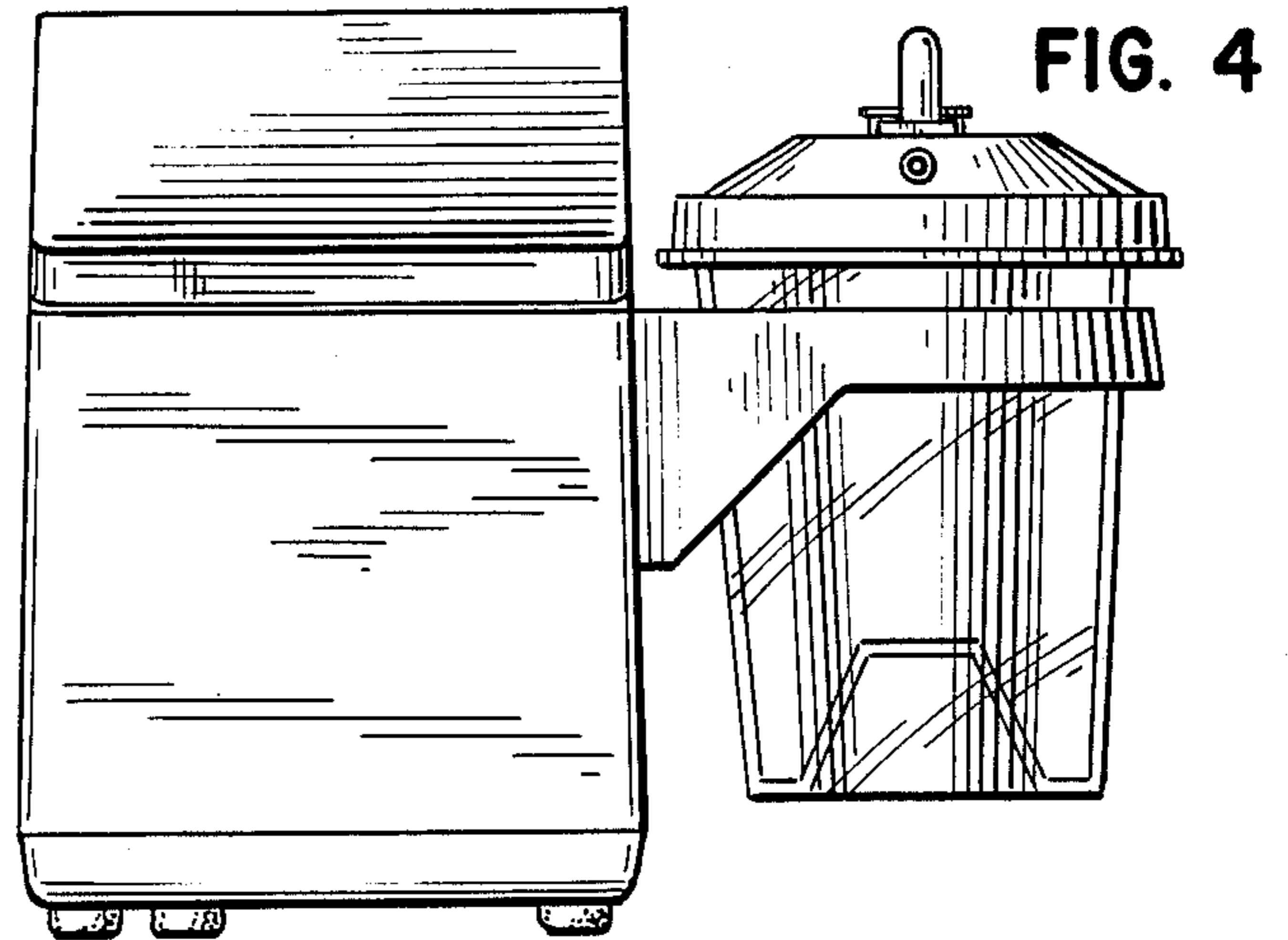
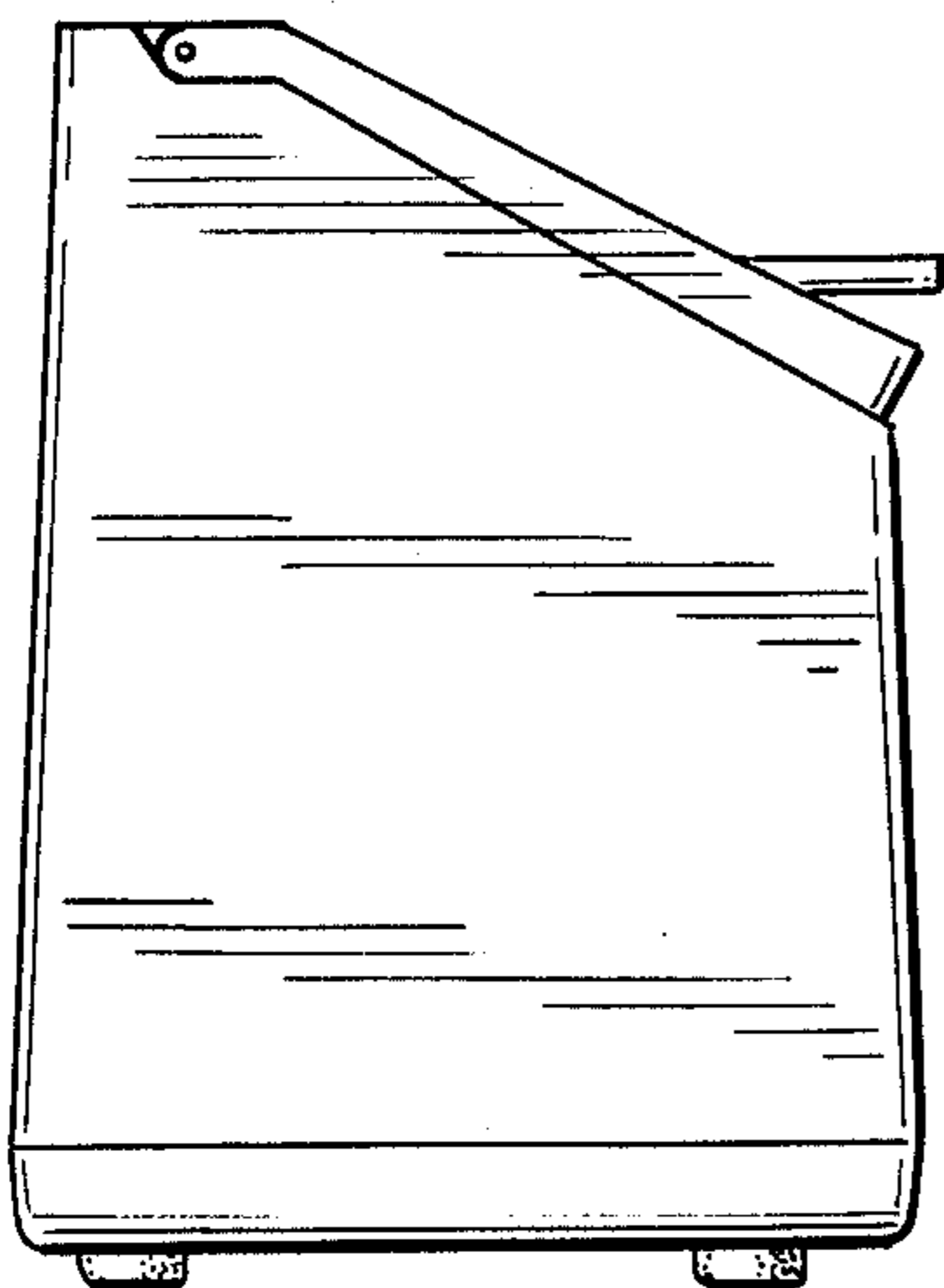
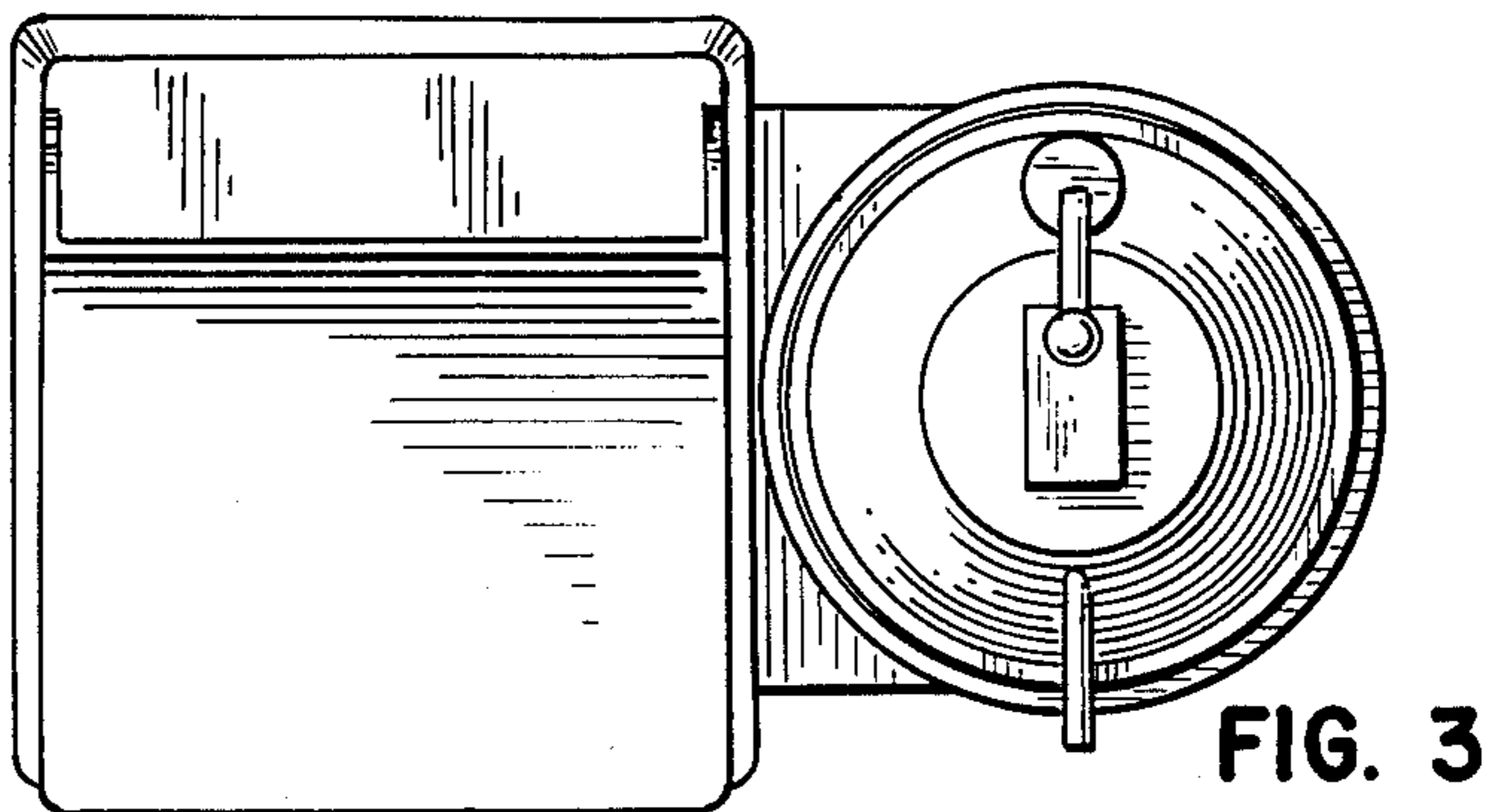
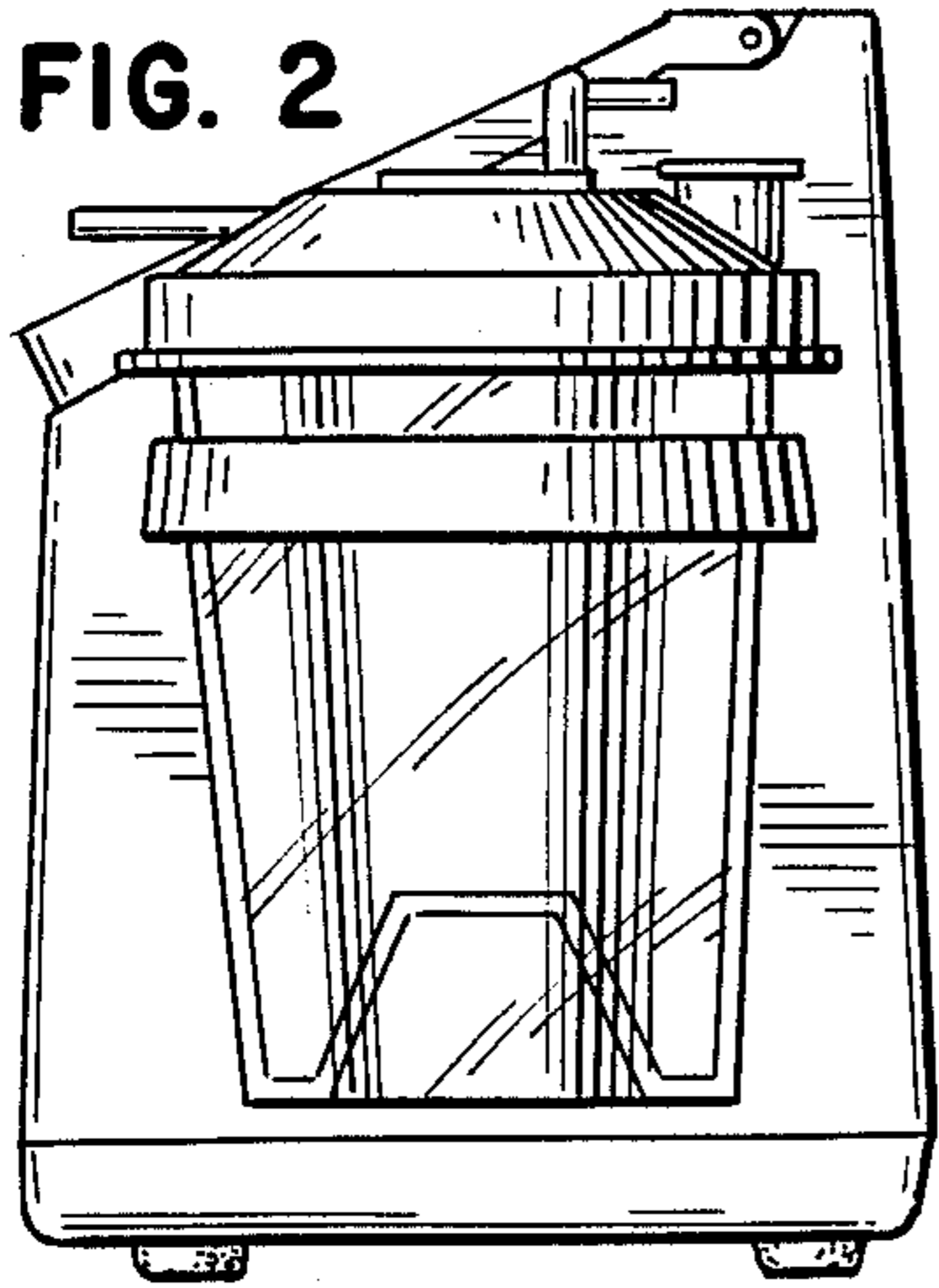


FIG. 5

FIG. 7

