

[54] **GOLF TEE SETTING GAUGE**

3,671,037 6/1972 Murdock, Jr. .... 273/32.5

[76] **Inventor: Johnnie P. Chatham, Rte. 2, Box 331,  
Valley Ridge, Covington, Va.**

*Primary Examiner*—Melvin B. Feifer  
*Attorney, Agent, or Firm*—C. Robert Rhodes; Judith E. Garmon

[\*\*] **Term: 14 Years**

[21] **Appl. No.: 824,231**

[22] **Filed: Jan. 30, 1986**

[52] **U.S. Cl. .... D21/208**

[58] **Field of Search ..... D21/208; 273/32.5**

[57] **CLAIM**

The ornamental design for a golf tee setting gauge, as shown and described.

**DESCRIPTION**

FIG. 1 is a perspective view of the golf tee setting gauge, illustrating the top, one side and one end showing my new design;

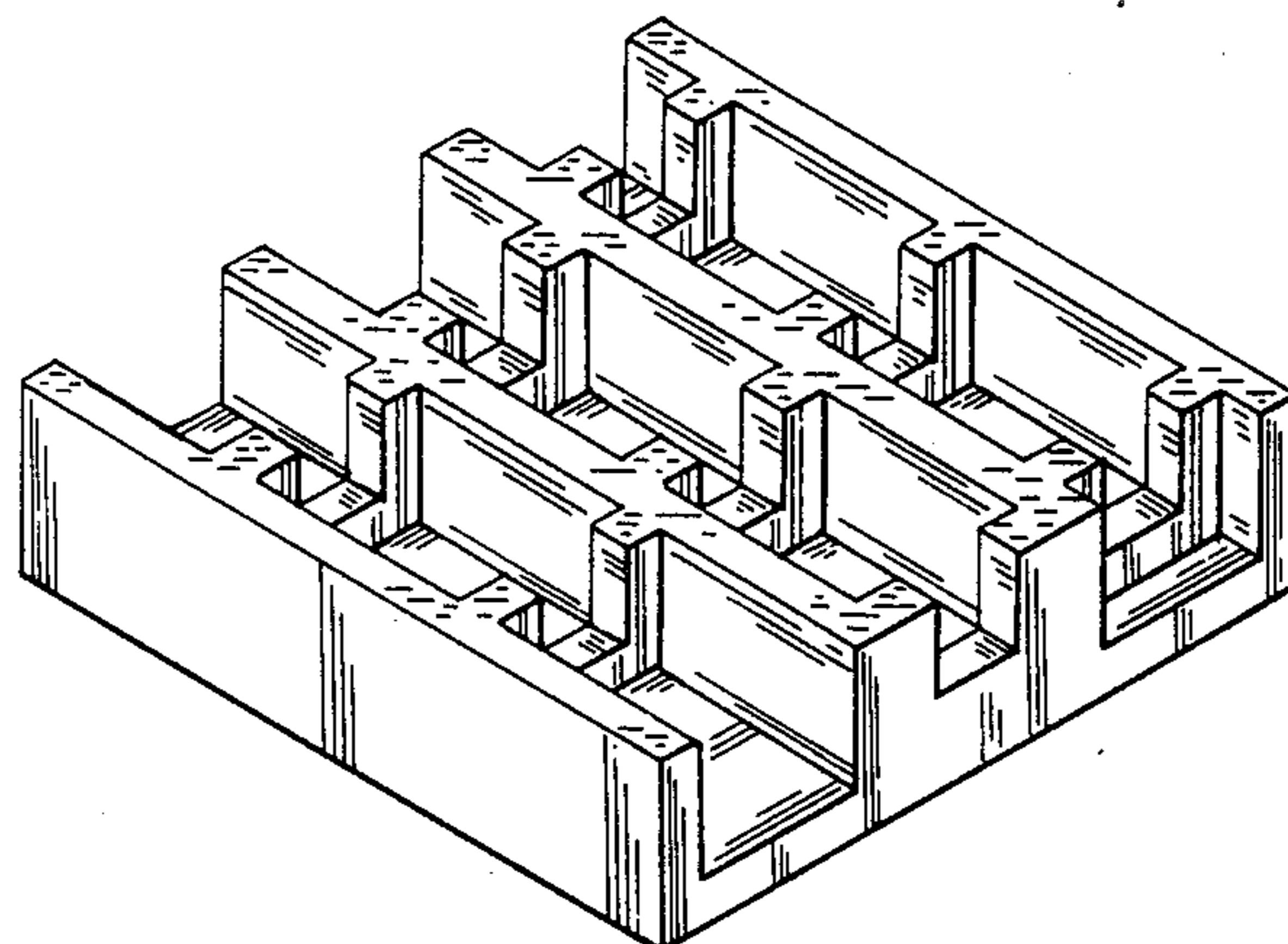
FIG. 2 is a perspective view of FIG. 1, showing the top, the opposite side and opposite end; and

FIG. 3 is a bottom perspective view thereof.

[56] **References Cited**

**U.S. PATENT DOCUMENTS**

- 3,074,719 1/1963 McKee ..... 273/32.5
- 3,540,727 11/1970 Hoe, Jr. .... 273/32.5



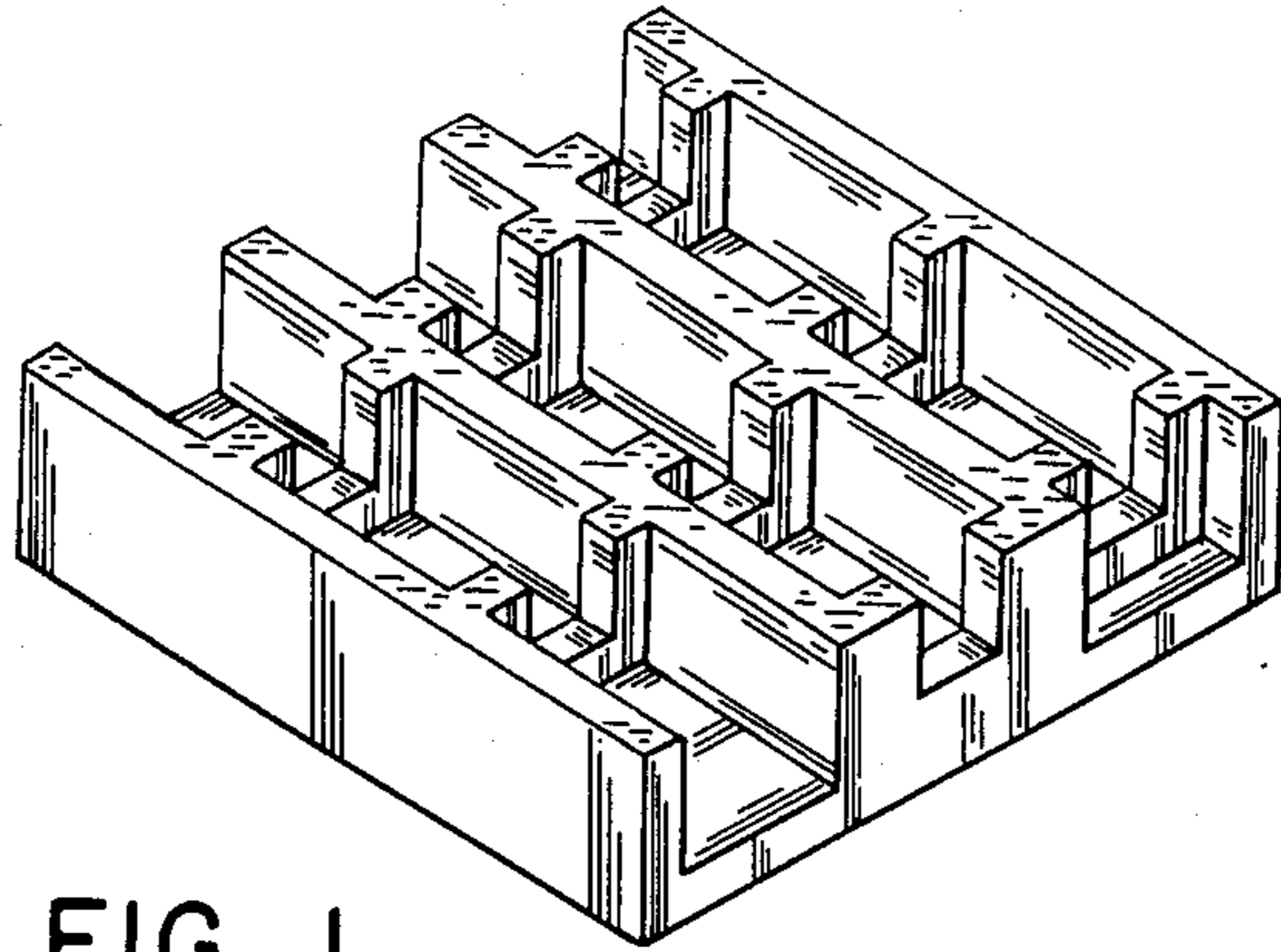


FIG. 1

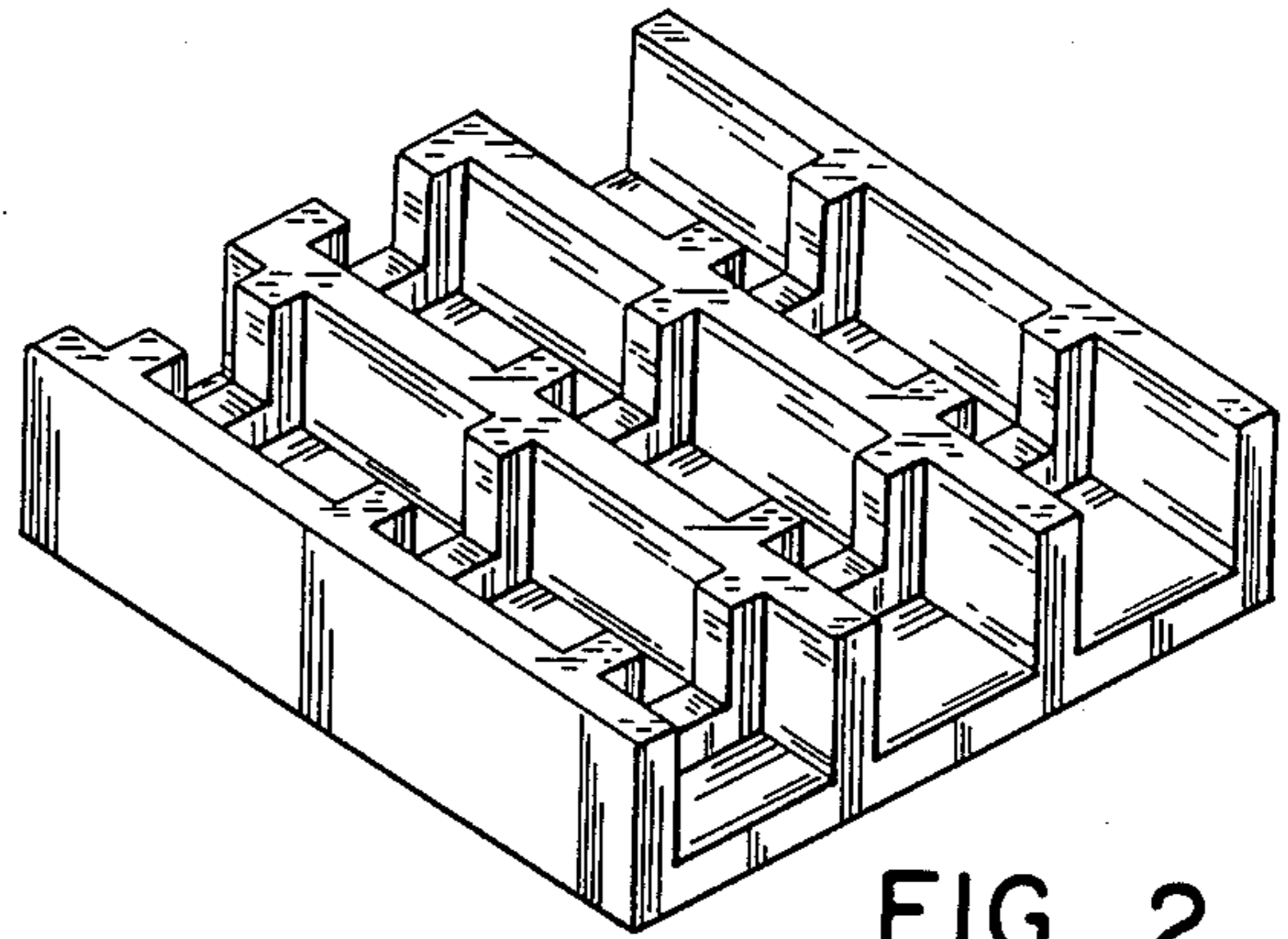


FIG. 2

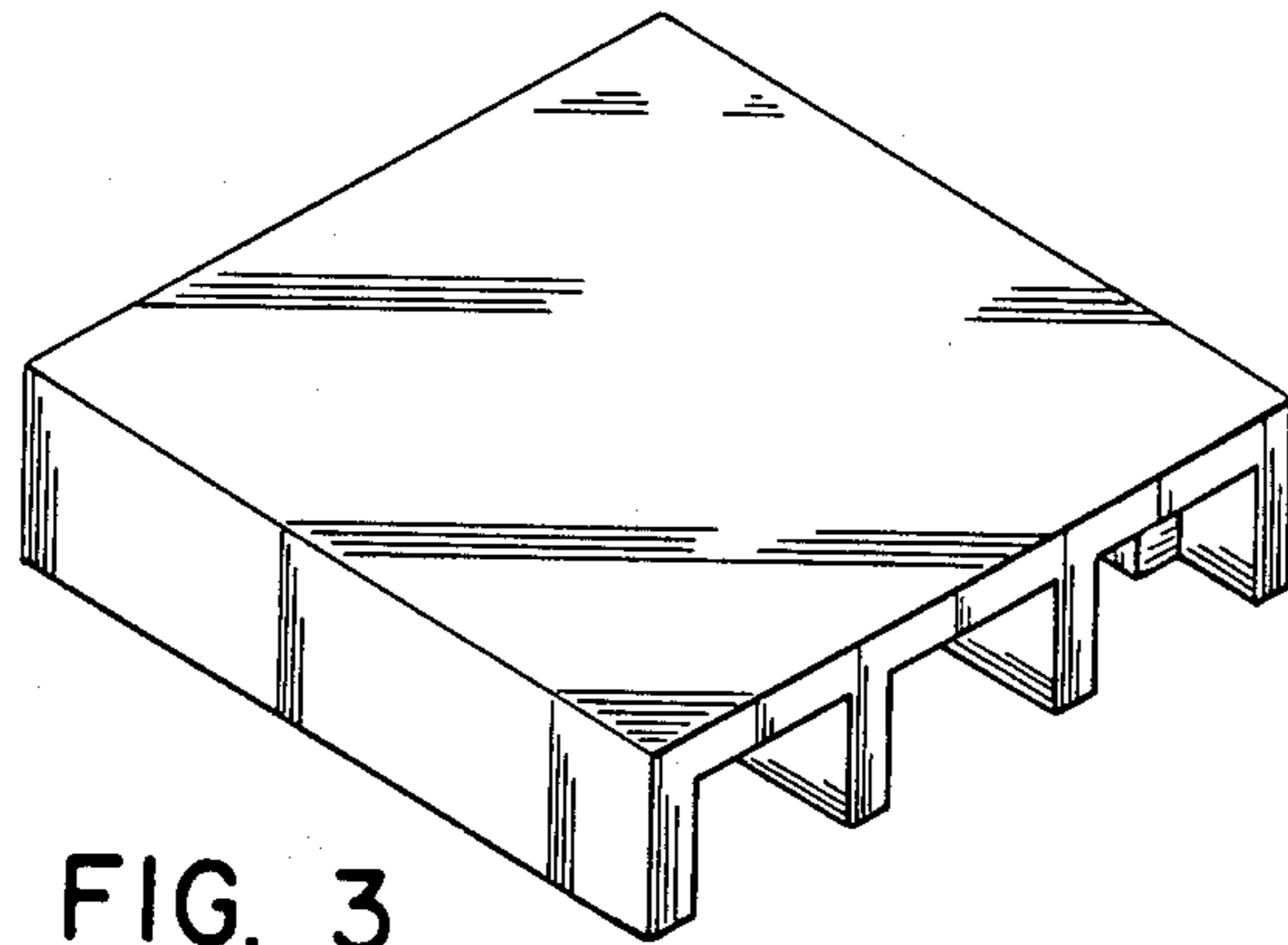


FIG. 3