

[54] UNILATERAL INCLINE SHOULDER EXERCISER

[76] Inventor: Jerry D. Brentham, P.O. Box 599, Belton, Tex. 76513

[**] Term: 14 Years

[21] Appl. No.: 926,790

[22] Filed: Nov. 4, 1986

[52] U.S. Cl. D21/195

[58] Field of Search D21/191-199; 272/93, 67, 117, 112, 125, 127, 130, 131, 134, 135, 136, 139, 142, 143, 144

[56] References Cited

U.S. PATENT DOCUMENTS

D. 226,934	5/1973	Coker et al.	D21/195
D. 242,732	12/1976	Brentham .	
D. 289,190	4/1987	Brentham	D21/195
3,822,599	7/1974	Brentham .	
4,448,412	5/1984	Brentham	272/130
4,623,144	11/1986	Rockwell	272/134

OTHER PUBLICATIONS

Universal 1984 Catalog, #9033 Centurion DVR Leg Extension Machine on p. 21.

Hydra-Fitness, Manual for Ominikinetic Training, Copyright 1983 by Hydra-Fitness Industries, Inc. Belton, Texas 76513, pp. III-13; Series III-314, Shoulder Press/Lat Pull.

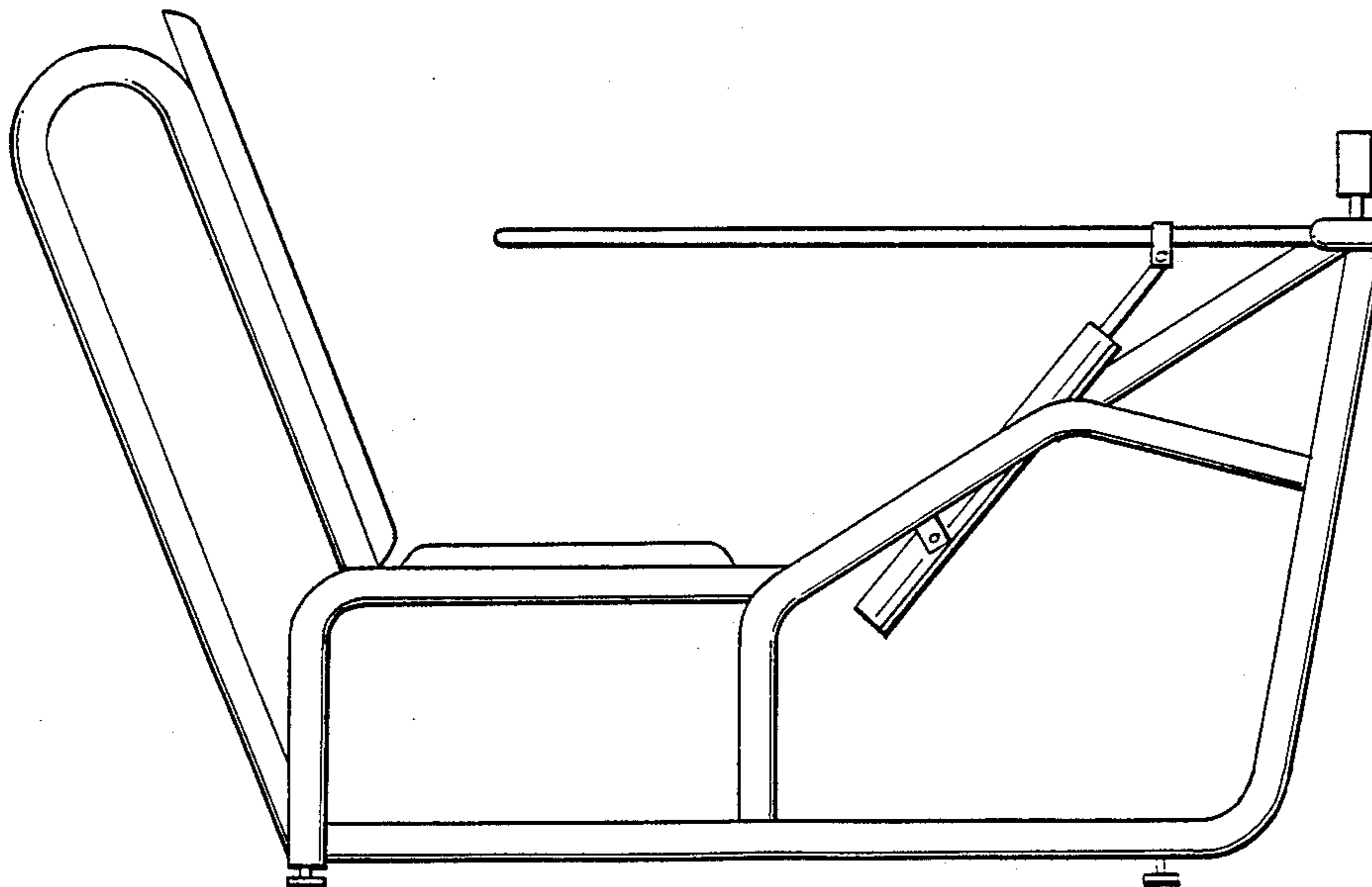
Primary Examiner—Charles A. Rademaker
Attorney, Agent, or Firm—Crutsinger & Booth

[57] CLAIM

The ornamental design for unilateral incline shoulder exerciser, as shown.

DESCRIPTION

FIG. 1 is a front elevational view of a unilateral incline shoulder exerciser showing my new design; FIG. 2 is a rear elevational view thereof; FIG. 3 is a top plan view thereof; FIG. 4 is a bottom plan view thereof; FIG. 5 is a right side elevational view thereof; and FIG. 6 is a left side elevational view thereof.



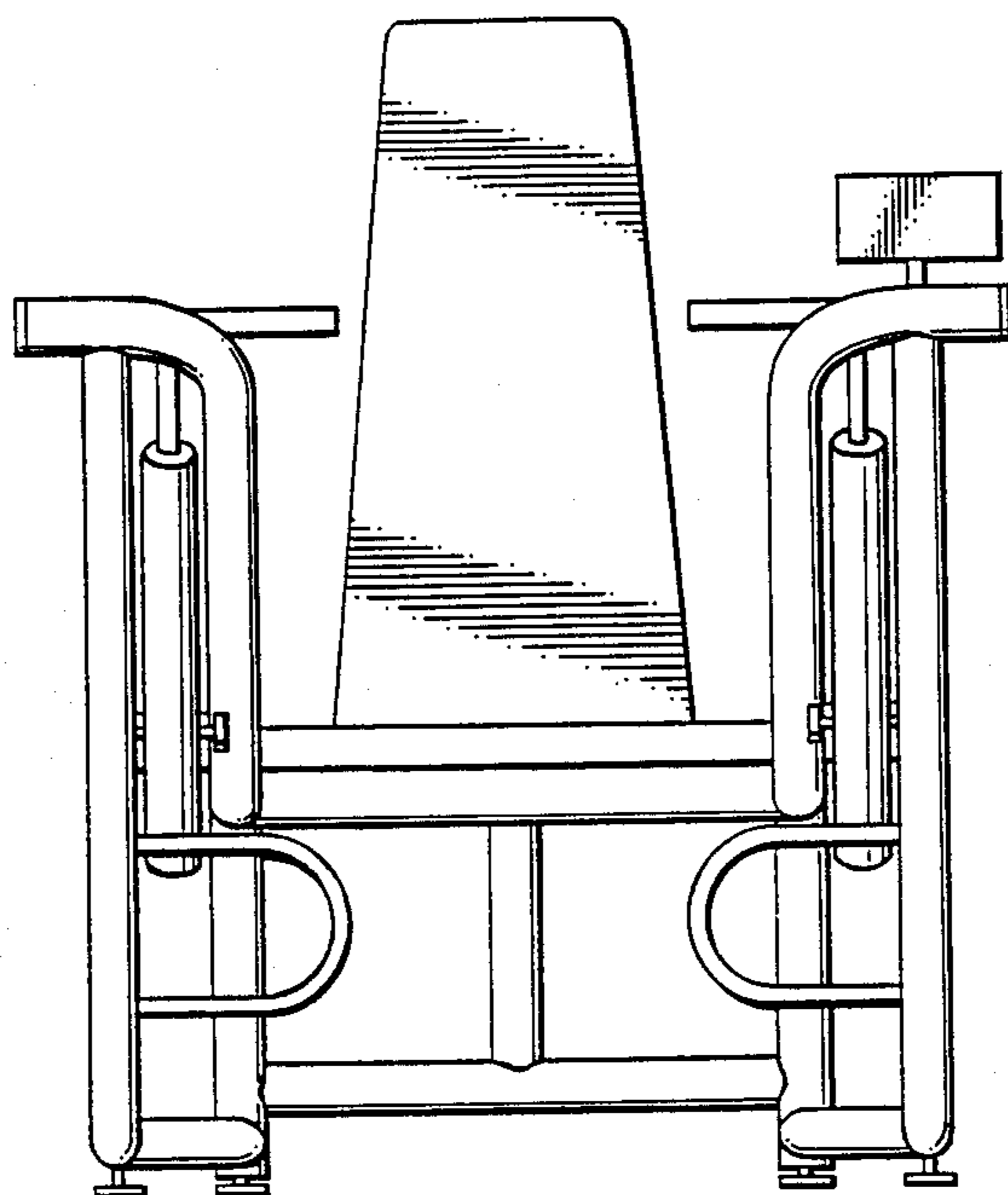


FIG. 1

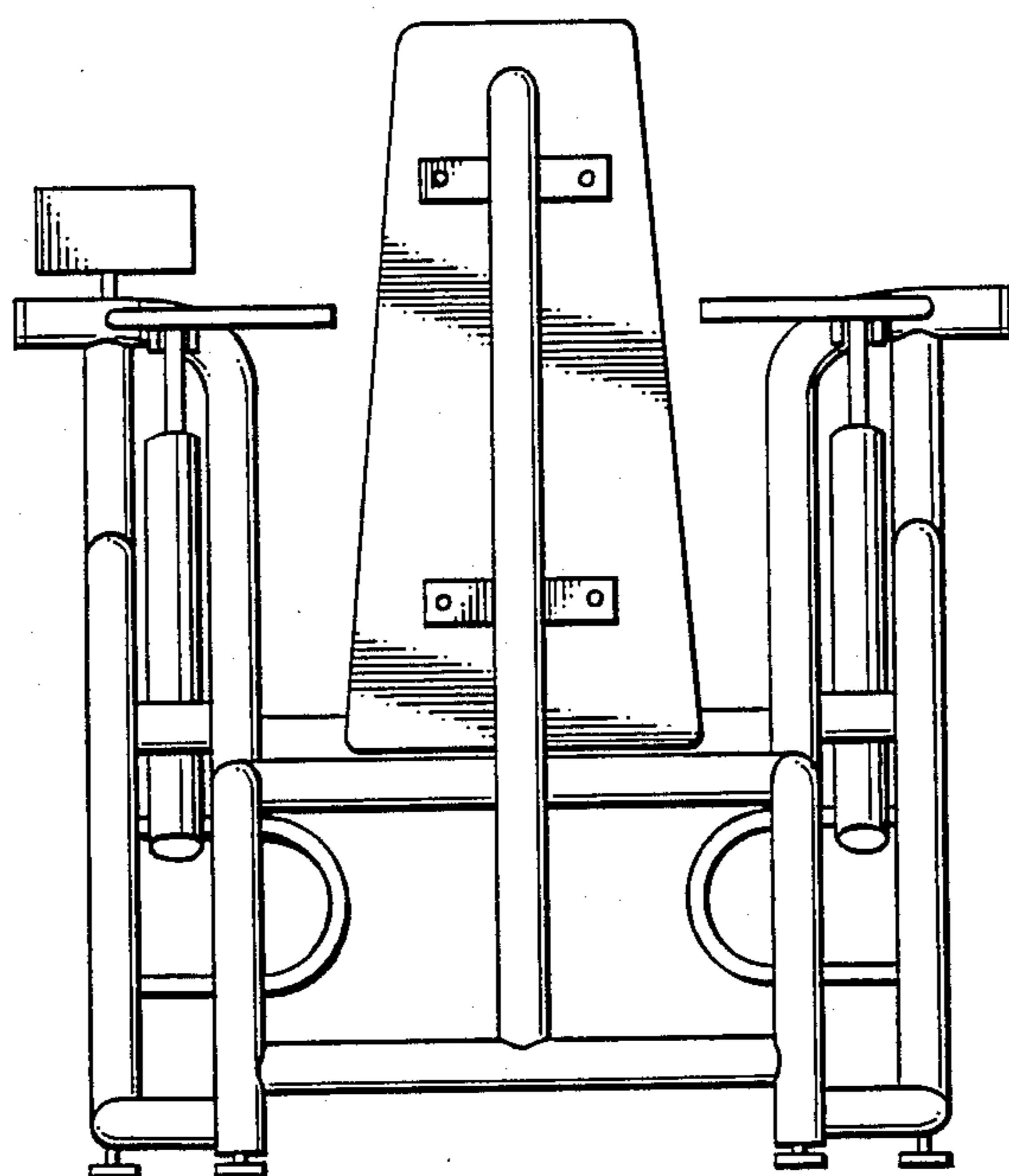


FIG. 2

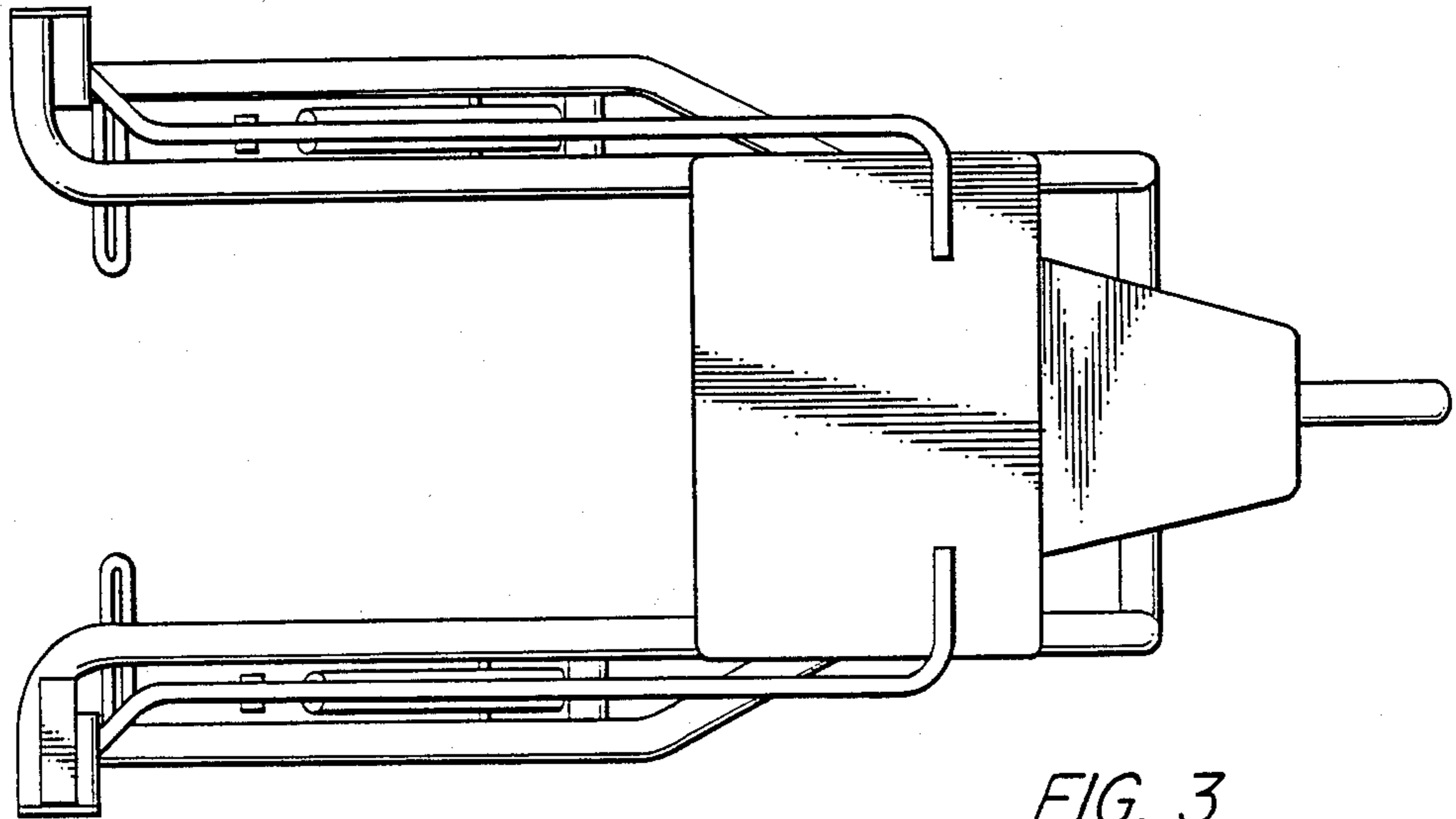


FIG. 3

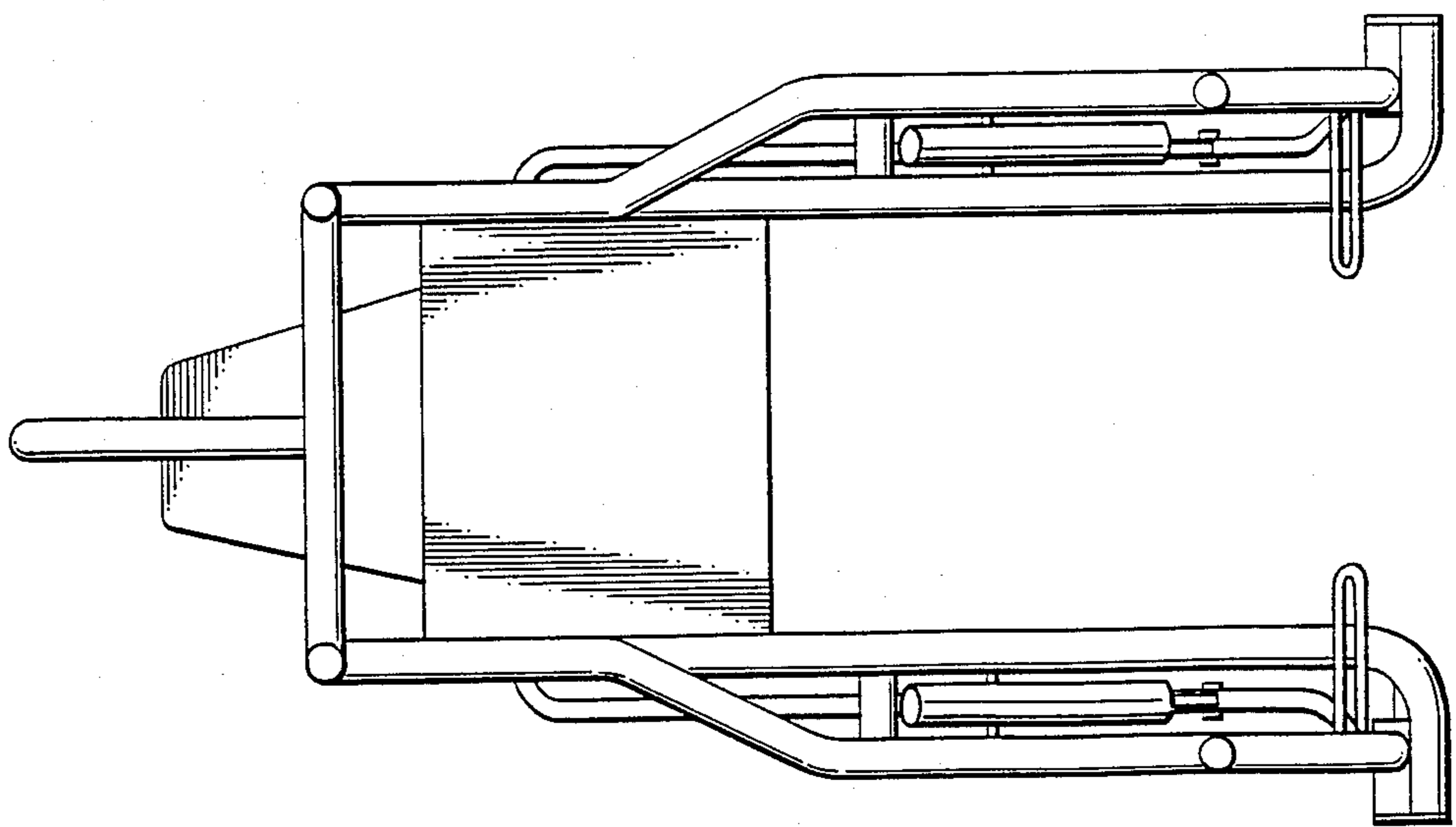


FIG. 4

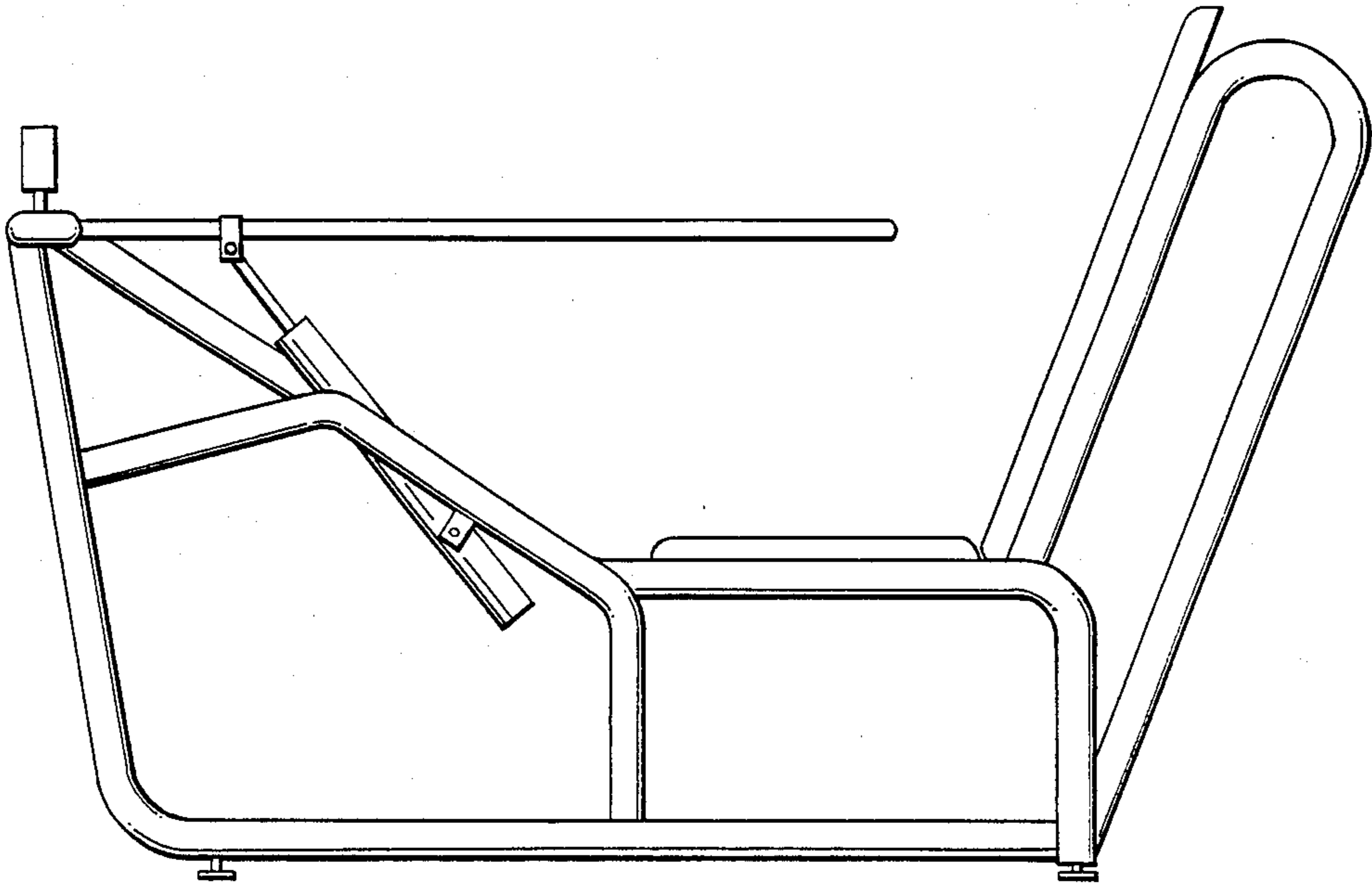


FIG. 5

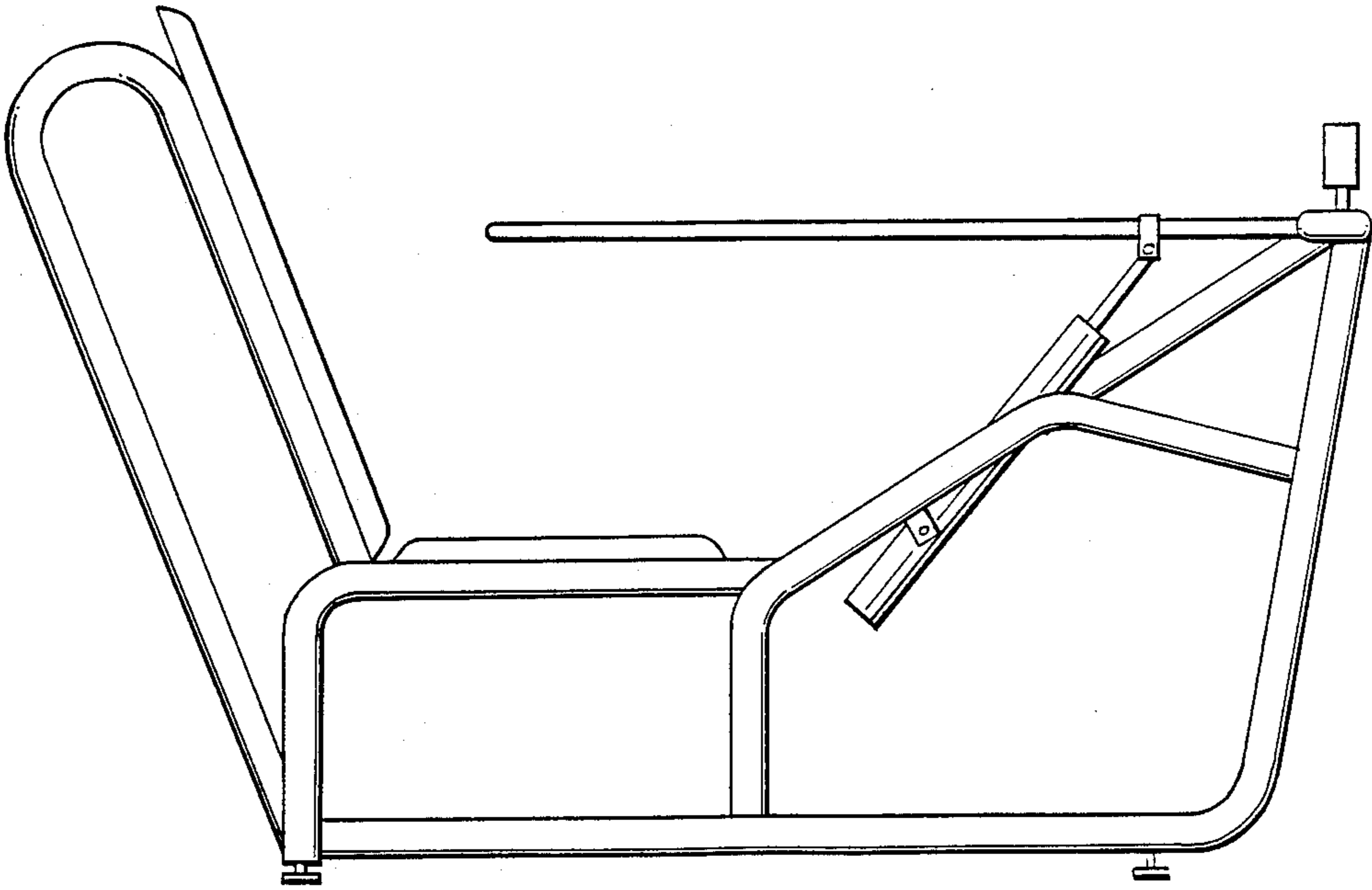


FIG. 6