

[54] **WATER SQUIRTING TOY**

[75] **Inventor: Barry Burlison, Santa Monica, Calif.**

[73] **Assignee: C & S Distributing Co., Culver City, Calif.**

[**] **Term: 14 Years**

[21] **Appl. No.: 20,495**

[22] **Filed: Mar. 2, 1987**

[52] **U.S. Cl. D21/145; D2/253; D21/240; D29/18**

[58] **Field of Search D21/145-147, D21/240; D2/514, 253, 512; D29/18; D16/103; 446/473, 20, 267, 475, 483; 222/79, 175; 239/153, 154**

[56] **References Cited**

U.S. PATENT DOCUMENTS

D. 272,865	3/1984	Edelmann	D2/253
D. 287,420	12/1986	Wada et al.	D2/512
3,318,482	5/1967	Vocz	222/79
4,393,519	7/1983	Nicastro	D2/514
4,768,681	9/1988	Dean et al.	446/473

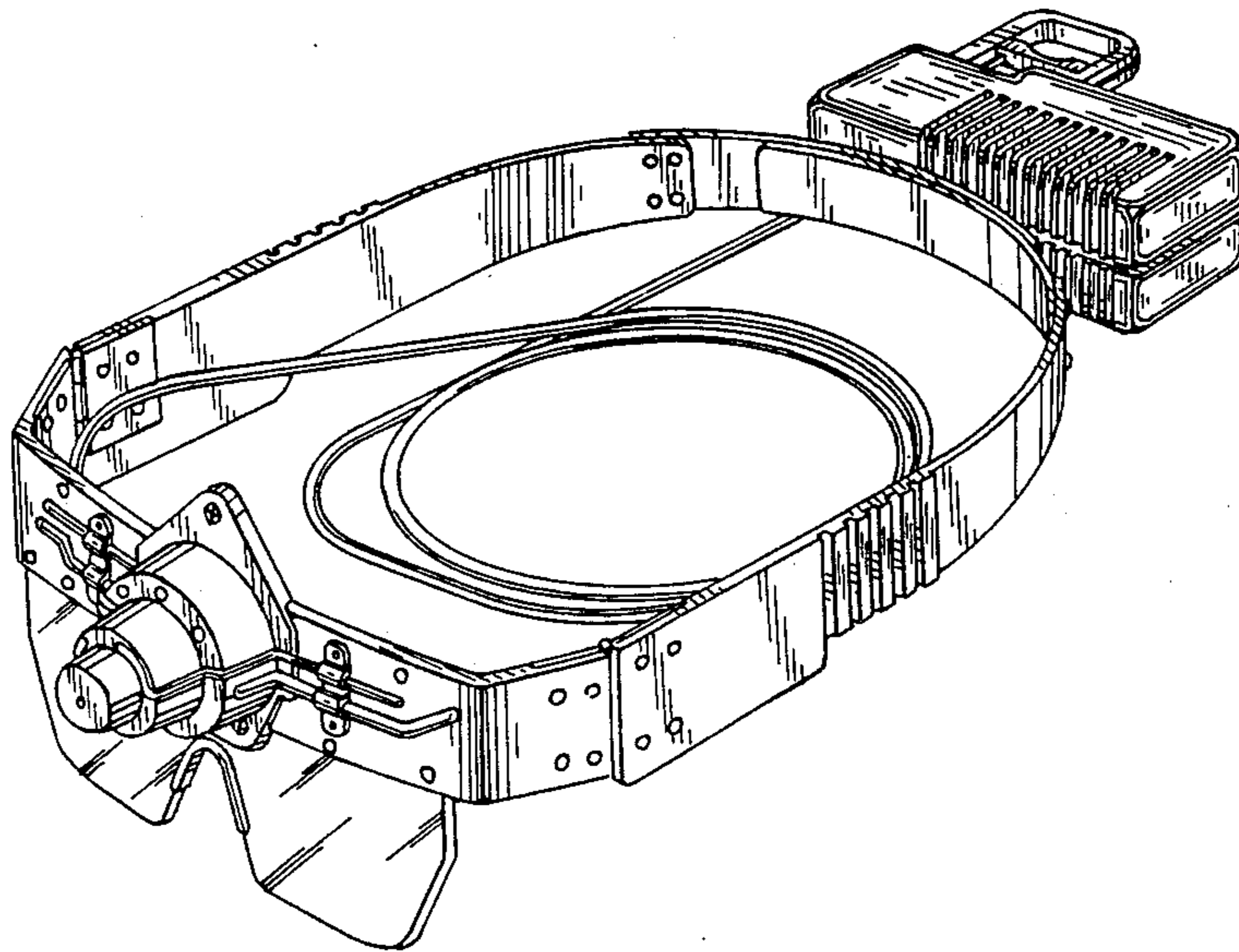
Primary Examiner—Charles A. Rademaker
Attorney, Agent, or Firm—Laff, Whitesel, Conte & Saret

[57] **CLAIM**

The ornamental design for a water squirting toy, as shown.

DESCRIPTION

FIG. 1 is a perspective view of a water squirting toy showing my new design;
FIG. 2 is a top plan view thereof;
FIG. 3 is a front elevational view thereof;
FIG. 4 is a right side elevational view thereof;
FIG. 5 is a left side elevational view thereof; and,
FIG. 6 is a rear elevational view thereof.



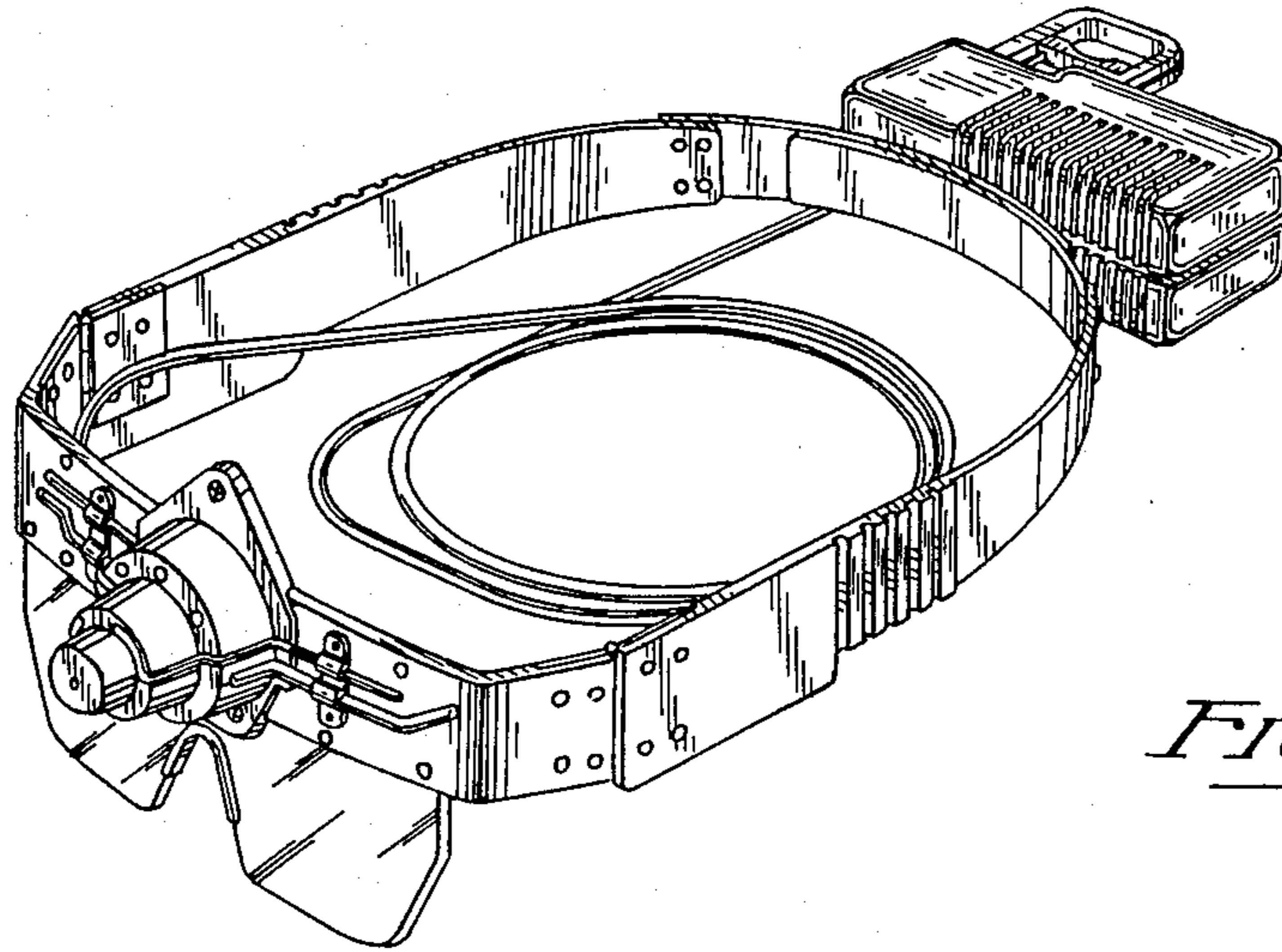


Fig. 1

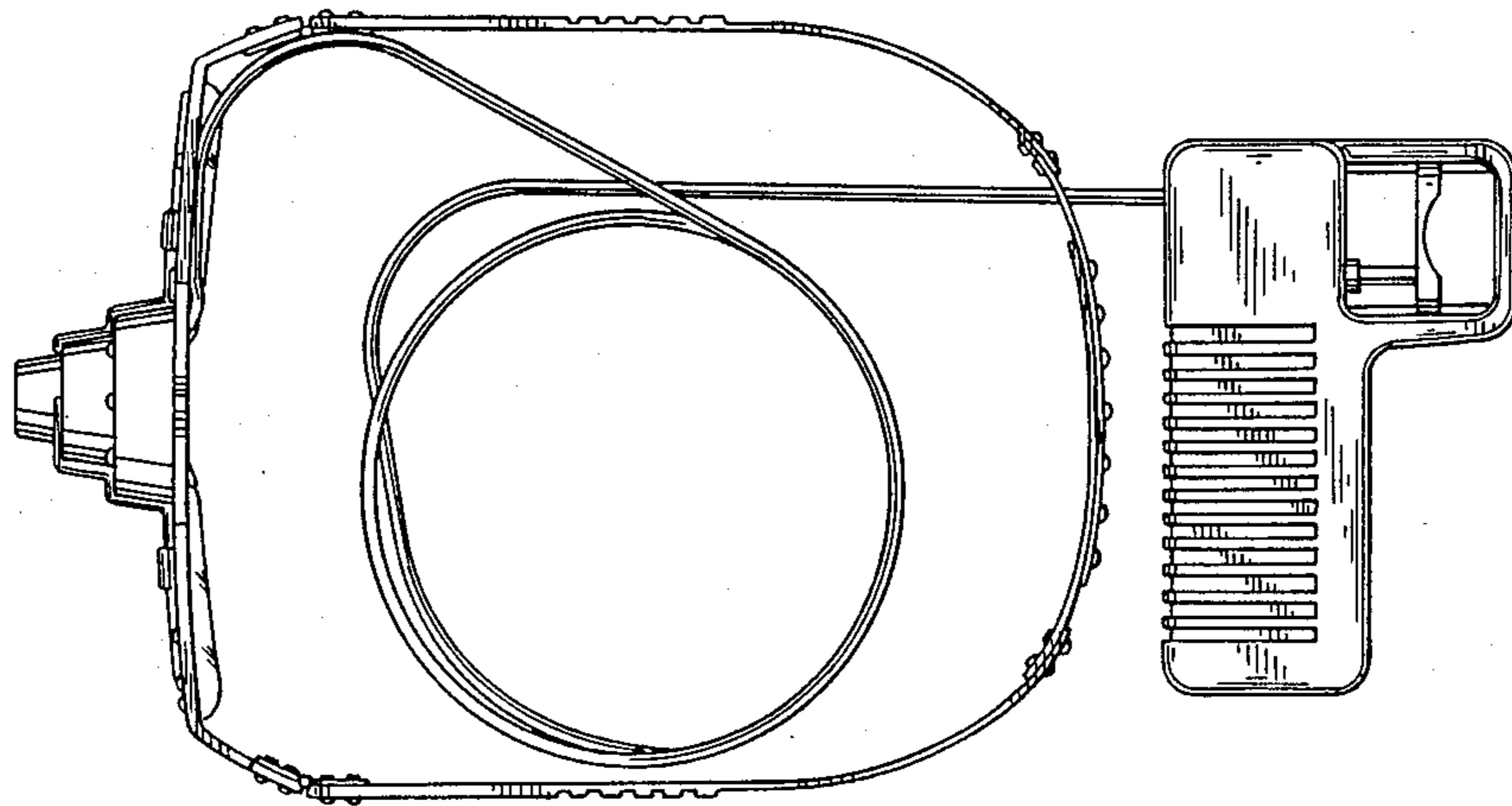


Fig. 2

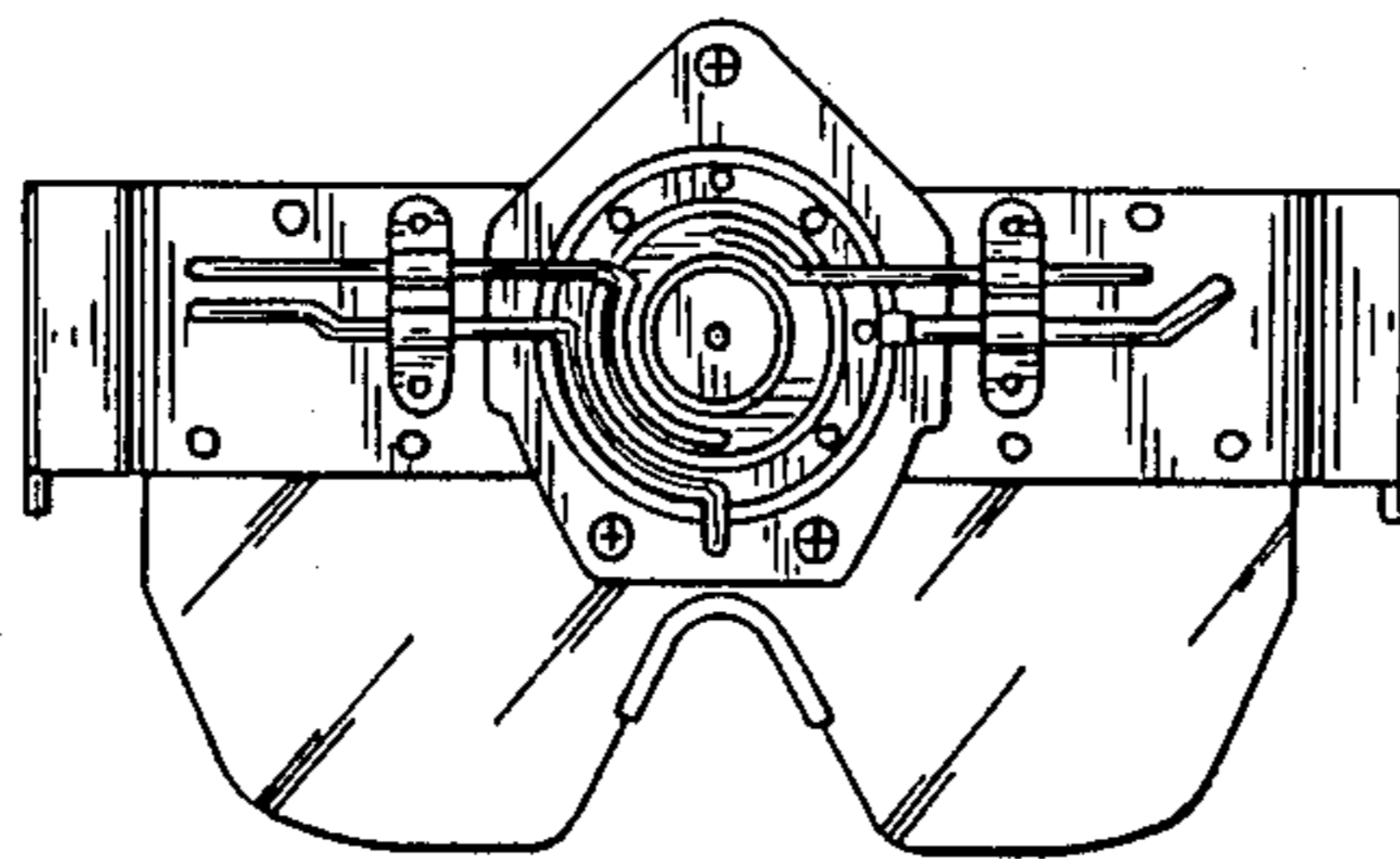


Fig. 3

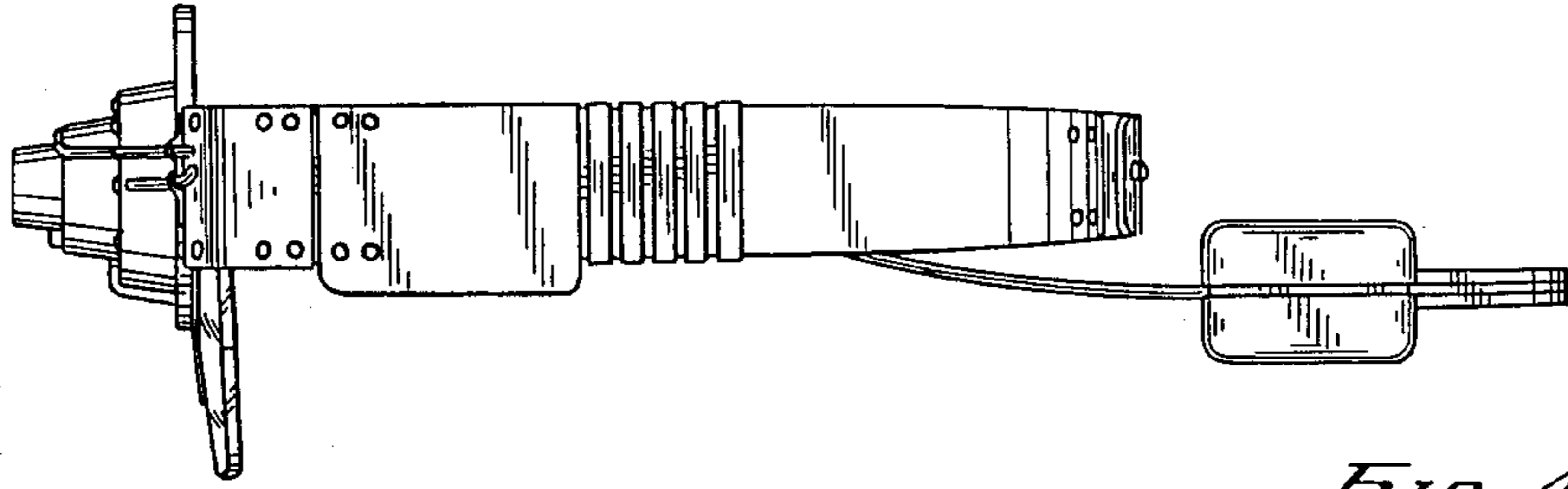


Fig. 4

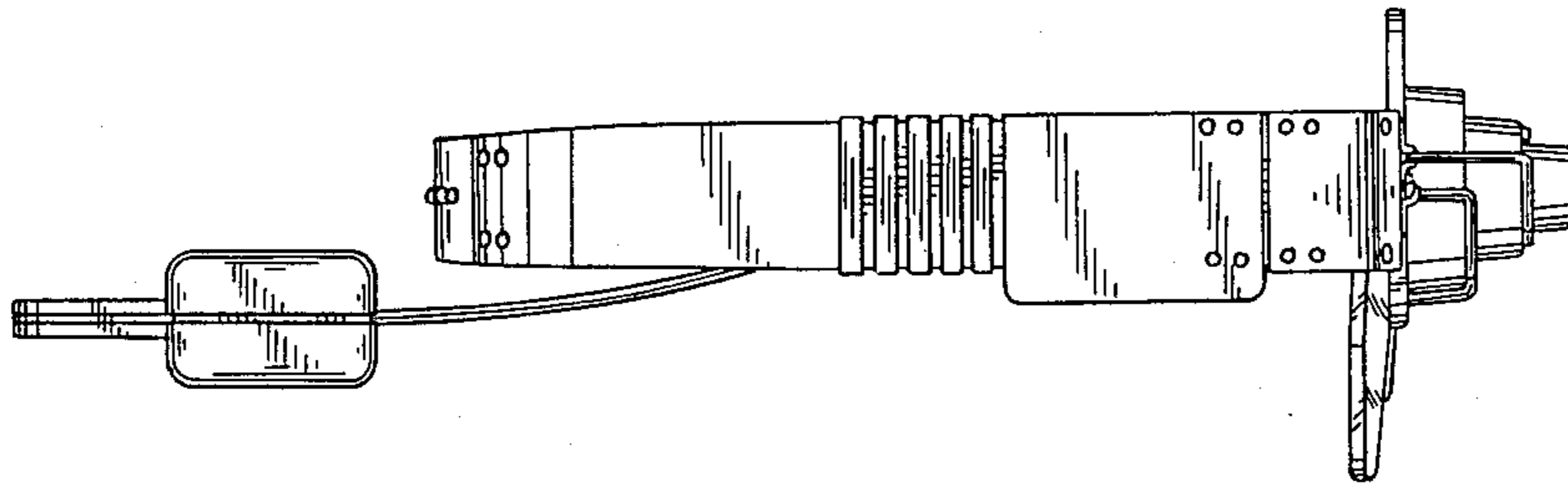


Fig. 5

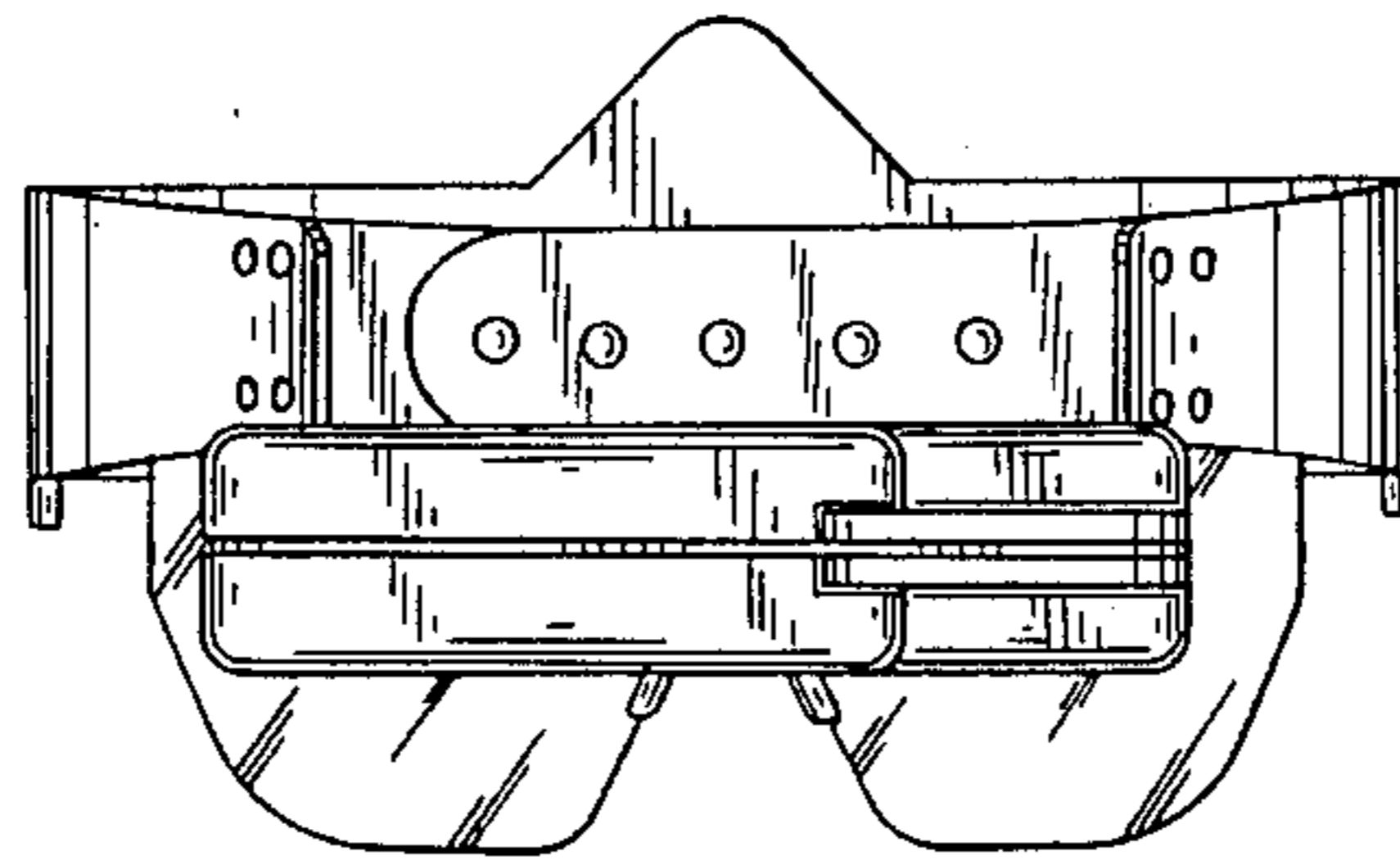


Fig. 6