

[54] PUZZLE TOY

[76] Inventor: Harrison R. Thompson, 306 Southwood Dr., Columbia, S.C. 29205

[**] Term: 14 Years

[21] Appl. No.: 874,360

[22] Filed: Jun. 13, 1986

[52] U.S. Cl. D21/104

[58] Field of Search D21/59, 104, 107, 108, D21/240; 273/153 R, 155, 160; 446/85, 487

[56] References Cited

U.S. PATENT DOCUMENTS

2,245,875	6/1941	Rutherford	D21/107
3,085,963	4/1963	Martin	273/160
3,977,683	8/1976	Tomura	446/487
4,778,184	10/1988	Fleischer	446/490

FOREIGN PATENT DOCUMENTS

2084471 4/1982 United Kingdom D21/107

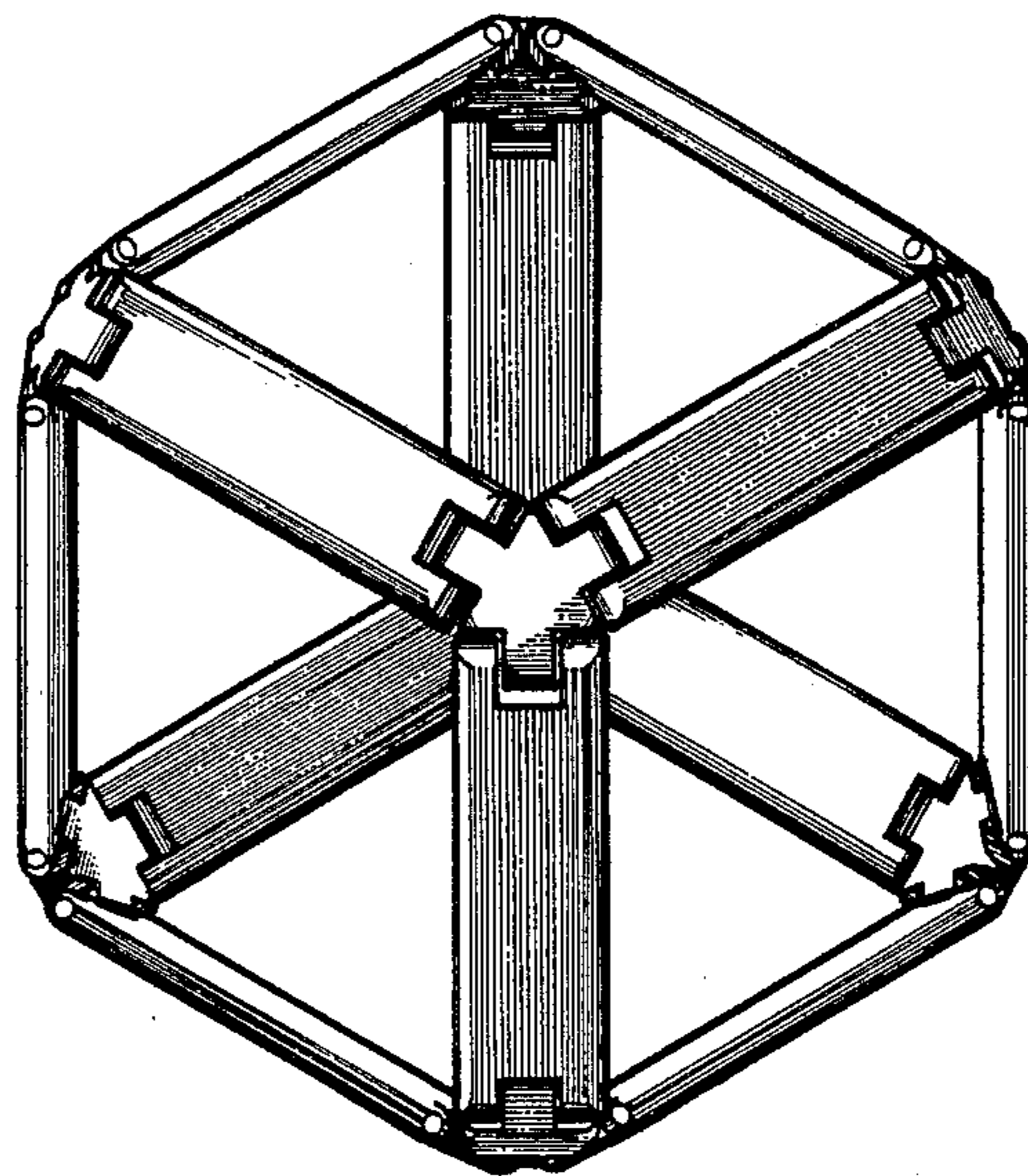
Primary Examiner—Charles A. Rademaker
Assistant Examiner—Alicia A. Farrell
Attorney, Agent, or Firm—Hurt, Richardson, Garner, Todd & Cadenhead

[57] CLAIM

The ornamental design for a puzzle toy, as shown and described.

DESCRIPTION

FIG. 1 is a front perspective view of a puzzle toy showing my new design;
FIG. 2 is a side elevational view thereof, the other sides being identical;
FIG. 3 is a perspective view of the design shown in FIGS. 1 and 2 in a collapsed condition;
FIG. 4 is a side elevational view thereof, the other sides being identical;
FIG. 5 is a top plan view thereof; and,
FIG. 6 is a bottom plan view thereof.



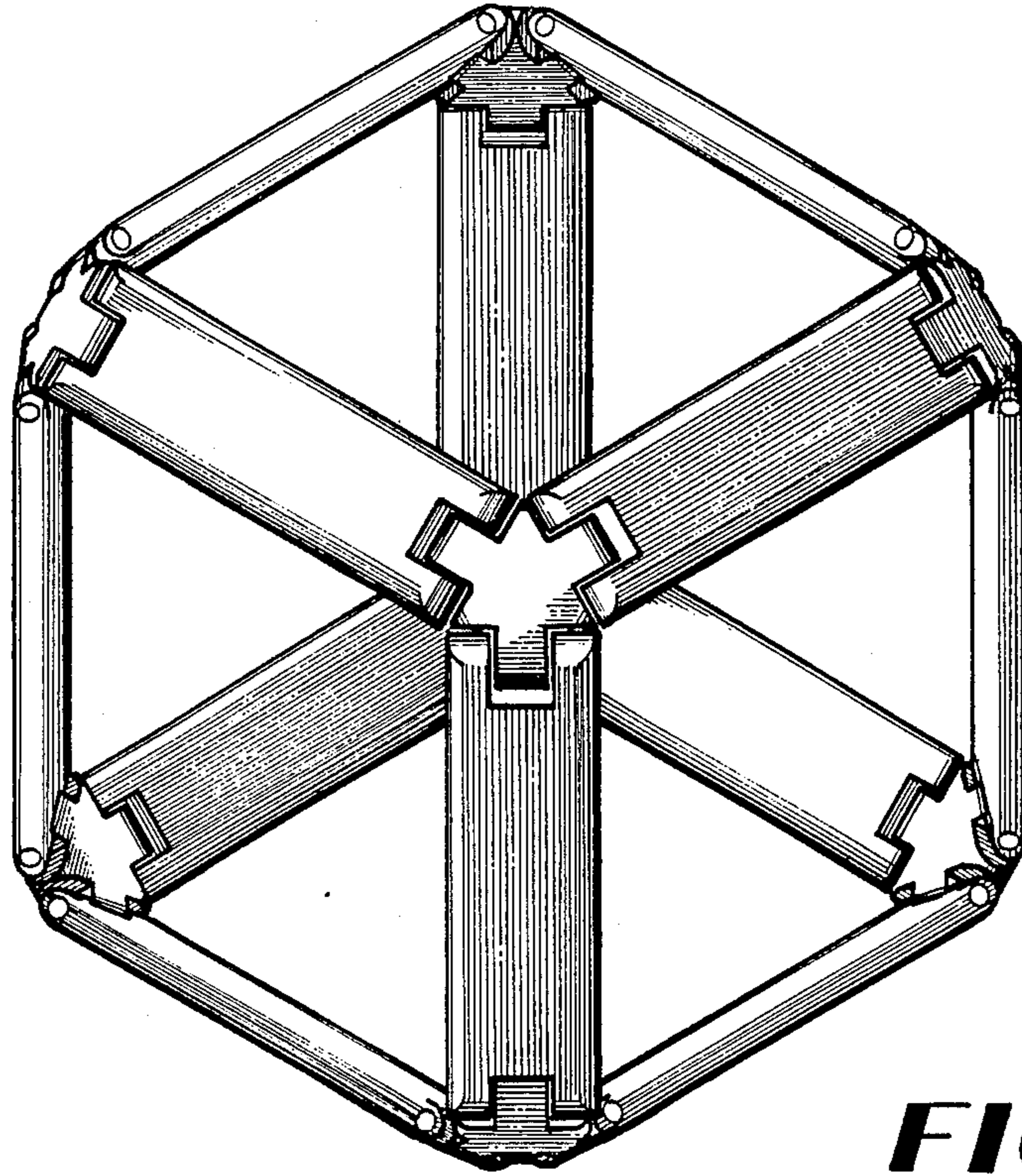


FIG 1

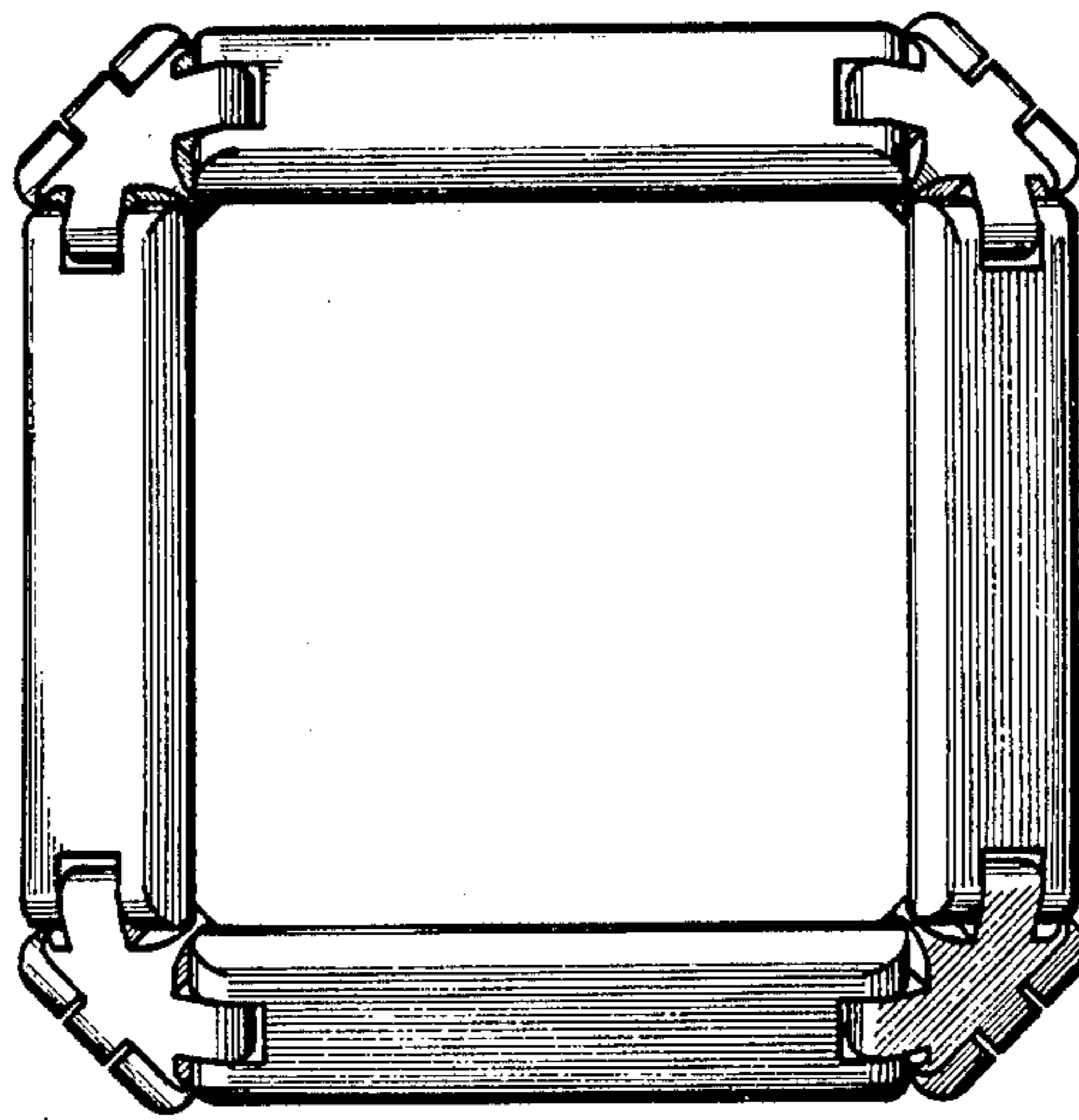


FIG 2

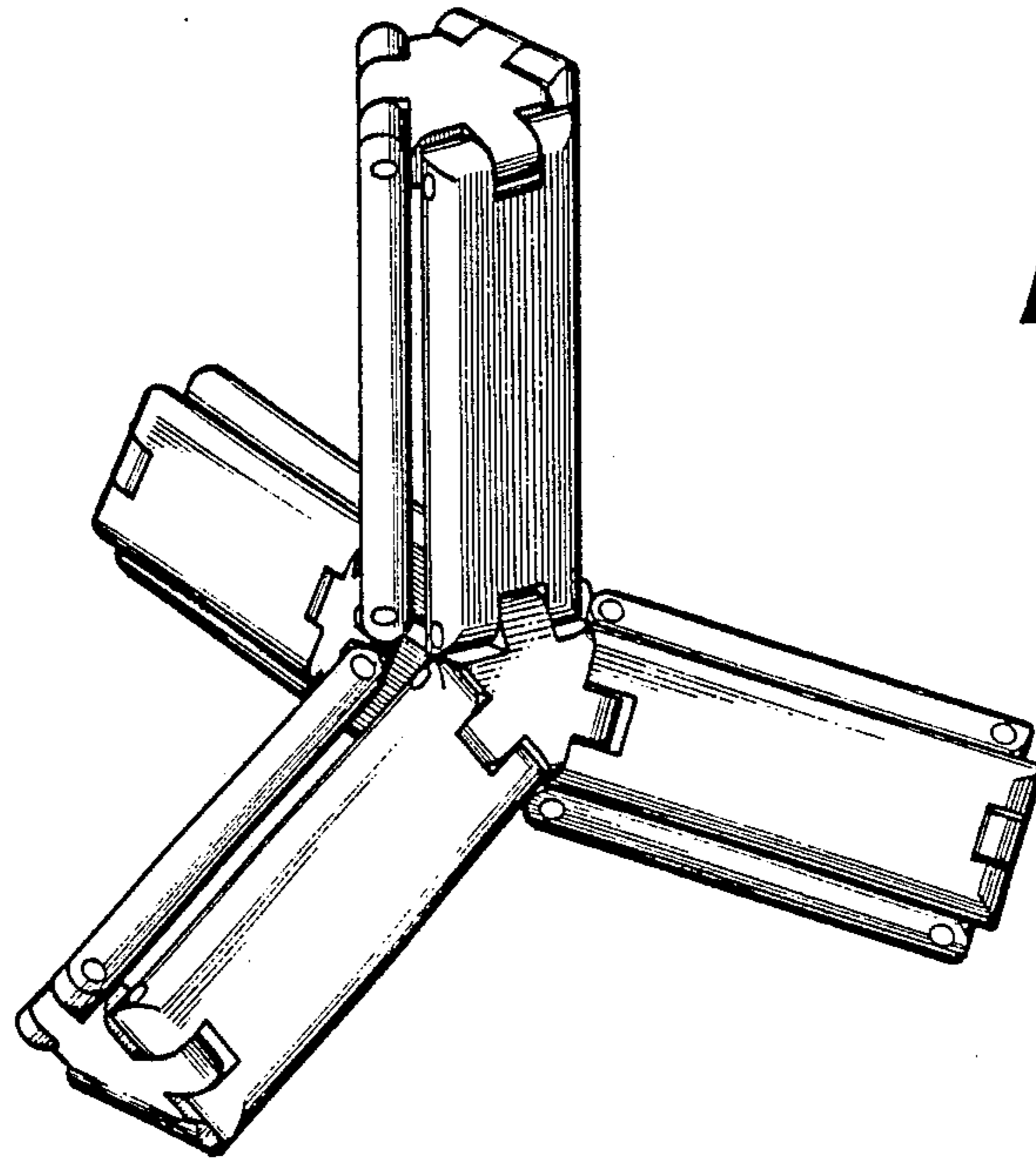


FIG 3

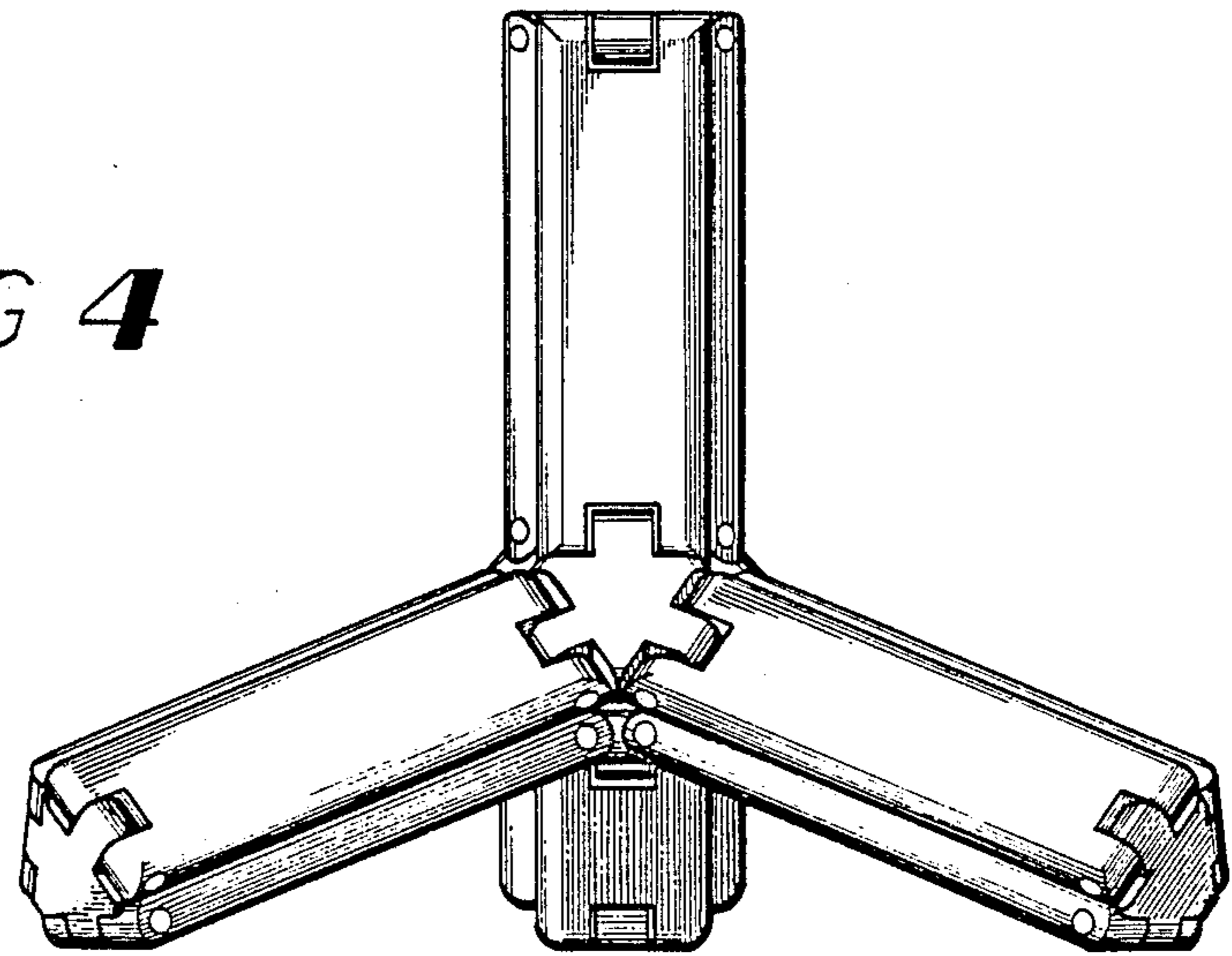


FIG 4

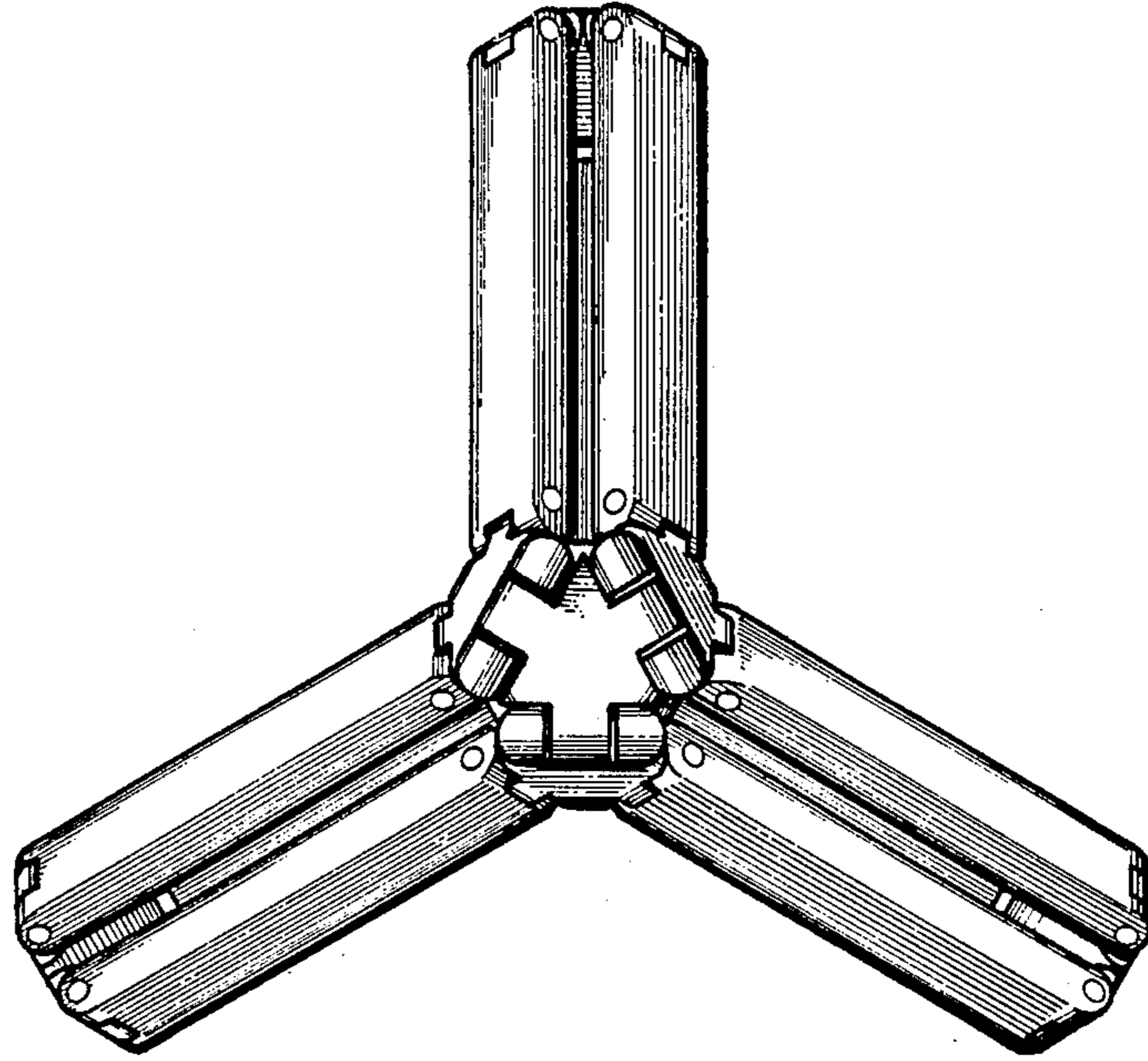


FIG 5

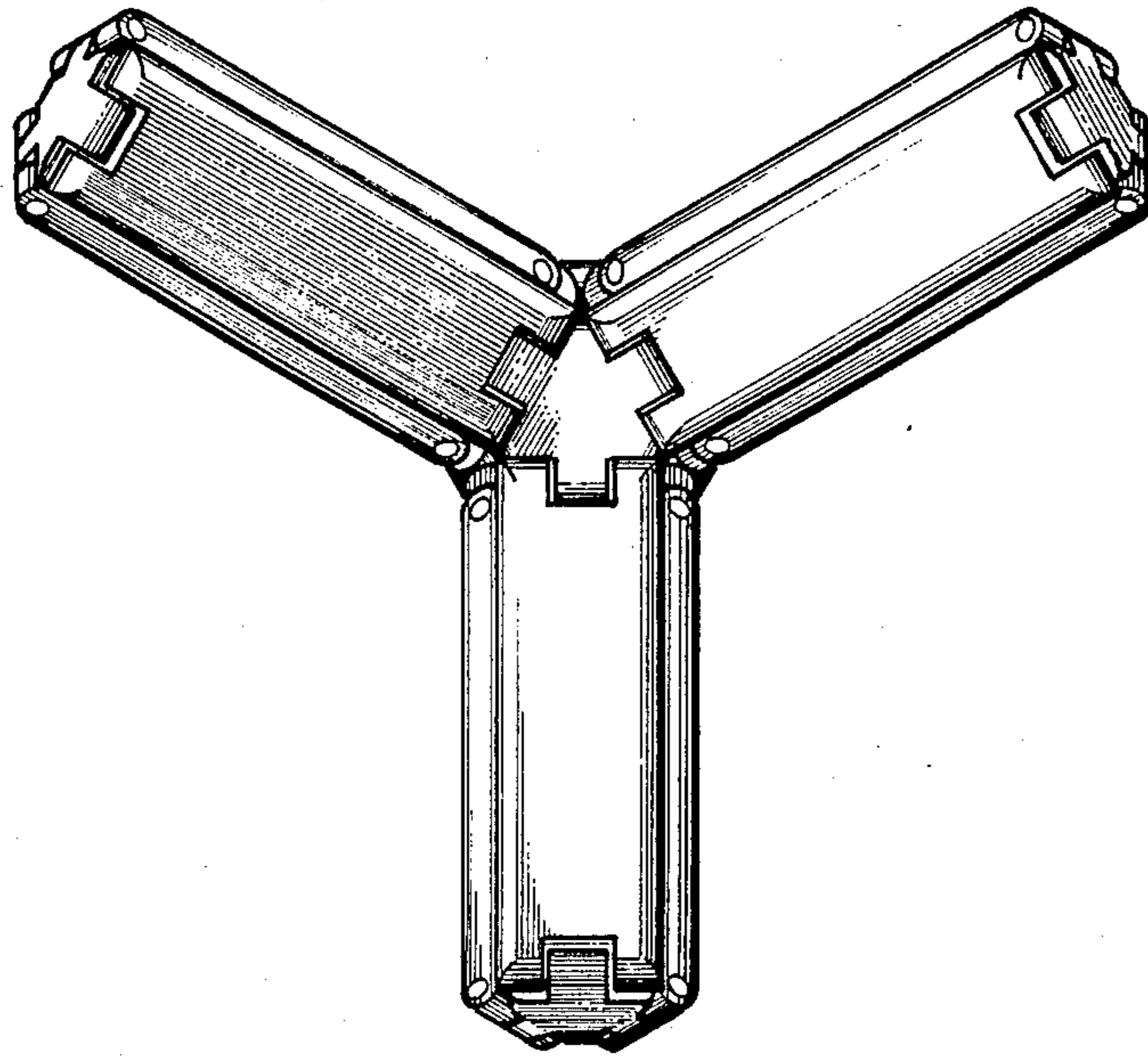


FIG 6