

[54] TOY VEHICLE

[75] Inventors: Shinroku Nakao, Kanagawa; Yoshiyasu Ishii; Susumu Matsumoto, both of Tokyo, all of Japan

[73] Assignee: Combi Co., Ltd., Tokyo, Japan

[**] Term: 14 Years

[21] Appl. No.: 932,533

[22] Filed: Nov. 19, 1986

[30] Foreign Application Priority Data

May 19, 1986 [JP] Japan 61-18786

[52] U.S. Cl. D21/74; D21/78

[58] Field of Search D21/71, 73, 74, 76, D21/77, 78, 80; 280/1.12, 1.13, 1.21, 1.22, 87.01, 87.05

[56] References Cited

U.S. PATENT DOCUMENTS

D. 246,481 11/1977 Nakao D21/78

D. 250,851	1/1979	Nakao et al.	D21/74
D. 252,652	8/1979	Nakao et al.	D21/74
D. 252,829	9/1979	Nakao et al.	D21/74
D. 267,259	12/1982	Nakao et al.	D21/78
D. 293,329	12/1987	Nakao et al.	D21/78

Primary Examiner—Charles A. Rademaker
Assistant Examiner—Alicia A. Farrell
Attorney, Agent, or Firm—Sughrue, Mion, Zinn, Macpeak & Seas

[57] CLAIM

The ornamental design for a toy vehicle, as shown.

DESCRIPTION

FIG. 1 is a front, top and right side perspective view of a toy vehicle showing our new design;
FIG. 2 is a front elevational view thereof;
FIG. 3 is a rear elevational view thereof;
FIG. 4 is a top plan view thereof;
FIG. 5 is a bottom plan view thereof;
FIG. 6 is a left side elevational view thereof; and
FIG. 7 is a right side elevational view thereof.

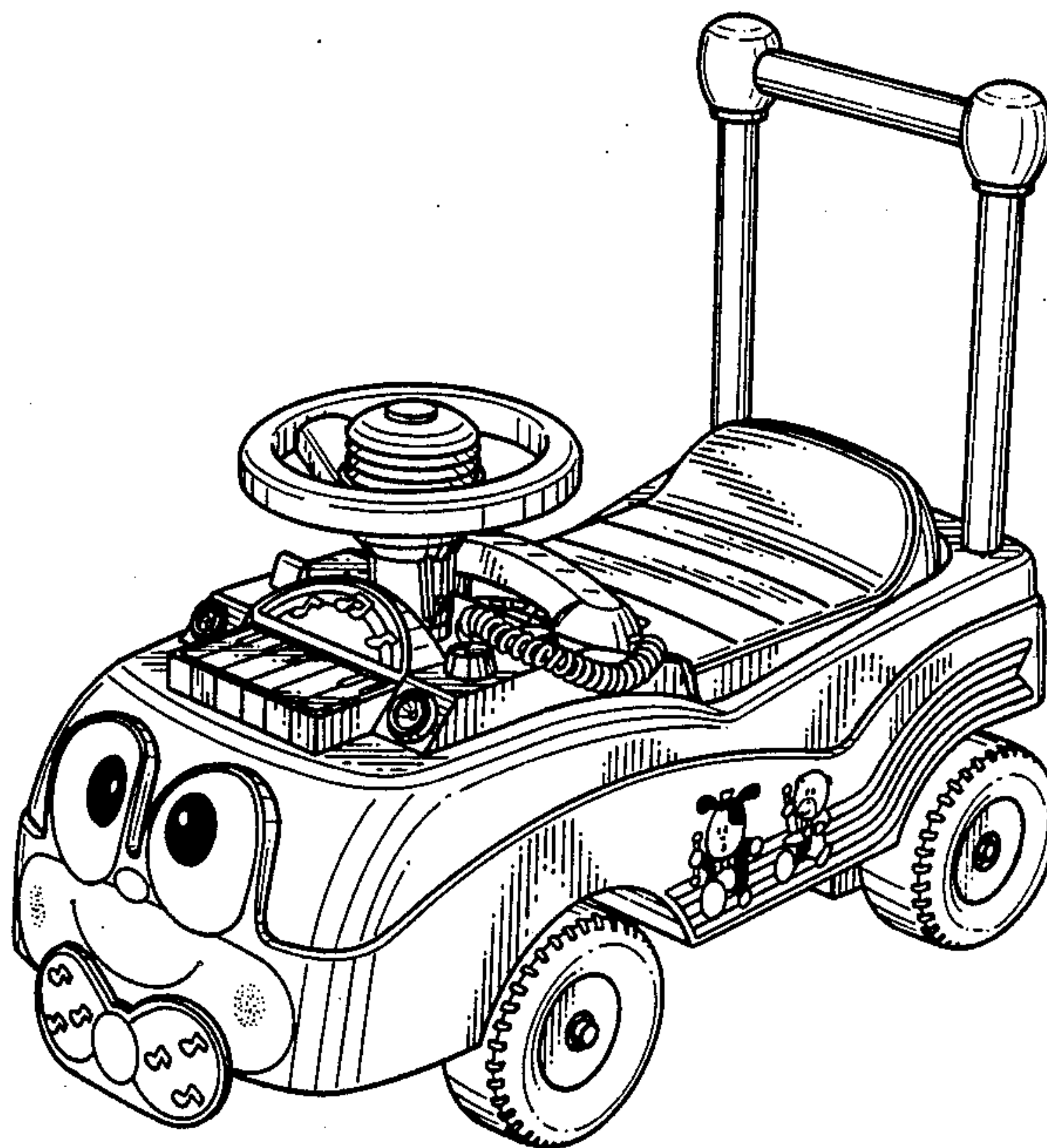


Fig. 1

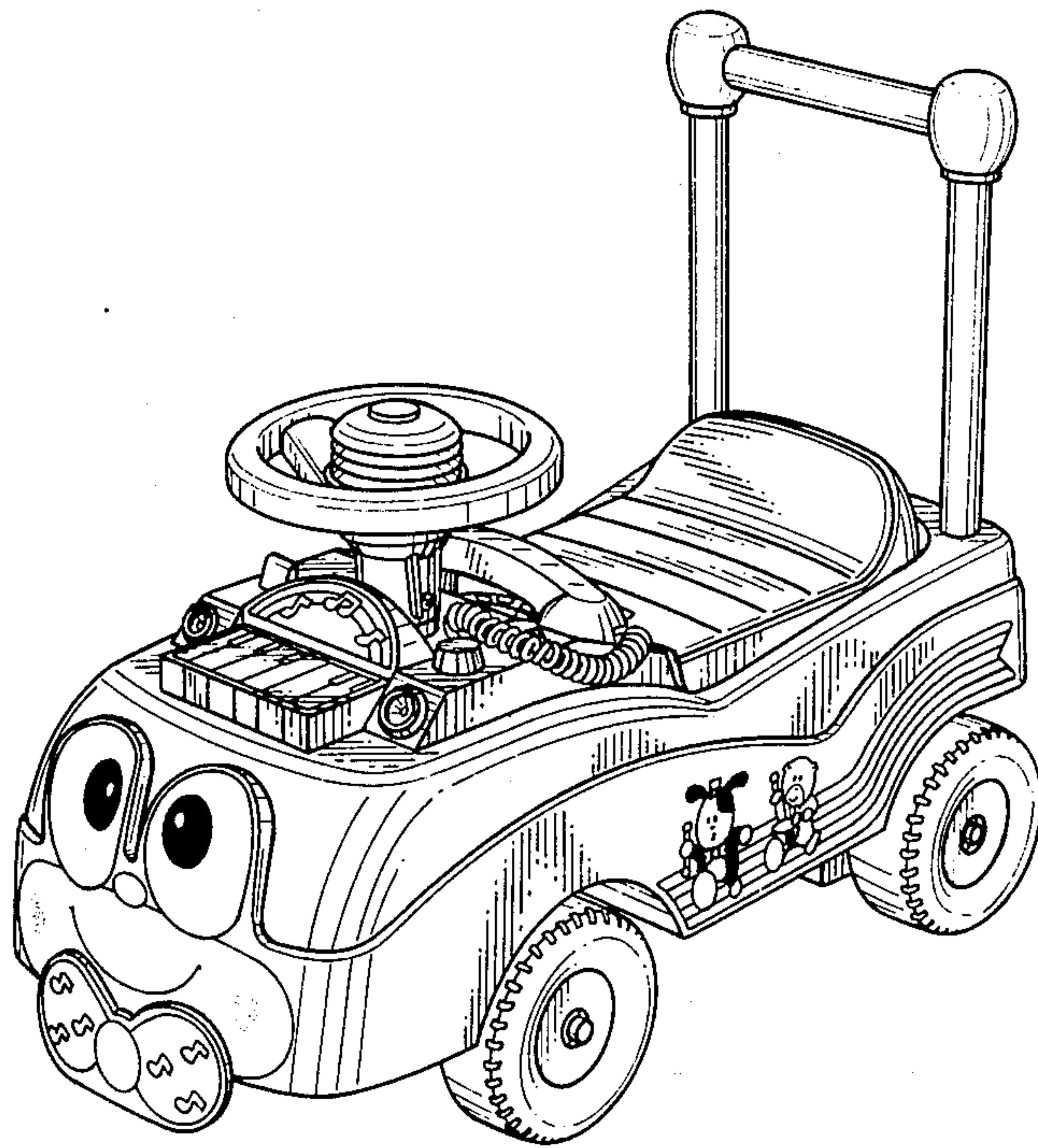


Fig. 2

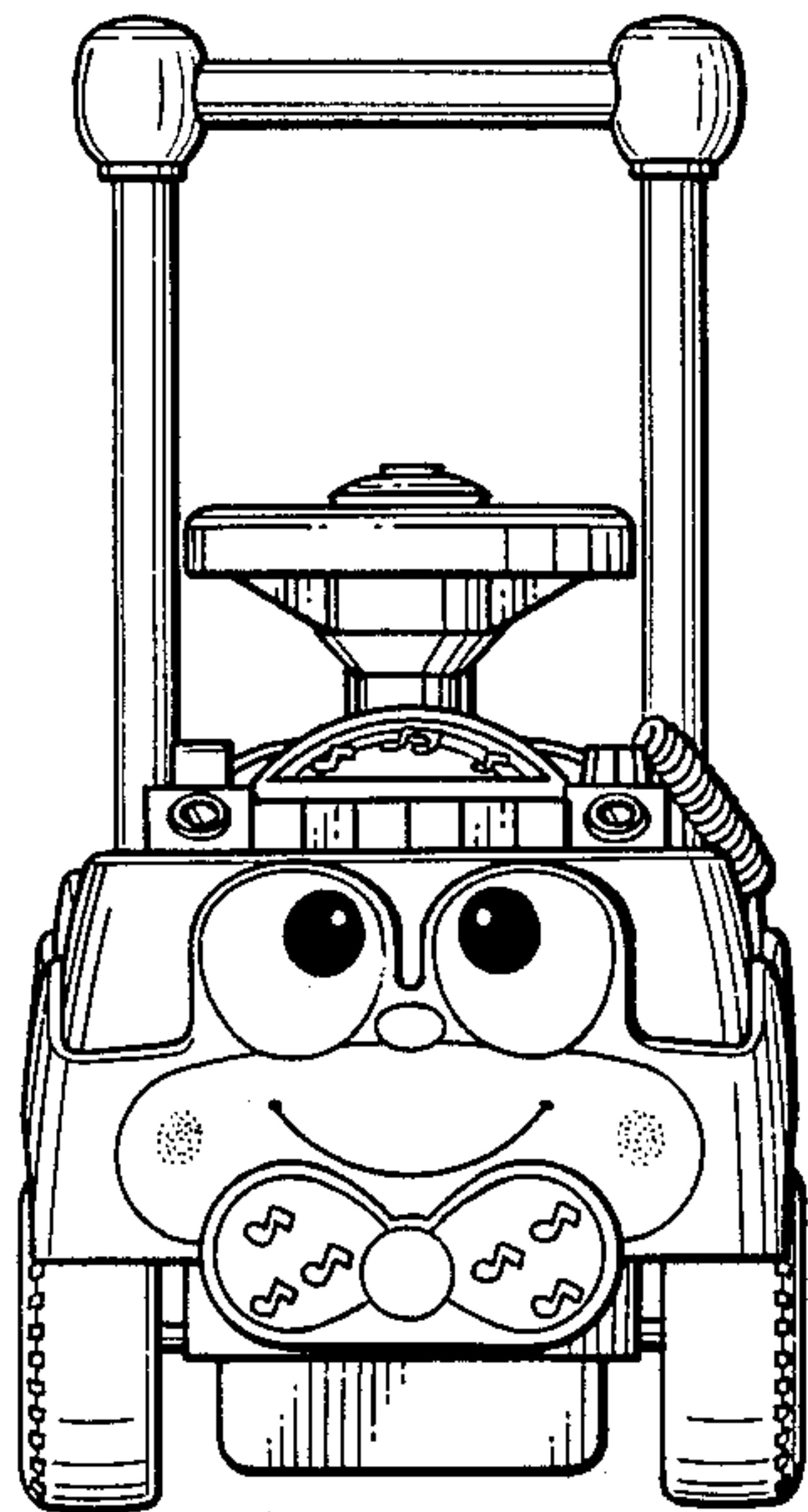


Fig. 3

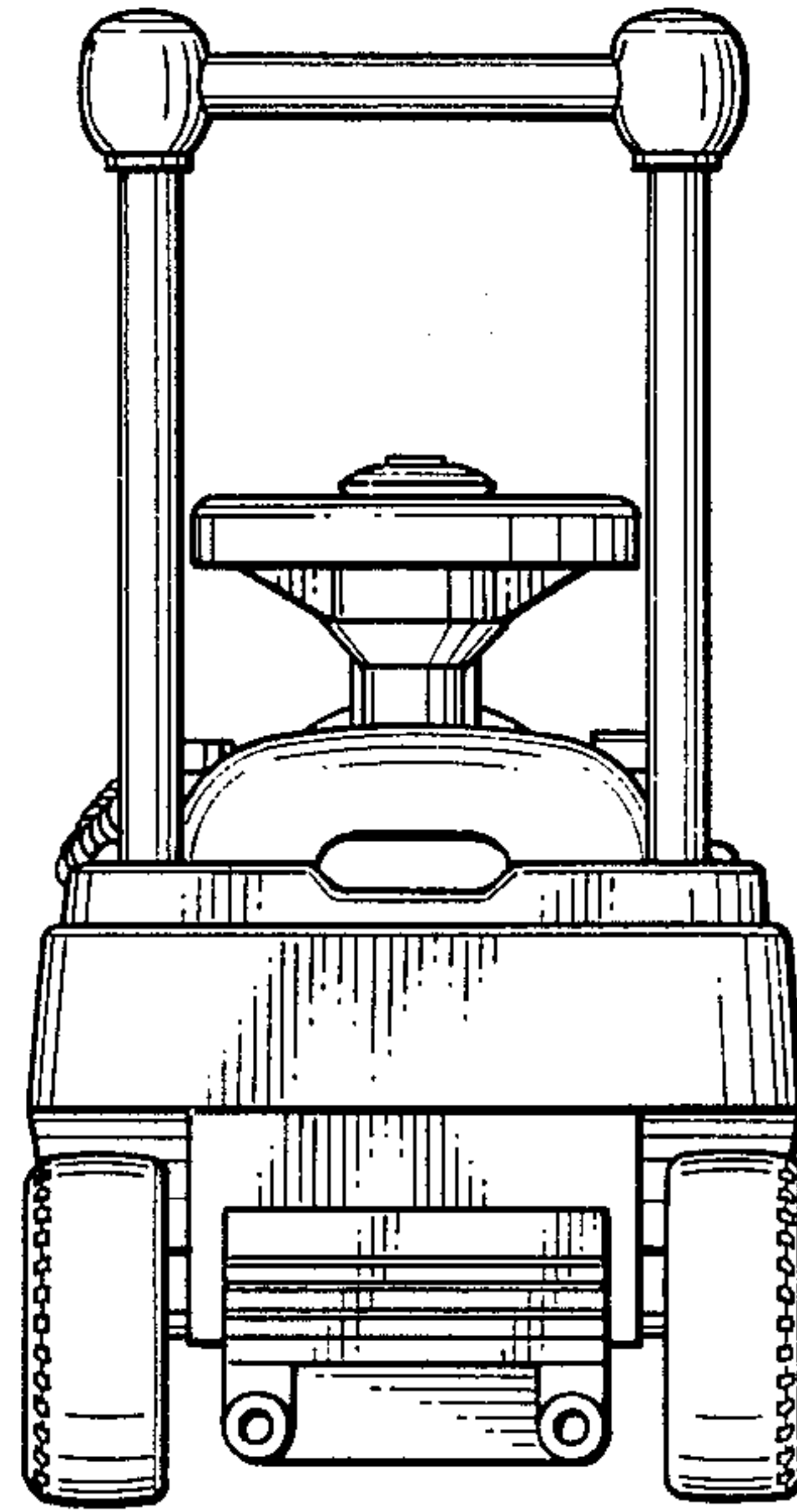


Fig. 4

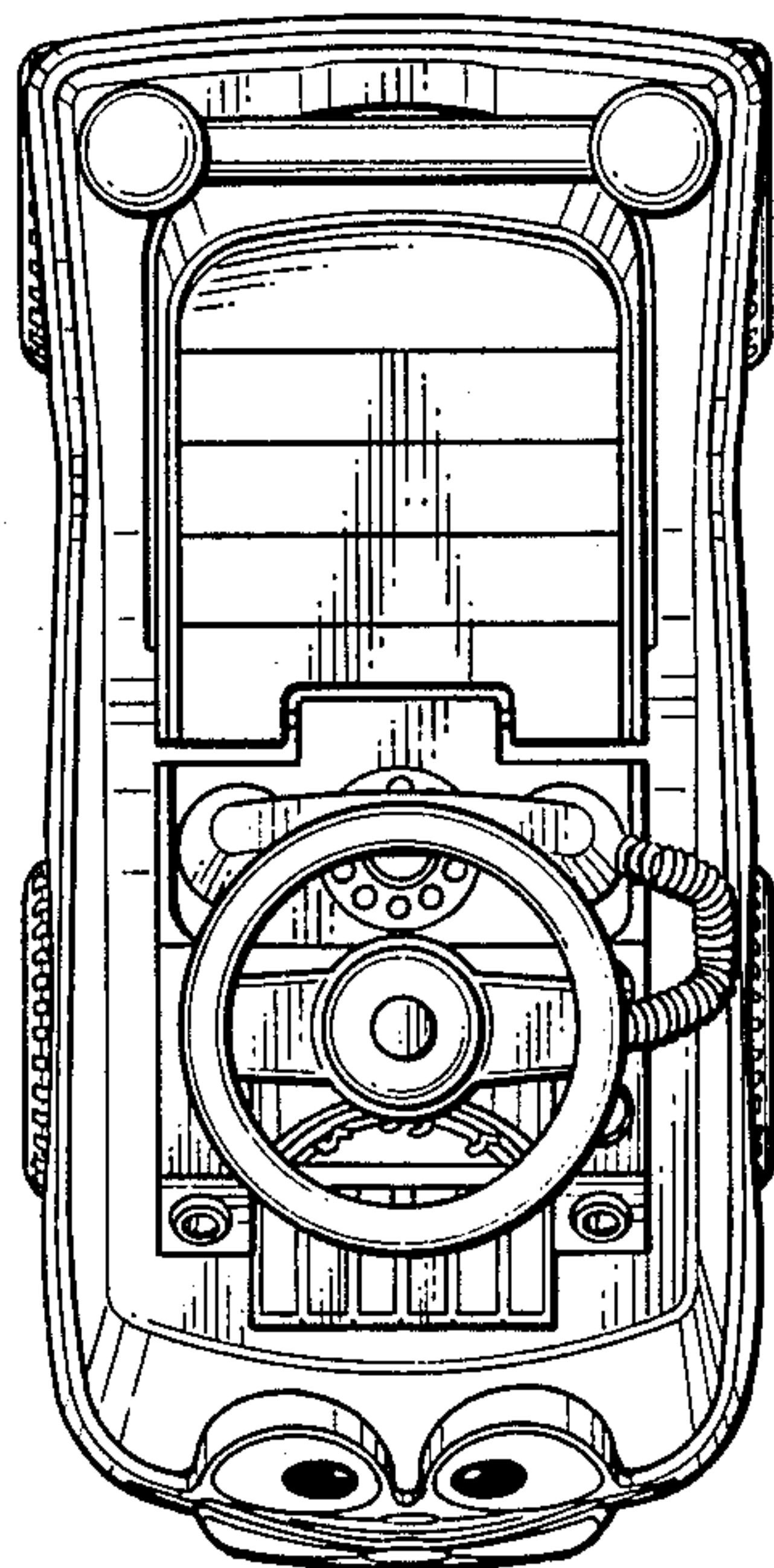


Fig. 5

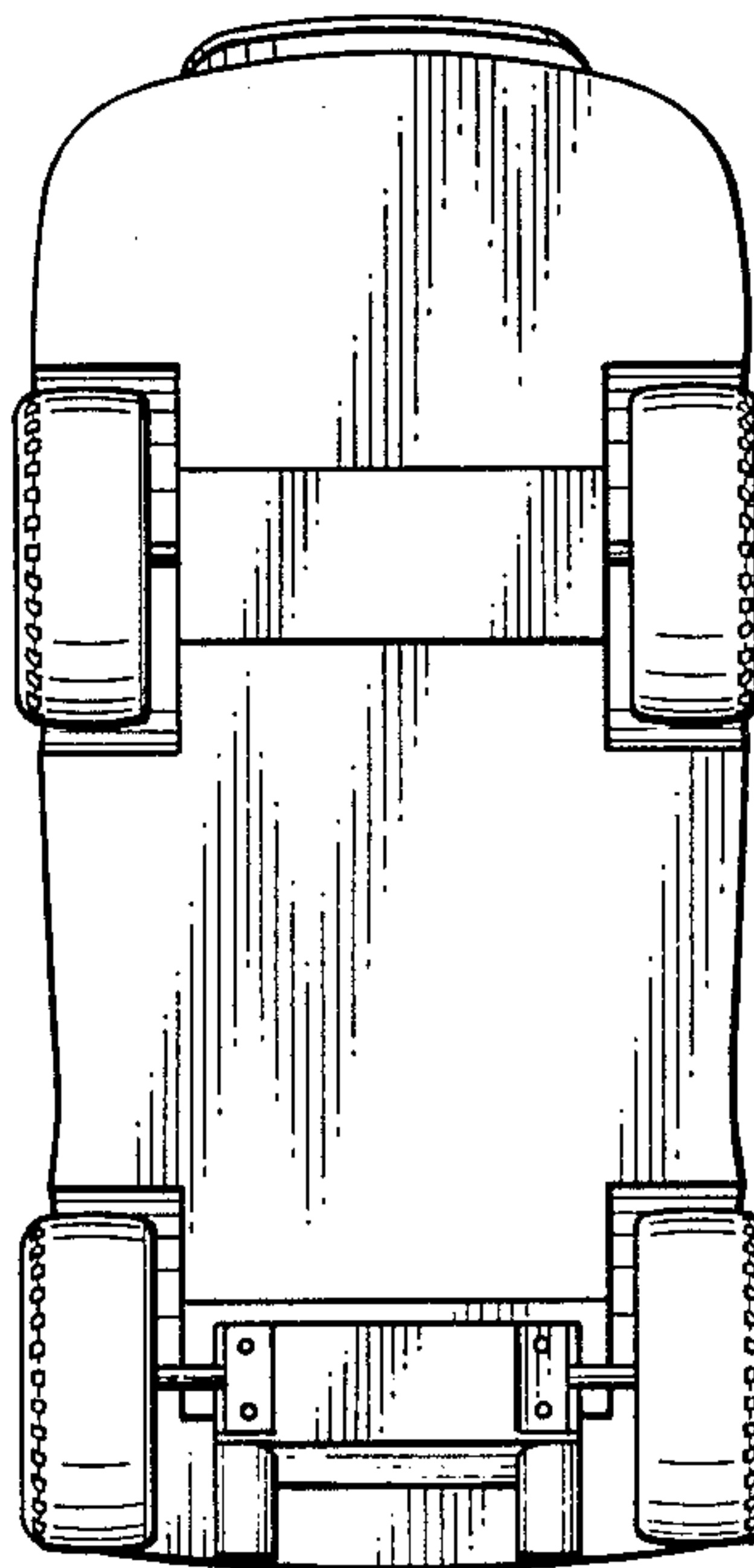


Fig. 6

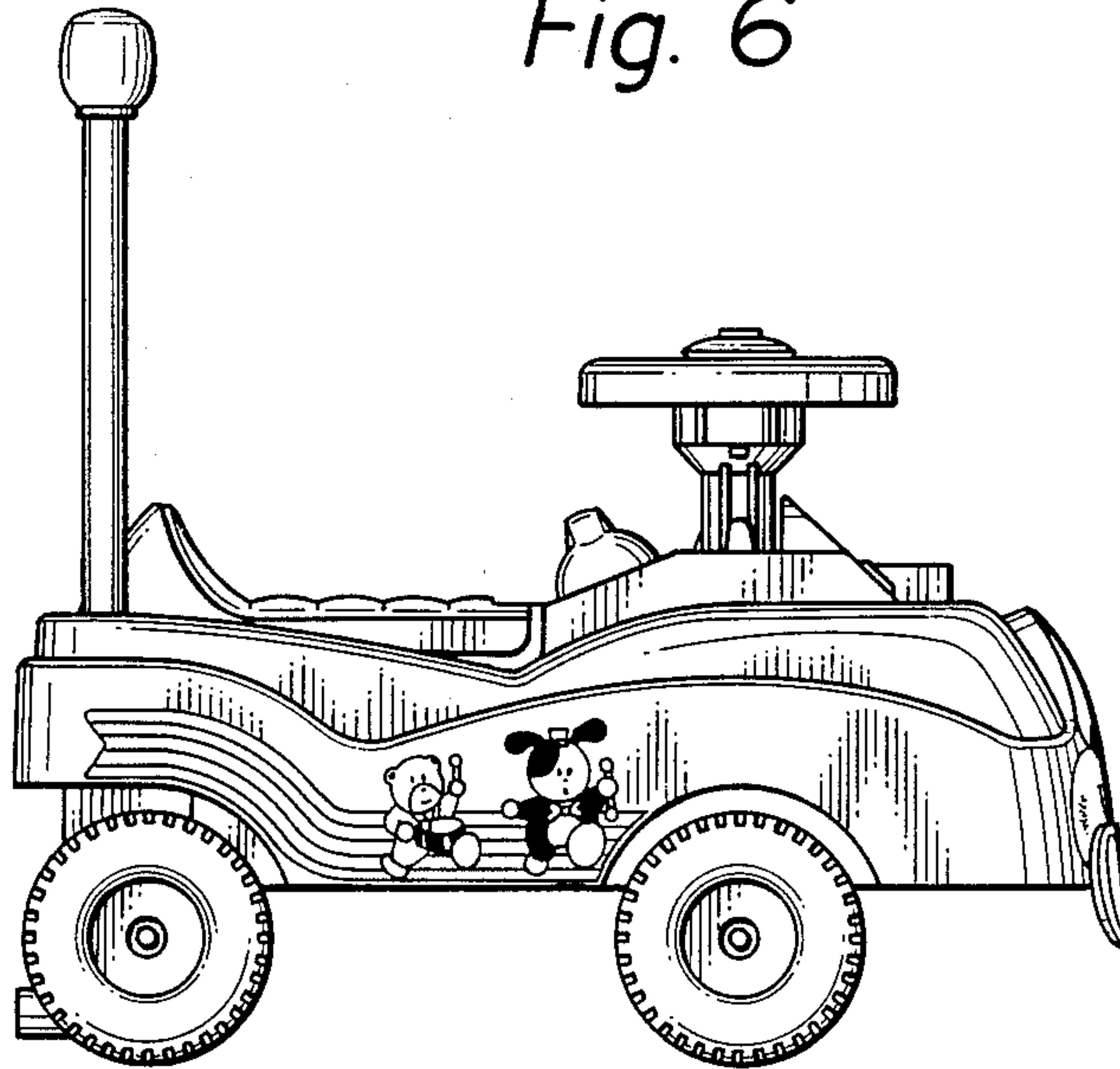


Fig. 7

