

[54] LETTER TRAY

[76] Inventors: Kenneth C. Foran, 2209 E. Smithville-Western Rd., Wooster, Ohio 44691; Thomas J. David, 140 E. North St., Worthington, Ohio 43085

[**] Term: 14 Years

[21] Appl. No.: 894,159

[22] Filed: Aug. 7, 1986

[52] U.S. Cl. D19/92; D19/86; D19/75

[58] Field of Search D19/65, 75, 77, 78, D19/86, 92; D7/37, 38; D34/40, 46; 206/214, 425, 503, 505-511; 211/13, 50, 55, 126, 69.1

[56] References Cited

U.S. PATENT DOCUMENTS

D. 267,414 12/1982 Tyke D19/92
1,890,143 5/1930 Bales 206/449

OTHER PUBLICATIONS

Catalog p. 9, Lion Office Products, Inc., 401 W. Alondra Blvd., Gardena, Calif. 90248, Publ.-1986.
Catalog Page, Sterling Plastics Inc., Sheffield Street, Mountainside, N.J. 07092, Publ. Date-1985.
Catalog Page, M. Myers & Son, P.O. Box 16, Oldbury Warley, West Midland, England, Date-1985.
Catalog p. 3, W. T. Rogers Company, 1401 W. Badger Road, P.O. Box 4327, Date-1985.

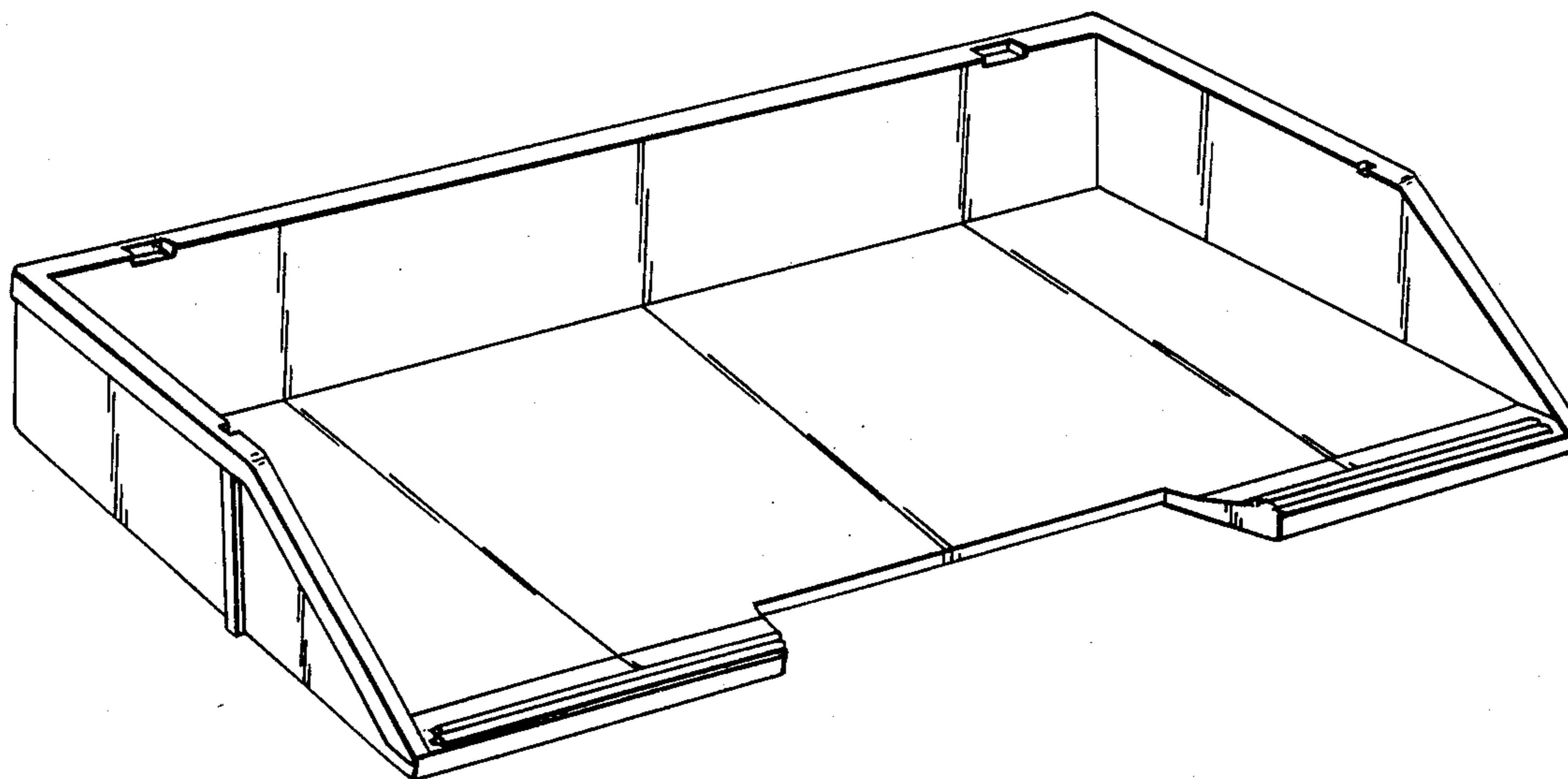
Primary Examiner—Bruce W. Dunkins
Assistant Examiner—Martha K. Thompson

[57] CLAIM

The ornamental design for a letter tray, as shown.

DESCRIPTION

FIG. 1 is a front perspective view of a letter tray showing our new design;
FIG. 2 is a top plan view;
FIG. 3 is a front elevational view;
FIG. 4 is a side elevational view;
FIG. 5 is a rear elevational view; and
FIG. 6 is a bottom plan view thereof.



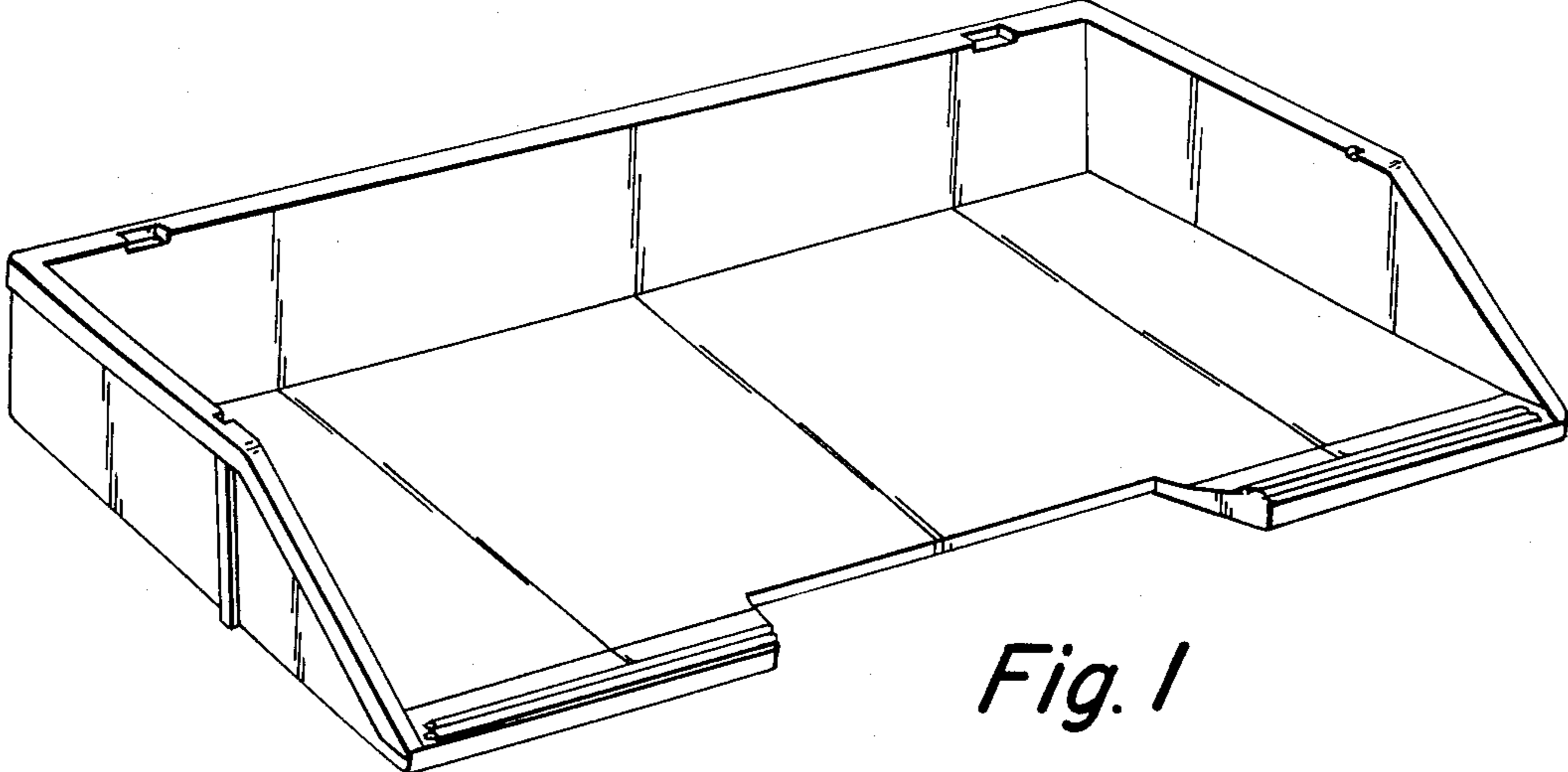


Fig. 1

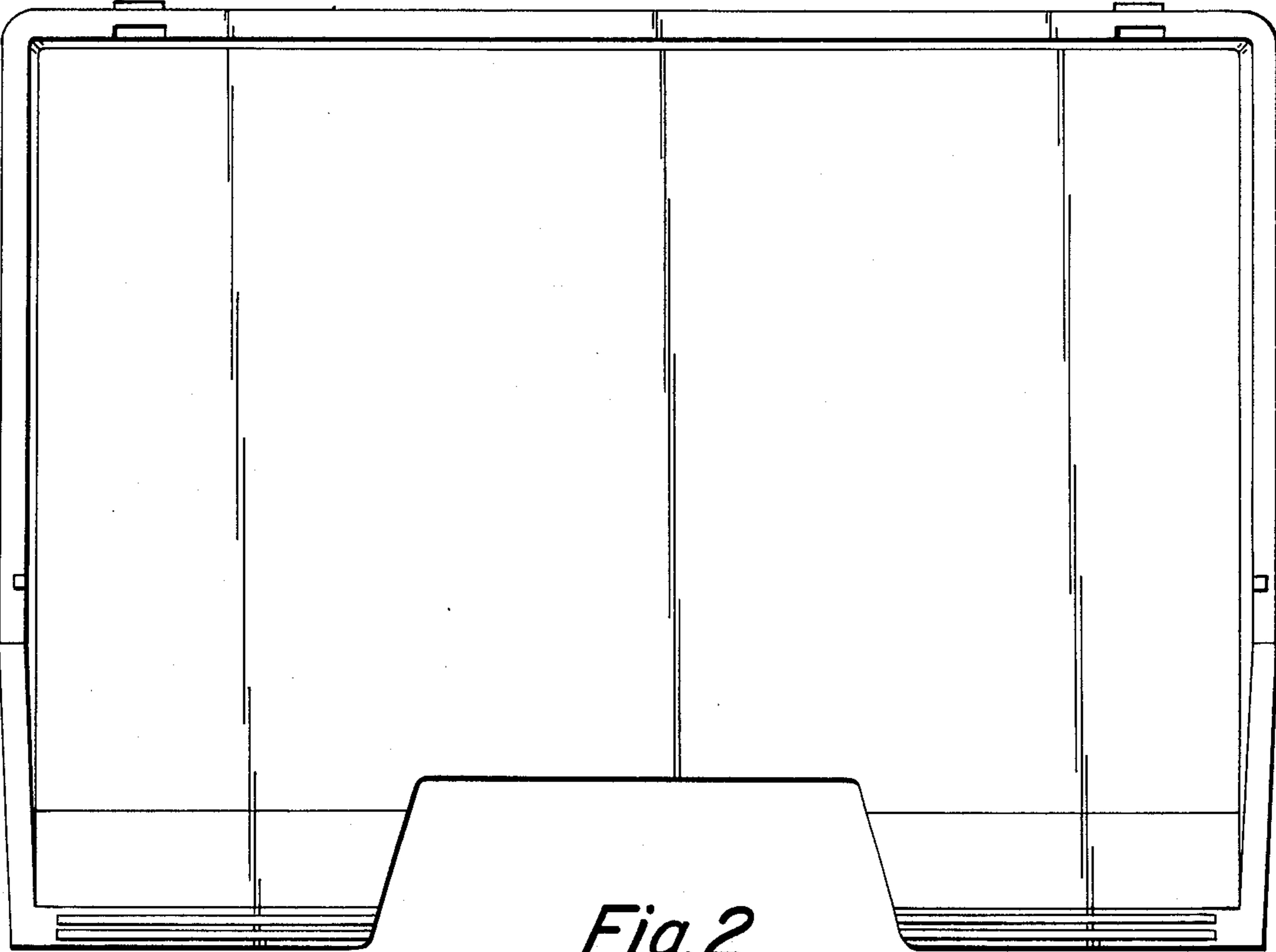


Fig. 2

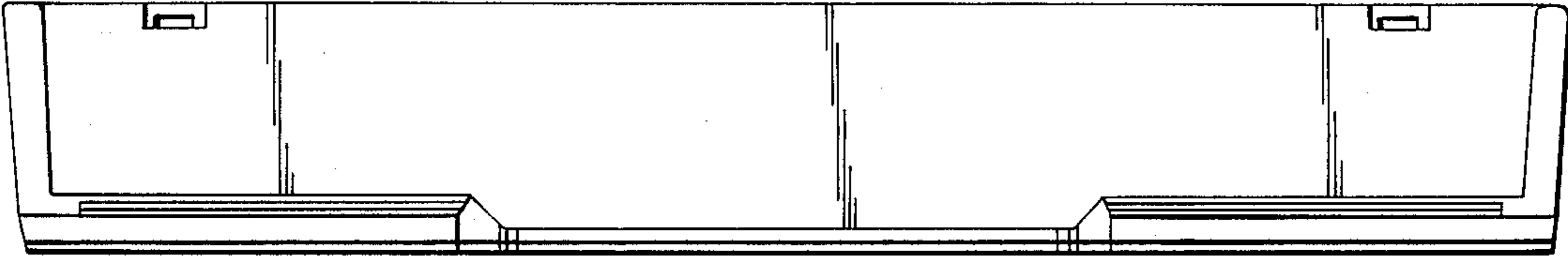


Fig. 3

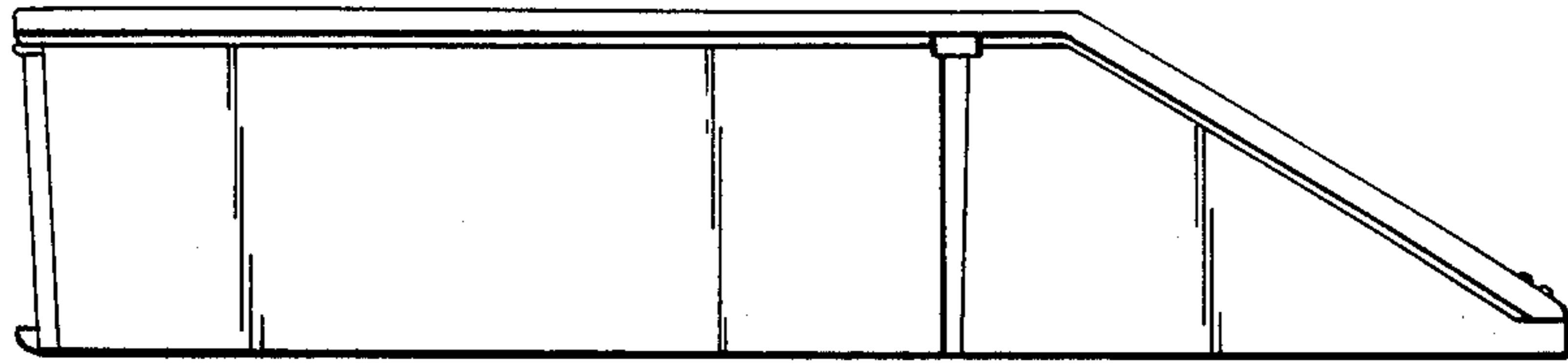


Fig. 4

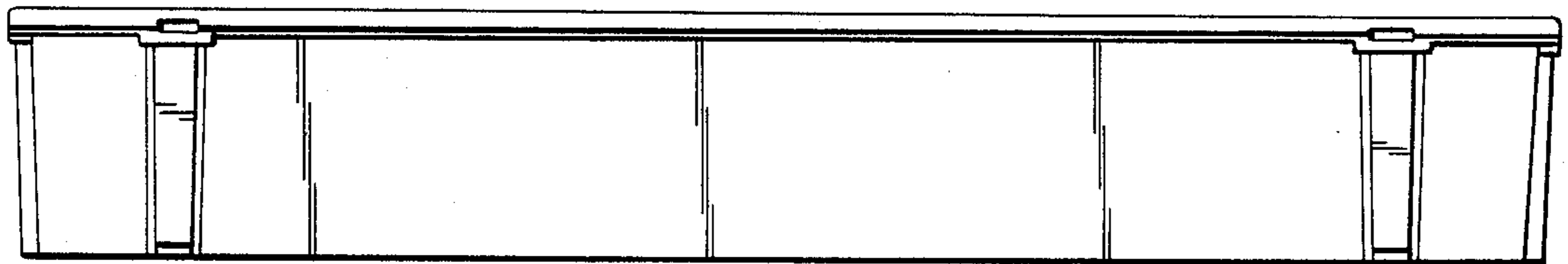


Fig. 5

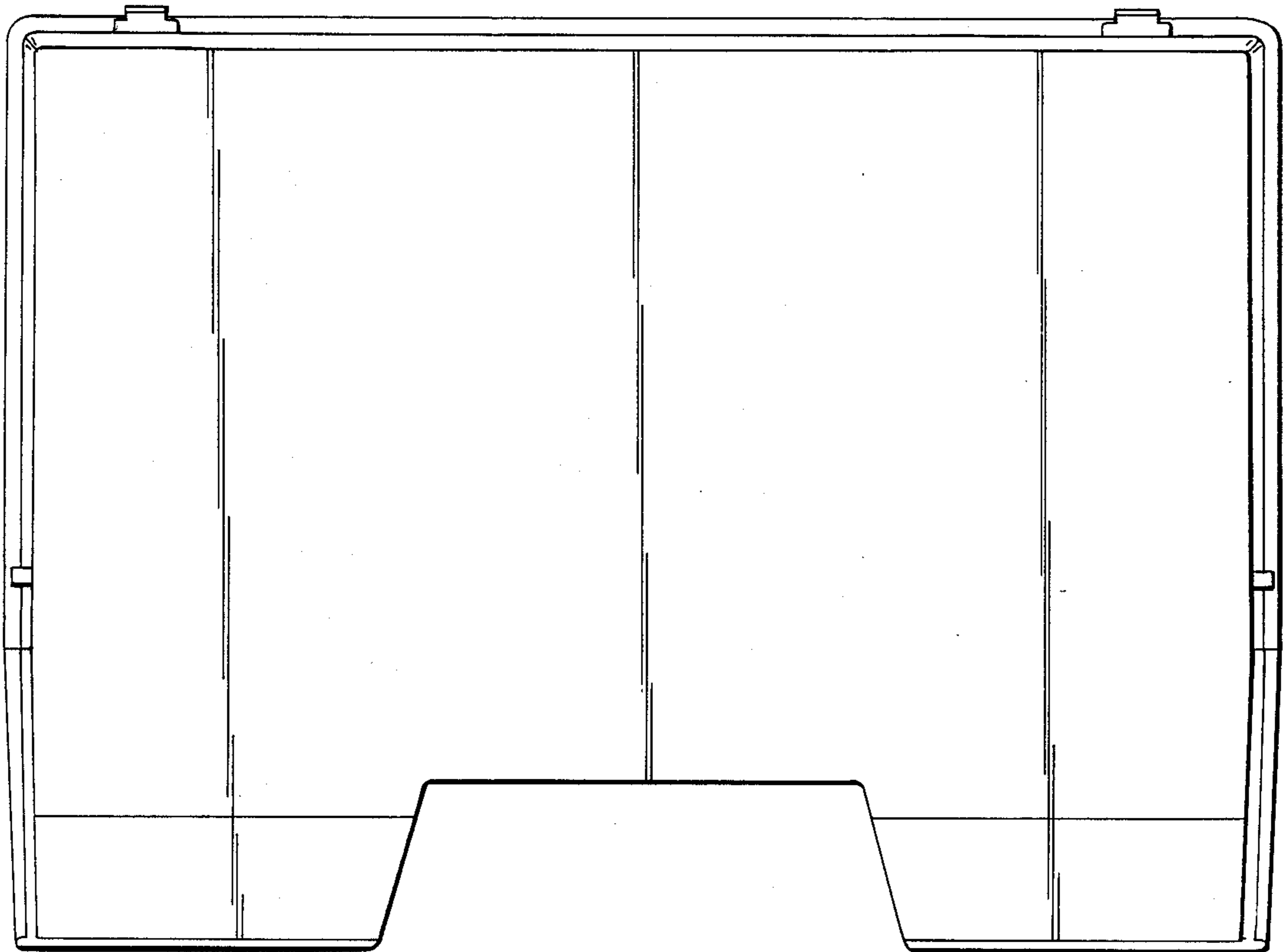


Fig. 6