

[54] ADJUSTABLE FILE CARD HOLDER

[75] Inventor: Albrecht Goertz, New York, N.Y.

[73] Assignee: Insilco Corporation, Meriden, Conn.

[**] Term: 14 Years

[21] Appl. No.: 847,850

[22] Filed: Apr. 3, 1986

[52] U.S. Cl. D19/76

[58] Field of Search D19/76, 92;
312/185-189, 193; 211/50, 11; 206/425;
402/19, 501

[56] References Cited

U.S. PATENT DOCUMENTS

- D. 266,336 9/1982 Leib, III D19/76
- D. 277,811 3/1985 McFarland D19/76
- D. 287,861 1/1987 Husbands D19/76

OTHER PUBLICATIONS

B. A. Pargh Company, Inc., 1985 Spring/Summer Catalog, pp. 42 and 43.

Primary Examiner—Bruce W. Dunkins
Assistant Examiner—Martha Thompson
Attorney, Agent, or Firm—Martin Smolowitz

[57] CLAIM

The ornamental design for an adjustable file card holder, as shown and described.

DESCRIPTION

FIG. 1 is a perspective view of an adjustable file card holder with the arms in an open position, showing my new design;

FIG. 2 is a side elevational view with the adjustable arms in an upright position, the opposite side being a mirror image thereof;

FIG. 3 is an end elevational view, the opposite end being a mirror image thereof;

FIG. 4 is a bottom plan view;

FIG. 5 is a top plan view;

FIG. 6 is a side elevational view showing the adjustable arms pivoted to an open position; and

FIG. 7 is a bottom plan view thereof with the stand member in an alternate position.

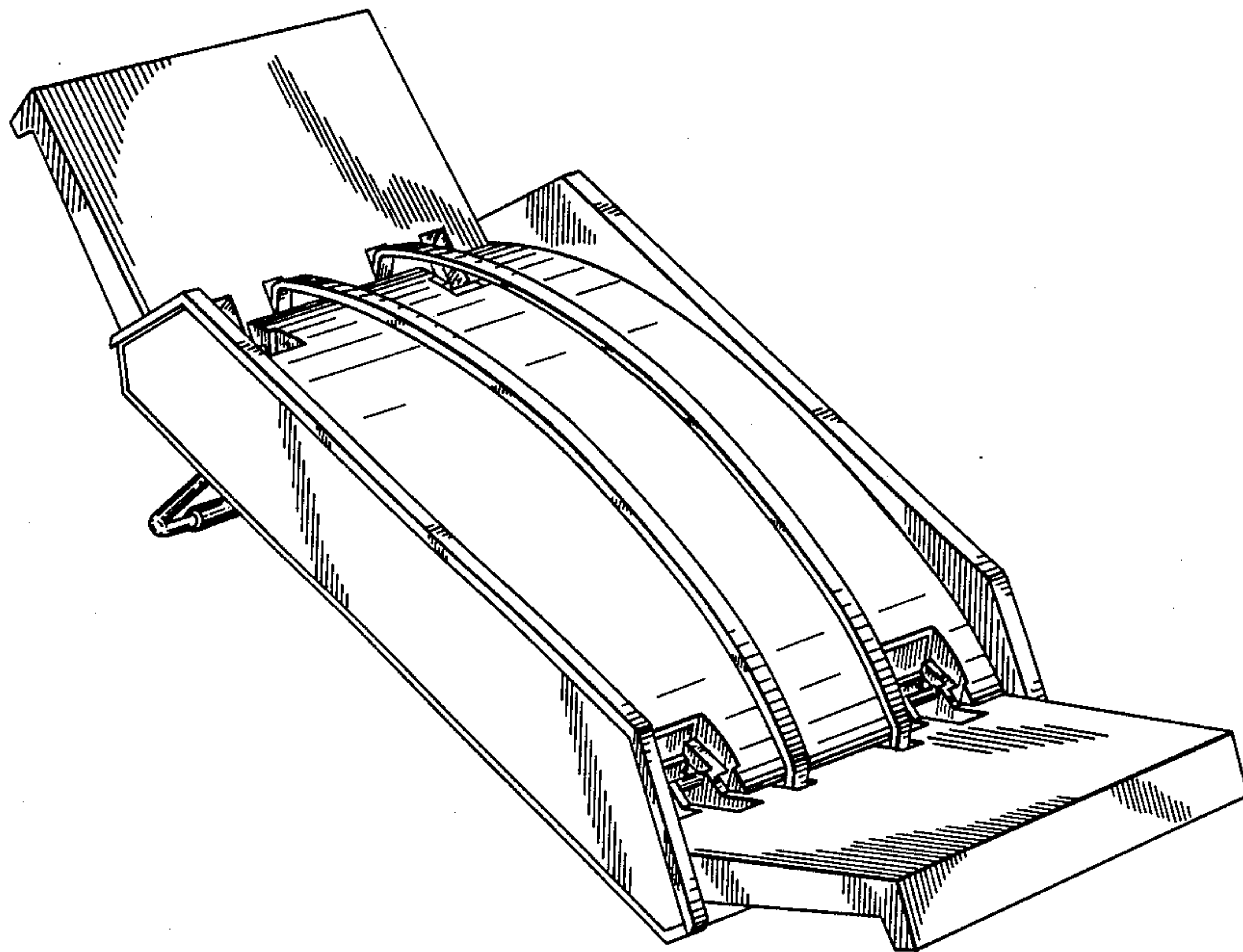


FIG. 1

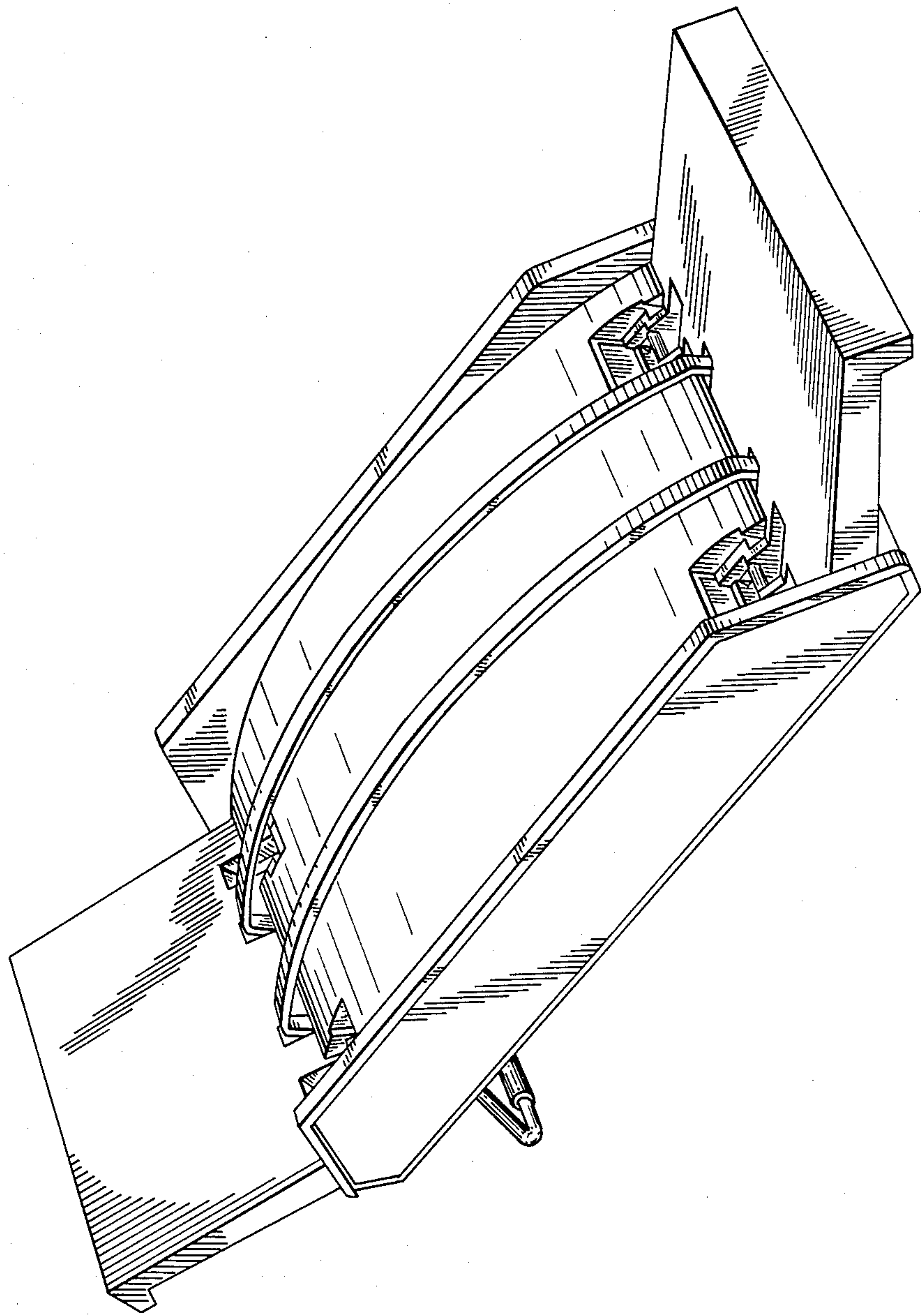


FIG. 5

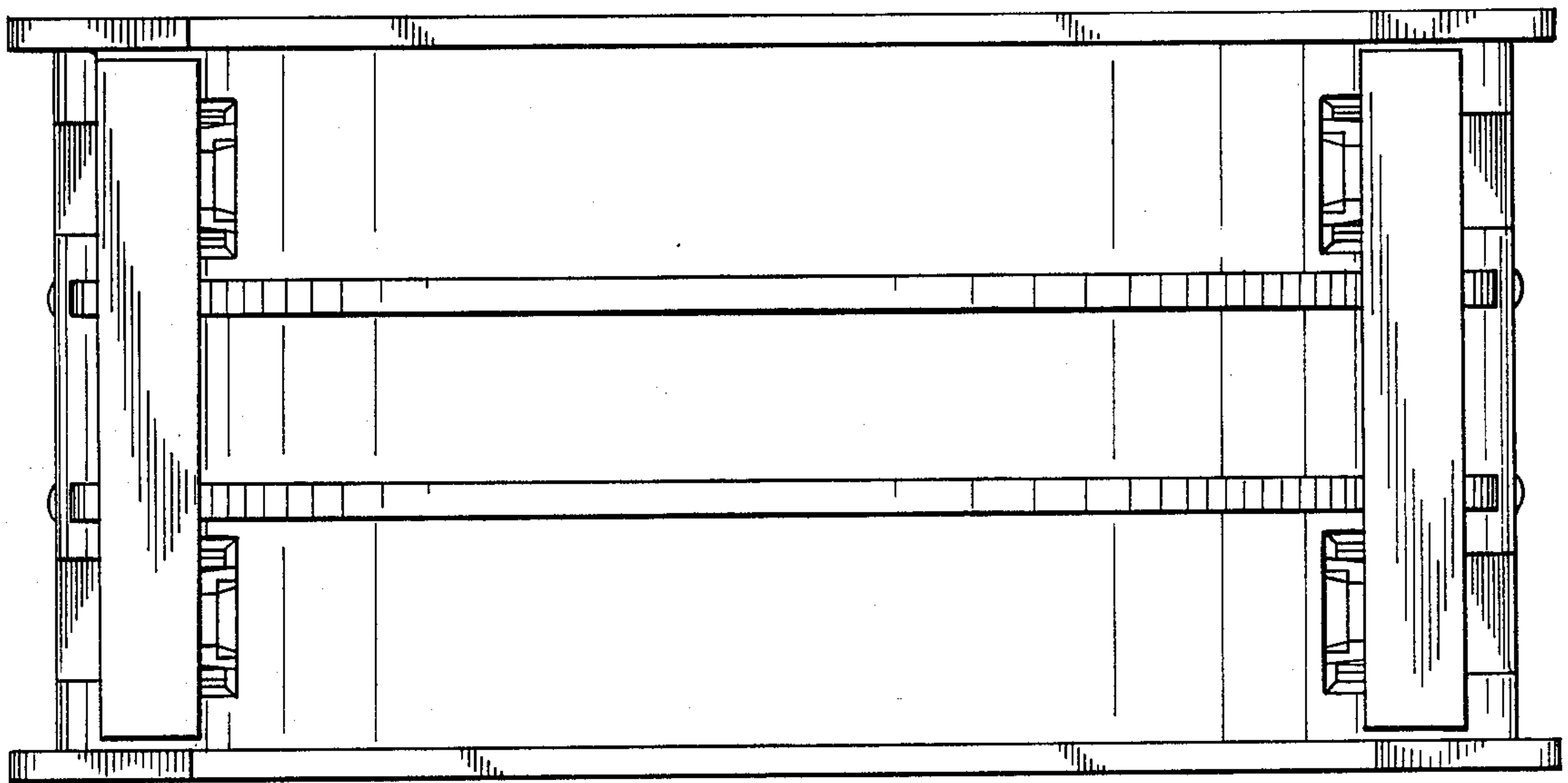


FIG. 2

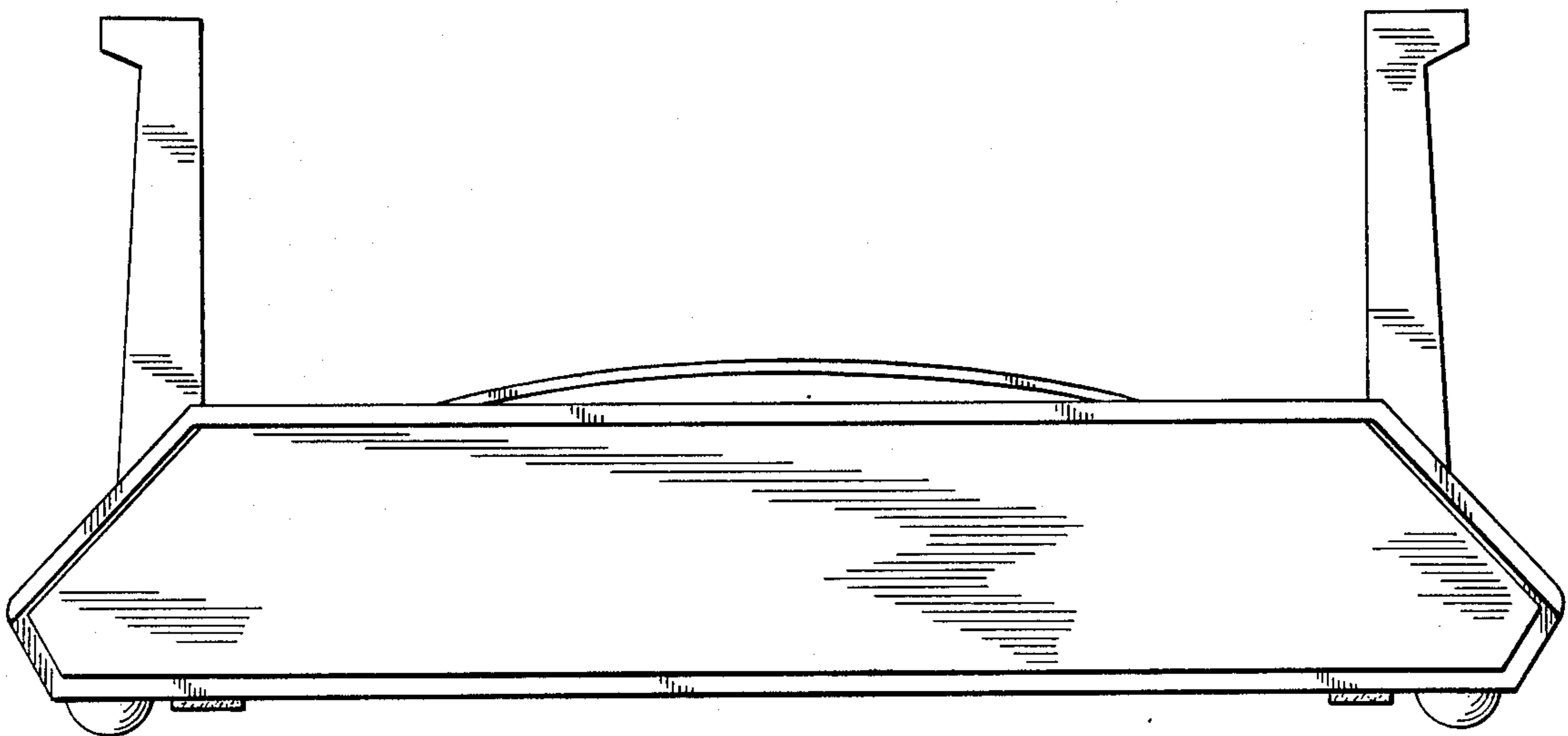


FIG. 3

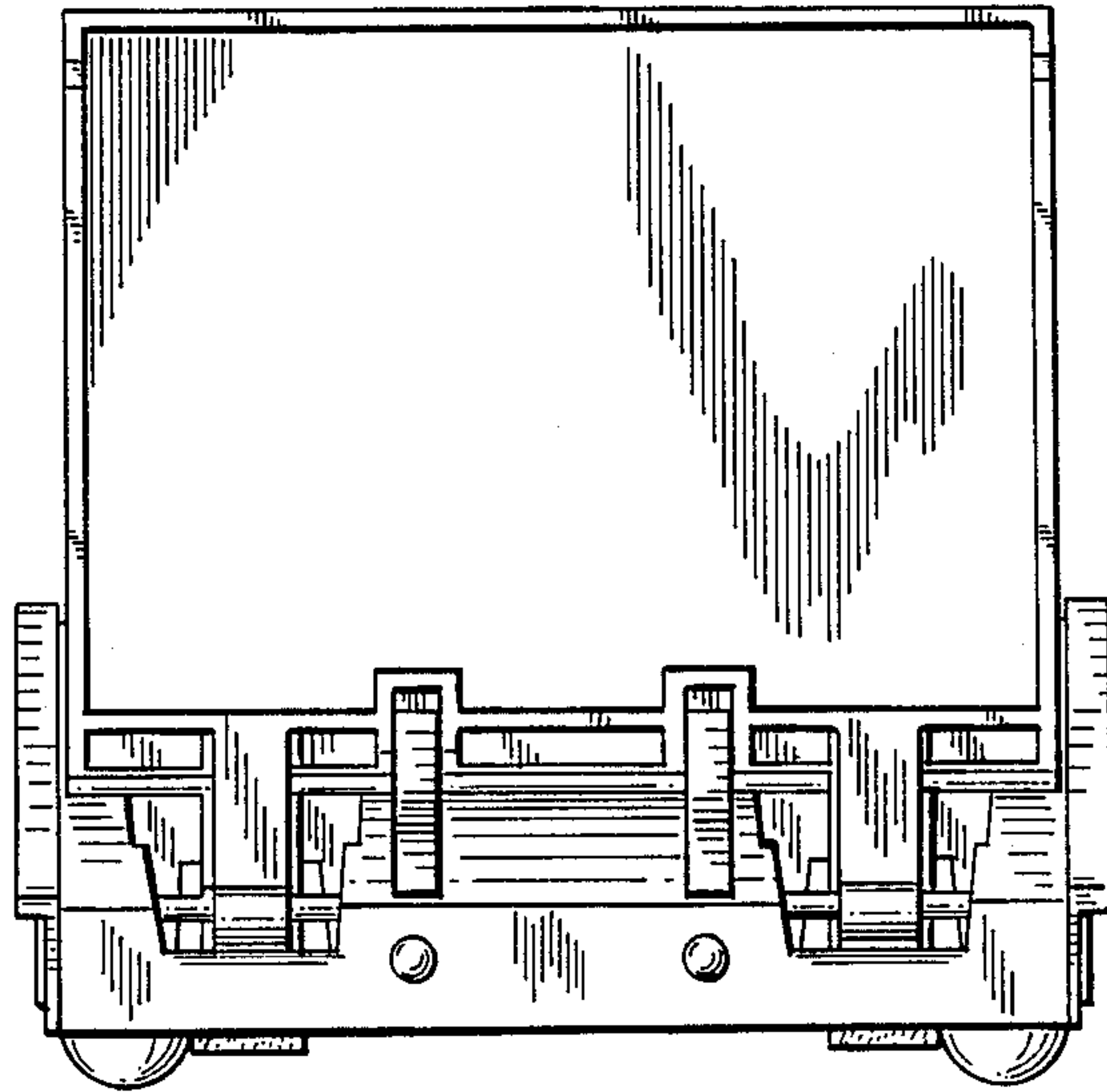
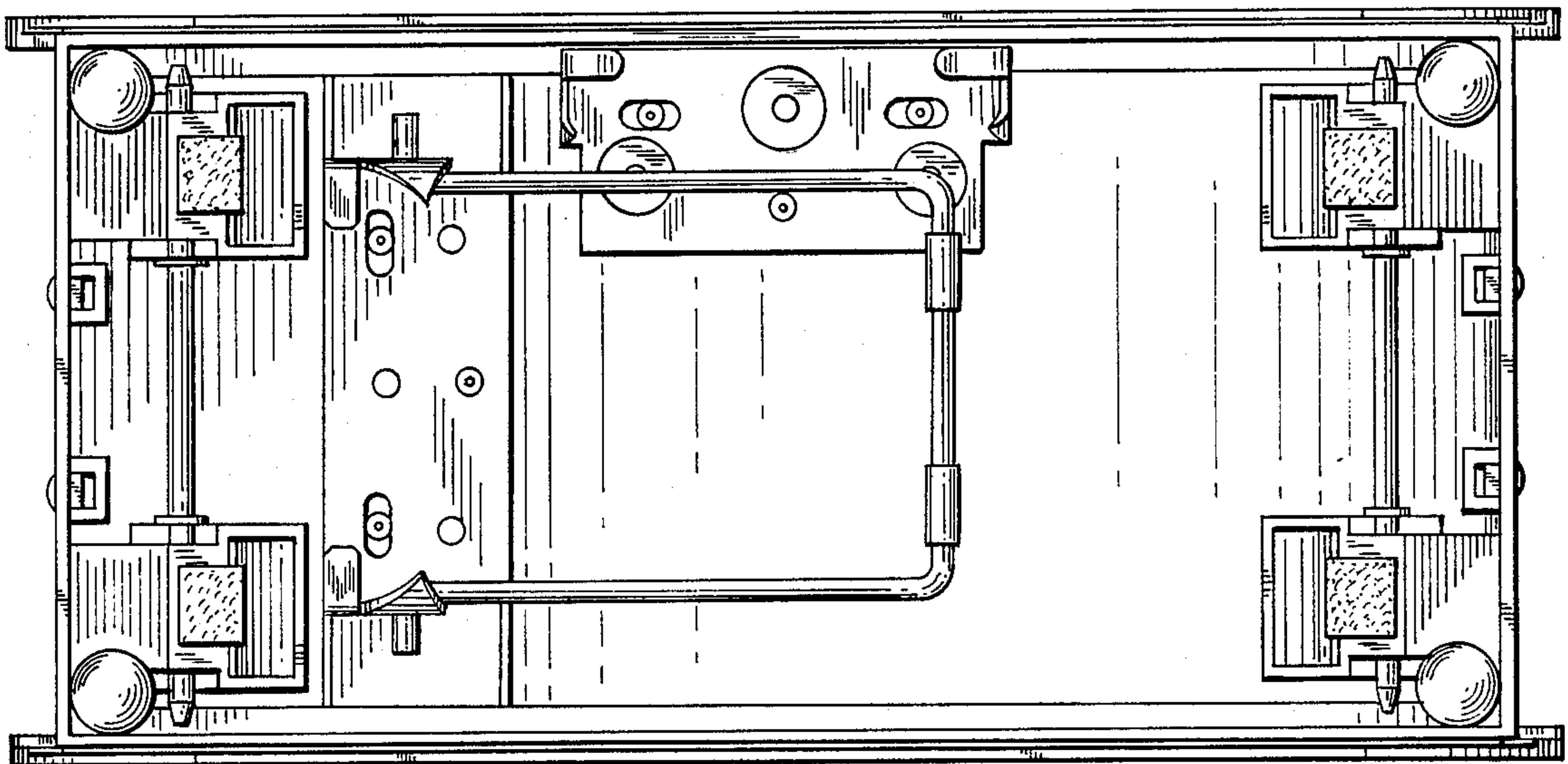


FIG. 4



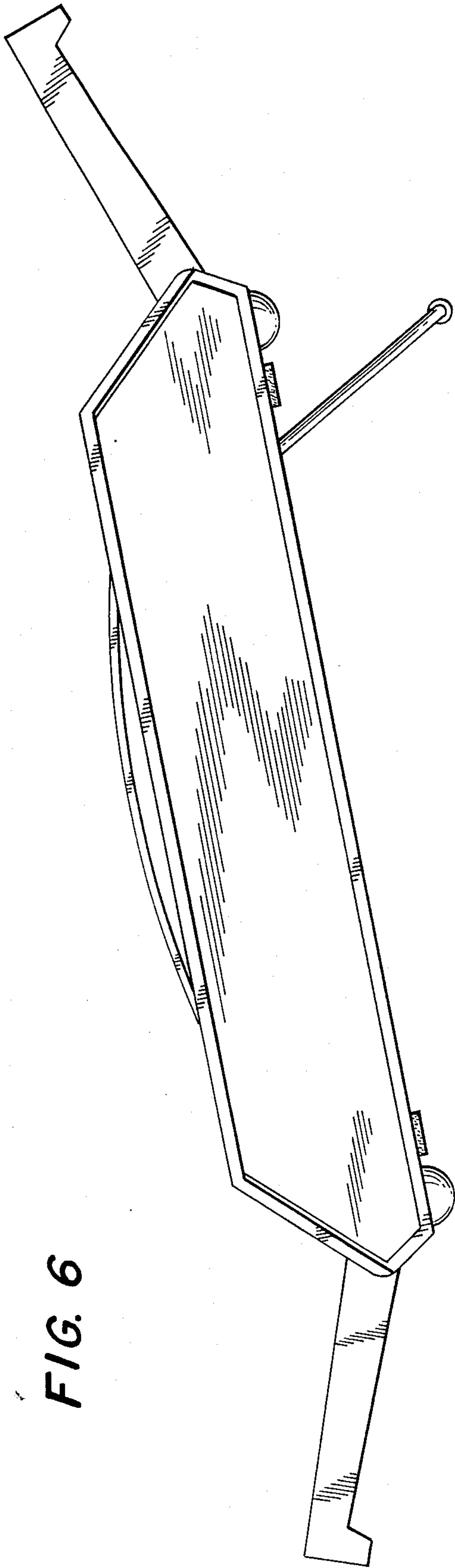


FIG. 6

FIG. 7

