

[54] PORTFOLIO

4,388,958 6/1983 Dworkin 150/52 B

[75] Inventors: Mark D. Rexroat, Kettering; Meredith Spence, Jr., Dayton, both of Ohio

FOREIGN PATENT DOCUMENTS

18246 2/1915 United Kingdom 150/52.1
156624 12/1921 United Kingdom 229/72

[73] Assignee: The Mead Corporation, Dayton, Ohio

Primary Examiner—Bruce W. Dunkins
Assistant Examiner—Martha Thompson
Attorney, Agent, or Firm—Biebel, French & Nauman

[**] Term: 14 Years

[21] Appl. No.: 857,559

[57] CLAIM

The ornamental design for a portfolio, as shown.

[22] Filed: Apr. 21, 1986

[52] U.S. Cl. D19/26; D19/86

DESCRIPTION

[58] Field of Search D3/52, 56; D19/26, 75, D19/86; 229/1.5 R, 72; 150/35, 39, 52 B

FIG. 1 is a perspective view of a portfolio, in a partially opened position, showing our new design; FIG. 2 is a front elevational view in a closed condition; FIG. 3 is a front elevational view with the flap in an open position; FIG. 4 is a front elevational view in a second alternative open position; FIG. 5 is a rear elevational view with respect to FIG. 4; FIG. 6 is a left side elevational view with respect to FIG. 2; FIG. 7 is a bottom plan view, with respect to FIG. 2; and FIG. 8 is a front elevational view in a third alternative open position.

[56] References Cited

U.S. PATENT DOCUMENTS

D. 267,653	1/1983	Miller et al.	D19/26
D. 269,625	7/1983	Draddy	D19/26
D. 278,445	4/1985	Hartney	D19/26
D. 295,289	4/1988	Nickow	D19/26
91,728	6/1869	Eastman .	
1,859,631	5/1932	Osborn .	
2,568,941	9/1951	Benson	229/72
2,863,484	12/1958	Herbener	D3/58
3,777,795	12/1973	Graetz	150/35
3,870,223	3/1975	Wyant	229/72

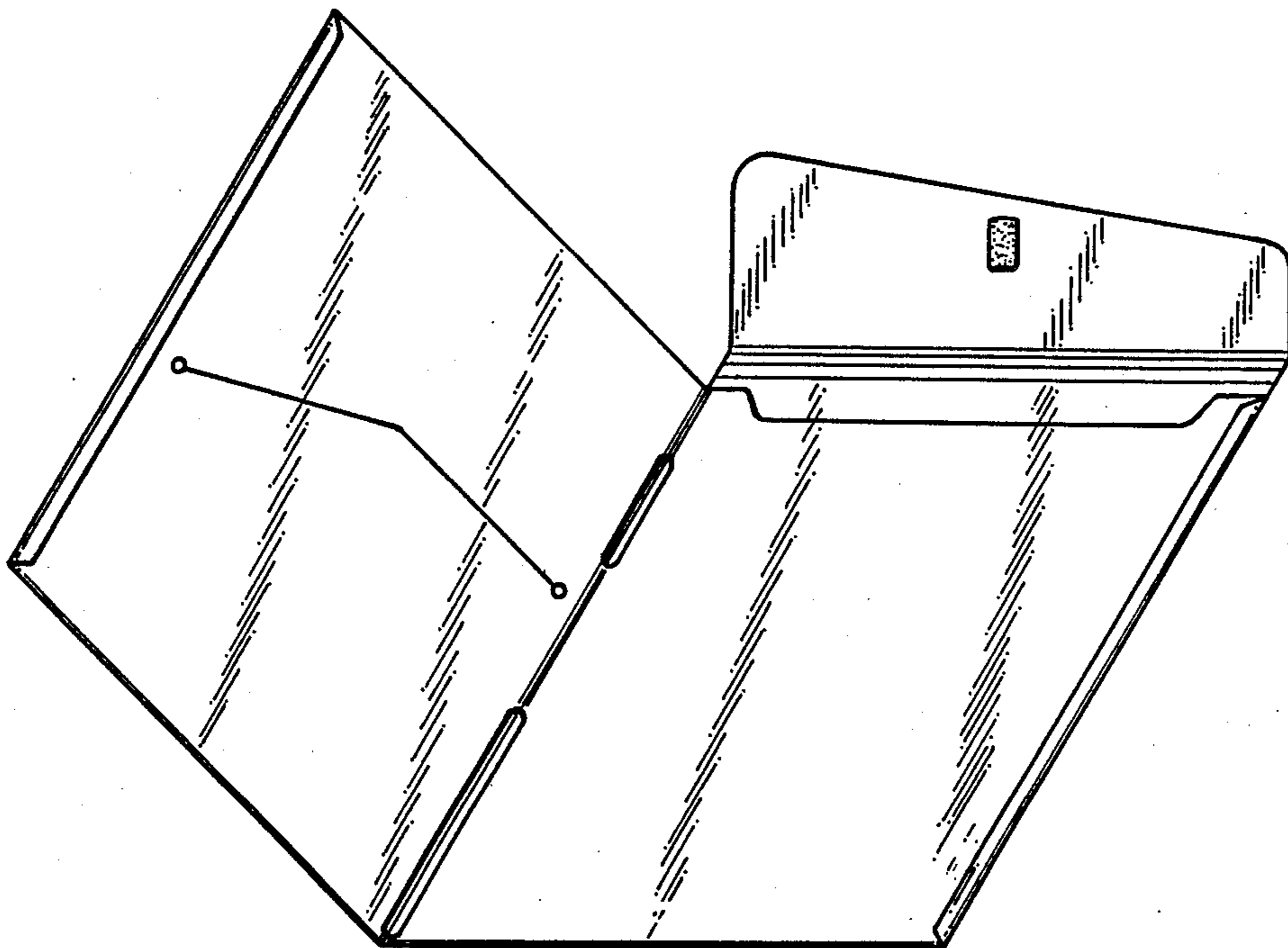


FIG-1

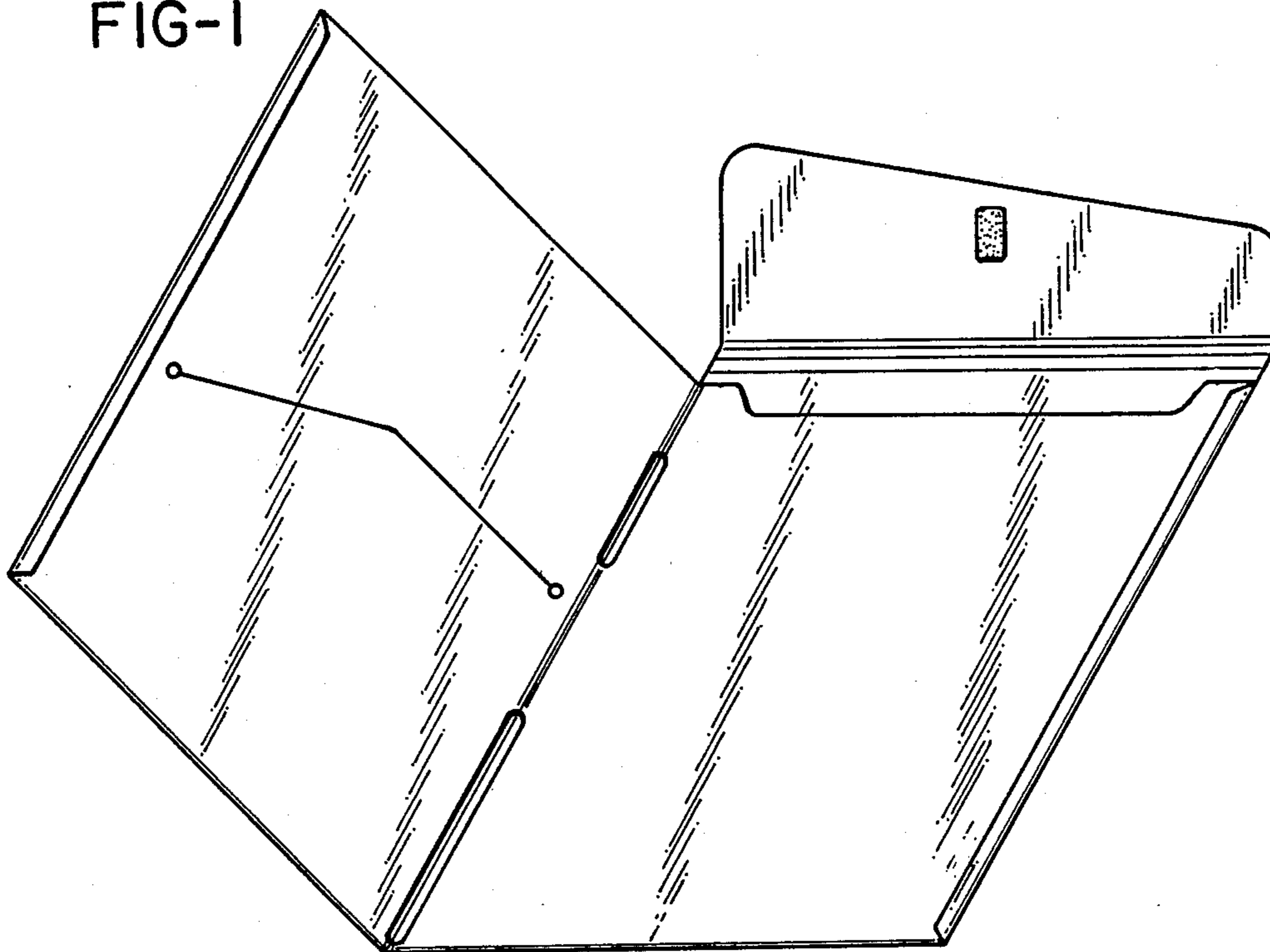
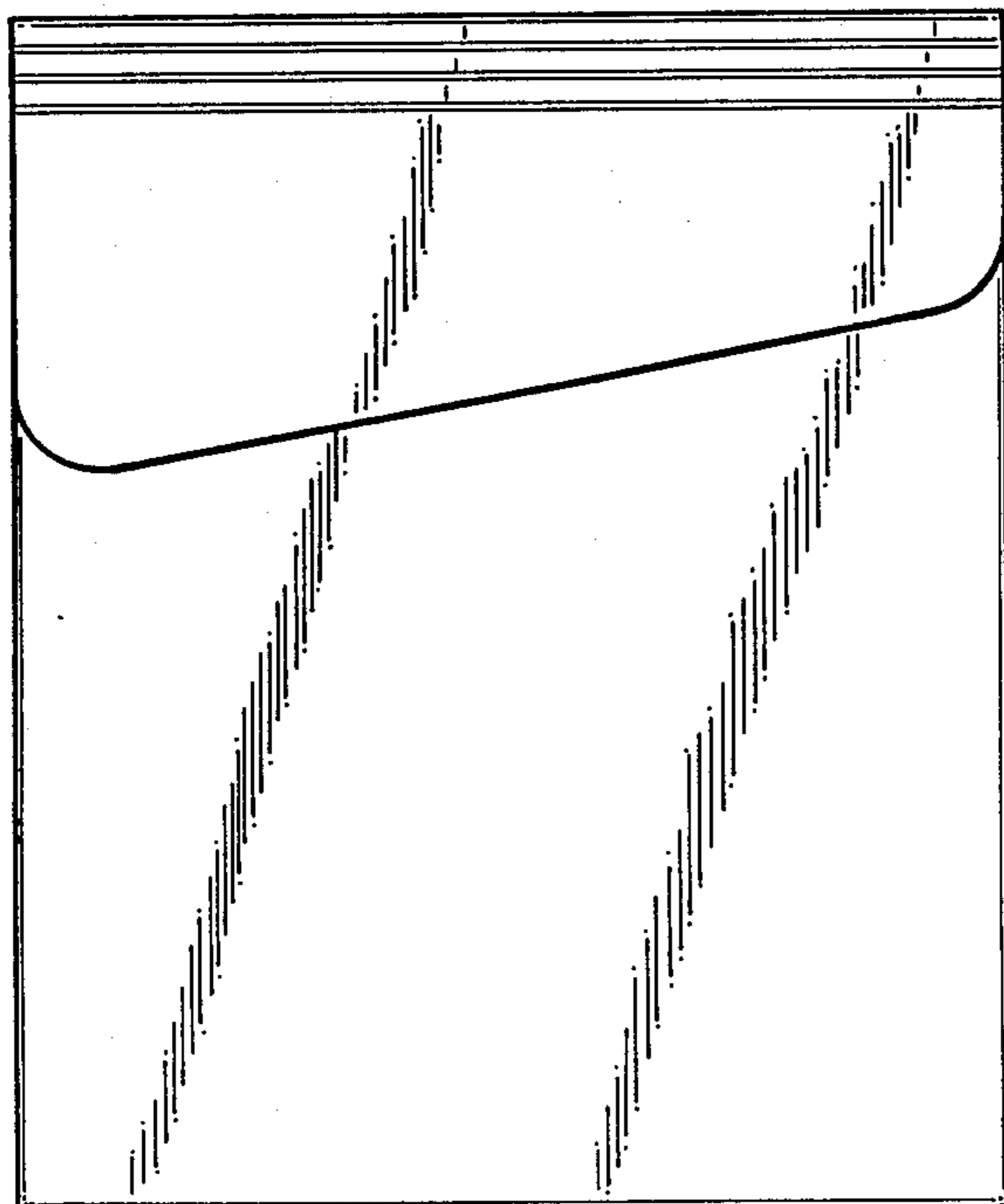
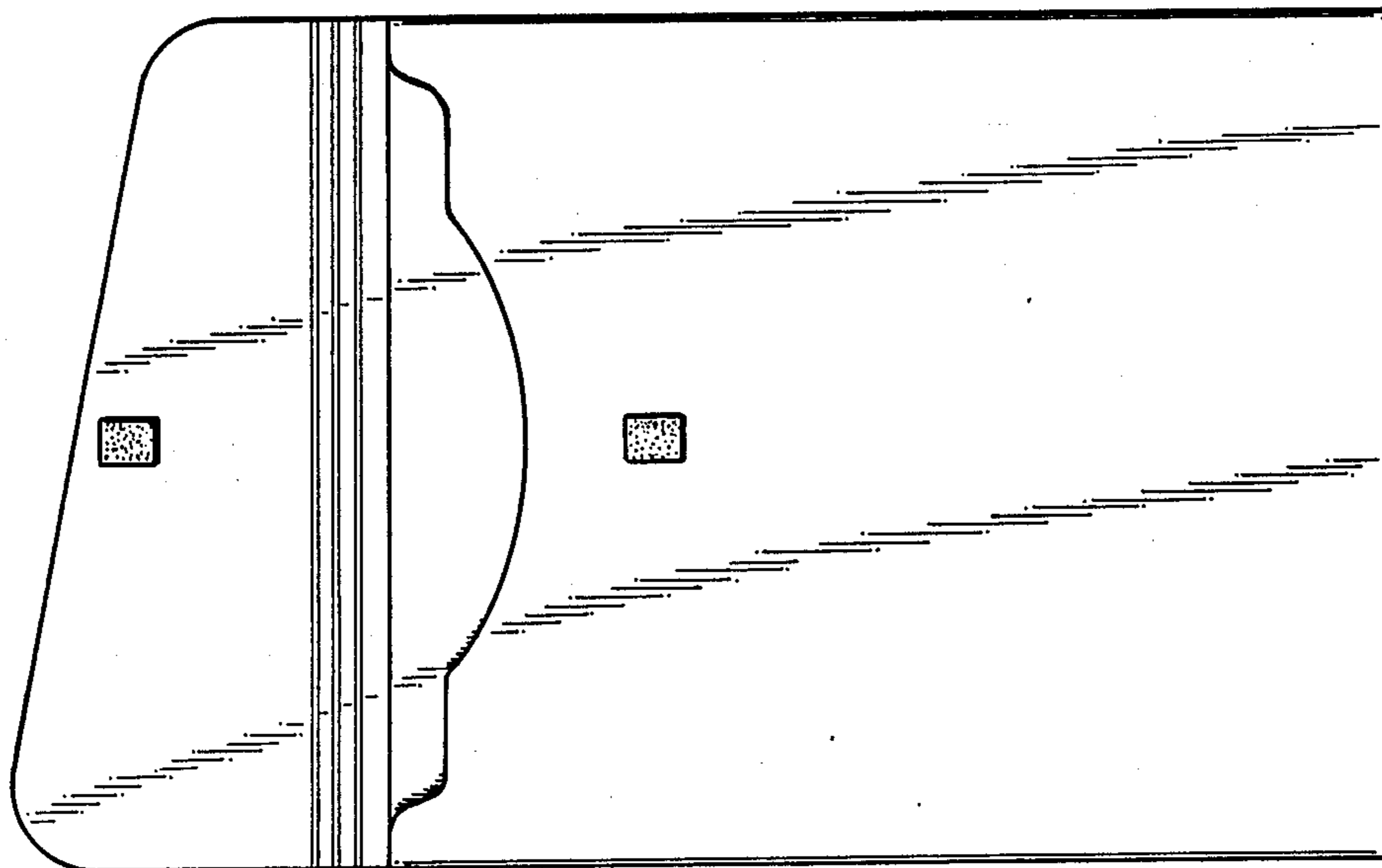
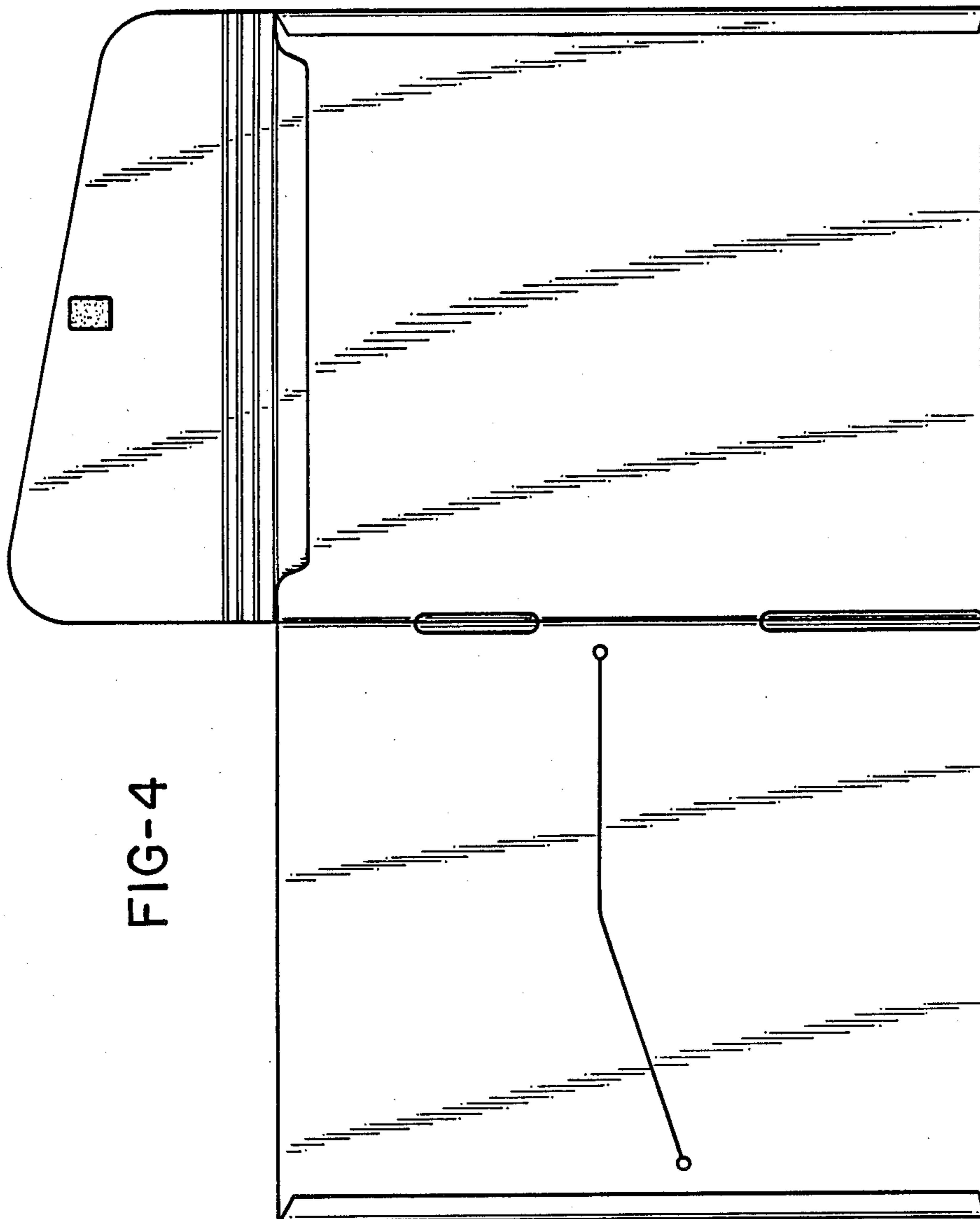


FIG-2





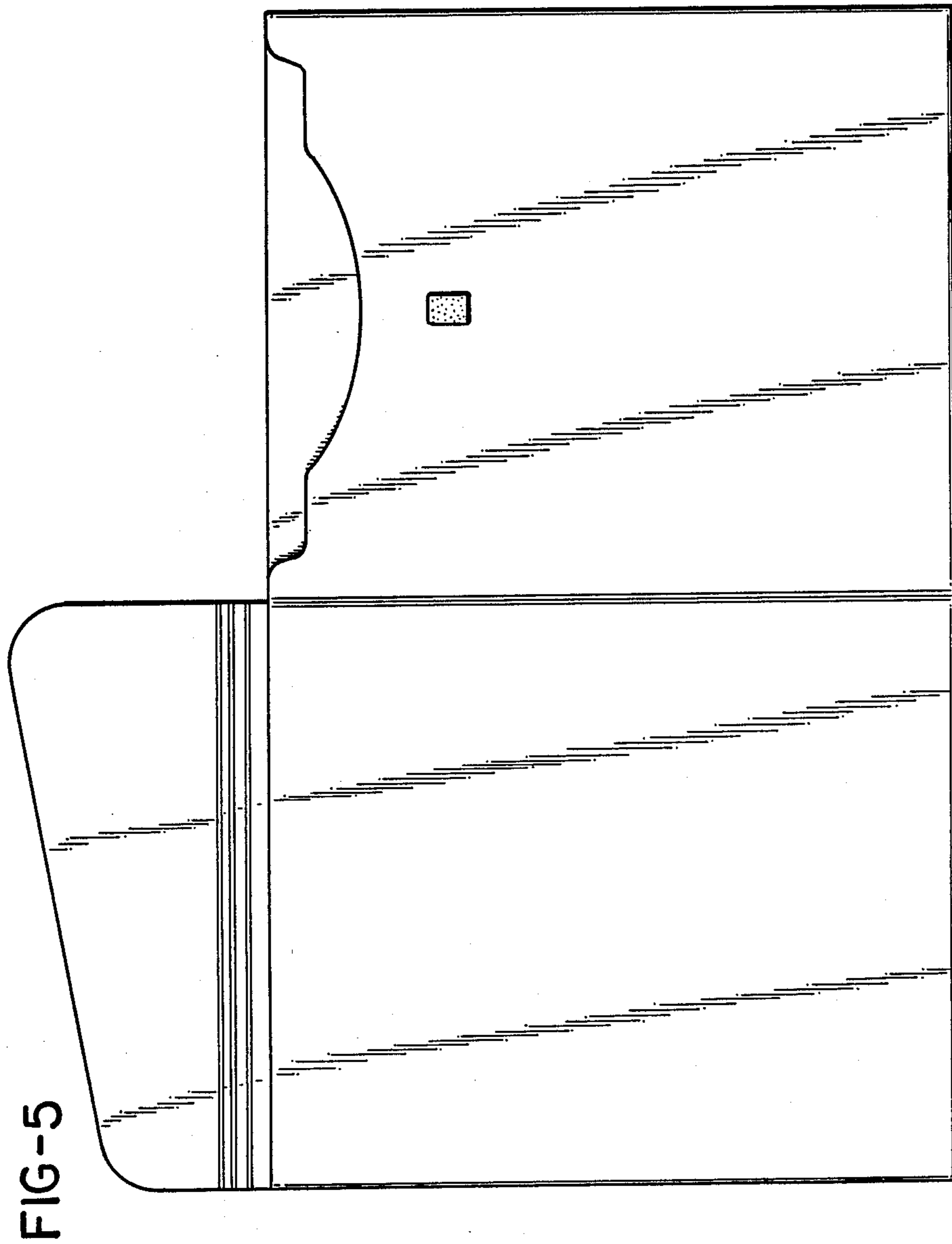


FIG-7



FIG-6



FIG-8

