

[54] CAMERA AND FLASH ATTACHMENT BRACKET

3,893,145 7/1975 King 354/293

[76] Inventor: Lewis E. Parrish, 3329 Elk Dr., Burlington, N.C. 27215

[**] Term: 14 Years

[21] Appl. No.: 857,617

[22] Filed: Apr. 24, 1986

[52] U.S. Cl. D16/242; 354/293

[58] Field of Search D16/242; 354/293; 248/205.1

[56] References Cited

U.S. PATENT DOCUMENTS

2,614,471	10/1952	Markowitz	354/293
2,644,380	7/1953	Mendelsohn	248/205.1
2,755,053	7/1956	Sloane	354/293
3,074,338	1/1963	Hanscom	354/293
3,731,897	5/1973	Price	354/293

OTHER PUBLICATIONS

The Range Finder, Jan. 1985, p. 60, third column in file.
Shutterbug, Apr. 1986, vol. 15 No. 6 Issue 186, p. 65 middle columns lower half, also p. 75 lower left. in file.

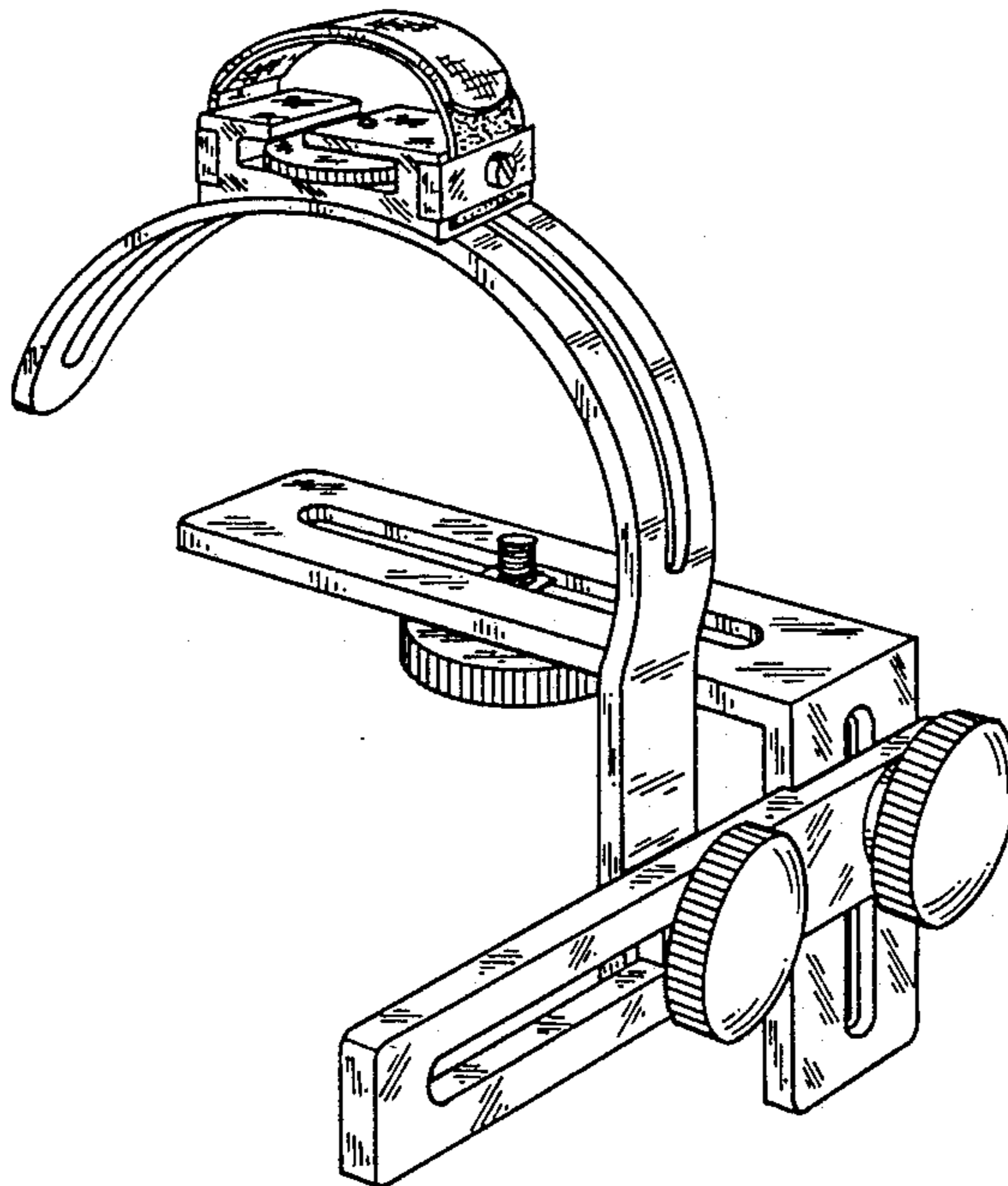
Primary Examiner—Nelson C. Holtje
Assistant Examiner—Caron D. Veynar

[57] CLAIM

The ornamental design for a camera and flash attachment bracket, as shown and described.

DESCRIPTION

FIG. 1 is a right, top, front perspective view of a camera and flash attachment bracket showing my design;
FIG. 2 is a rear elevational view thereof;
FIG. 3 is a front elevational view thereof;
FIG. 4 is a bottom plan view thereof;
FIG. 5 is a top plan view thereof;
FIG. 6 is a left side elevational view thereof.



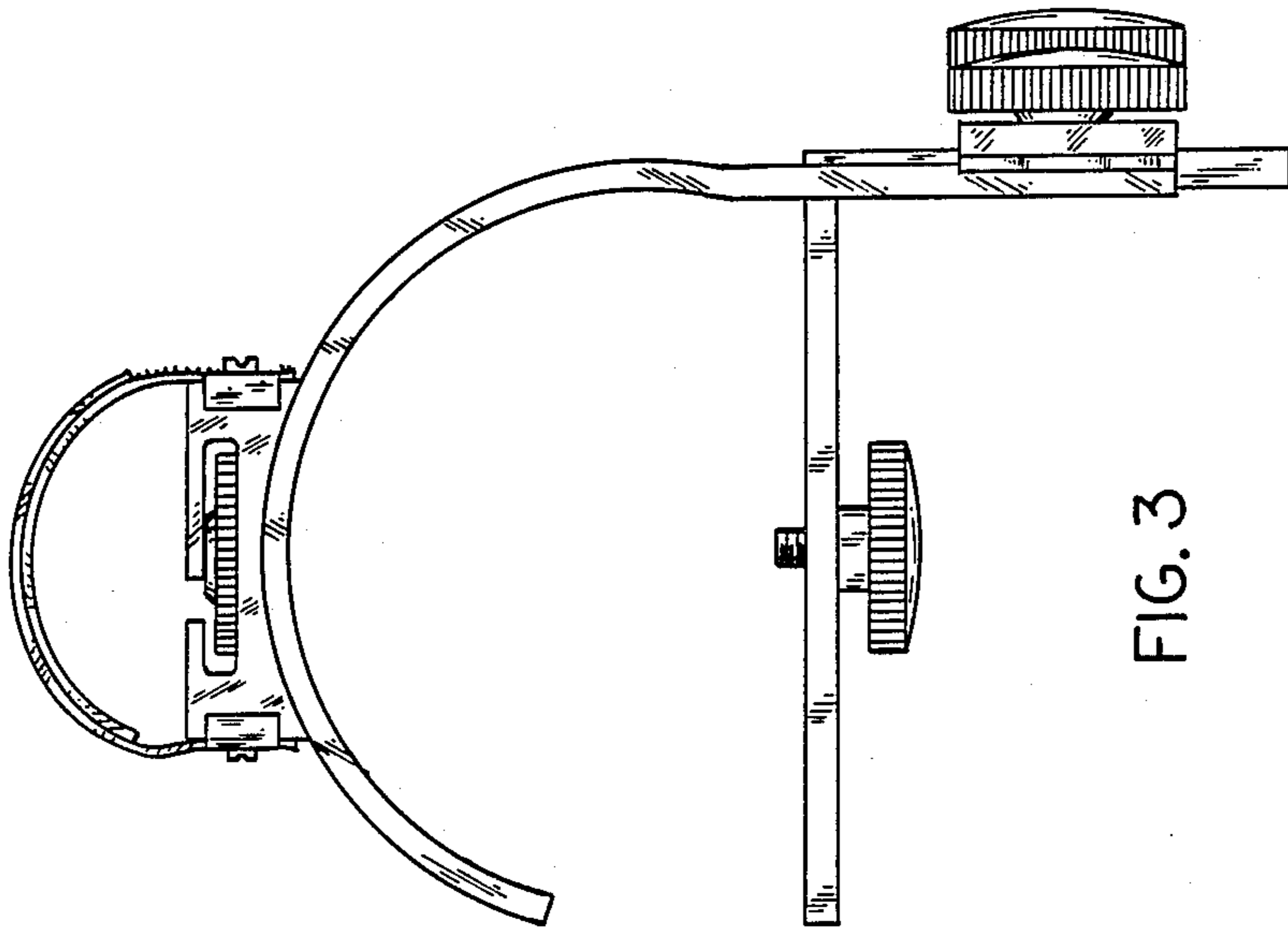


FIG. 3

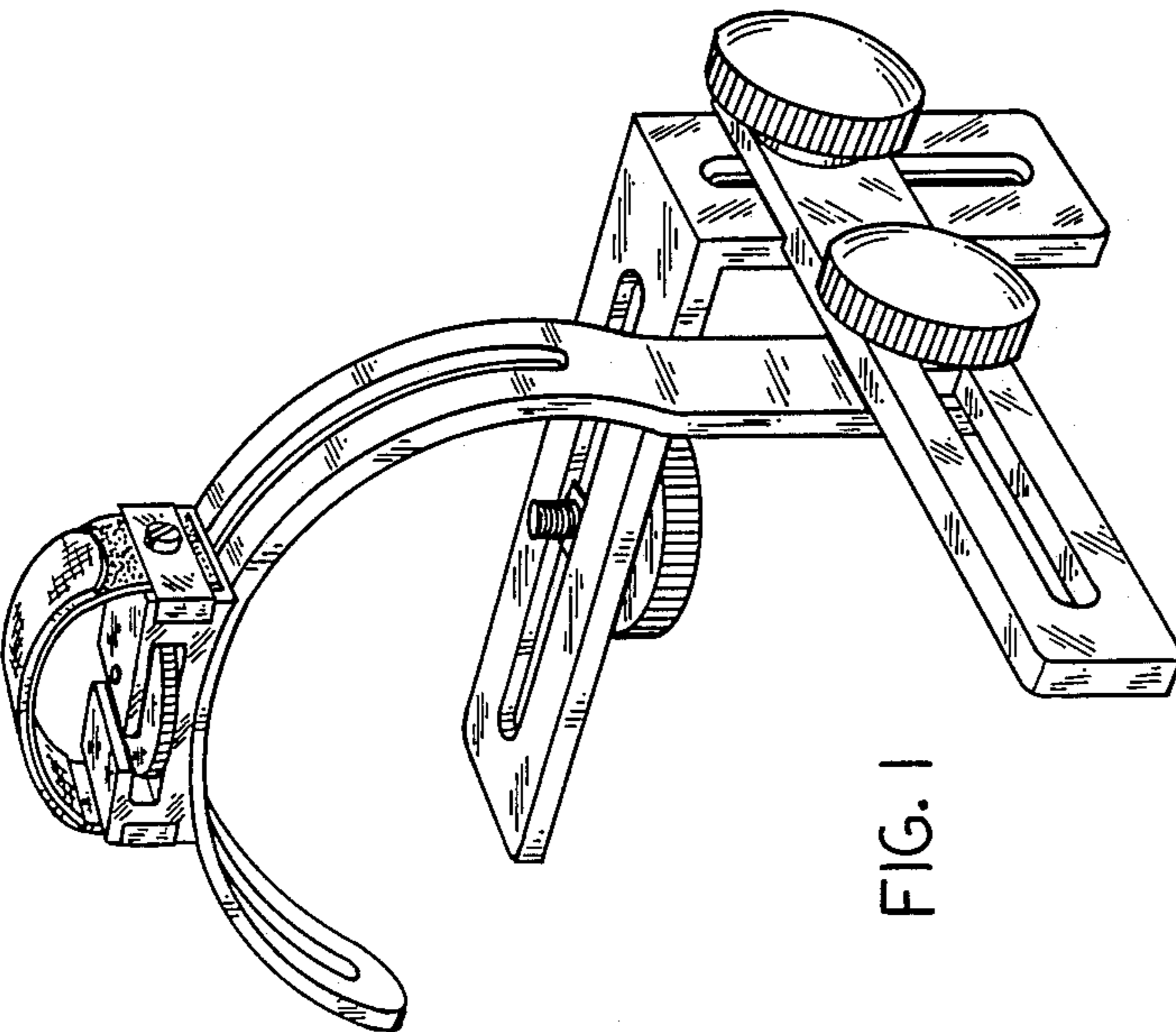


FIG. 1

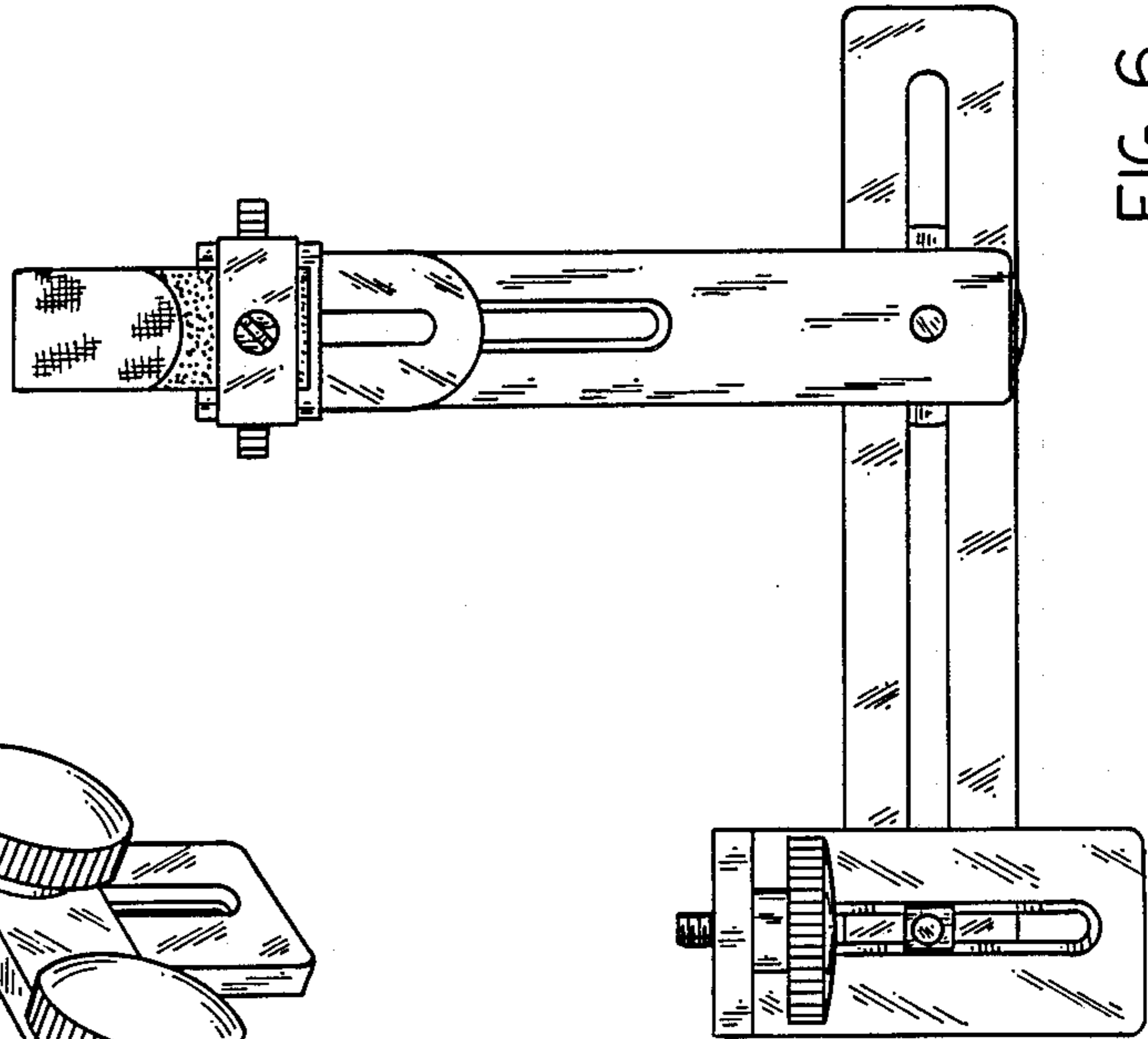


FIG. 6

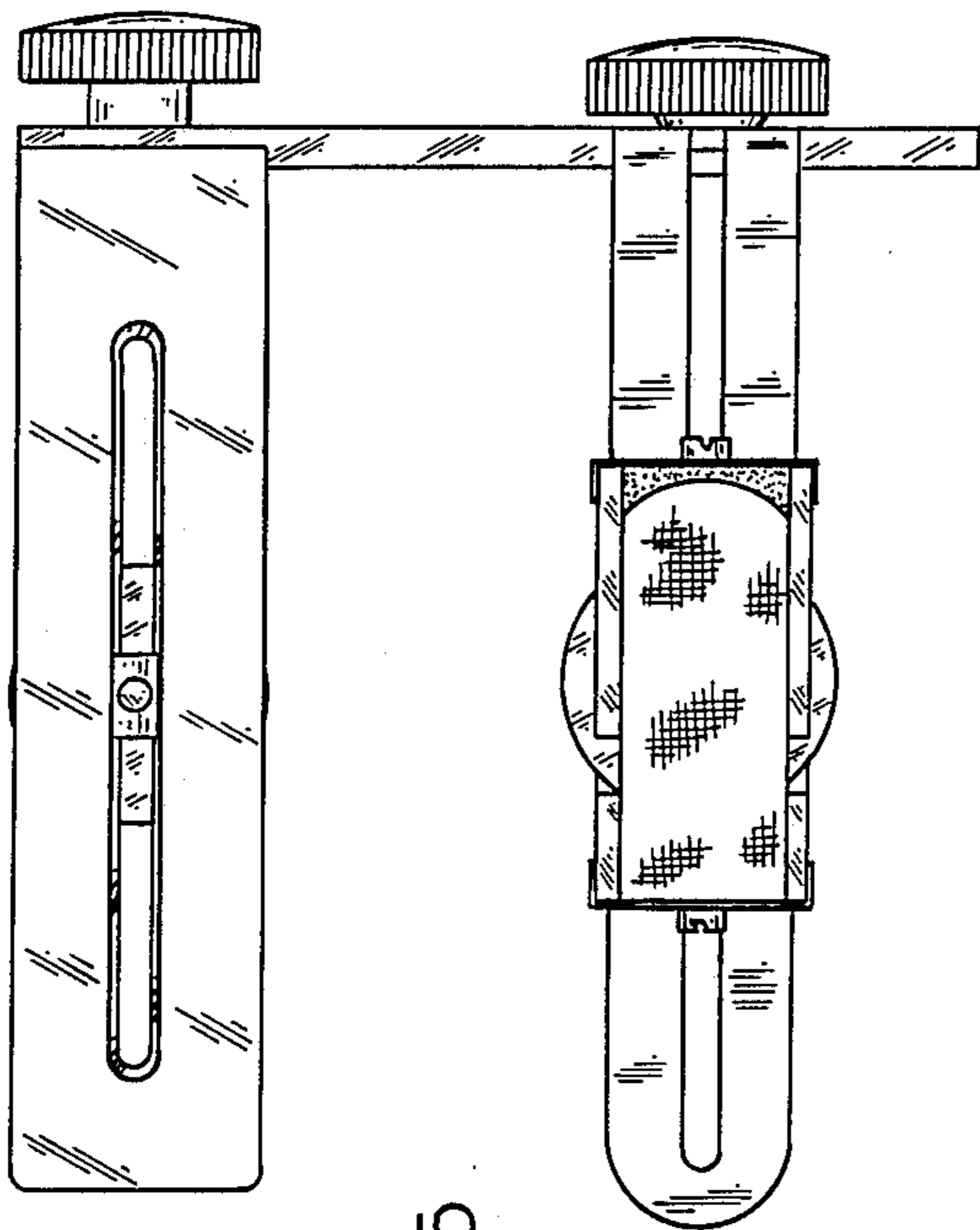


FIG. 5

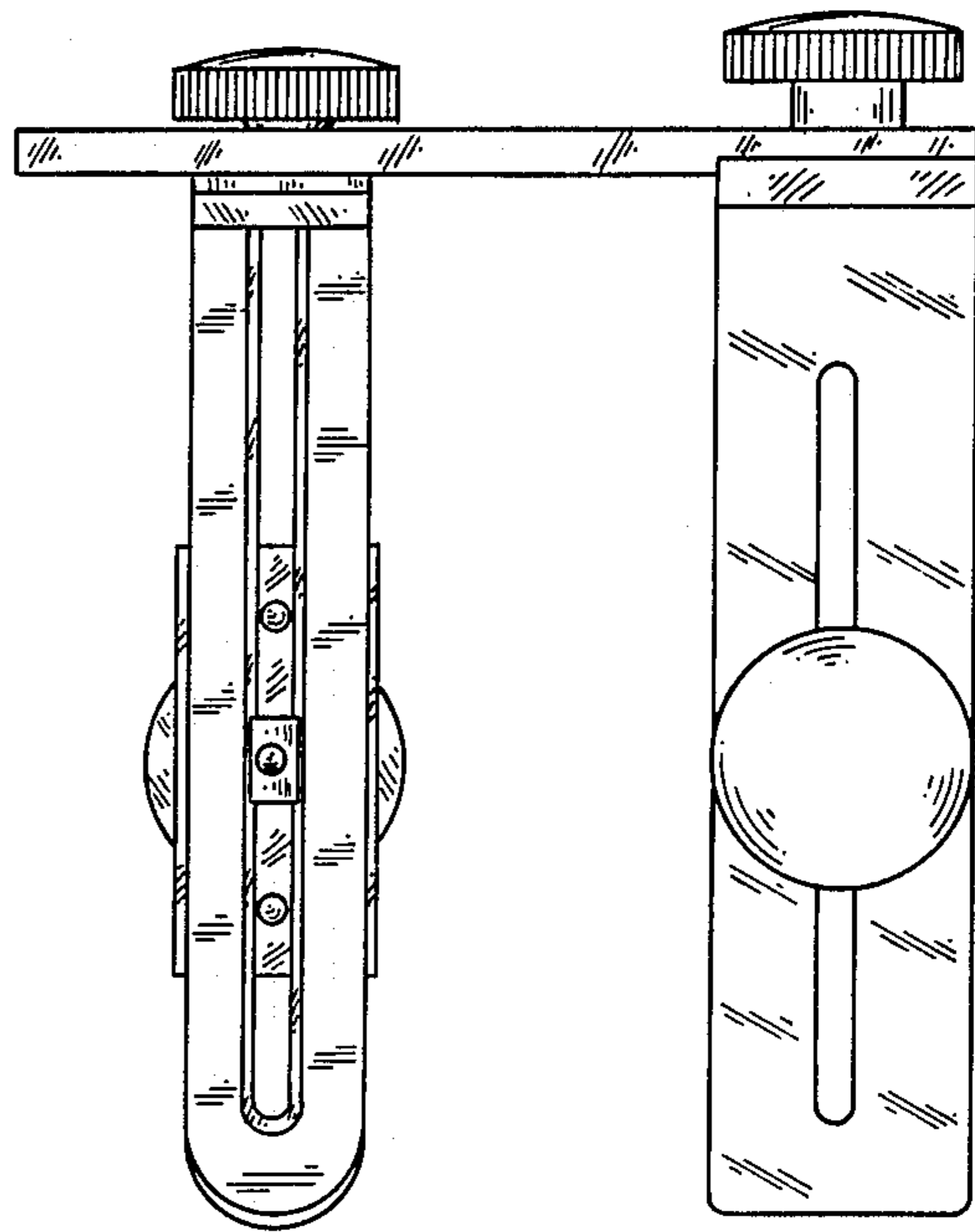


FIG. 4

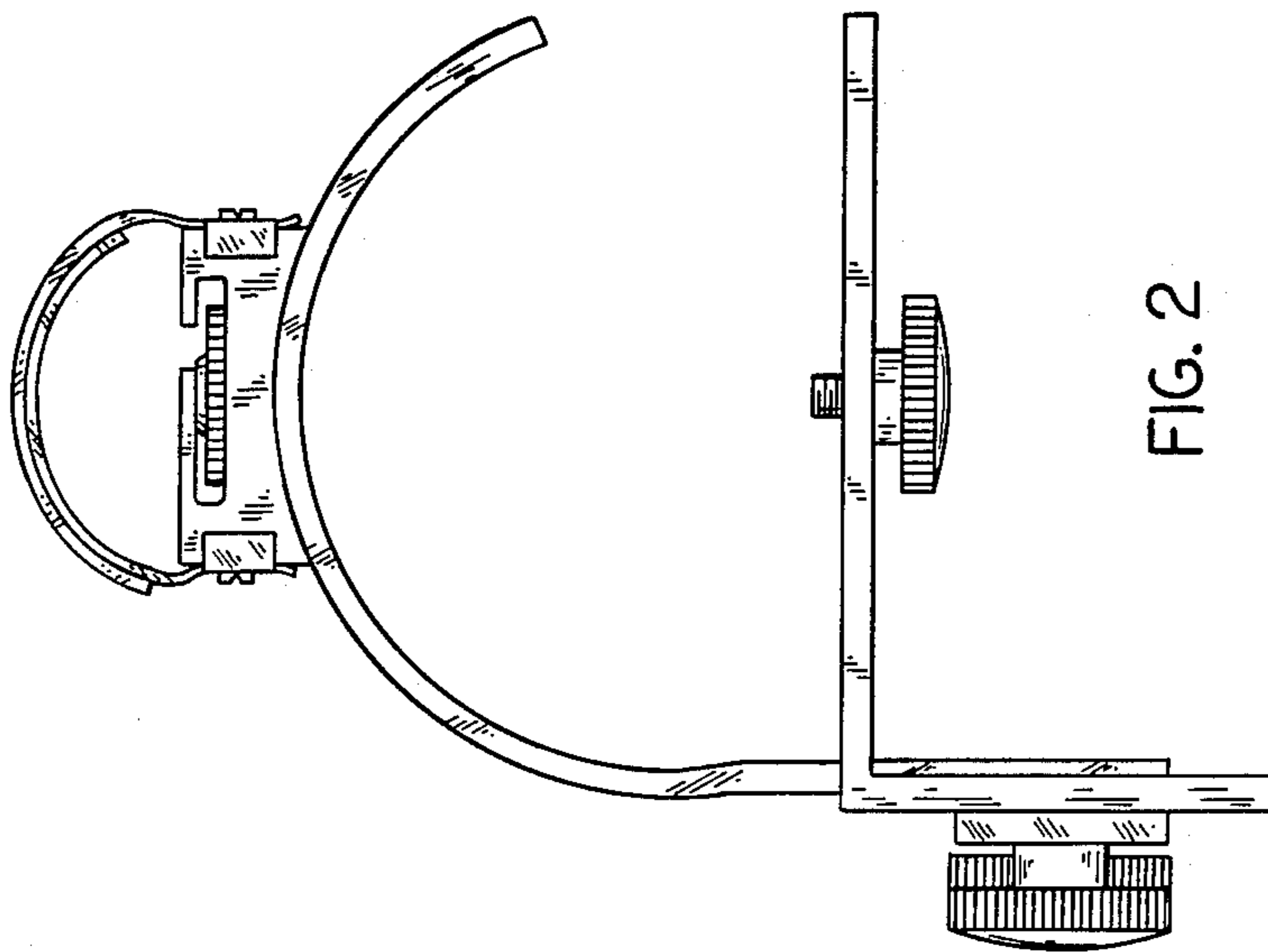


FIG. 2