

[54] CORDLESS TELEPHONE SET

[75] Inventors: Shinzo Murakami; Yoshitaka Ueda, both of Fukuoka, Japan

[73] Assignee: Matsushita Electric Industrial Co., Ltd., Osaka, Japan

[\*\*] Term: 14 Years

[21] Appl. No.: 147,827

[22] Filed: Jan. 25, 1988

[30] Foreign Application Priority Data

Jul. 28, 1987 [JP] Japan ..... 62-30614  
Jul. 28, 1987 [JP] Japan ..... 62-30615

[52] U.S. Cl. .... D14/138; D14/148; D14/248; D14/142; D14/243

[58] Field of Search ..... D14/64, 69, 53, 62, D14/60; 379/433, 436, 434, 440, 428, 419, 58, 59

[56] References Cited

U.S. PATENT DOCUMENTS

- D. 254,435 3/1980 Ferron ..... D14/53
- D. 275,950 10/1984 Marshall ..... D14/53
- D. 282,544 2/1986 Wu ..... D14/53
- D. 282,738 2/1986 Nichols ..... D14/53
- D. 282,743 2/1986 Huang ..... D14/53
- D. 284,468 7/1986 Matras ..... D14/69 X
- D. 297,734 9/1988 Soren et al. .... D14/64
- D. 297,735 9/1988 Soren et al. .... D14/64
- D. 298,940 12/1988 Law ..... D14/60 X
- 4,018,998 4/1977 Wegner ..... 379/433 X

FOREIGN PATENT DOCUMENTS

59-13959 8/1984 Japan ..... 379/433

OTHER PUBLICATIONS

Bell Phones Catalog by Northwestern Bell Phones showing the Excursion ® Sport stand up cordless telephone of Jun. 1987.

Sony Cordless Telephone Catalog, showing the SONY Freeline Cordless Telephone under Model Designation SPP-100, published 1986.

Primary Examiner—Horace B. Fay, Jr.

Attorney, Agent, or Firm—Sughrue, Mion, Zinn, Macpeak & Seas

[57] CLAIM

The ornamental design for cordless telephone set, as shown and described.

DESCRIPTION

FIG. 1 is a front, top and right side perspective view of the base unit of a cordless telephone set showing our new design;

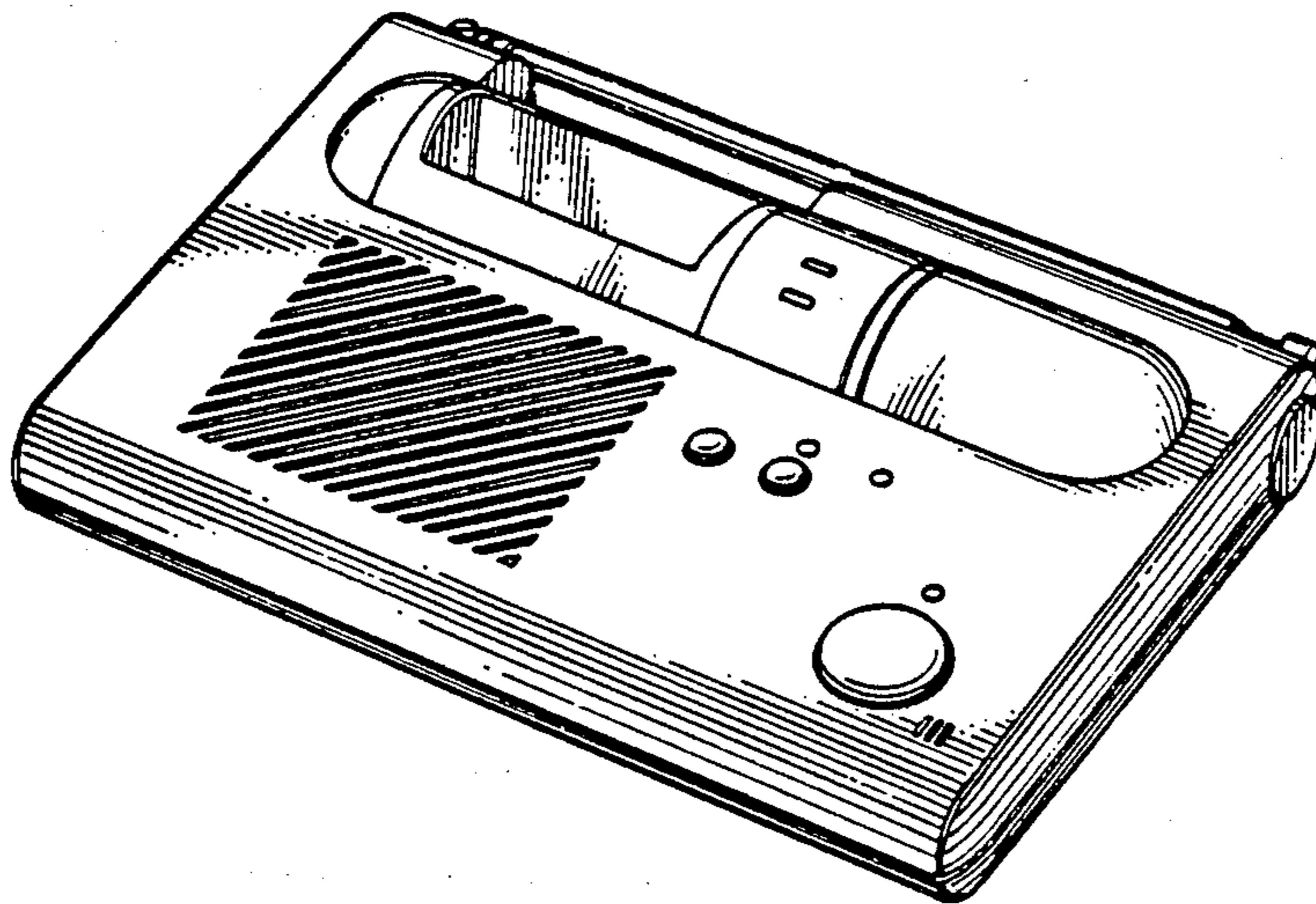
FIG. 2 is a bottom, rear, and left side perspective view thereof;

FIG. 3 is a perspective view of a foldable stand-up handset of the telephone set shown folded for mounting in the open well of the base unit as shown in FIG. 1;

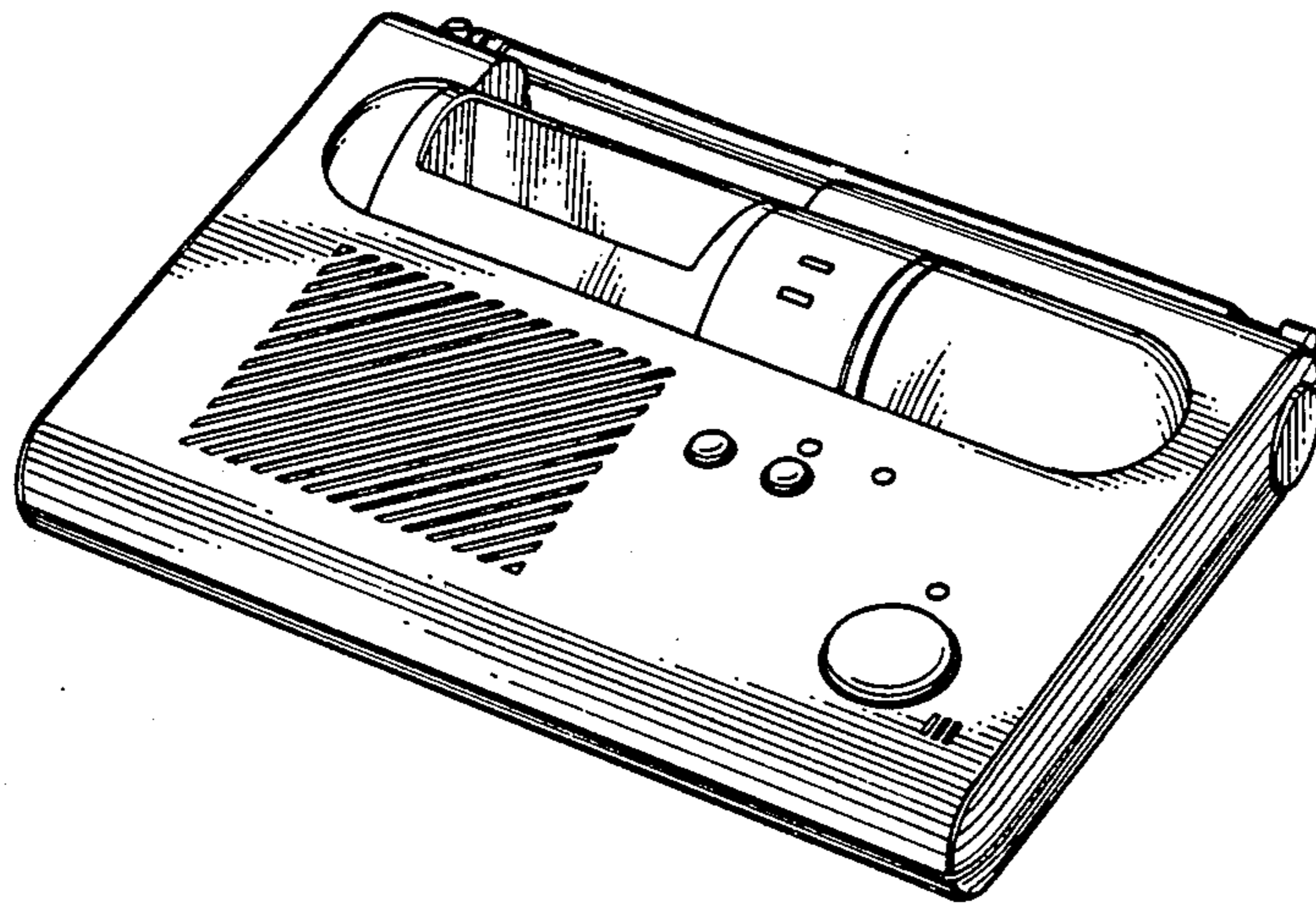
FIG. 4 is a perspective view of the handset unfolded in face open position;

FIG. 5 is an opposite perspective view of the handset unfolded as in FIG. 4; and

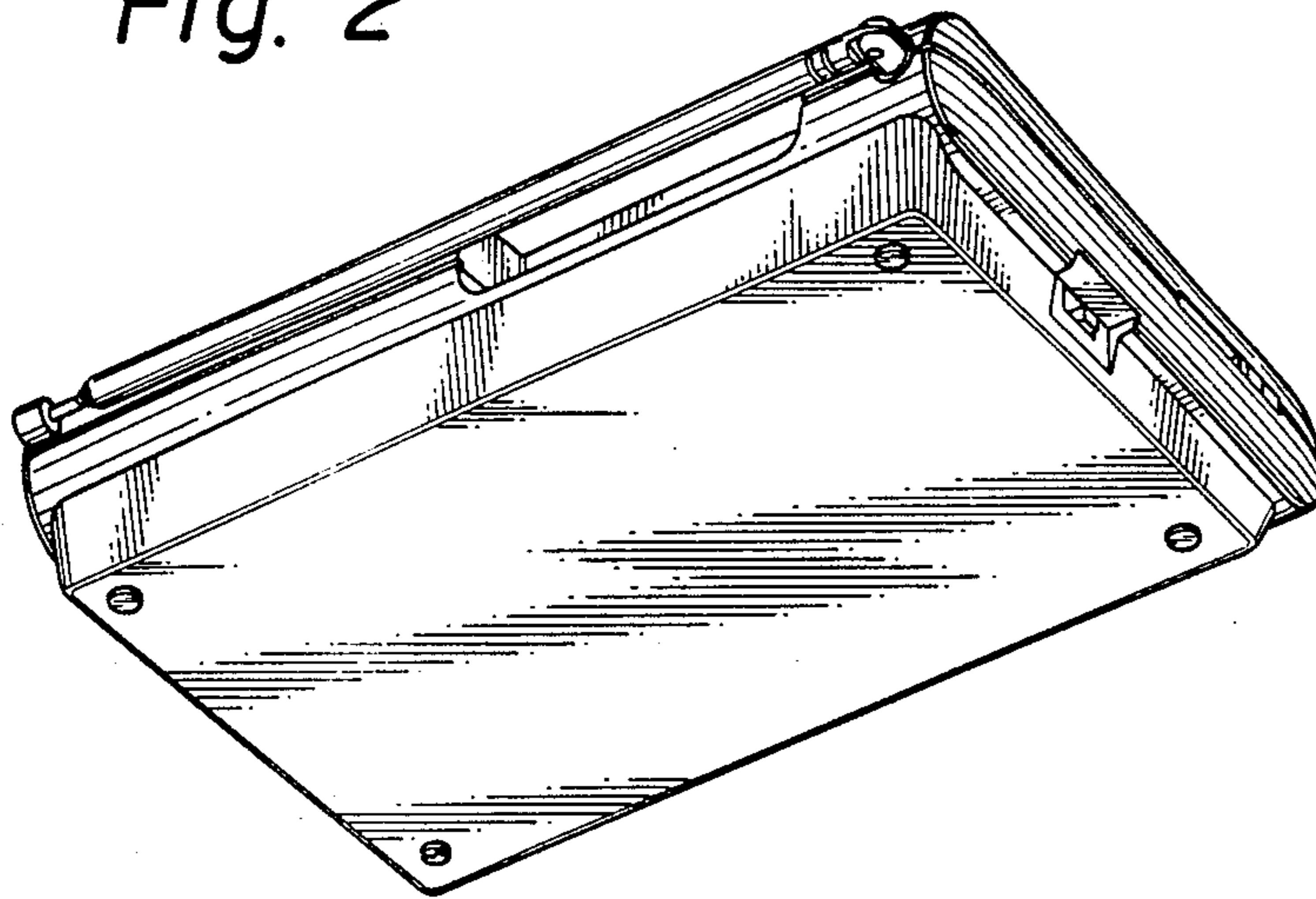
FIG. 6 is a front, top and right side perspective view of base unit with the folded handset in stand up position upon the base unit thereof.



*Fig. 1*



*Fig. 2*



*Fig. 3*

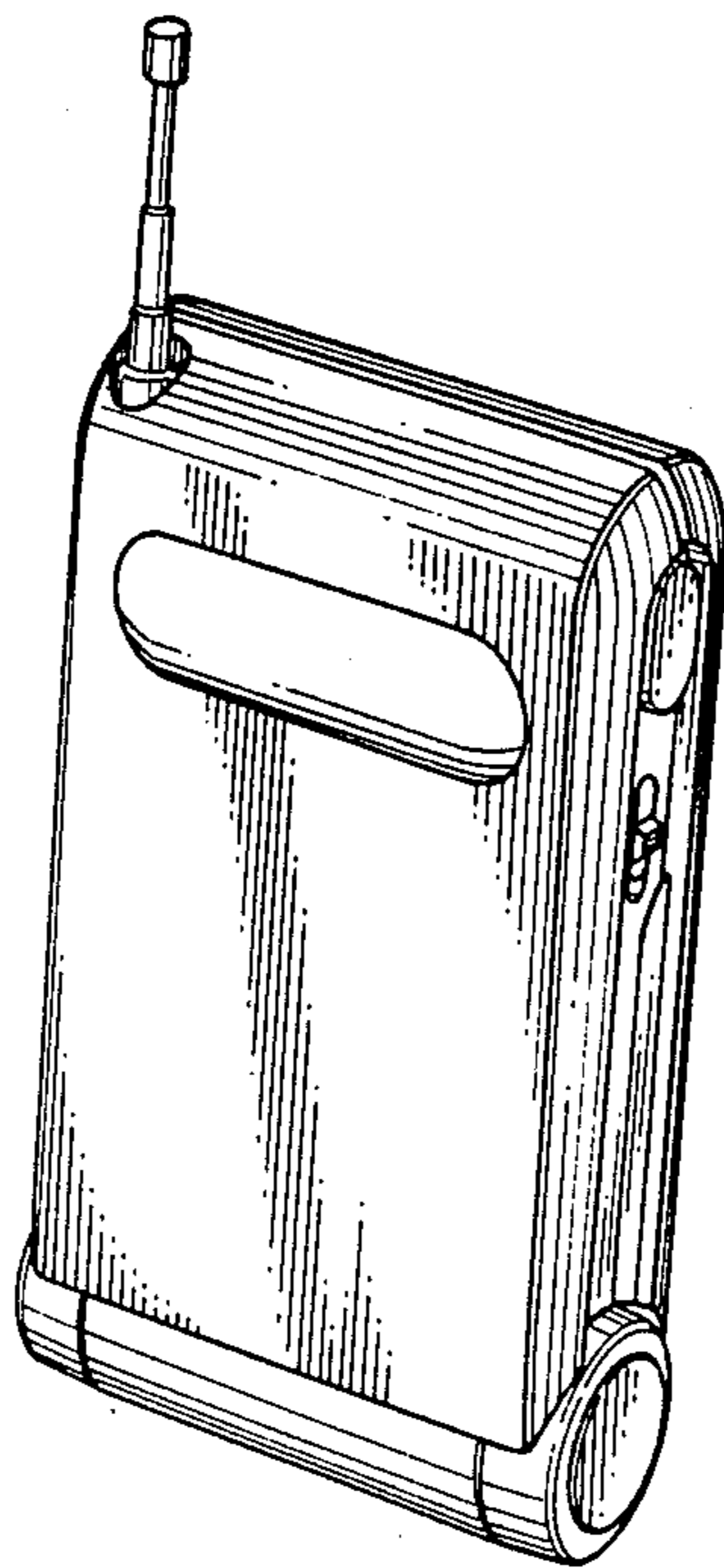




Fig. 4

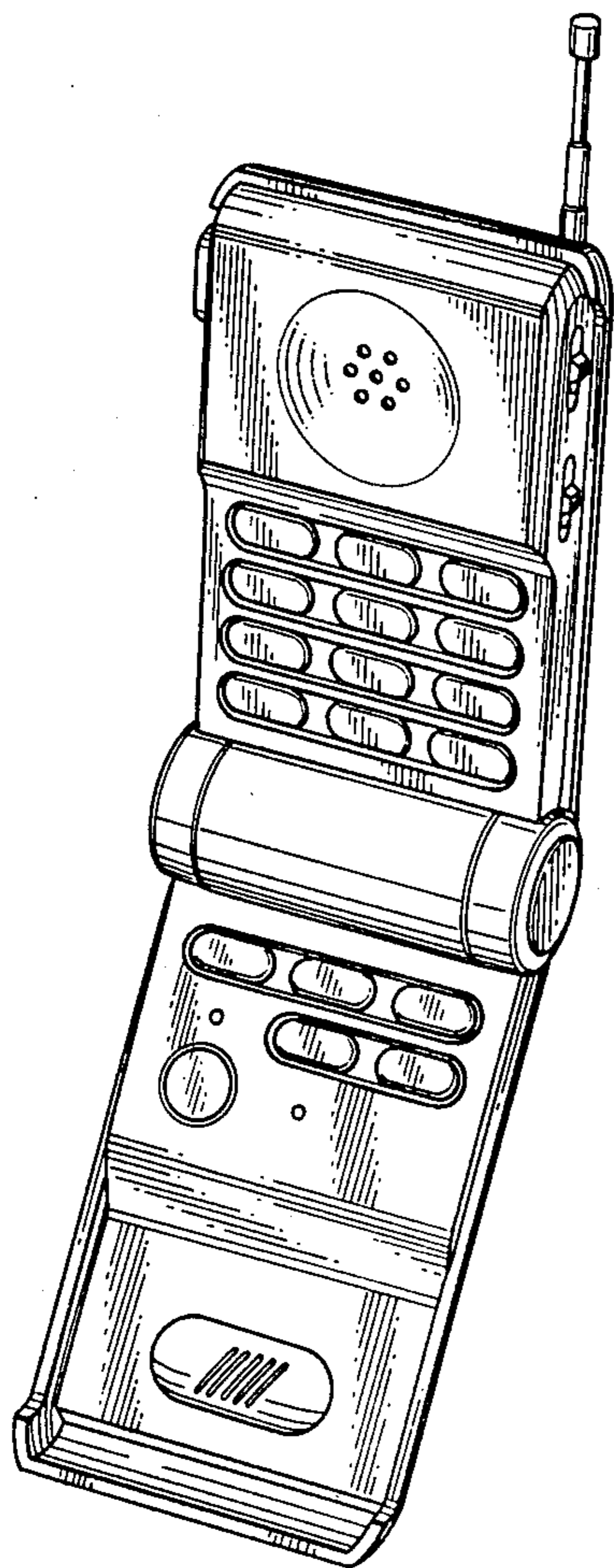


Fig. 5

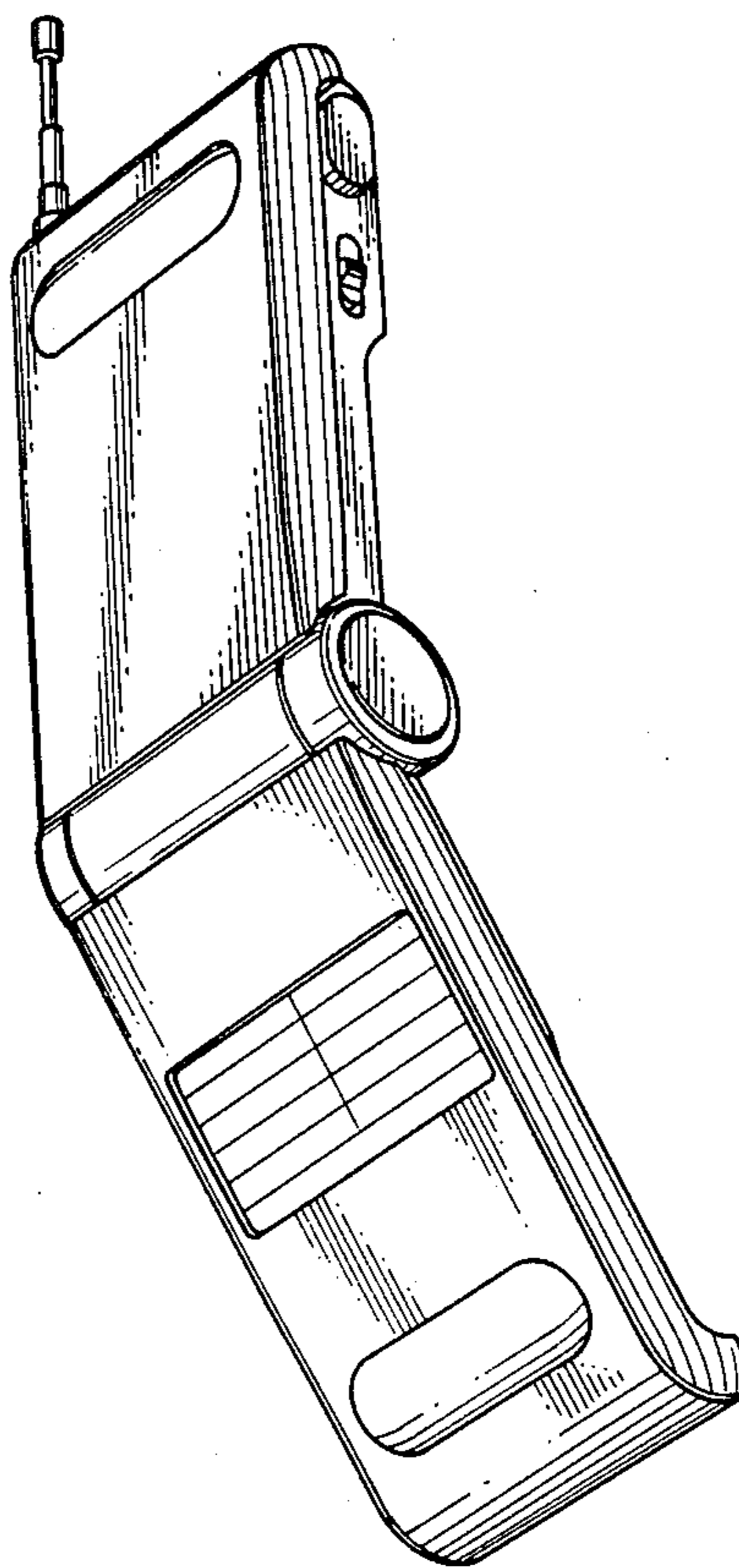


Fig. 6

