

[54] IMAGE INFORMATION READING MACHINE FOR ELECTRONIC COMPUTER

| | | | |
|-----------|--------|-----------------|-----------|
| 4,639,781 | 1/1987 | Rucci et al. | 358/163 |
| 4,672,184 | 6/1987 | Fujiwara et al. | 235/462 |
| 4,740,904 | 4/1988 | Nagle | 364/520 |
| 4,766,297 | 8/1988 | McMillan | 235/462 X |

[75] Inventors: Hiroyoshi Iwasaki, Chino; Yasuhiko Nakayama, Suwa, both of Japan

Primary Examiner—Susan J. Lucas
Assistant Examiner—Freda S. Nunn
Attorney, Agent, or Firm—James E. Nilles

[73] Assignee: Chinon Kabushiki Kaisha, Nagano, Japan

[**] Term: 14 Years

[57] CLAIM

[21] Appl. No.: 63,521

The ornamental design for image information reading machine for electronic computer, as shown and described.

[22] Filed: Jun. 18, 1987

[30] Foreign Application Priority Data

DESCRIPTION

Dec. 22, 1986 [JP] Japan 61-50682

[52] U.S. Cl. D14/107

[58] Field of Search D14/100, 105, 107, 111, D14/114, 116; D16/1, 2, 27, 28, 29, 30, 32; D18/13, 22, 23; 354/80, 81, 82; 355/1, 7, 8, 19, 14 SH, 45, 46, 47; 235/475, 479, 440, 454, 462, 470, 471, 472, 473, 483, 484, 486; 250/203 R, 216, 566, 568; 382/58, 59, 62, 63, 65, 66, 67, 68; 358/285, 286, 256, 292, 293, 294, 163; 364/520

FIG. 1 is a top plan view of an image information reading machine for electronic computer showing my new design;

FIG. 2 is a bottom plan view thereof;

FIG. 3 is a front elevational view thereof;

FIG. 4 is a rear elevational view thereof;

FIG. 5 is a left side elevational view thereof;

FIG. 6 is a right side elevational view thereof;

FIG. 7 is an enlarged cross-sectional view thereof as taken from line VII—VII of FIG. 3;

FIG. 8 is an enlarged, cross-sectional view thereof as taken from line VIII—VIII of FIG. 6;

FIG. 9 is a top and left front perspective view thereof on a reduced scale.

[56] References Cited

U.S. PATENT DOCUMENTS

| | | | |
|------------|--------|---------------|-----------|
| D. 296,328 | 6/1988 | Austin et al. | D14/107 |
| 4,369,361 | 1/1983 | Swartz et al. | 235/454 X |

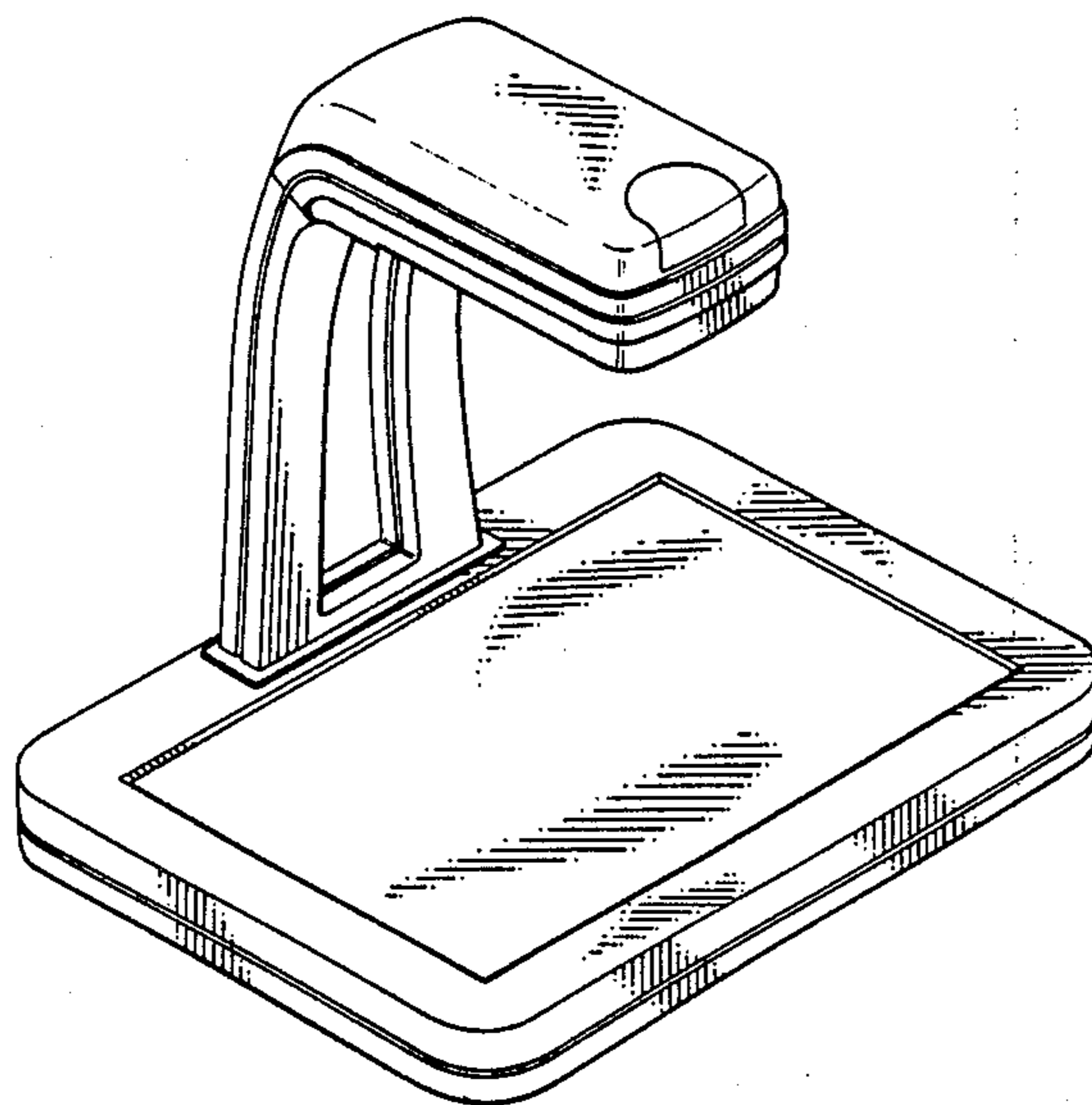


FIG. 1

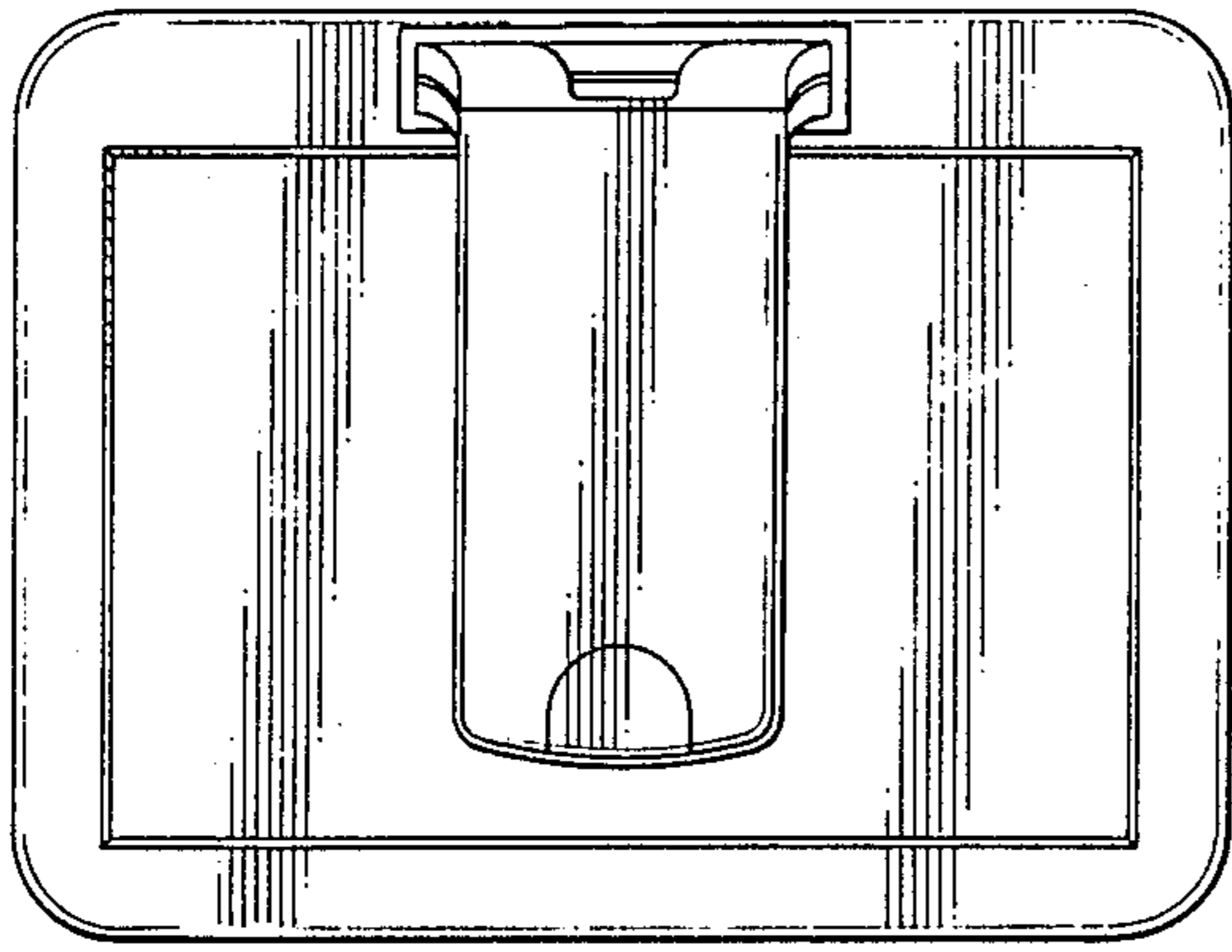


FIG. 2

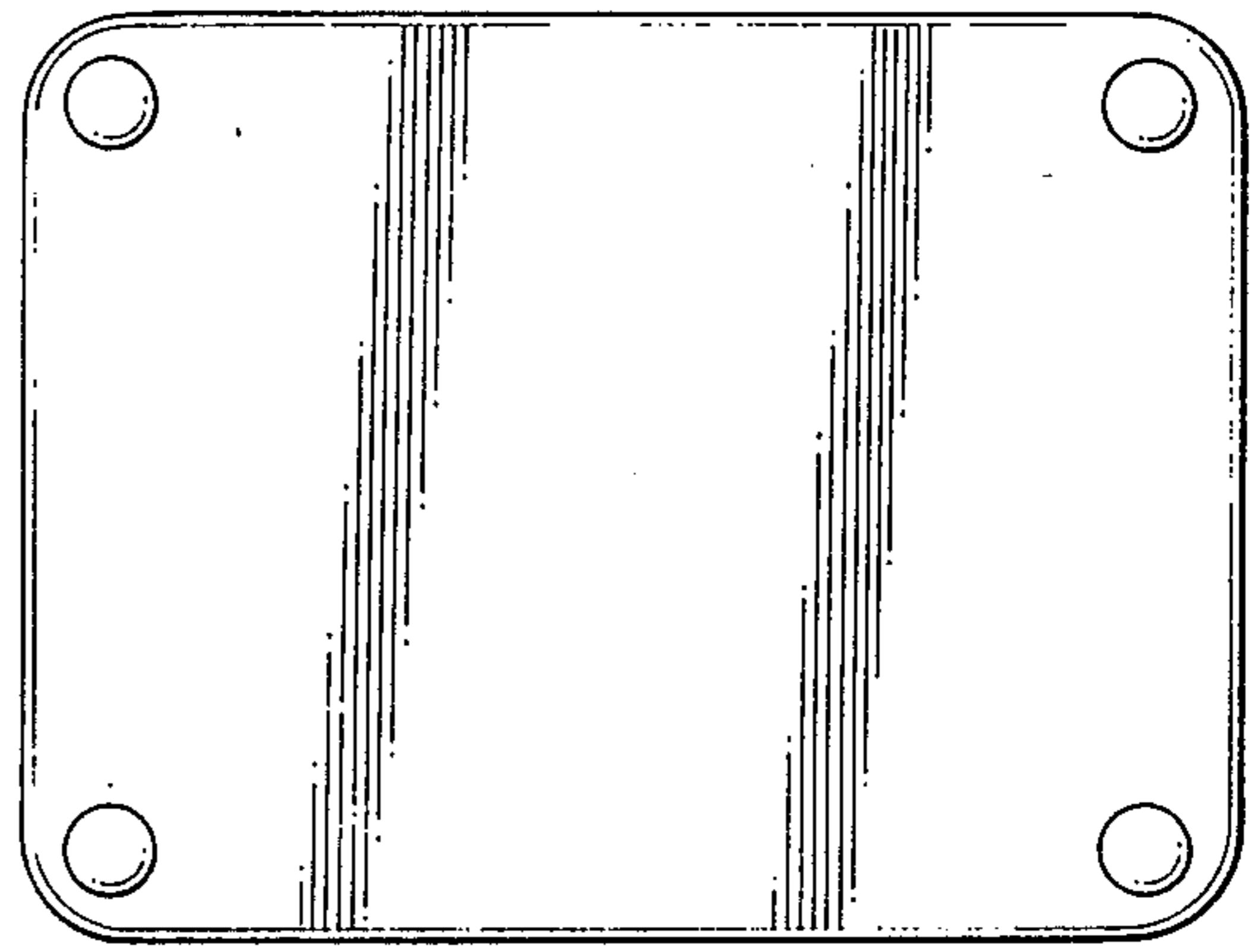


FIG. 3

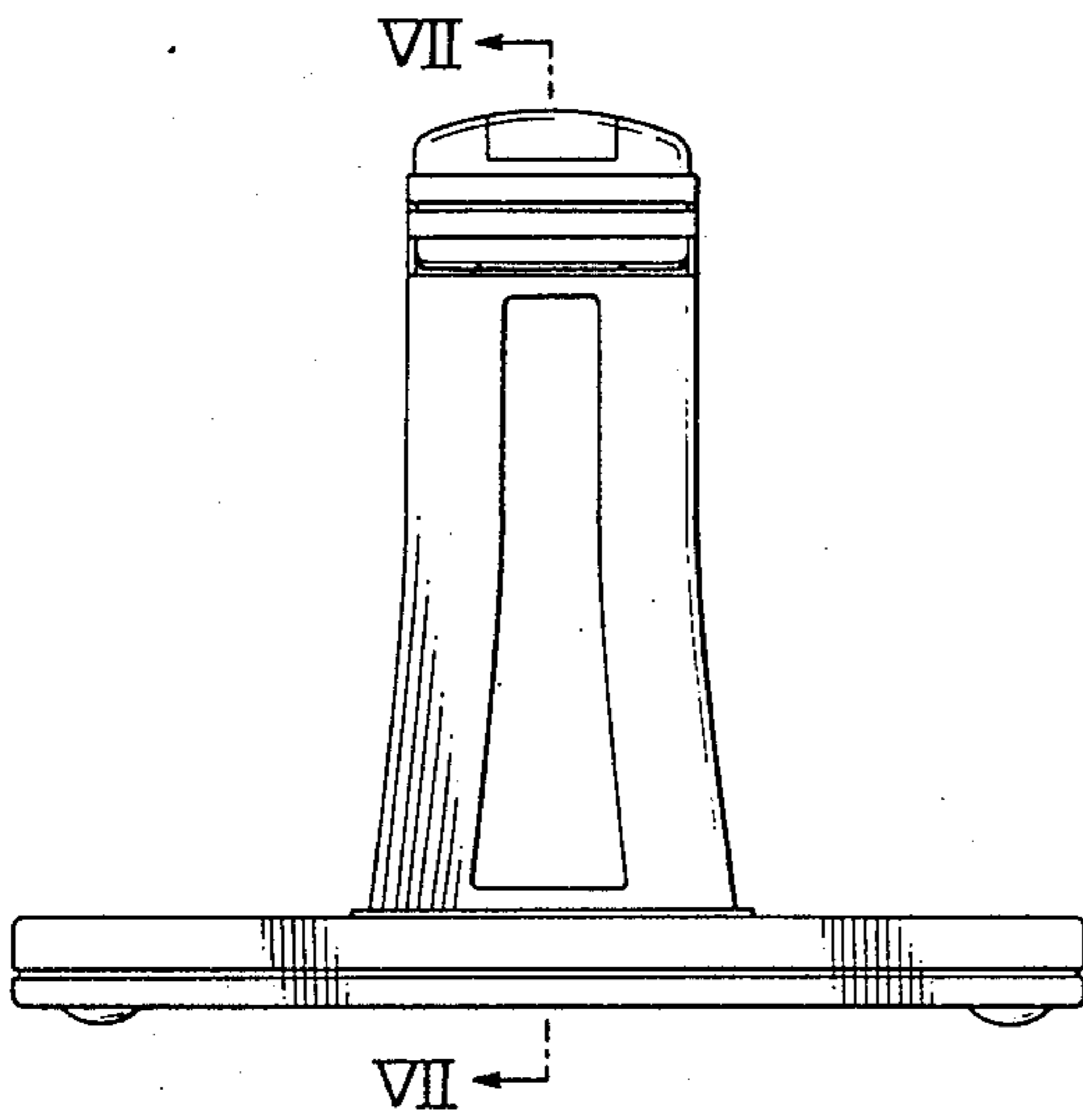


FIG. 4

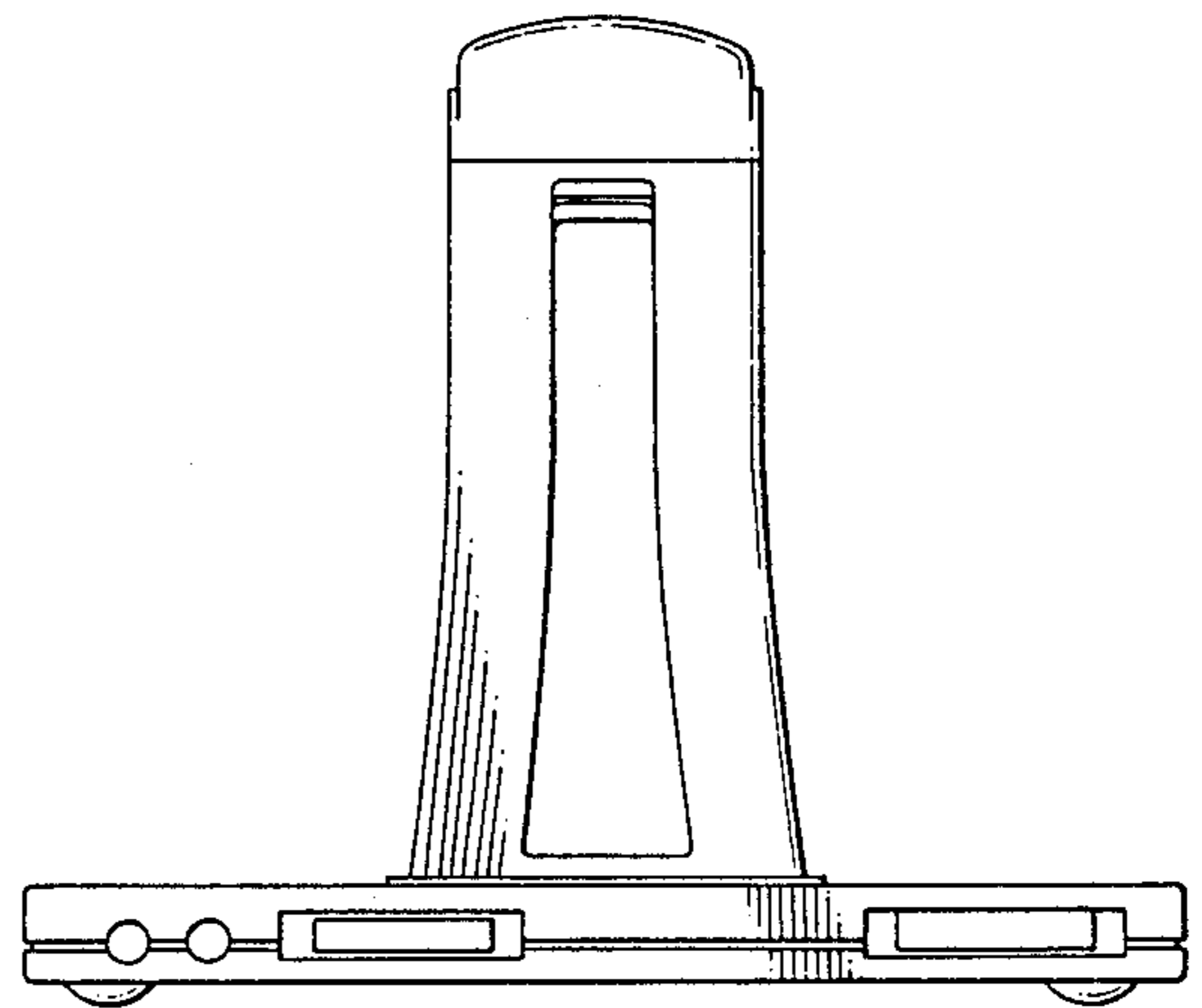


FIG. 5

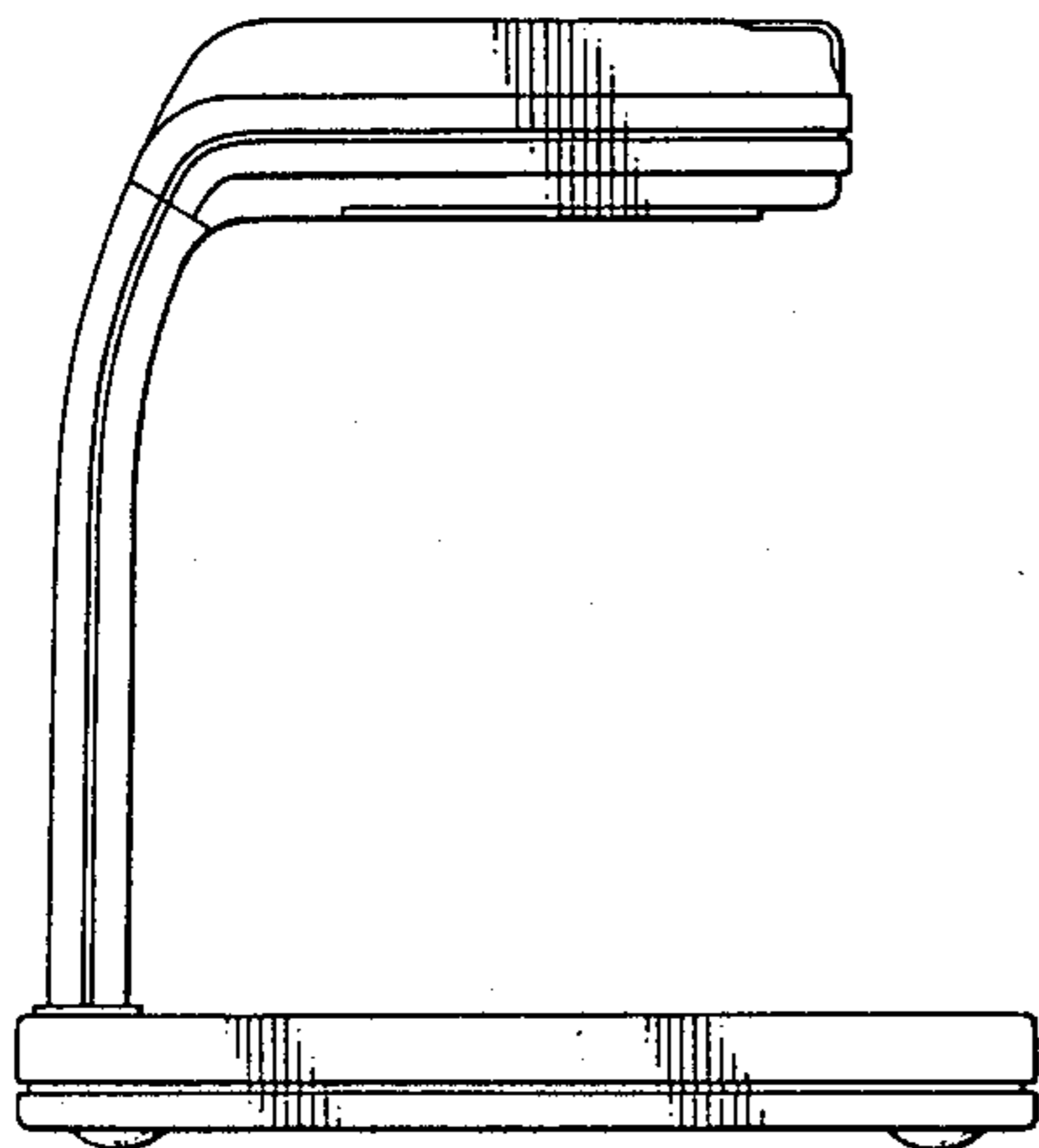


FIG. 6

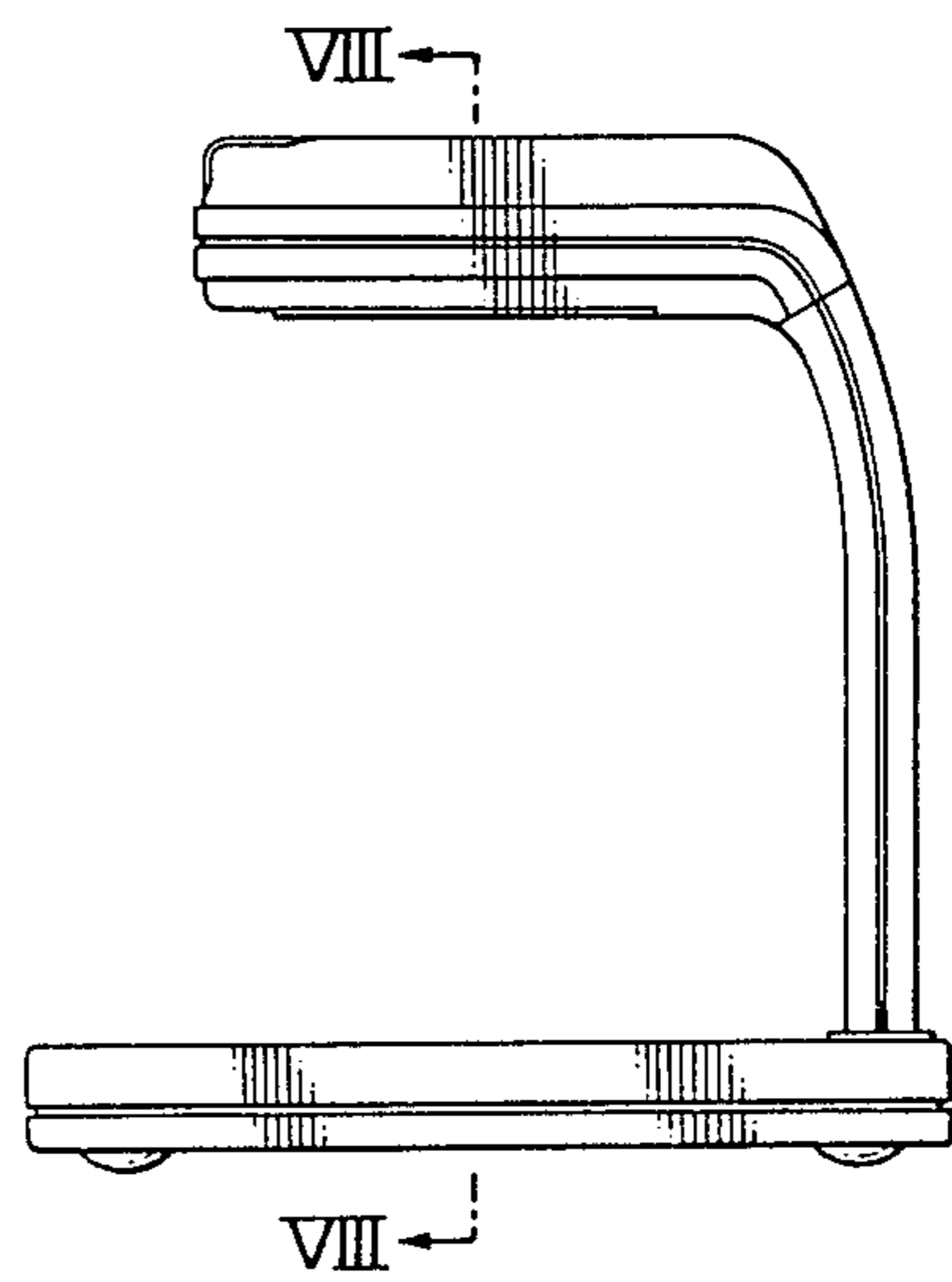


FIG. 9

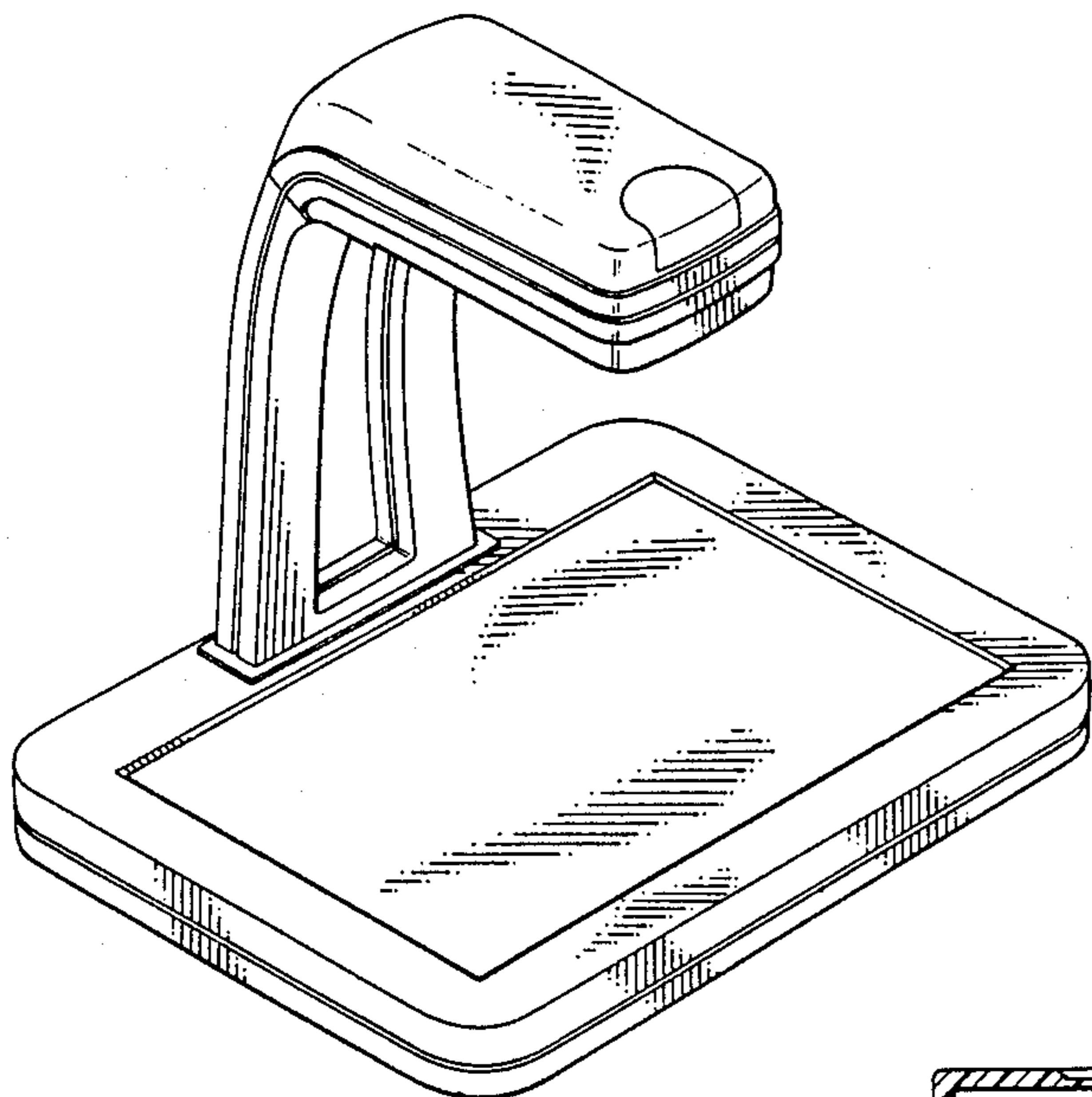


FIG. 7

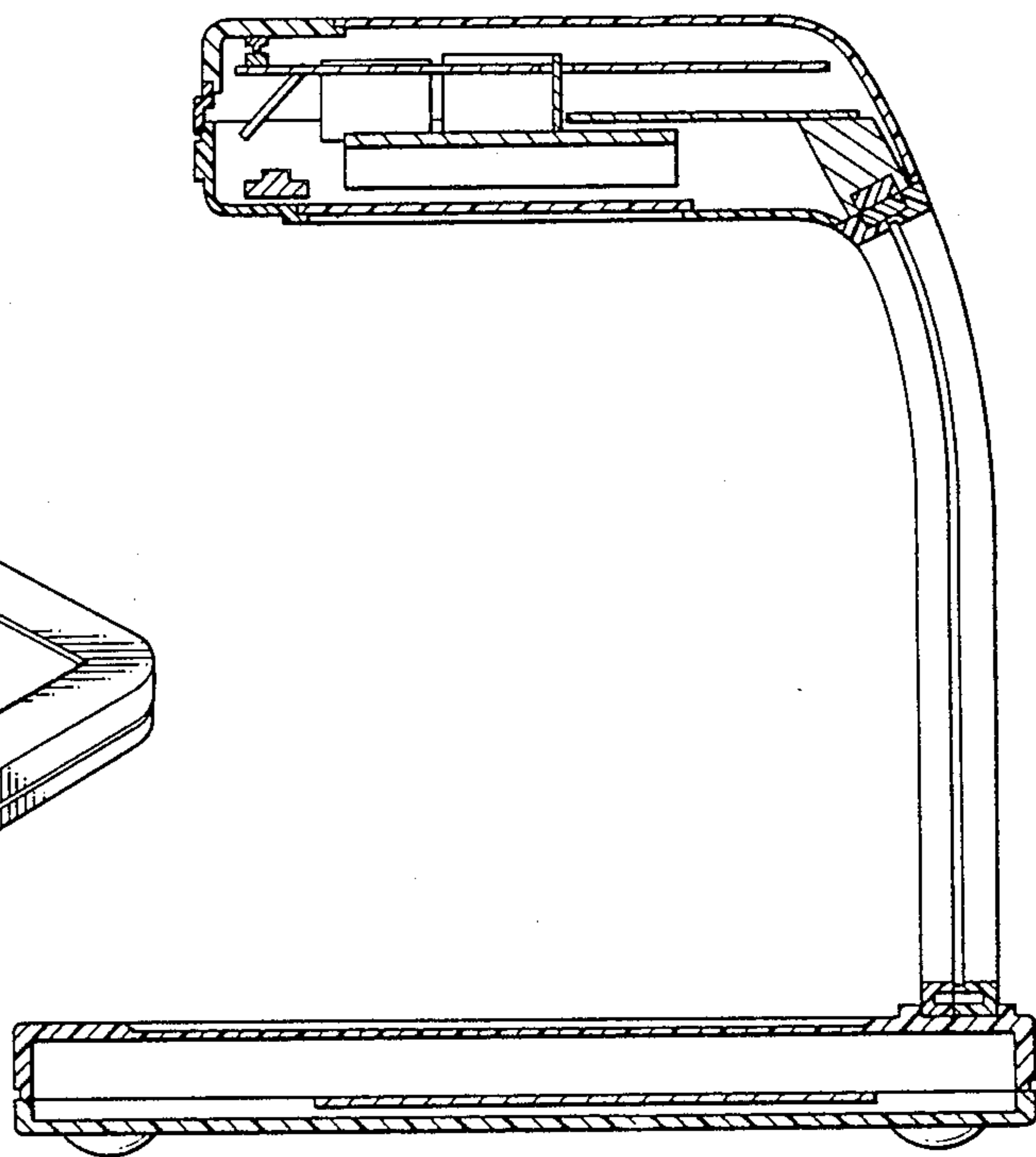


FIG. 8

