

[54] CHARGER FOR A HAND-HELD MIXER

[75] Inventor: Hans-Jürgen Precht, Solingen, Fed. Rep. of Germany

[73] Assignee: Robert Krups Stiftung & Co. KG, Solingen, Fed. Rep. of Germany

[\*\*] Term: 14 Years

[21] Appl. No.: 40,326

[22] Filed: Apr. 20, 1987

[52] U.S. Cl. .... D13/6; D9/412

[58] Field of Search ..... D13/4-6, D13/11-12, 41; 320/2-5, 48, 61; D14/76, 99; 429/97-100; D7/376, 379, 412

[56] References Cited

U.S. PATENT DOCUMENTS

D. 182,689	4/1958	Rutan	.....	D7/376
D. 201,084	5/1965	Bradshaw	.....	D13/5
D. 211,850	8/1968	Shalvoy	.....	D13/6
D. 278,506	4/1985	Kafka	.....	D7/376
D. 287,810	1/1987	Osit	.....	D7/379
D. 291,767	9/1987	Osit	.....	D7/376
3,579,075	5/1971	Floyd	.....	D13/5
4,629,962	12/1986	Arakawa	.....	320/2

OTHER PUBLICATIONS

Hong Kong Enterprise, Sep. 1984, p. 362, "top center of page, Mixer Base".

Primary Examiner—Bruce W. Dunkins  
Assistant Examiner—Ruth Takemoto  
Attorney, Agent, or Firm—Peter K. Kontler

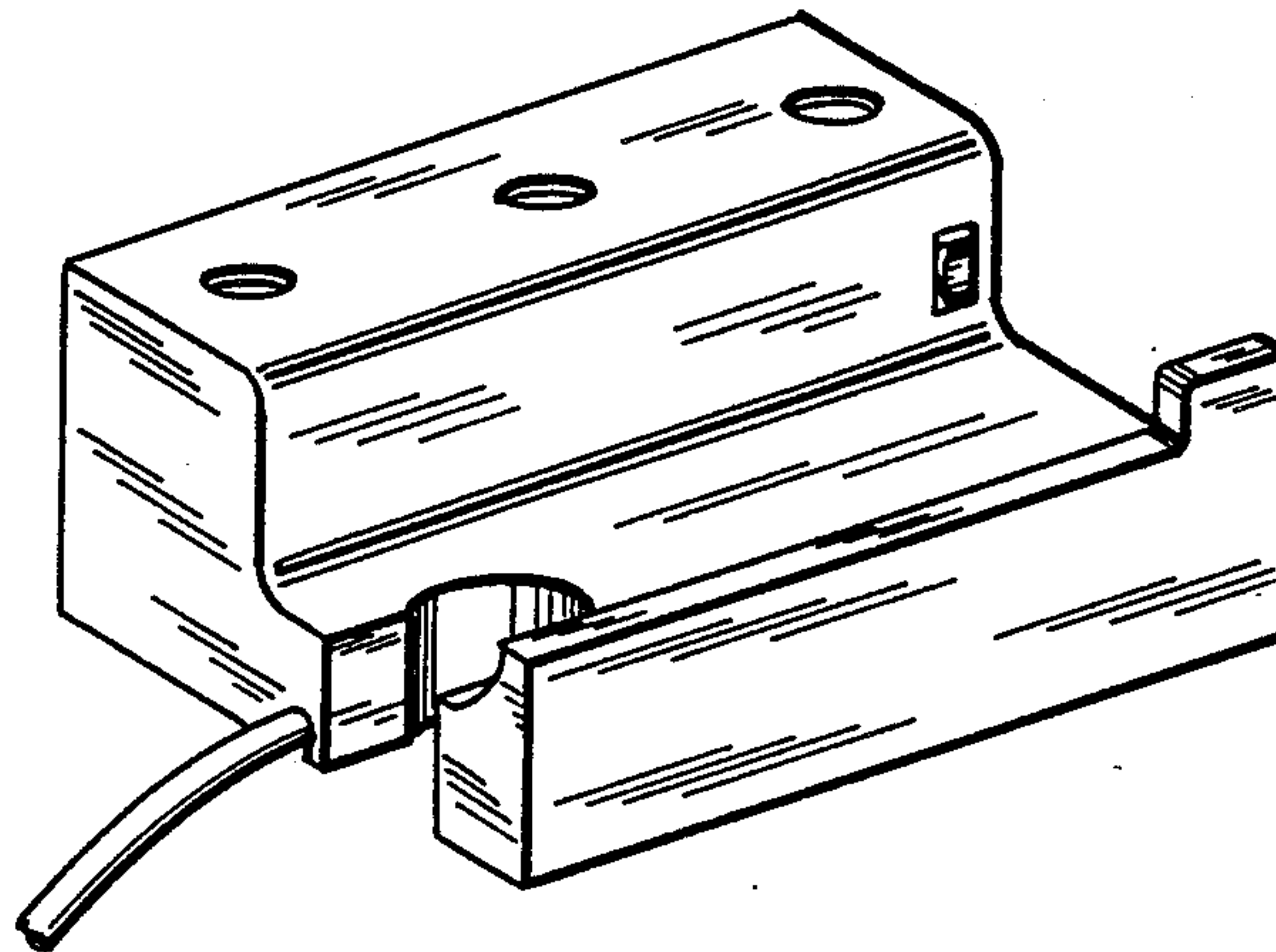
[57] CLAIM

The ornamental design of a charger for a hand-held mixer, as shown and described.

DESCRIPTION

FIG. 1 is a bottom plan view of a charger for a hand-held mixer showing my new design;  
FIG. 2 is a front elevational view thereof;  
FIG. 3 is a left side elevational view thereof;  
FIG. 4 is a top plan view thereof;  
FIG. 5 is rear elevational view thereof;  
FIG. 6 is a right side elevational view thereof; and  
FIG. 7 is a top, front and left side perspective view thereof.

The electric cord is shown broken away in FIGS. 1-5 and 7 for ease of illustration and is understood to represent indeterminate length.



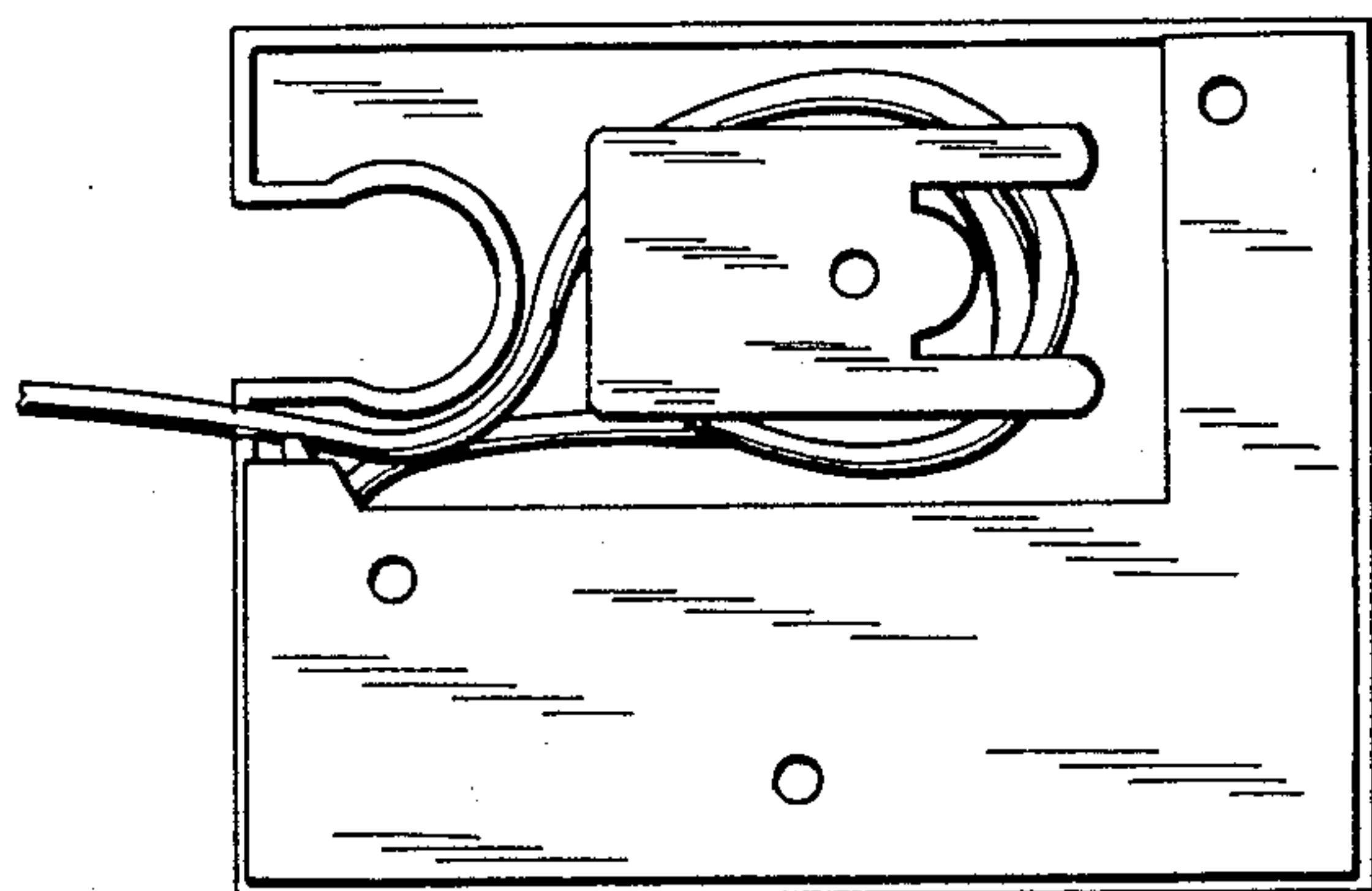


FIG. 1

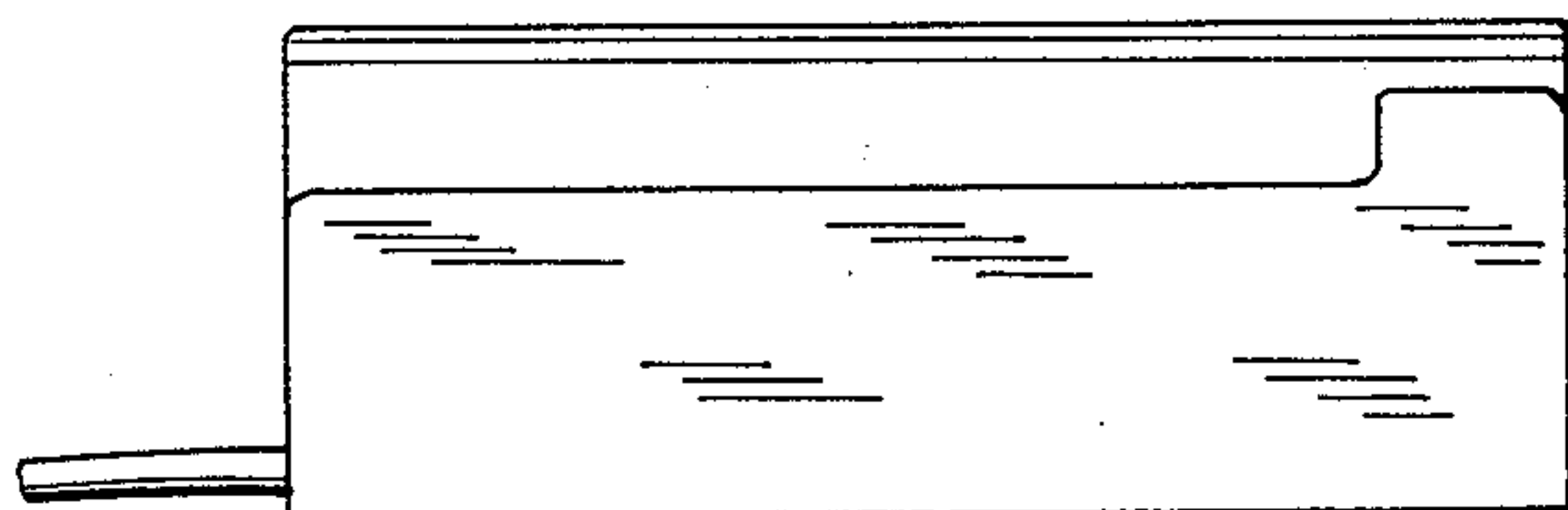


FIG. 2

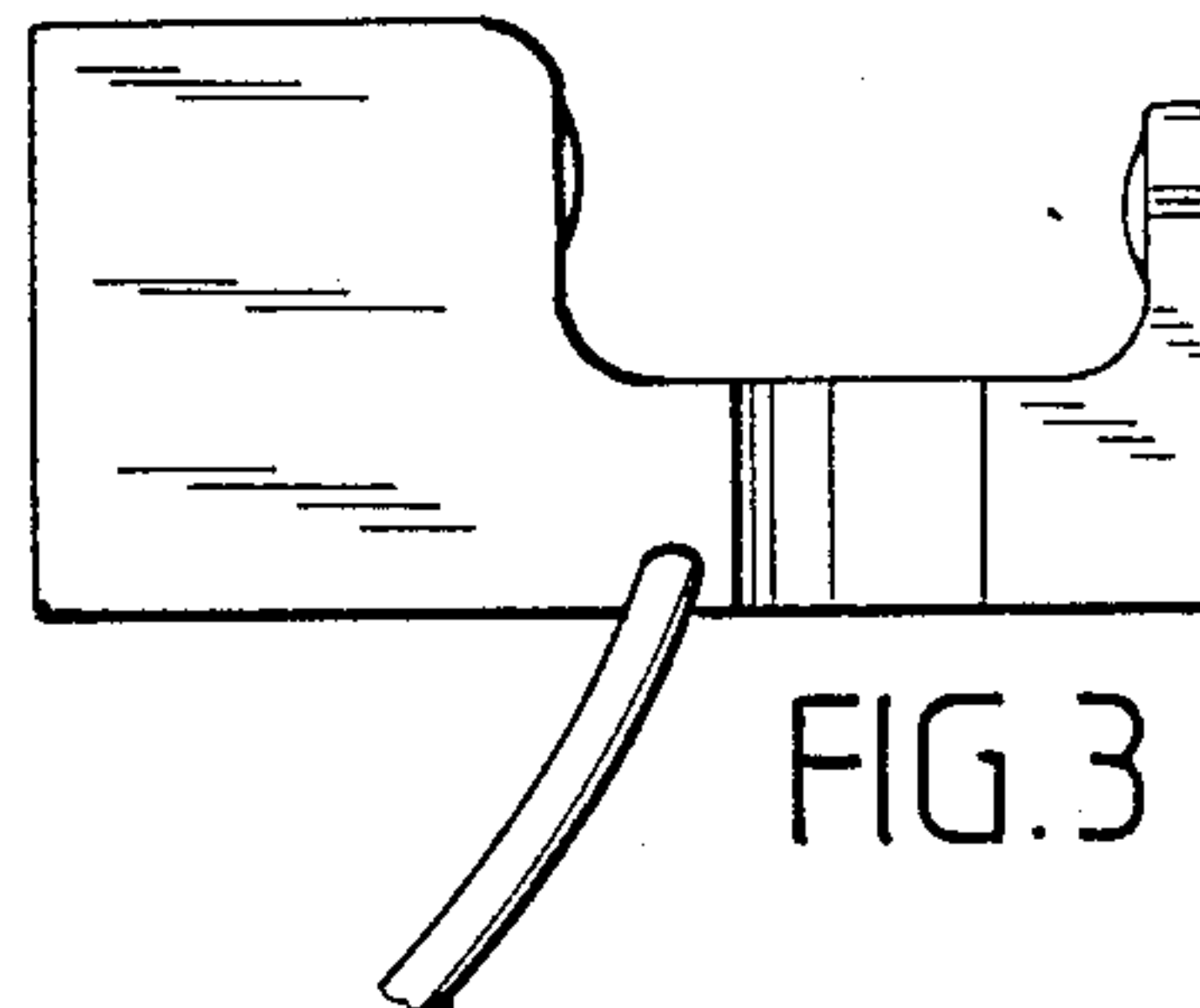


FIG. 3

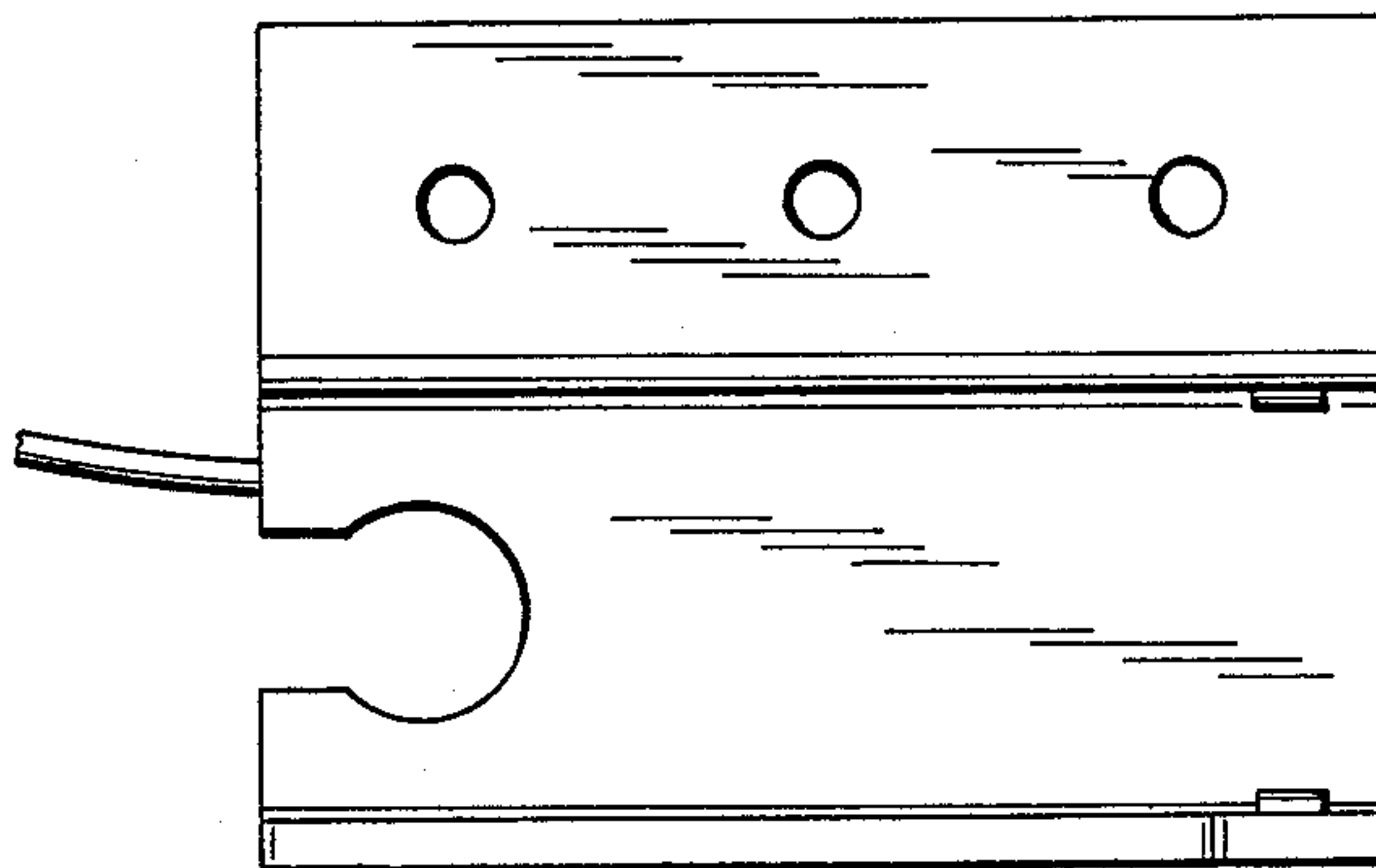


FIG. 4

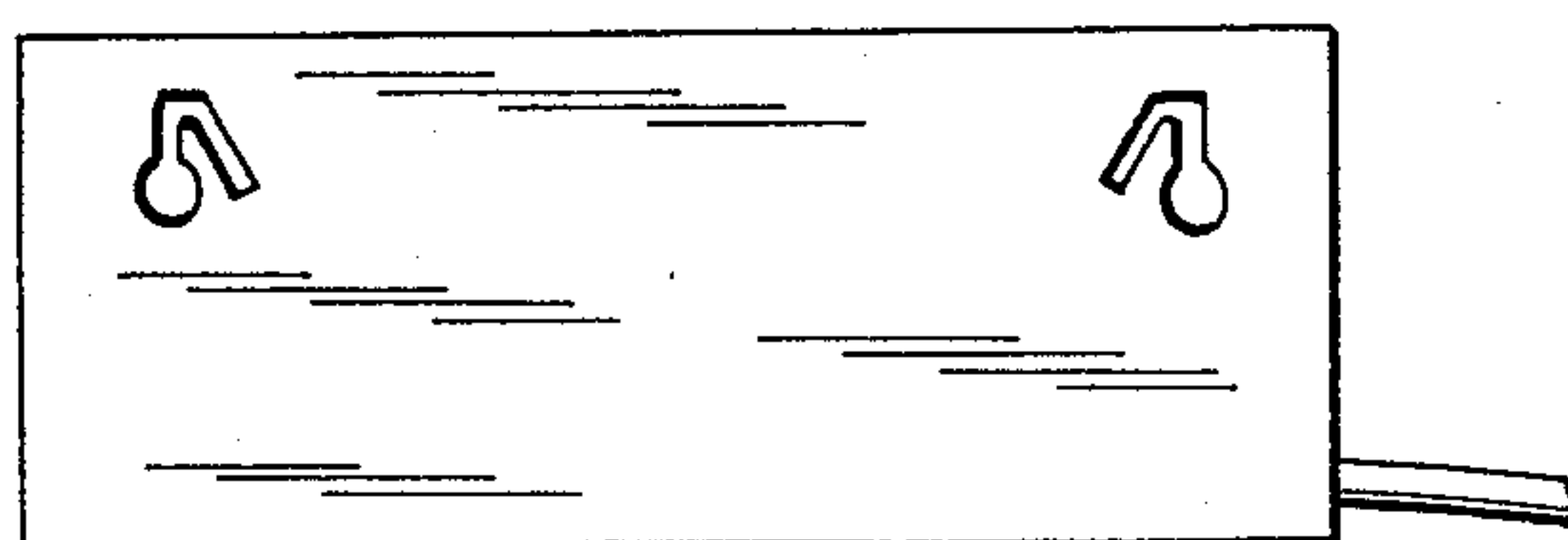


FIG. 5

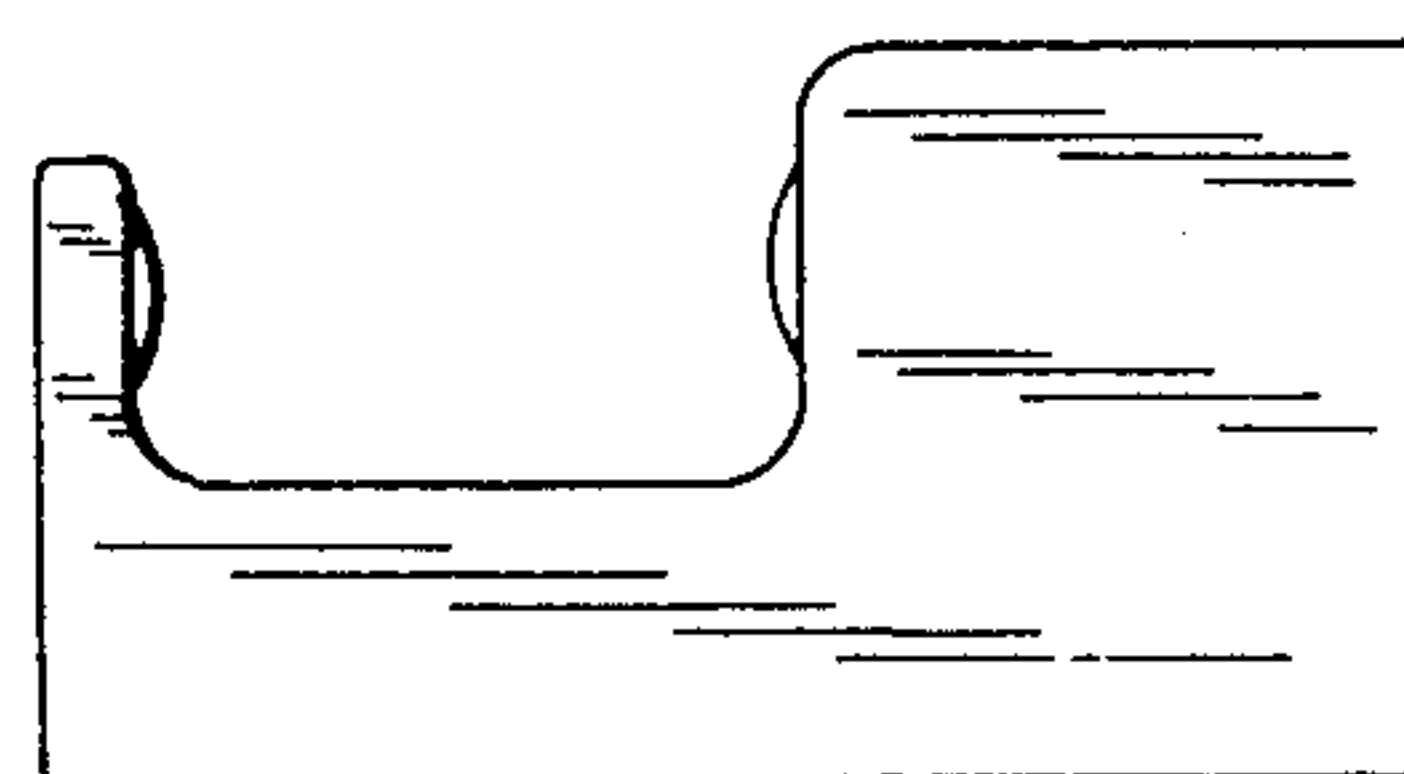


FIG. 6

FIG. 7

