

[54] BICYCLE PEDAL

[75] Inventor: Yoshiya Chounan, Souka, Japan

[73] Assignee: Sakae Ringyo Co., Ltd., Japan

[**] Term: 14 Years

[21] Appl. No.: 33,632

[22] Filed: Apr. 3, 1987

[52] U.S. Cl. D12/125

[58] Field of Search D12/125; 74/594.4

[56] References Cited

U.S. PATENT DOCUMENTS

- D. 25,487 5/1896 Handloser D12/125
- D. 26,178 10/1896 Warner D12/125
- D. 292,075 9/1987 Kiyota D12/125

FOREIGN PATENT DOCUMENTS

- 617707 2/1949 United Kingdom 74/594.4

OTHER PUBLICATIONS

American Bicyclist & Motorcyclist, p. 44, 8/85, Model JT906 Pedal, top right side of page.

American Bicyclist & Motorcyclist, 8/85, p. 45, VP-777 Pedal, bottom left side of page.

American Bicyclist & Motorcyclist, 8/85, p. 72, Chuan Yan Pedal No. 2, top center of page.

Primary Examiner—James M. Gandy

Attorney, Agent, or Firm—Lowe, Price, LeBlanc, Becker & Shur

[57] CLAIM

The ornamental design for a bicycle pedal, as shown.

DESCRIPTION

FIG. 1 is a perspective view of a bicycle pedal;

FIG. 2 is a top plan view thereof;

FIG. 3 is a front elevation view thereof;

FIG. 4 is a rear elevation view thereof in inverted condition;

FIG. 5 is a left end elevation view thereof;

FIG. 6 is a right end elevation view thereof; and,

FIG. 7 is a bottom plan view thereof.

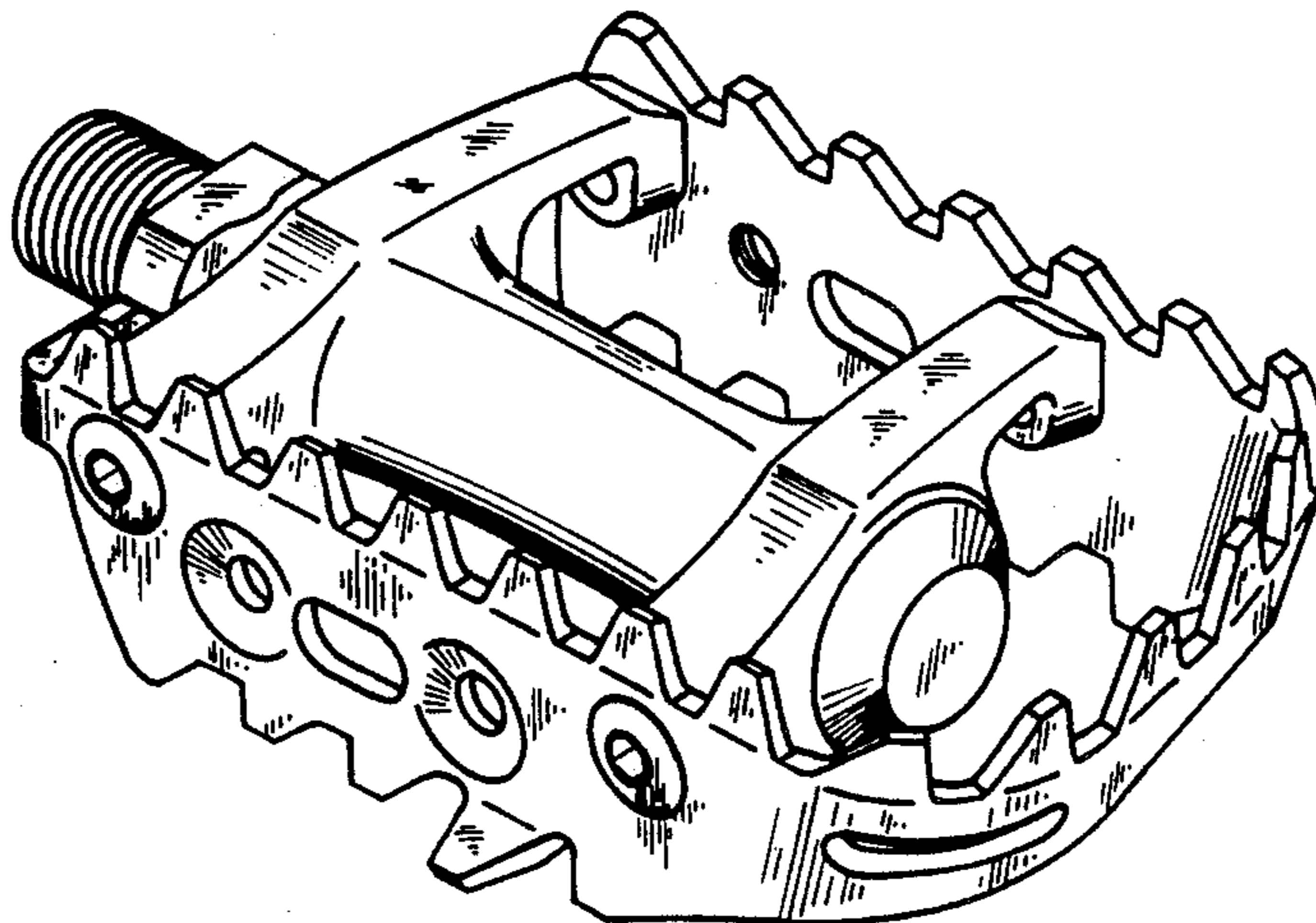


Fig.1

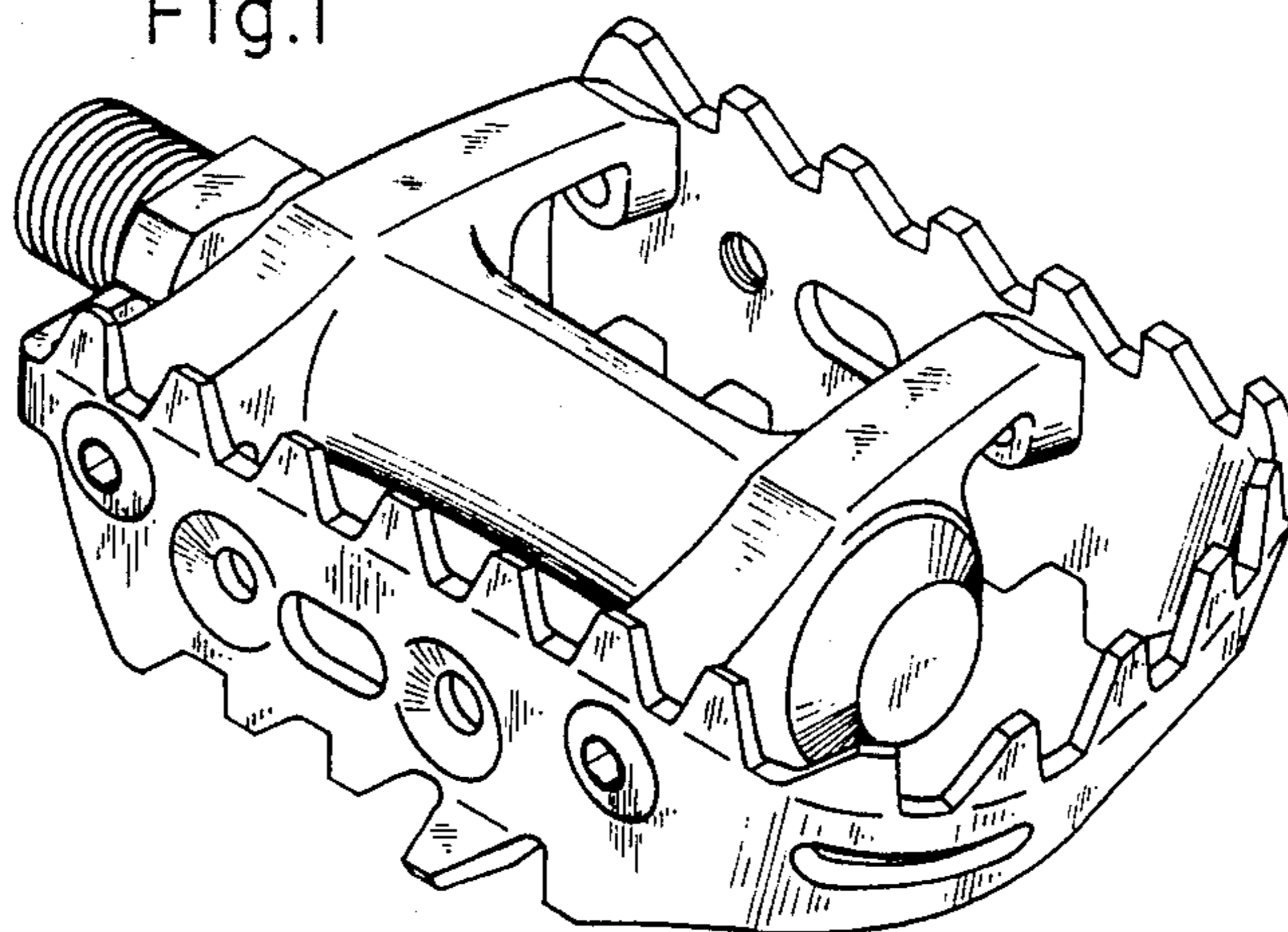


Fig. 2

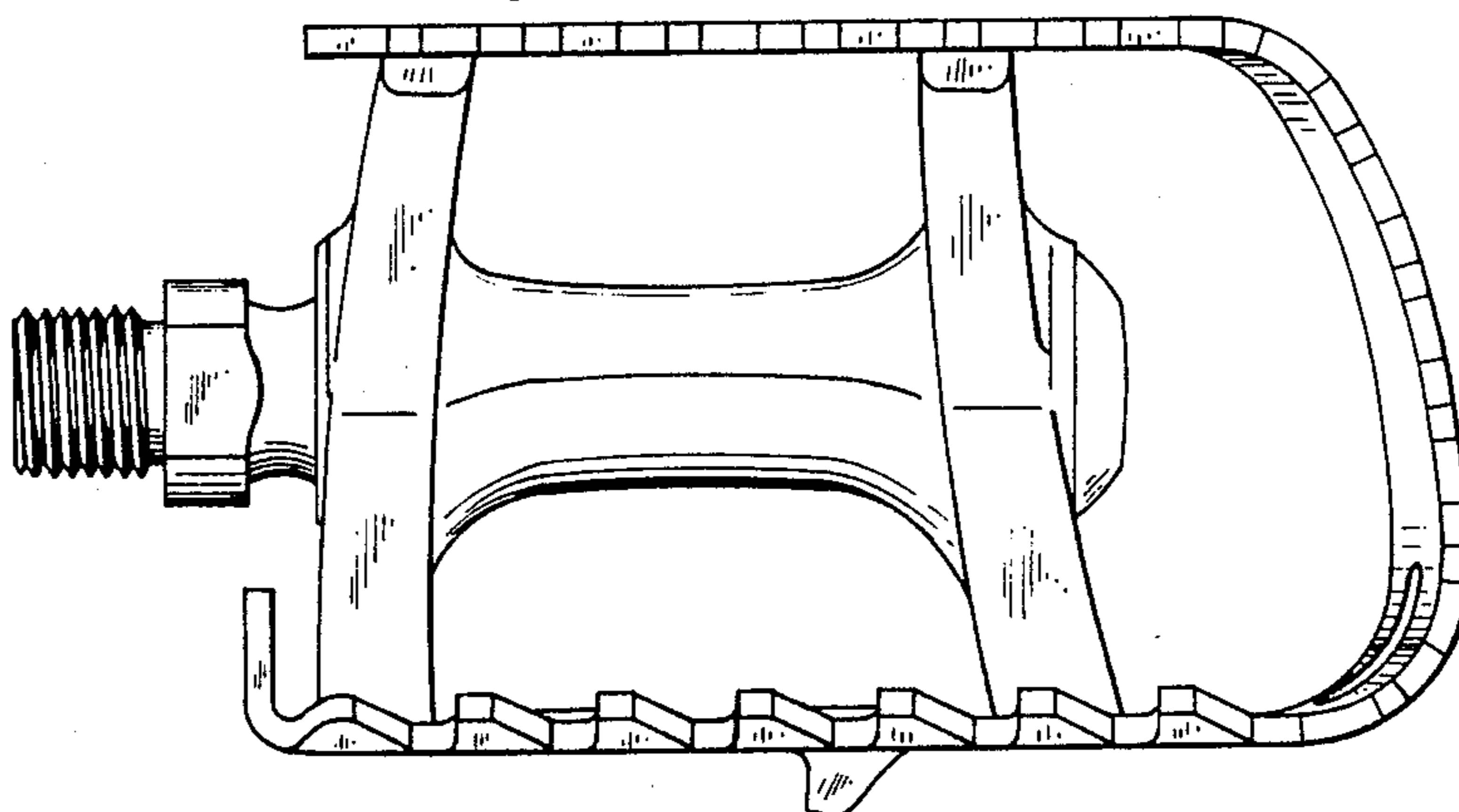


Fig. 3

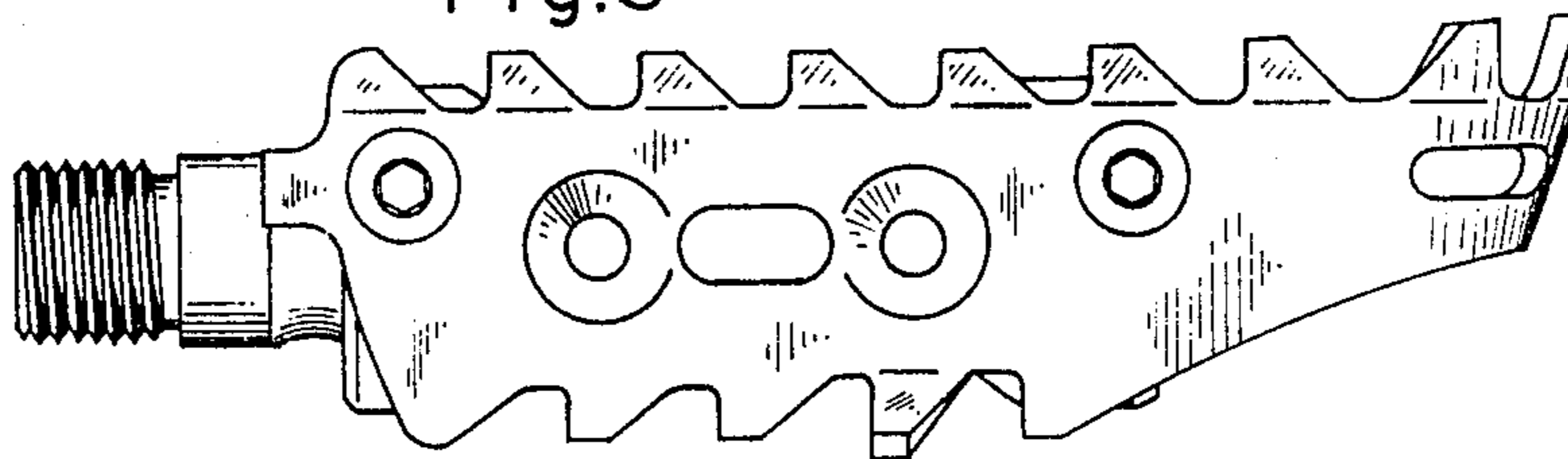


Fig. 4

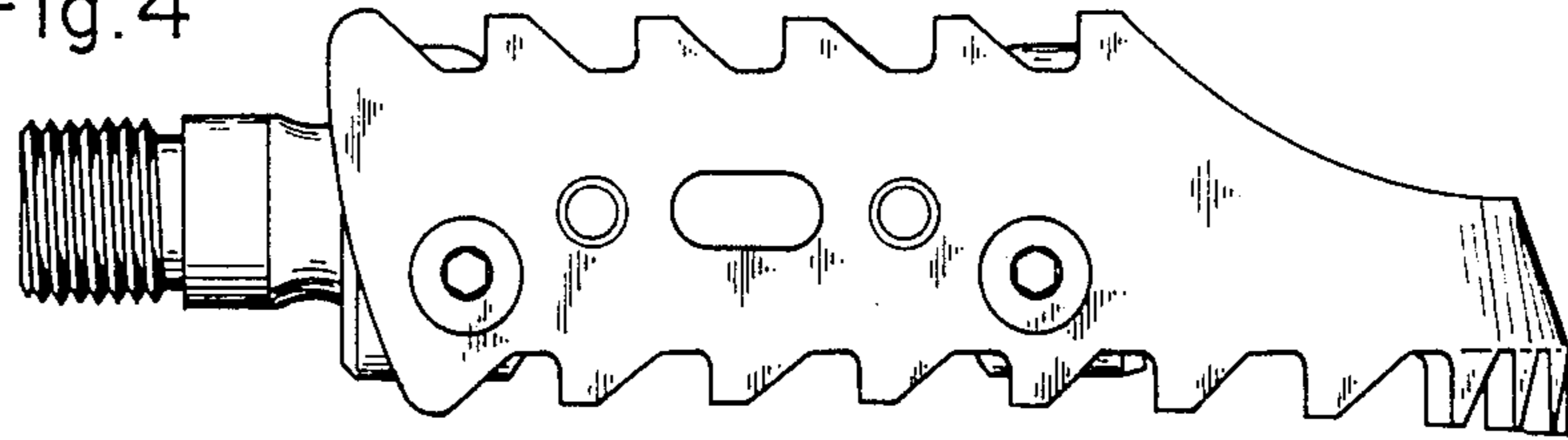


Fig. 5

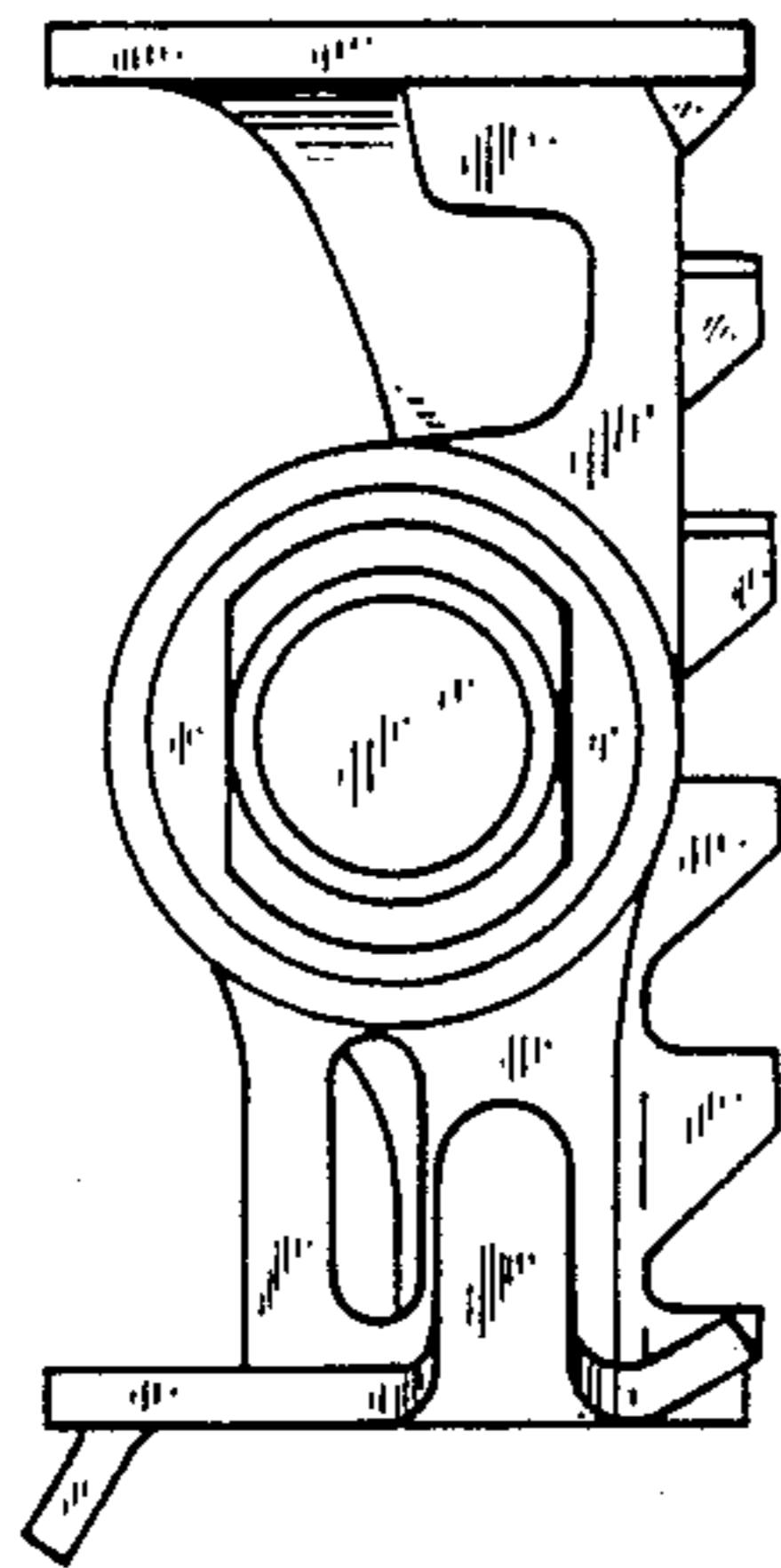


Fig. 6

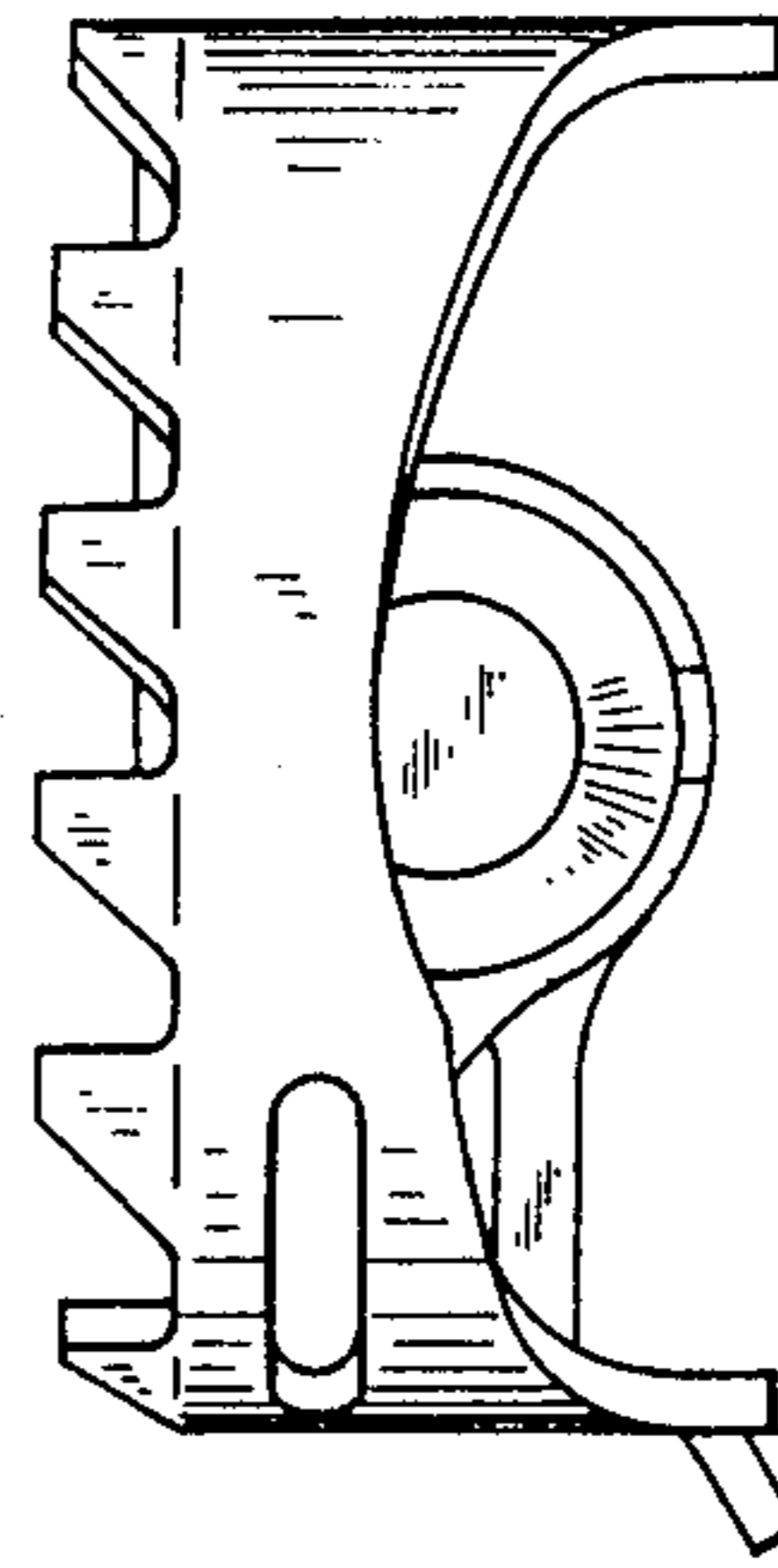


Fig. 7

