

[54] CONTAINER FOR BATTERIES

[76] Inventors: Victor Calcerano, R.D. #10 Whangtown Rd., Carmel, N.Y. 10512; David O'Brien, Star Rte., North Woodstock, Conn. 06244

[*] Notice: The portion of the term of this patent subsequent to Aug. 8, 2003 has been disclaimed.

[**] Term: 14 Years

[21] Appl. No.: 240,897

[22] Filed: Sep. 2, 1988

[52] U.S. Cl. D9/415

[58] Field of Search D9/305, 341, 345, 337, D9/414, 415, 424, 457; D13/8; 224/902; 206/461, 462, 463, 471, 824.1, 822, 434, 427, 45.33, 45.34, 333, 466; 429/99, 100

[56] References Cited

U.S. PATENT DOCUMENTS

D. 235,194 5/1975 Achenbach D9/305

D. 251,104	2/1979	Sanchez et al.	D9/341 X
2,359,297	10/1944	Brogden	206/434
3,557,947	1/1971	Greenweu	D9/345 X
3,966,045	6/1976	Perdue	206/471 X

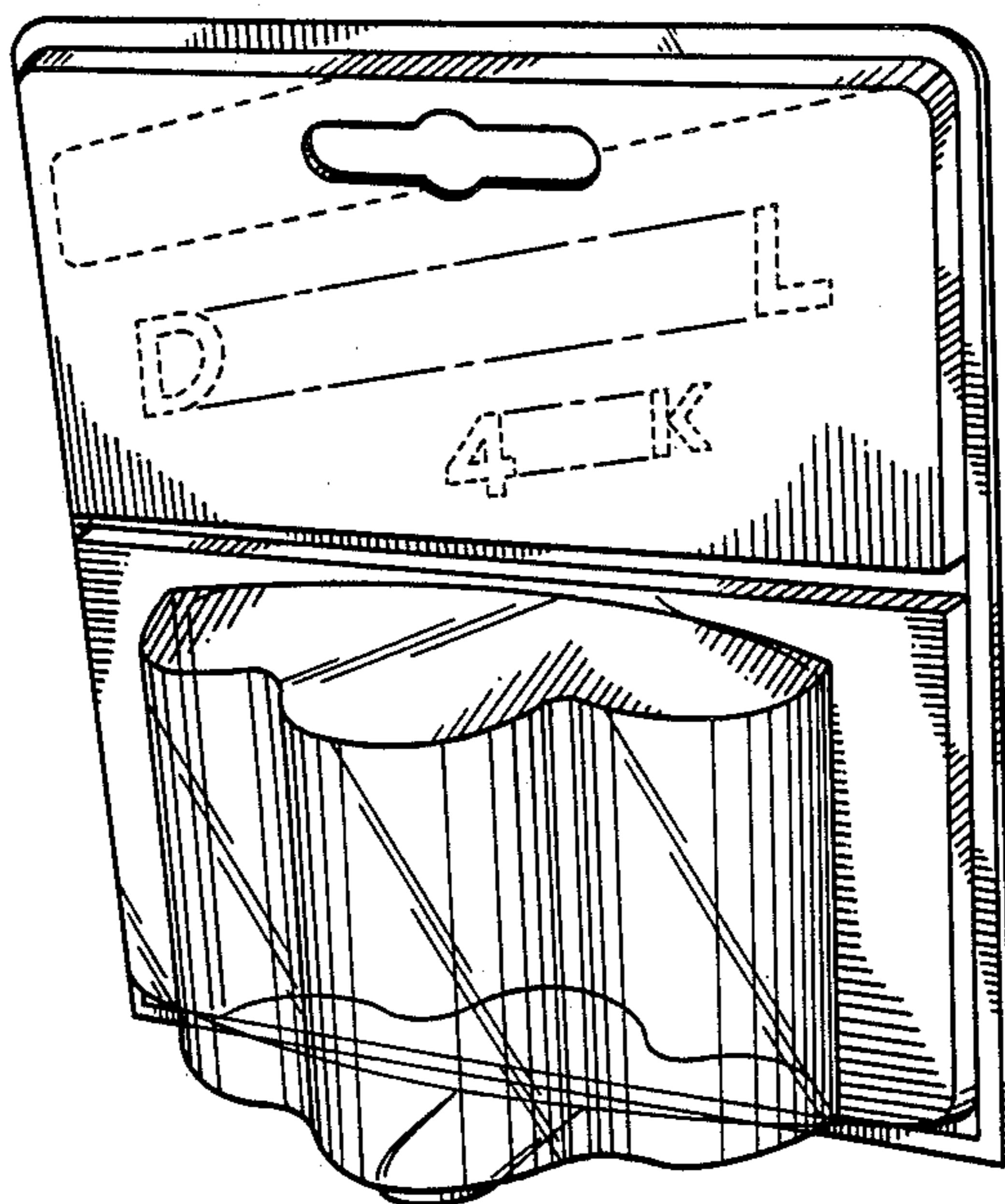
Primary Examiner—Bernard Ansher
Assistant Examiner—Prabhakar Deshmukh

[57] CLAIM

The ornamental design for a container for batteries, as shown and described.

DESCRIPTION

FIG. 1 is a front elevation of a container for batteries showing our new design;
FIG. 2 is a right side elevation view thereof; the left side elevation is a mirror image of the right side elevation shown;
FIG. 3 is a top plan view thereof;
FIG. 4 is a rear side elevation thereof;
FIG. 5 is a bottom plan view thereof; and
FIG. 6 is a perspective view thereof.
The broken lines representing the conventional indicia and the batteries are shown for illustrative purposes only.



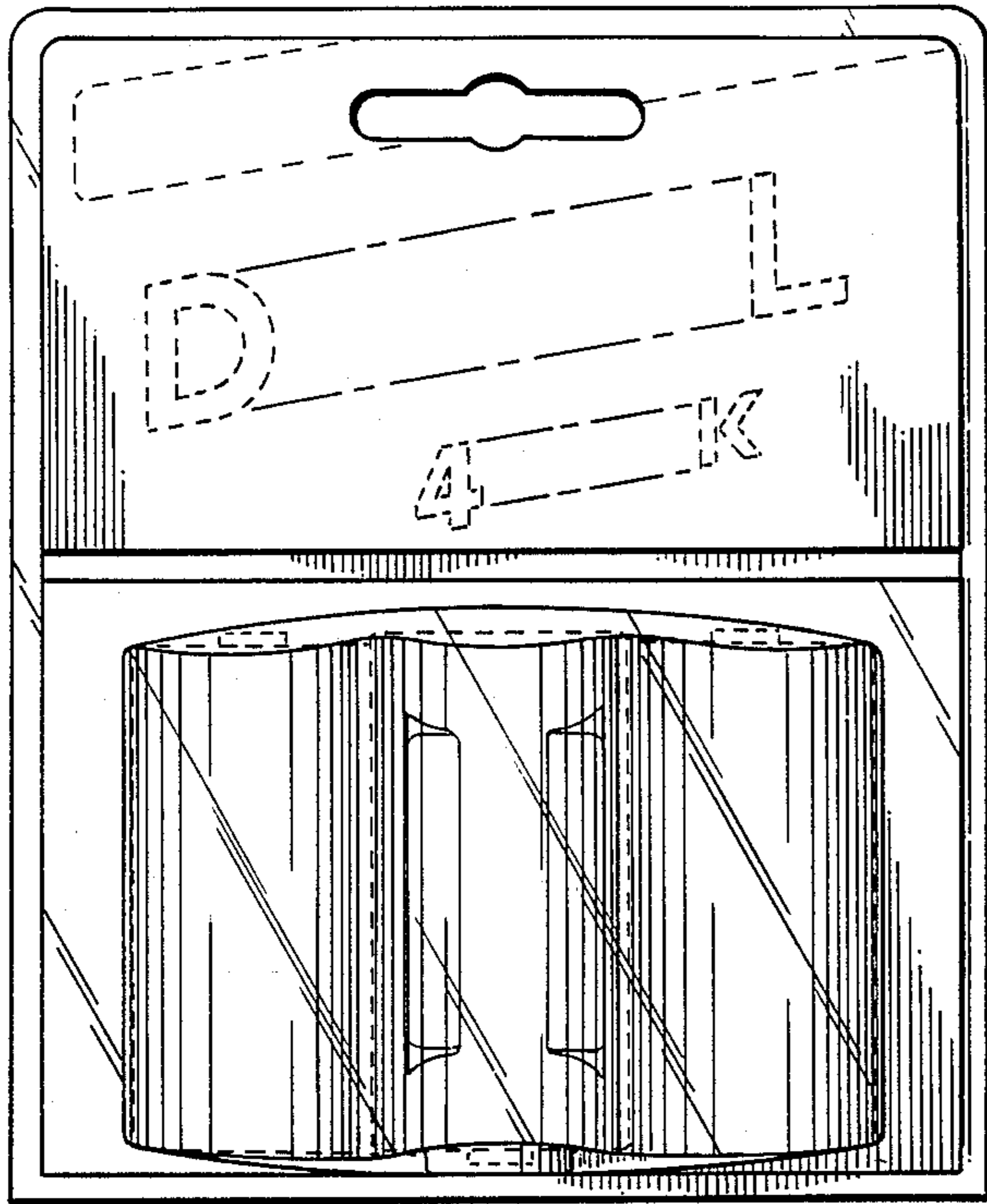


FIG. 1

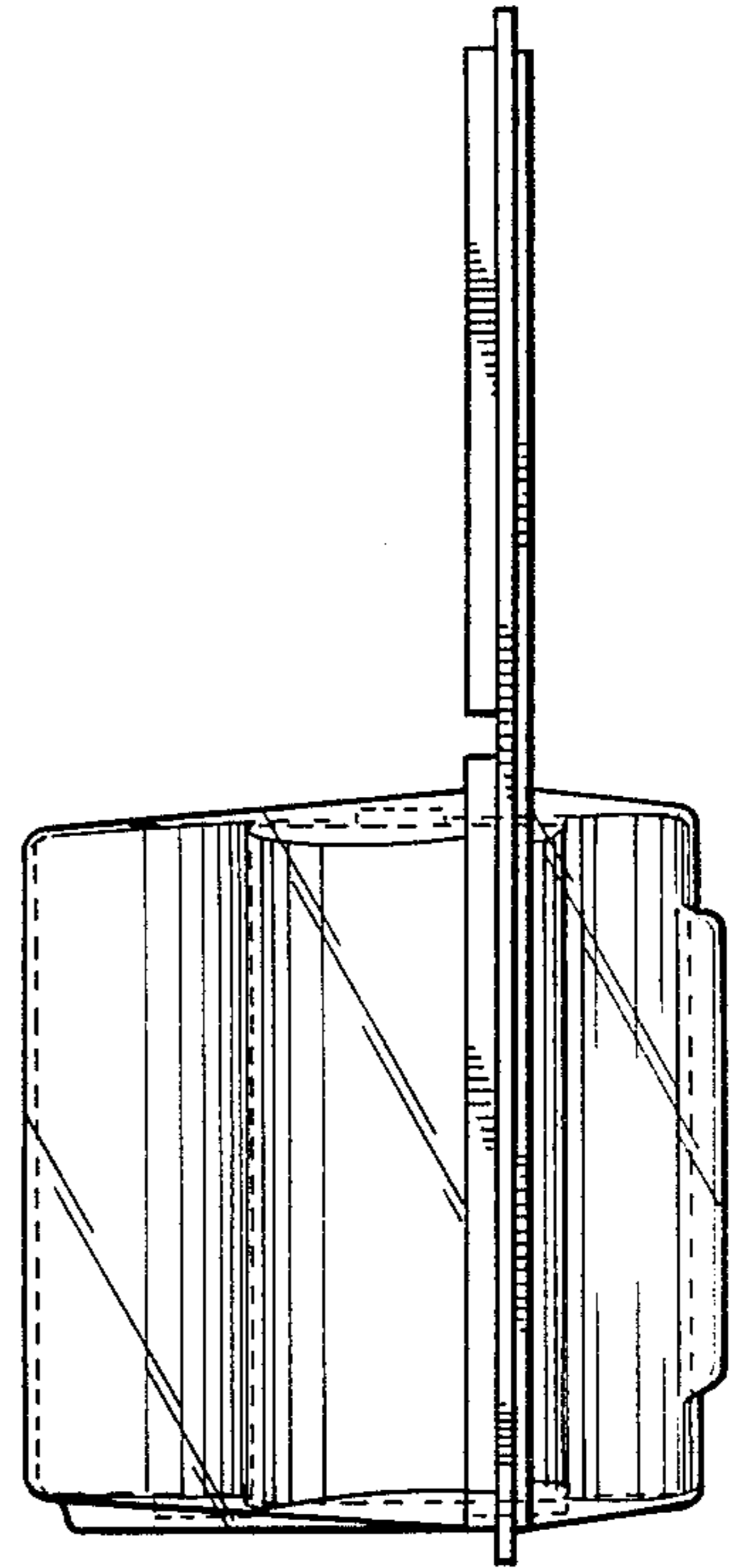


FIG. 2

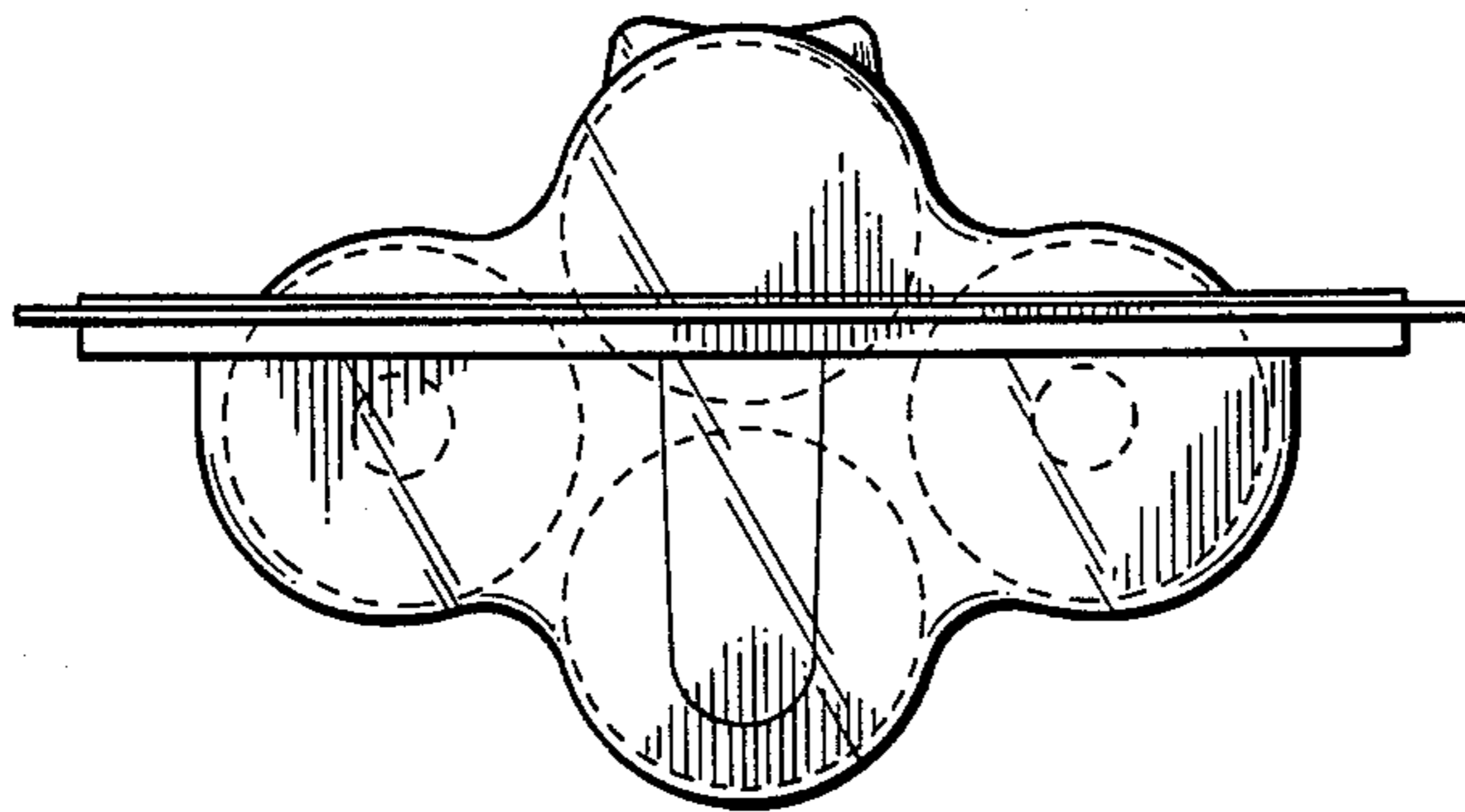


FIG. 3

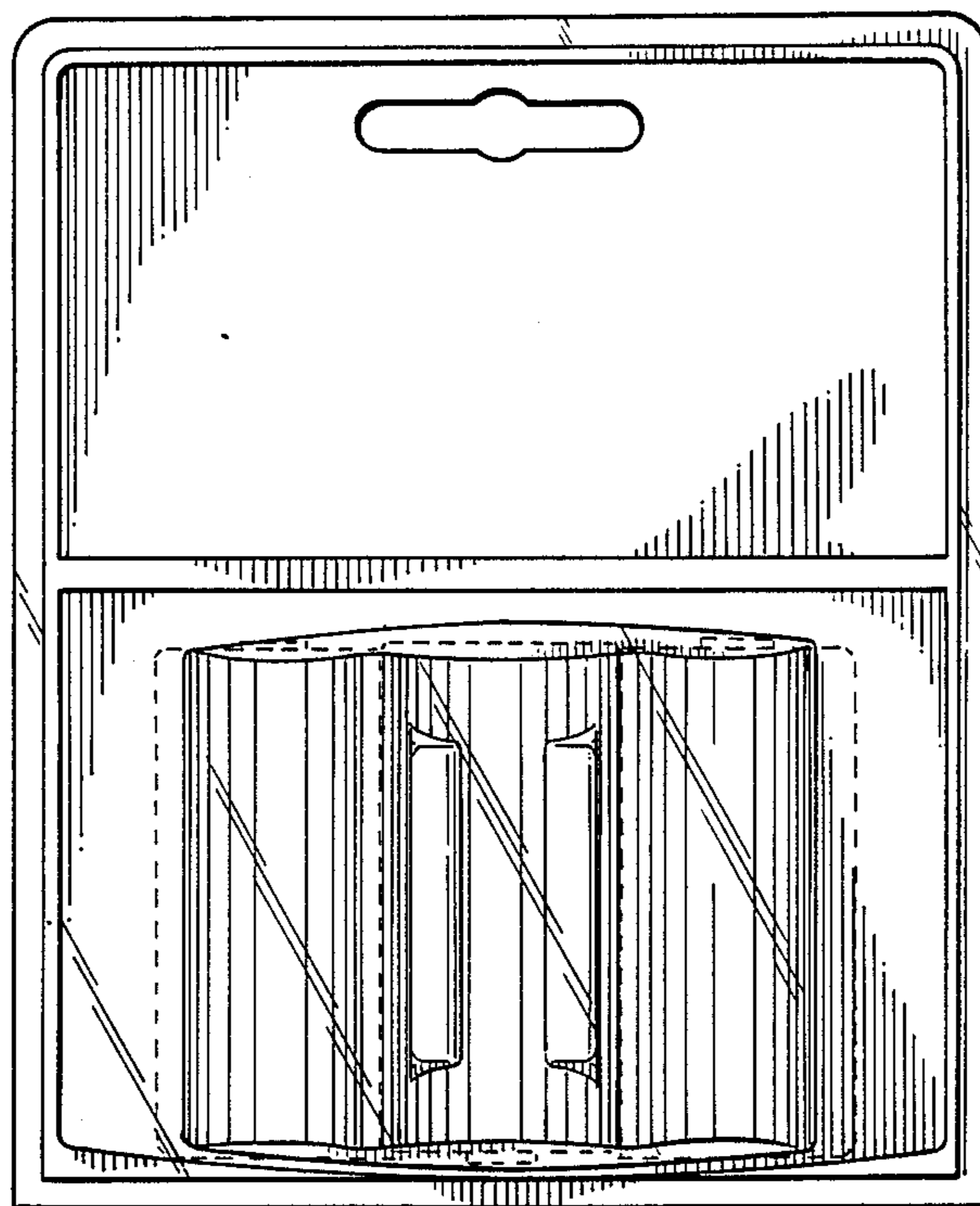


FIG. 4

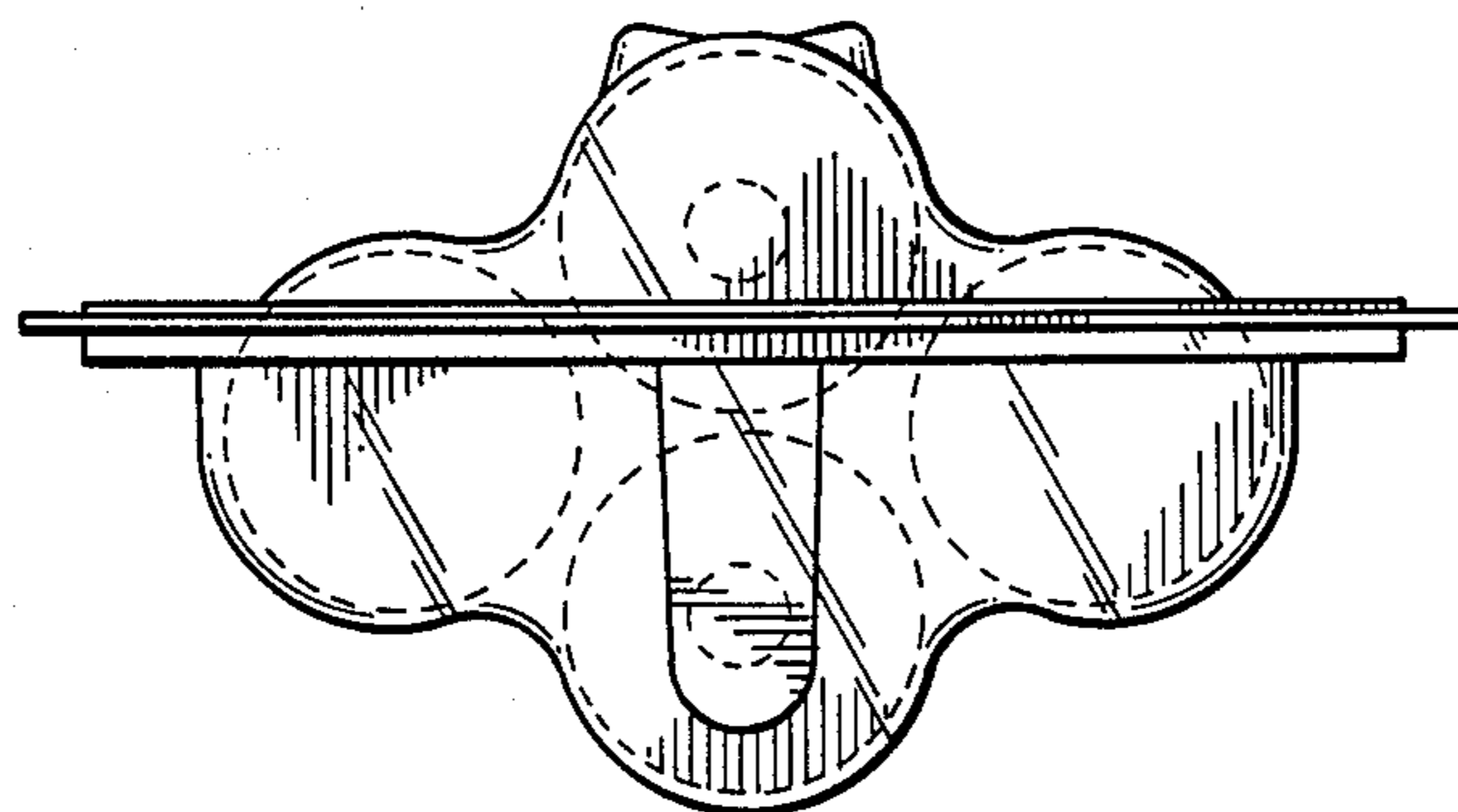


FIG. 5

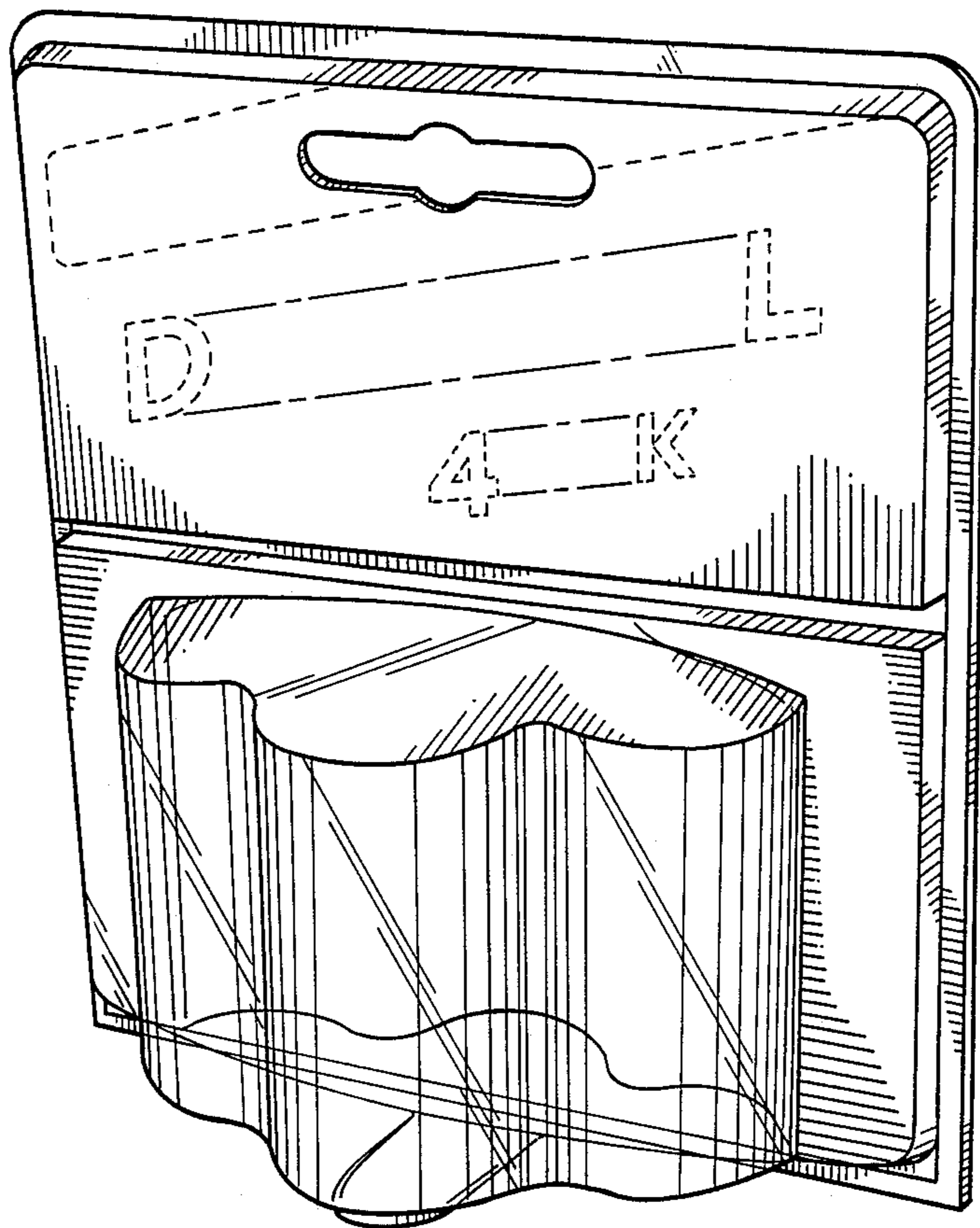


FIG. 6