

[54] WALL CLIP

[76] Inventor: Stephen H. Wolff, 222 E. 35th St., New York, N.Y. 10016

[**] Term: 14 Years

[21] Appl. No.: 18,073

[22] Filed: Feb. 24, 1987

[52] U.S. Cl. D8/395; D6/553; D8/373; D19/90

[58] Field of Search D8/373, 395; D19/90; D6/553; 211/89; 24/509, 510

[56] References Cited

U.S. PATENT DOCUMENTS

D. 219,007	10/1970	Clifton	D8/395
D. 266,858	11/1982	Cole	D8/395
1,671,725	5/1928	Jones	211/89
3,675,782	7/1972	Dudley	211/89
3,754,663	8/1973	Bittner	211/89
4,562,618	1/1986	Masuda	24/511

4,629,075 12/1986 Hutten 211/89

Primary Examiner—B. J. Bullock
Attorney, Agent, or Firm—Lerner, David, Littenberg, Krumholz & Mentlik

[57] CLAIM

The ornamental design for a wall clip, as shown and described.

DESCRIPTION

FIG. 1 is a perspective view of a wall clip showing my new design;
FIG. 2 is an enlarged front elevational view thereof;
FIG. 3 is an enlarged rear elevational view thereof;
FIG. 4 is enlarged top plan view thereof;
FIG. 5 is an enlarged bottom plan view thereof;
FIG. 6 is an enlarged left side elevational view thereof;
FIG. 7 is an enlarged right side elevational view thereof;
FIG. 8 is a perspective view thereof, in a partially open position.

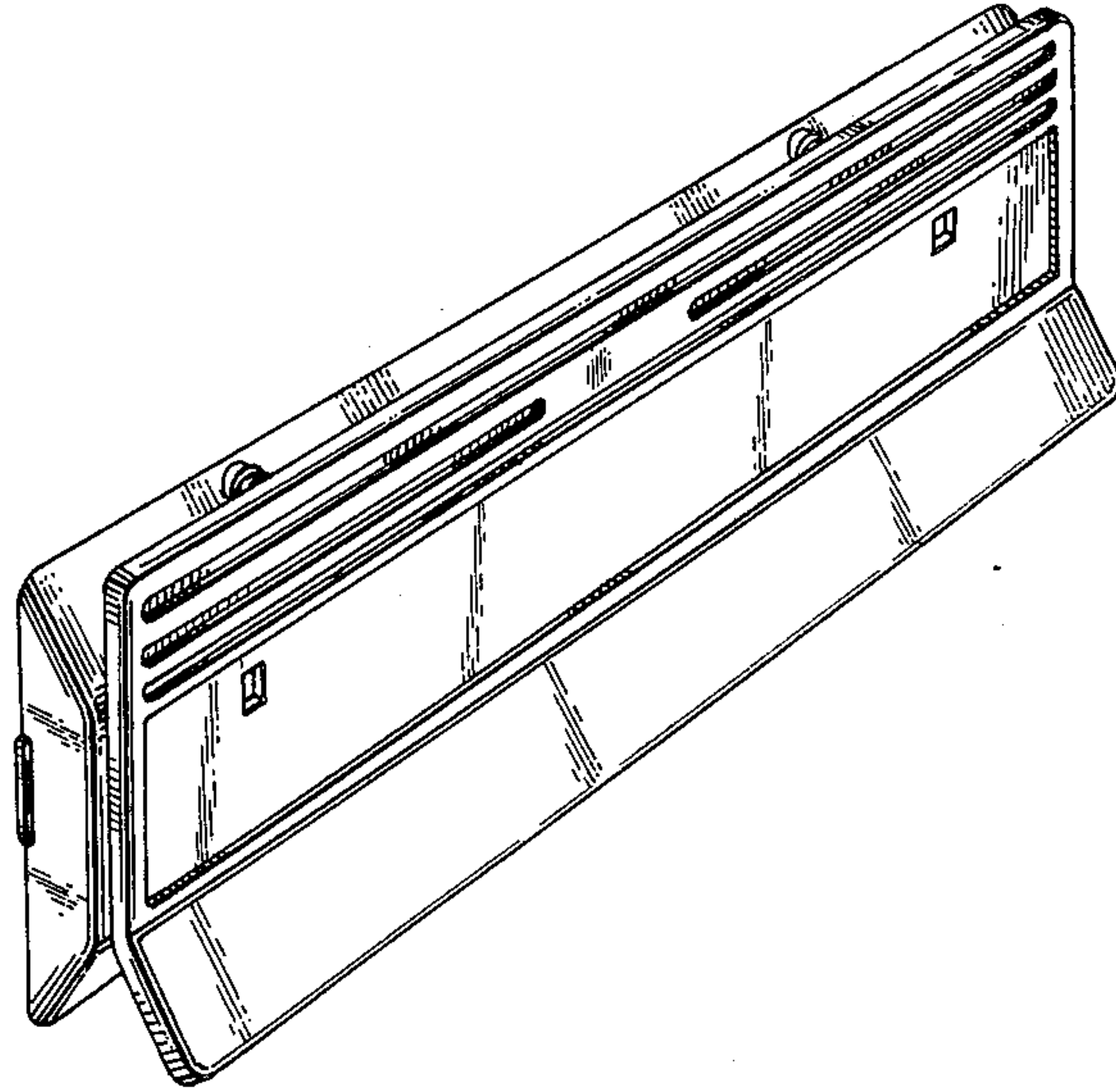


FIG. 1

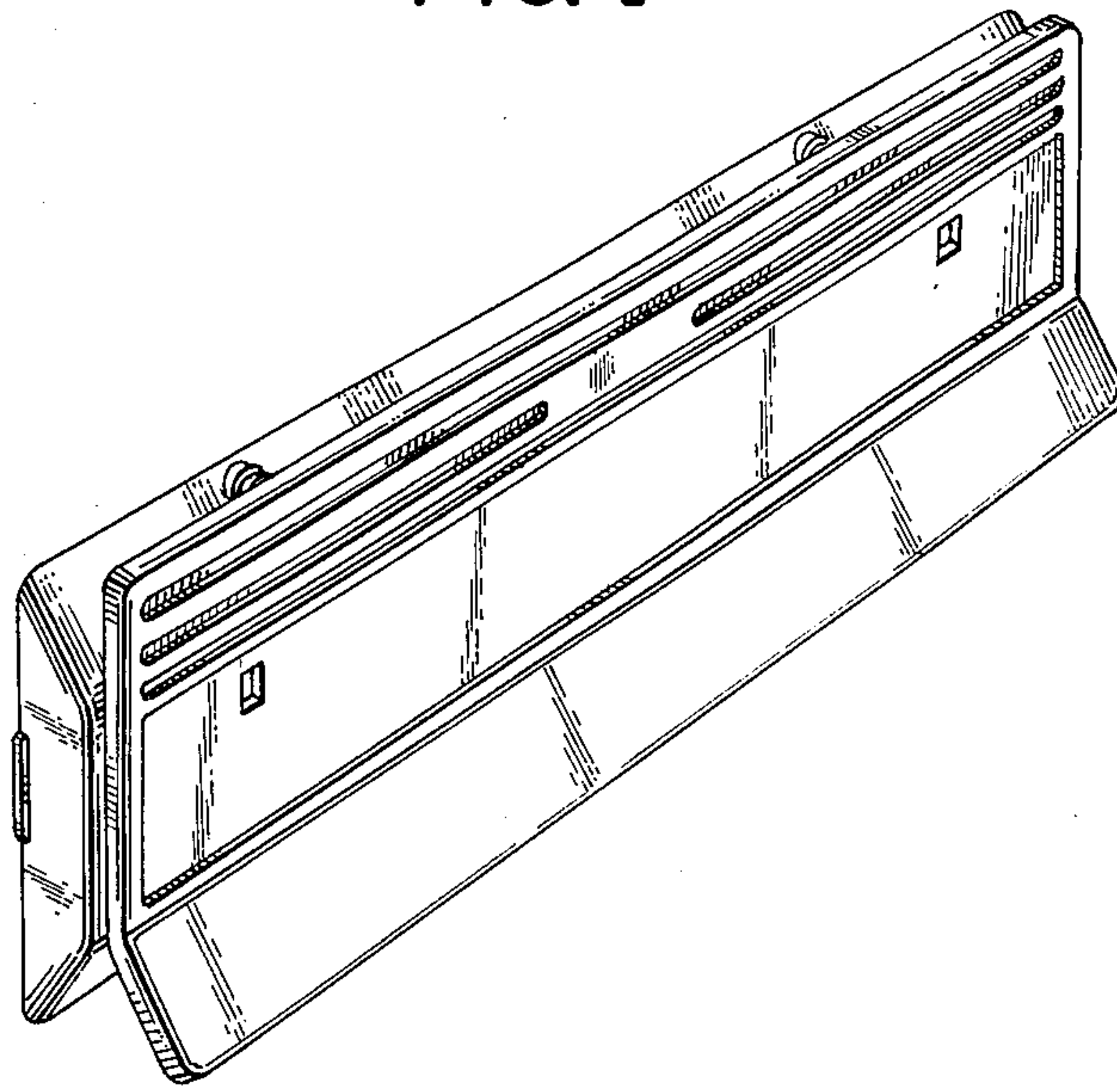
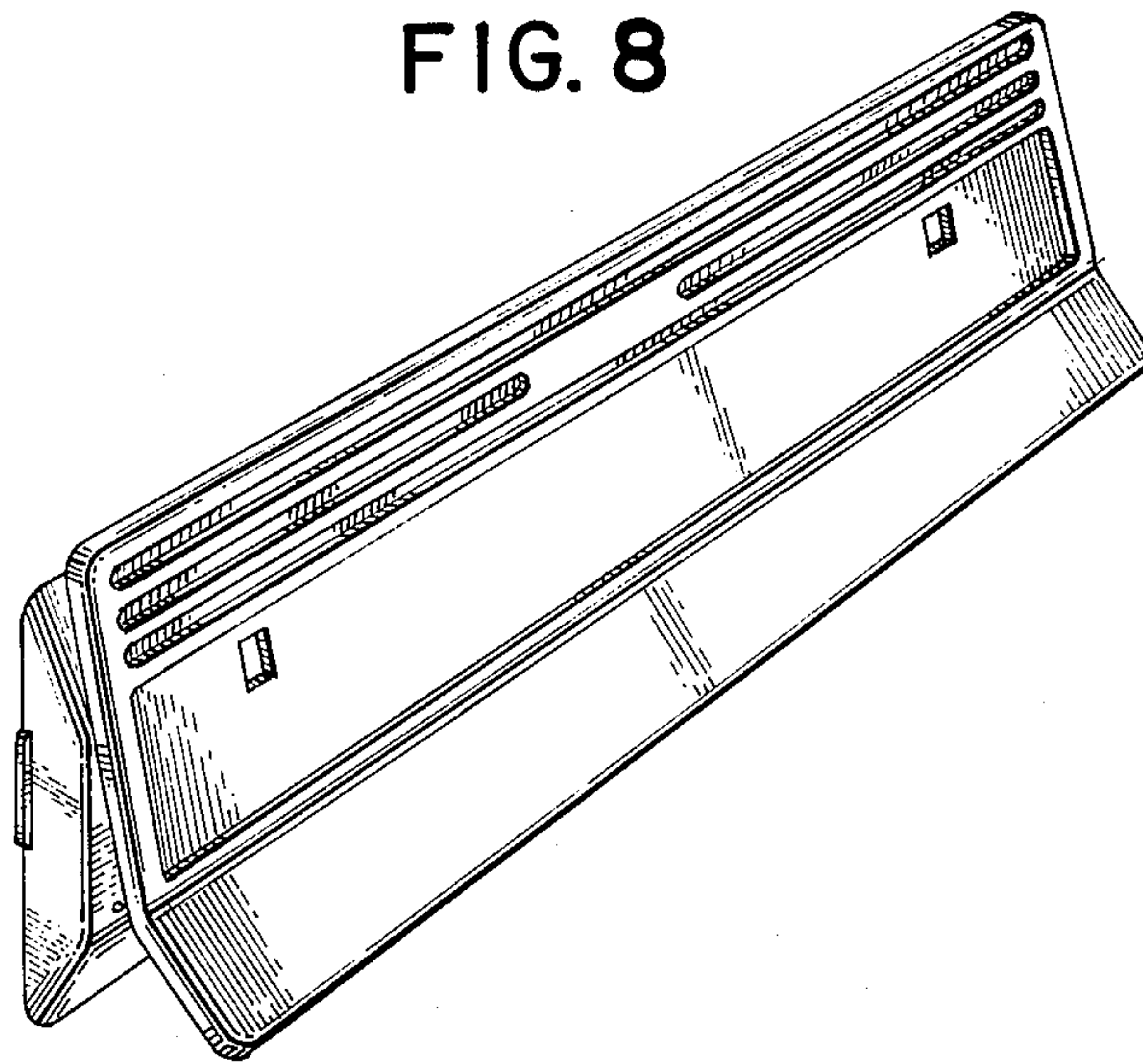


FIG. 8



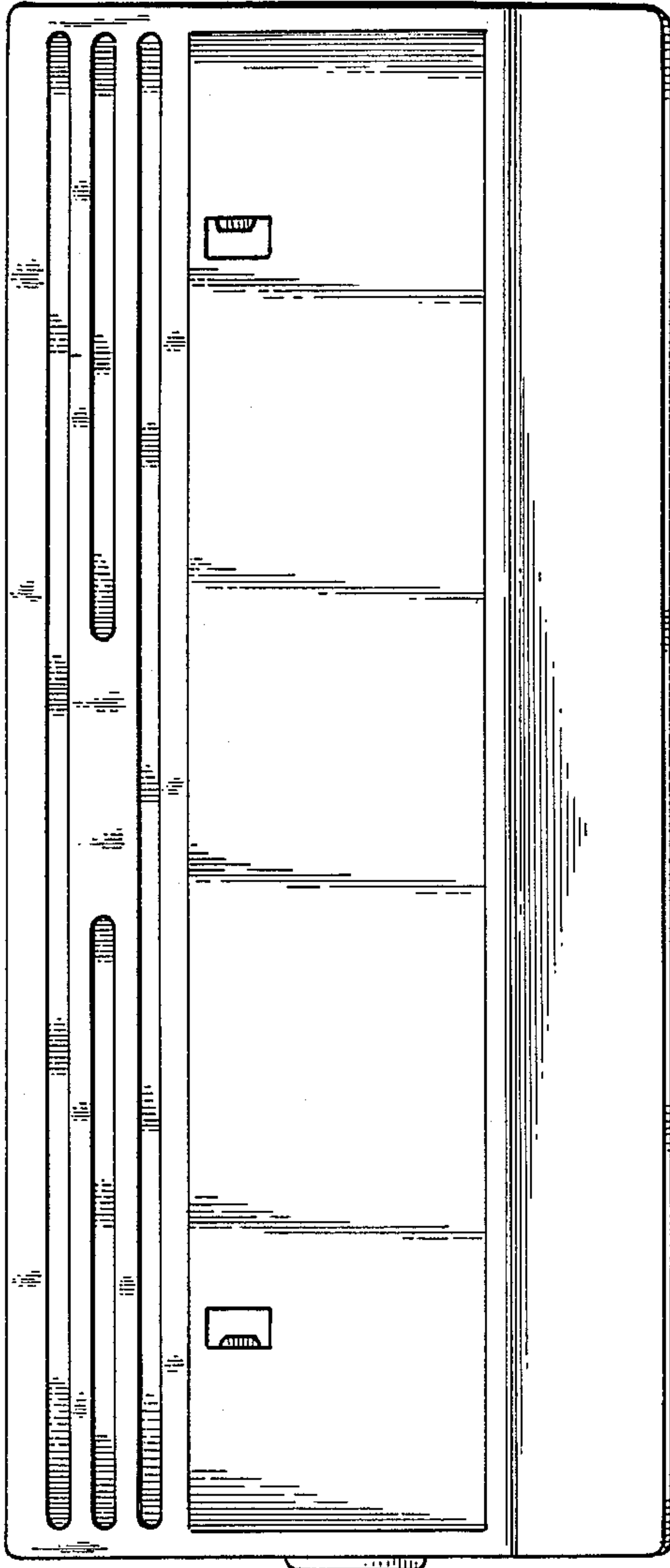


FIG. 2

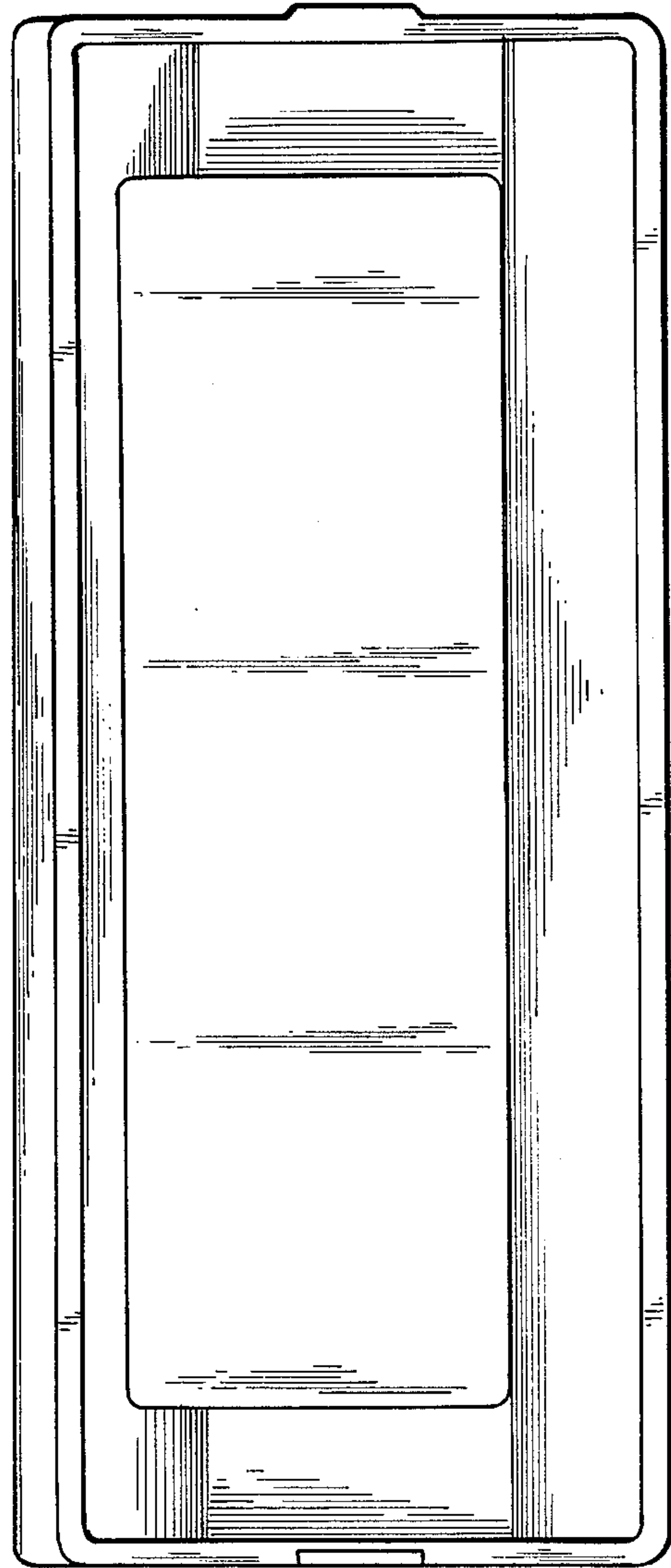


FIG. 3

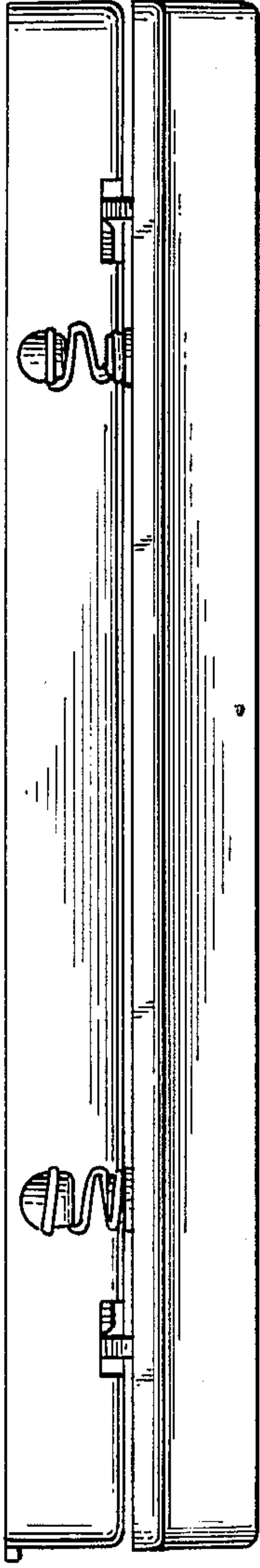


FIG. 4

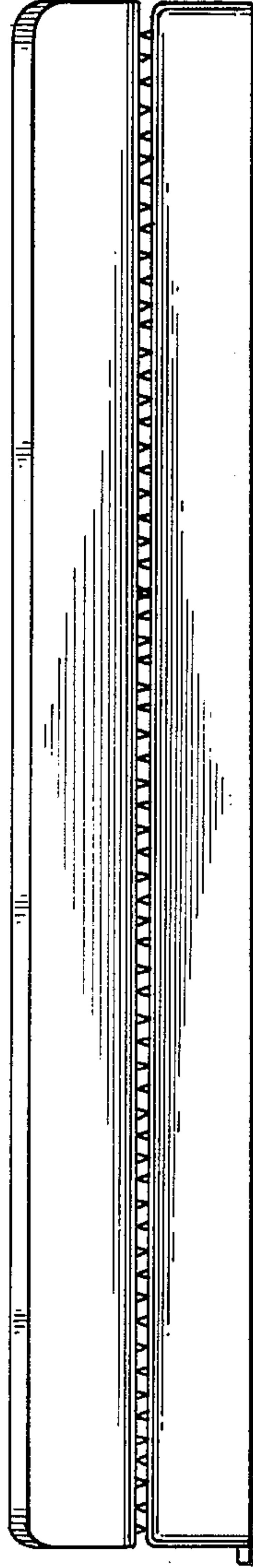


FIG. 5



FIG. 7

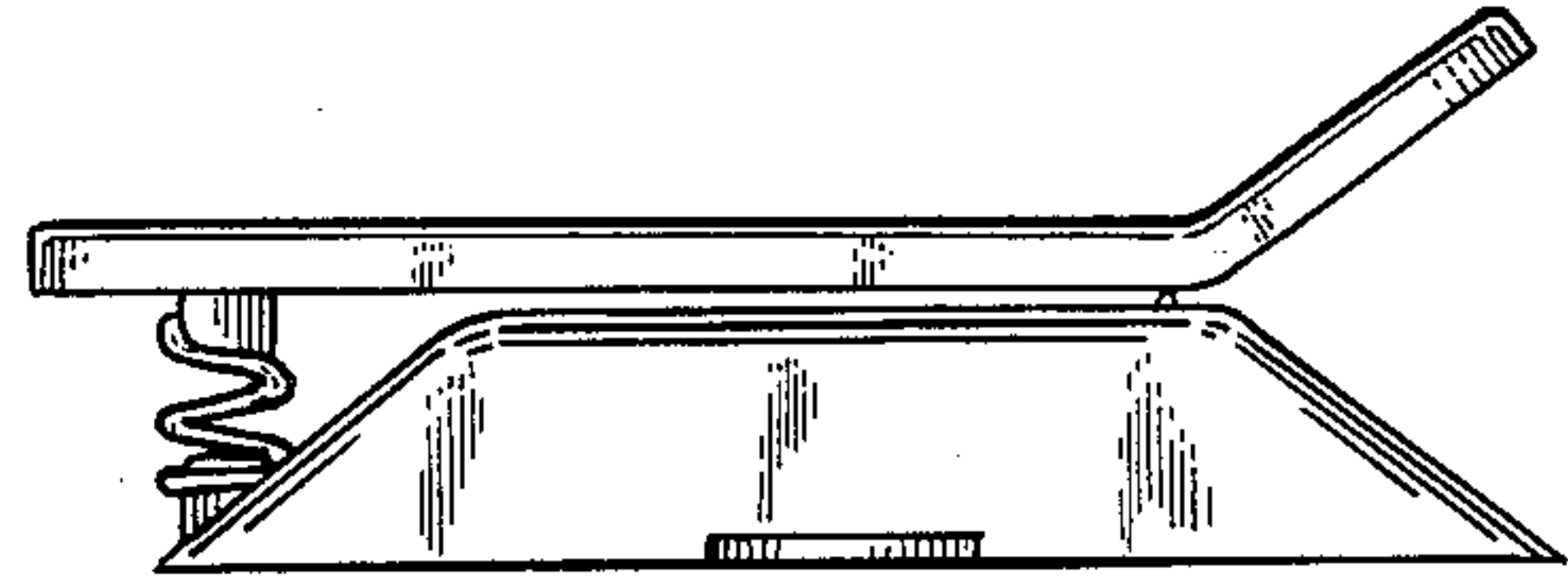


FIG. 6