

[54] PRECISION SCALE SUPPORT

[76] Inventor: William P. Spaeth, Jr., 3728 Northhaven, Dallas, Tex. 75229

[**] Term: 14 Years

[21] Appl. No.: 847,860

[22] Filed: Apr. 4, 1986

[52] U.S. Cl. D8/373

[58] Field of Search D24/53; D6/512, 553; D8/349, 354, 363, 373; 248/207, 214, 225.31, 231.7, 359 R, 364

[56] References Cited

U.S. PATENT DOCUMENTS

970,655	9/1910	Sheble	248/231.7
1,970,602	8/1934	Geistlinger	248/207
2,642,250	6/1953	Kasnowich	248/214

3,333,807	8/1967	Locatelli	248/231.7
4,023,757	5/1977	Allard et al.	248/70

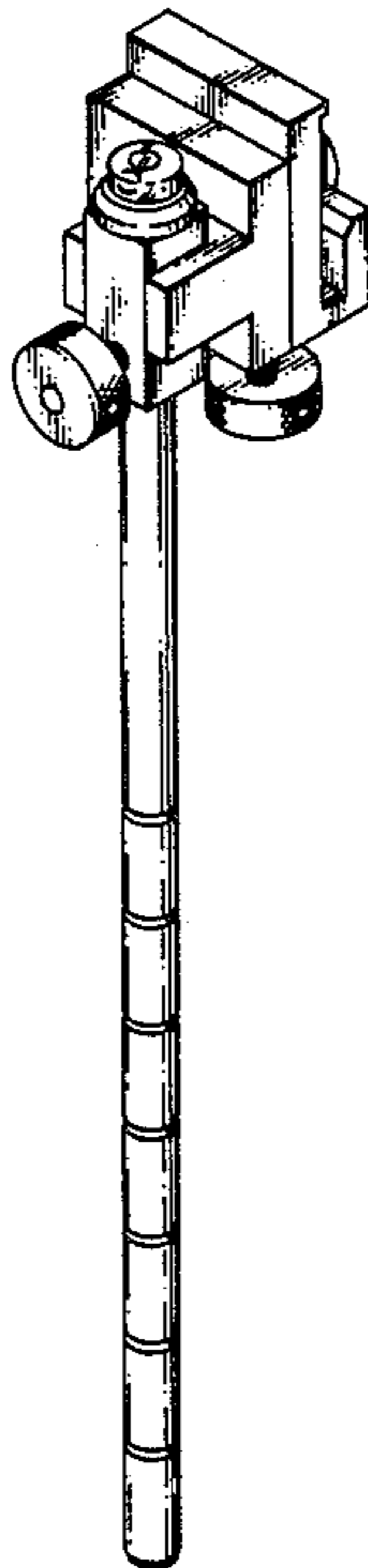
Primary Examiner—B. J. Bullock
Assistant Examiner—Dominic Simone
Attorney, Agent, or Firm—Kanz, Scherback & Timmons

[57] CLAIM

The ornamental design for a precision scale support, as shown and described.

DESCRIPTION

FIG. 1 is a prespective view of a precision scale support embodying my new design; FIG. 2 is an enlarged left side elevational view thereof; FIG. 3 is an enlarged front elevational view thereof; FIG. 4 is an enlarged rear elevational view thereof; FIG. 5 is an enlarged top plan view thereof; FIG. 6 is an enlarged bottom plan view thereof.



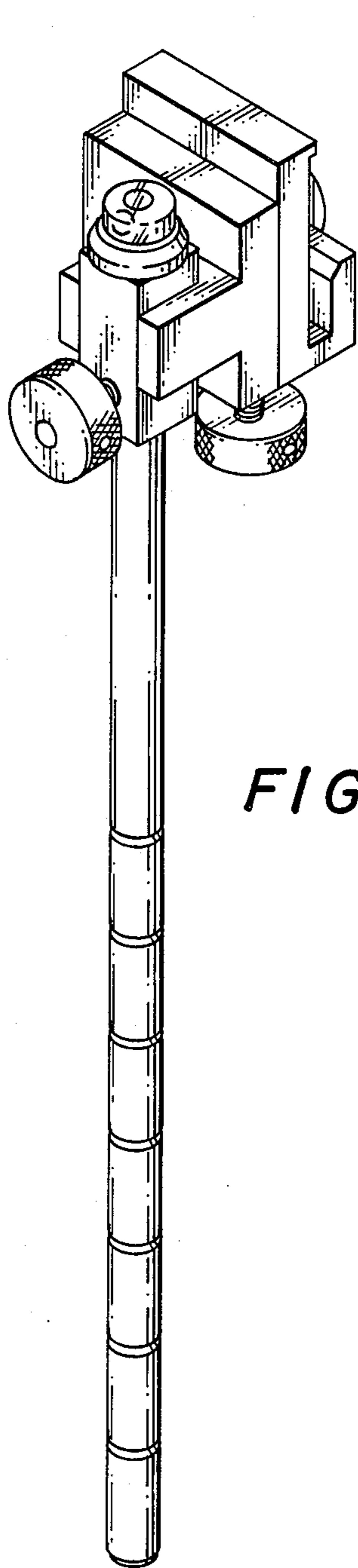


FIG. 1

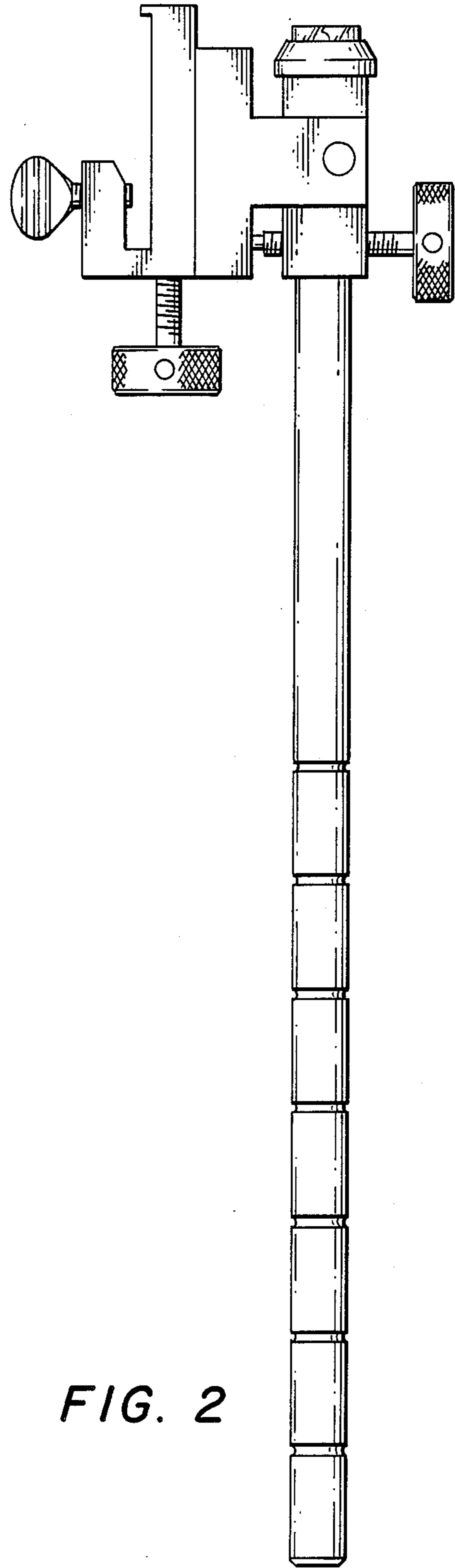


FIG. 2

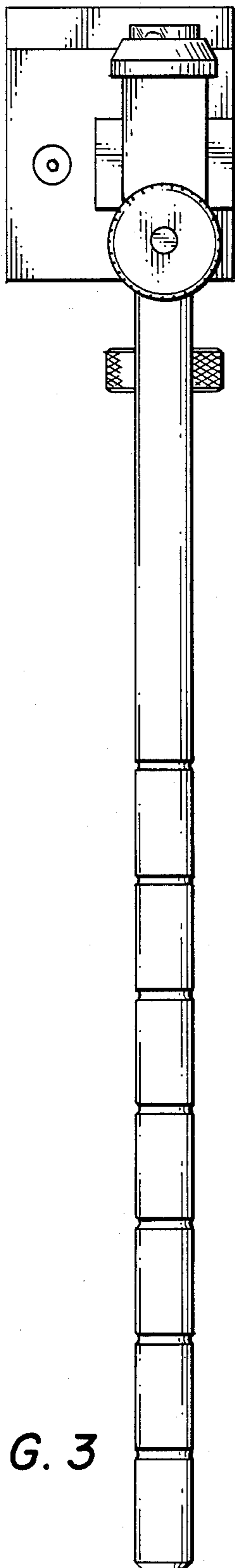


FIG. 3

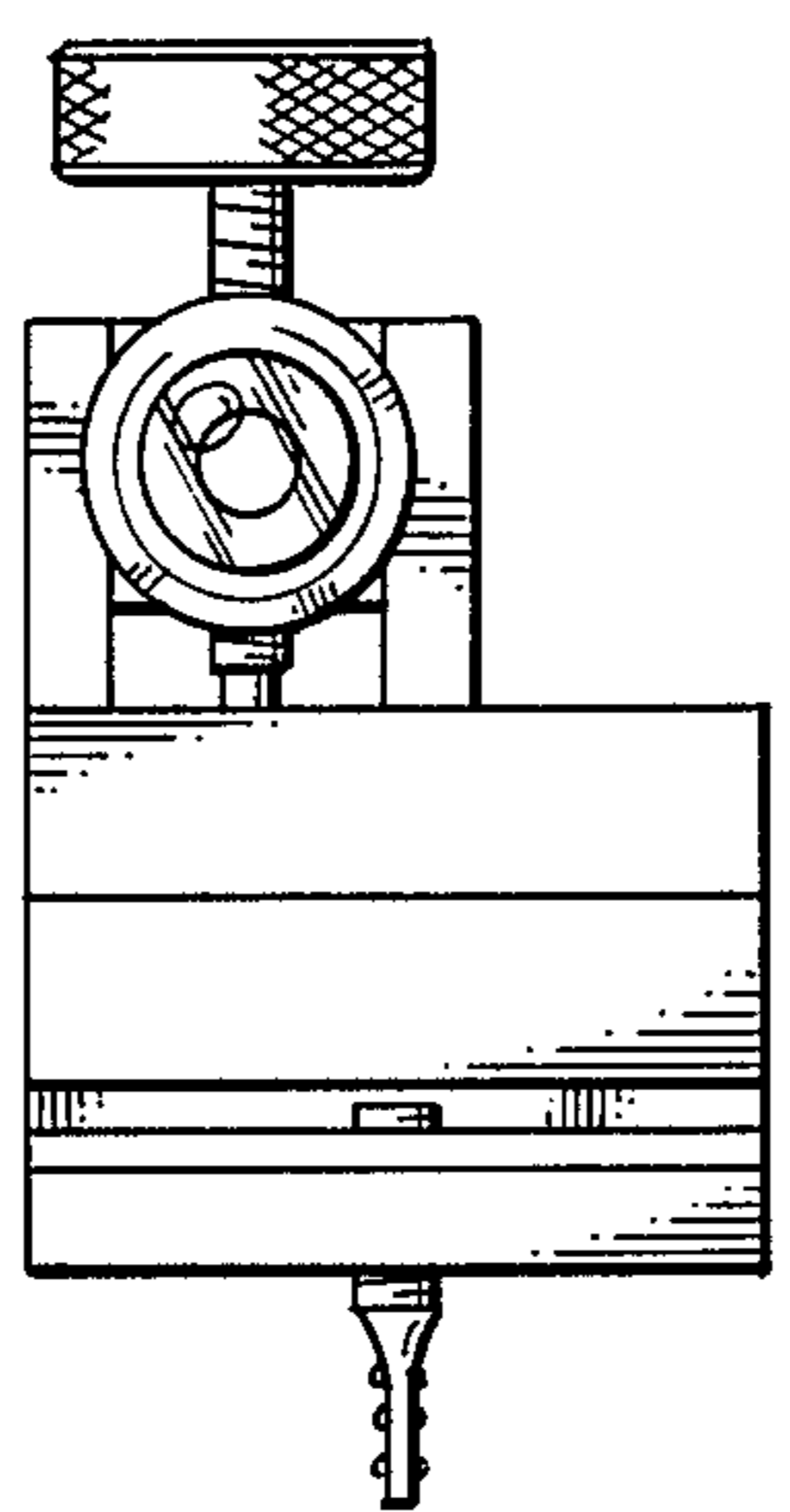


FIG. 5

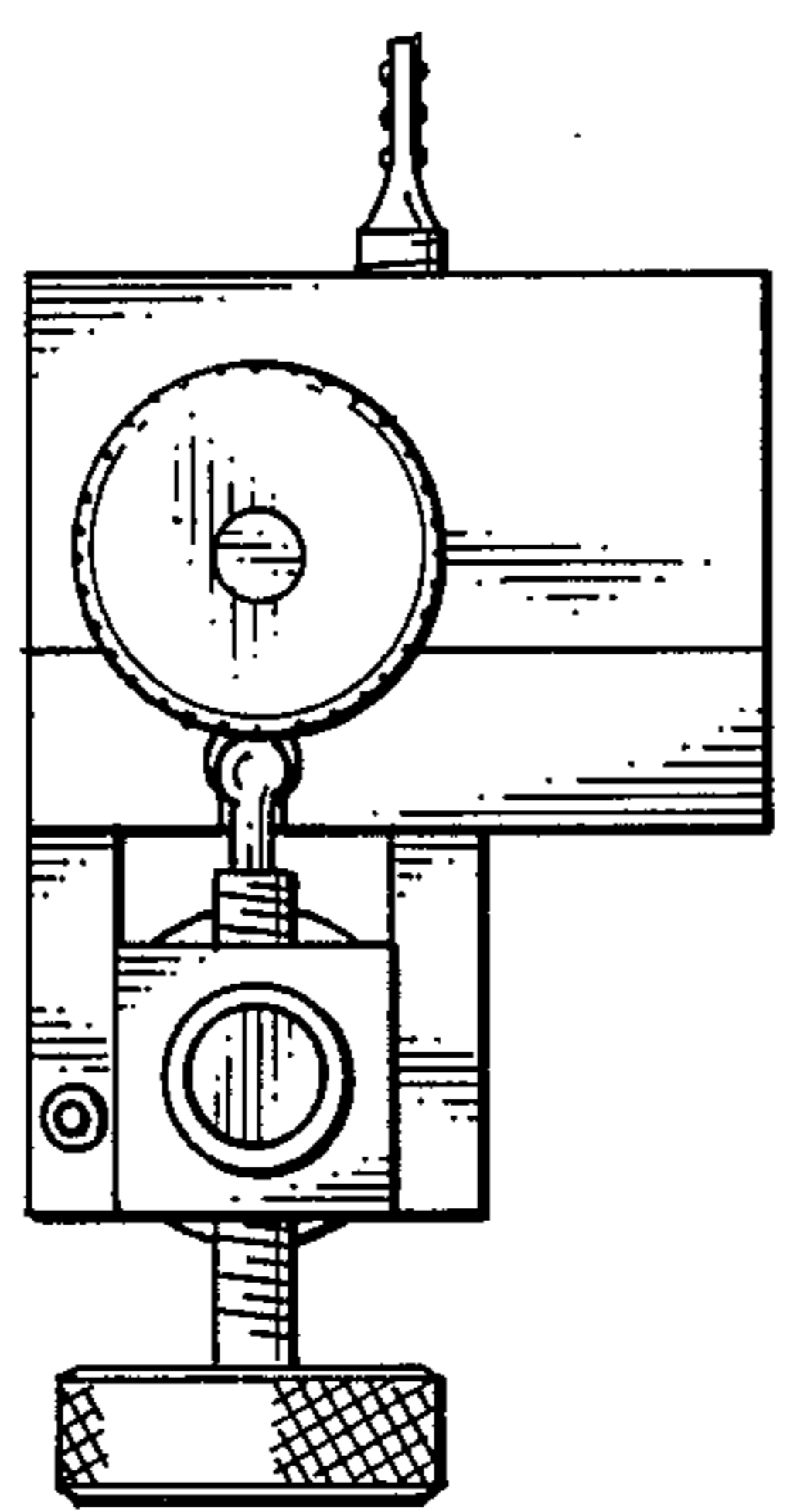


FIG. 6

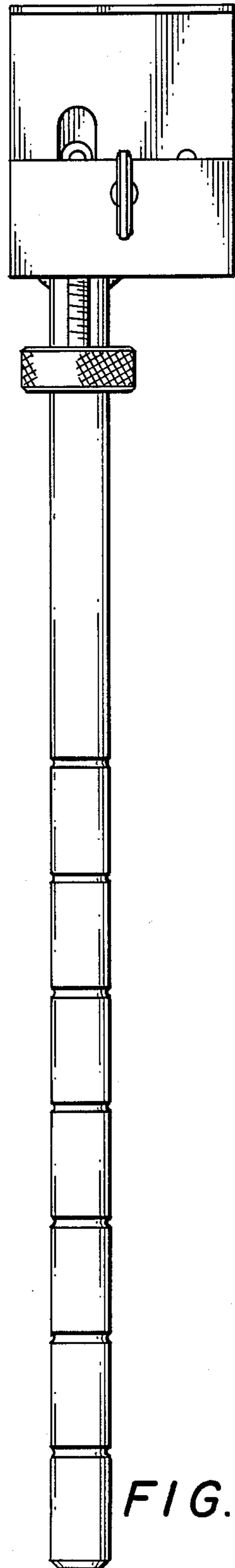


FIG. 4