

[54] CORDLESS SCREW DRIVER

[75] Inventors: Yuichiro Sasaki; Toshiaki Uchida, both of Katsuta, Japan

[73] Assignee: Hitachi Koki Company, Ltd., Japan

[**] Term: 14 Years

[21] Appl. No.: 136,484

[22] Filed: Dec. 21, 1987

[52] U.S. Cl. D8/68; D8/69

[58] Field of Search D8/61, 68, 69; 81/54, 81/57.11, 57.14, 429; 173/163, 170; 408/124, 125, 127; 310/50

[56] References Cited

U.S. PATENT DOCUMENTS

- D. 243,652 3/1977 Zurwelle et al. D8/68
- D. 243,742 3/1977 House et al. D8/69
- 2,730,635 1/1956 McCabe 173/163

FOREIGN PATENT DOCUMENTS

- 53-7064 7/1978 Japan .
- 56-0126 9/1981 Japan .
- 59-6321 3/1983 Japan .

OTHER PUBLICATIONS

Catalogue printed by Kress-Electrik GmbH & Co. 1987.

House & Garden, Jul. 1975, p. 24, Black & Decker's "Energy Pak" Handle.

Black & Decker Industrial/Construction Division Catalog 1982, p. 18—Drywall "Scrugun" Screwdriver 2035-2037.

Primary Examiner—Bruce W. Dunkins

Assistant Examiner—Clare E. Heflin

Attorney, Agent, or Firm—Lowe, Price, LeBlanc, Becker & Shur

[57] CLAIM

The ornamental design for a cordless screw driver, as shown.

DESCRIPTION

FIG. 1 is a front perspective view of the cordless screwdriver showing our new design;

FIG. 2 is a front elevational view thereof;

FIG. 3 is a rear elevational view thereof;

FIG. 4 is a right side elevational view thereof;

FIG. 5 is a left side elevational view thereof;

FIG. 6 is a top plan view thereof; and

FIG. 7 is a bottom plan view thereof.

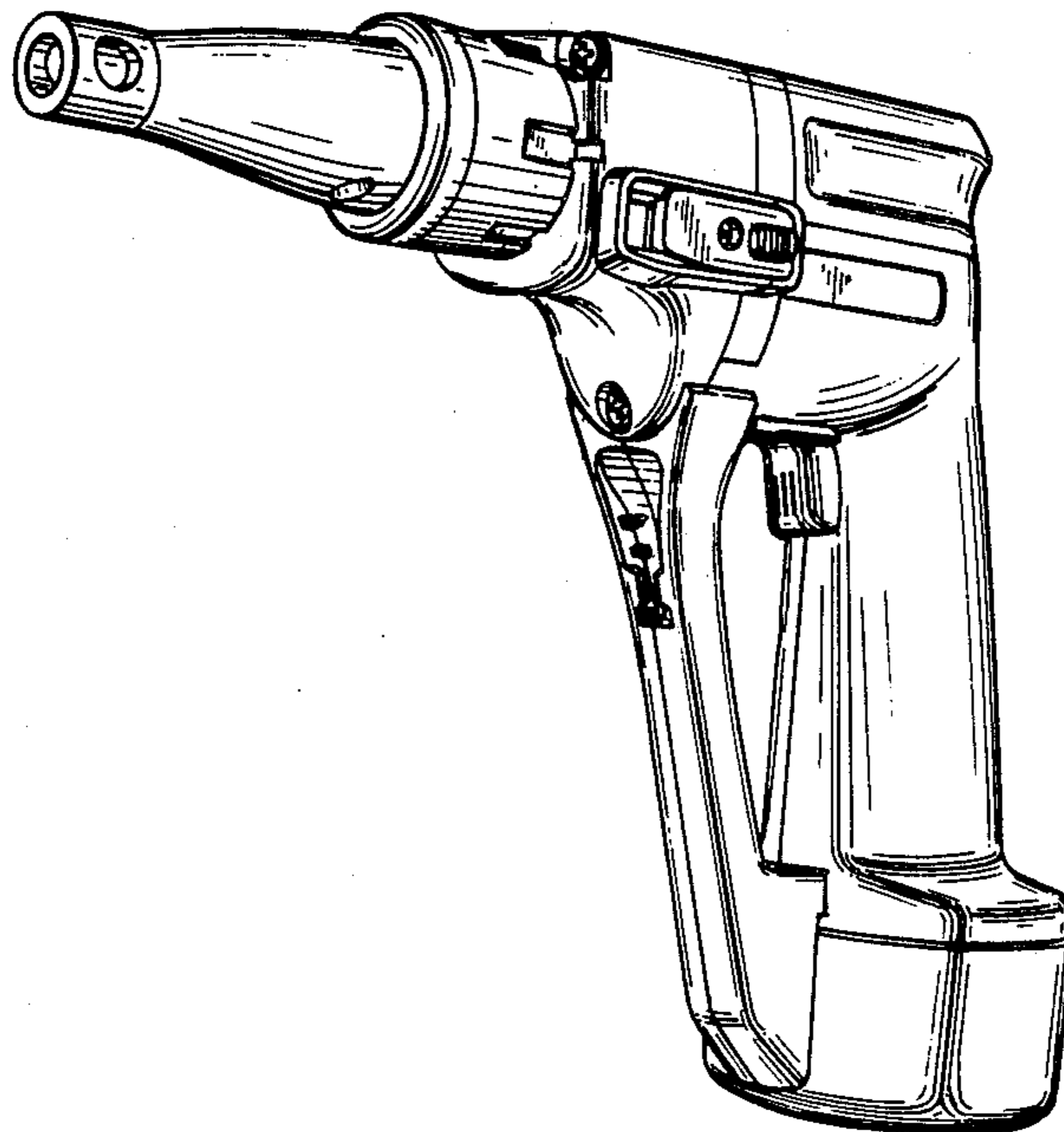


FIG. 1

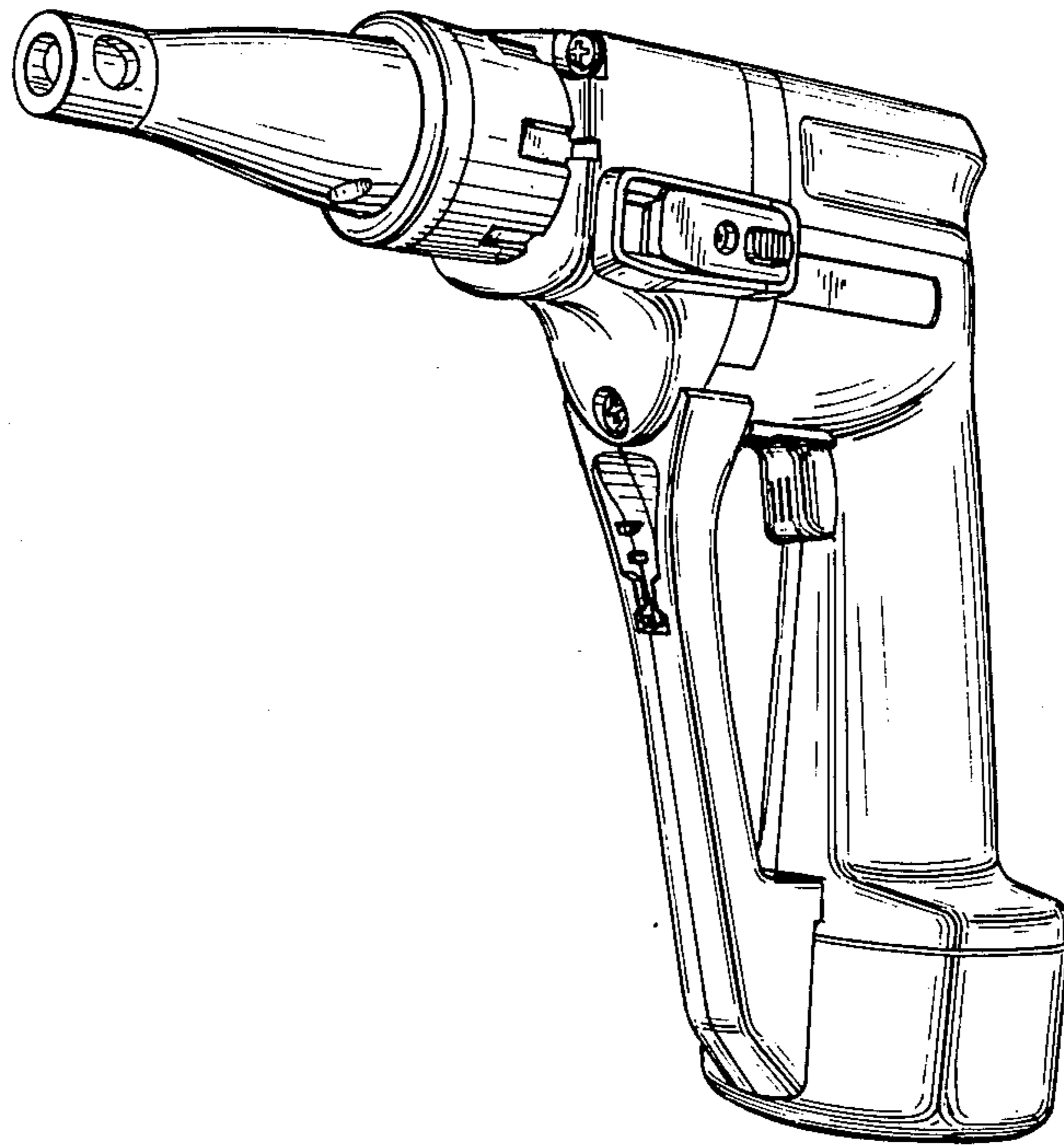


FIG. 2

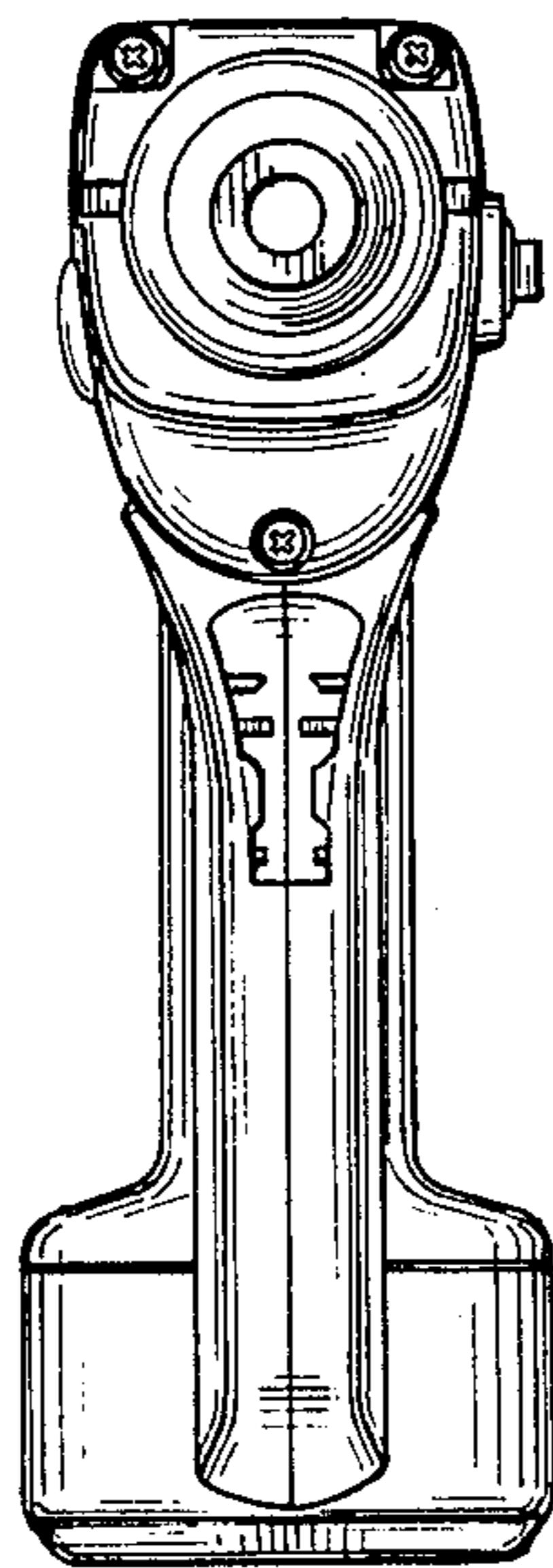


FIG. 3

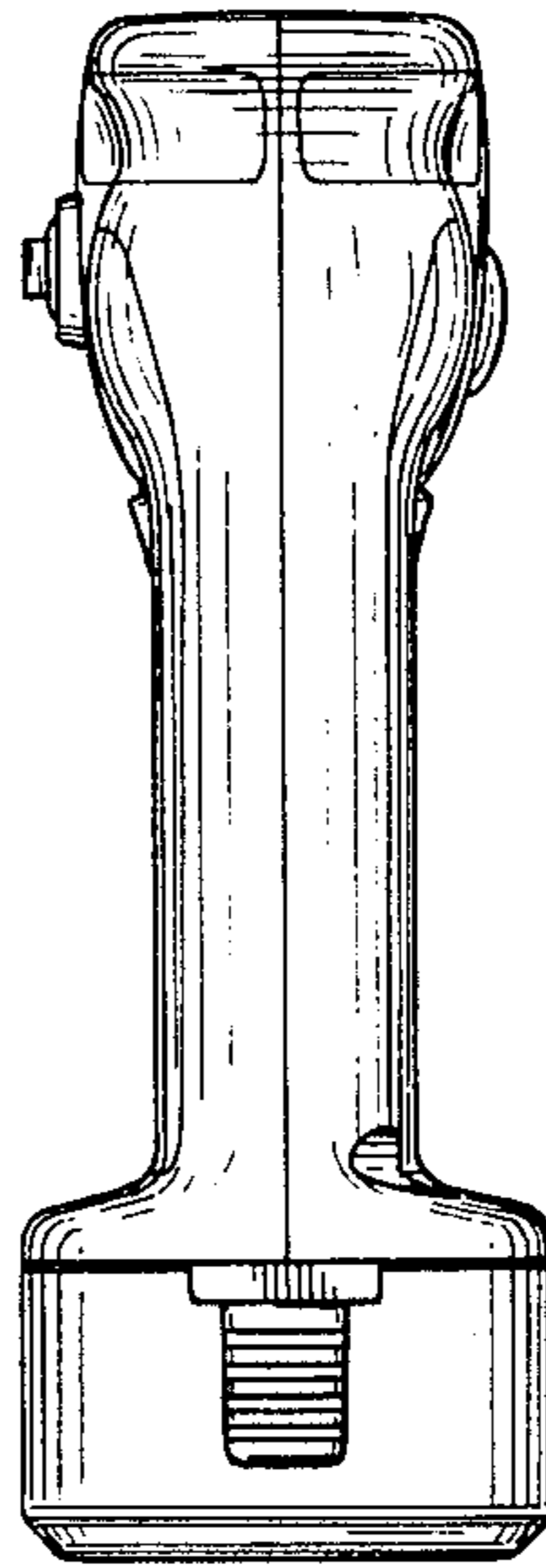


FIG. 4

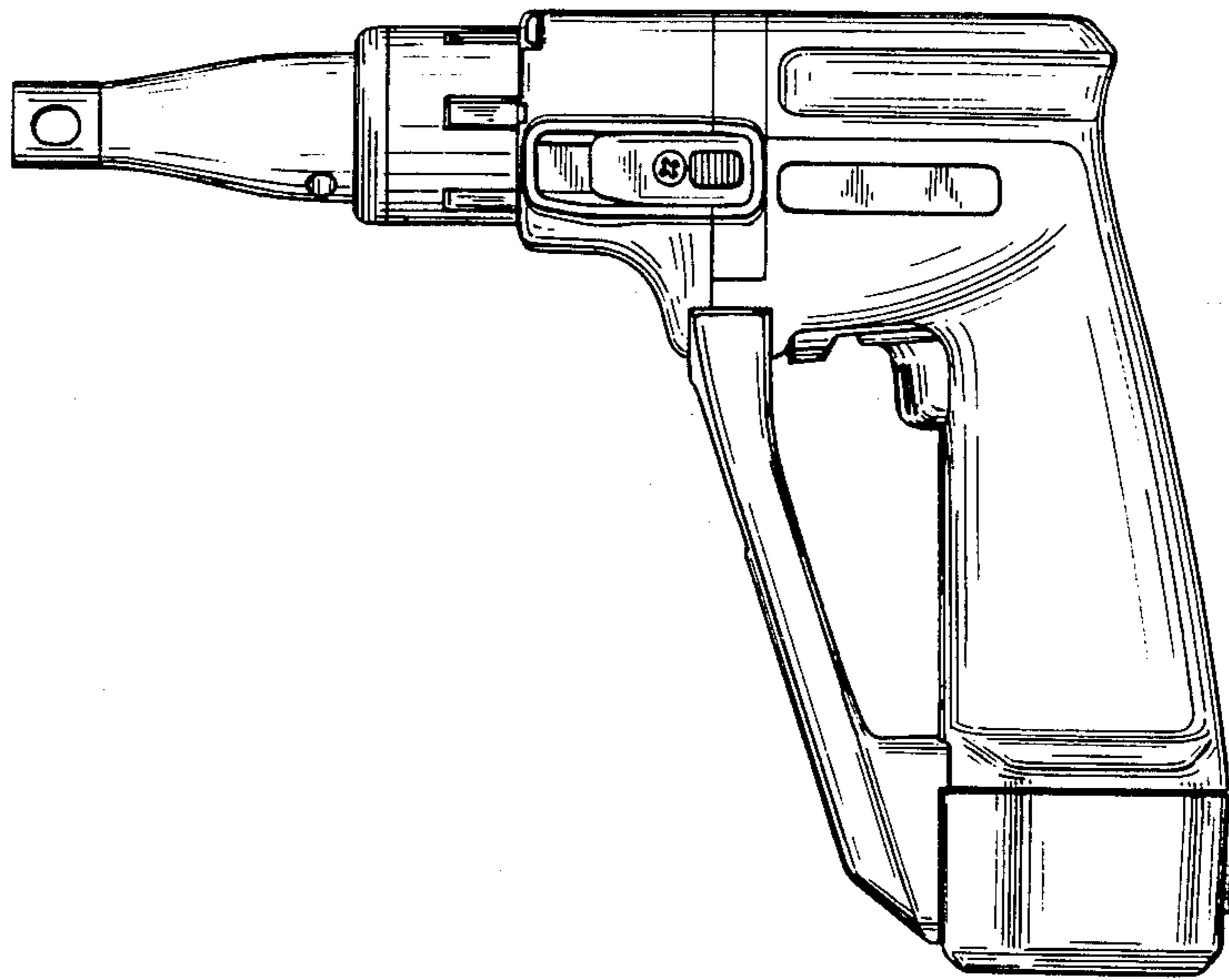


FIG. 5

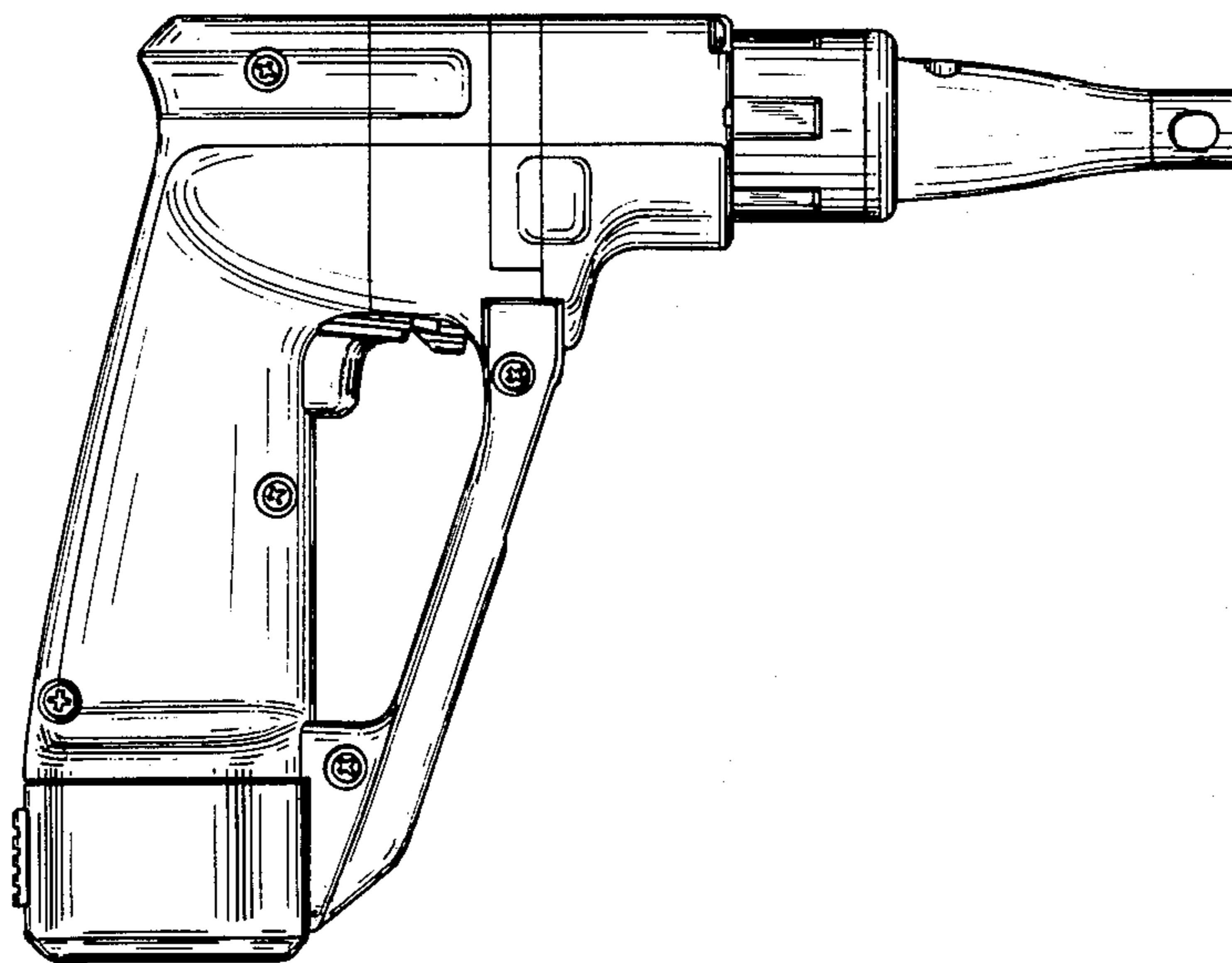


FIG. 6

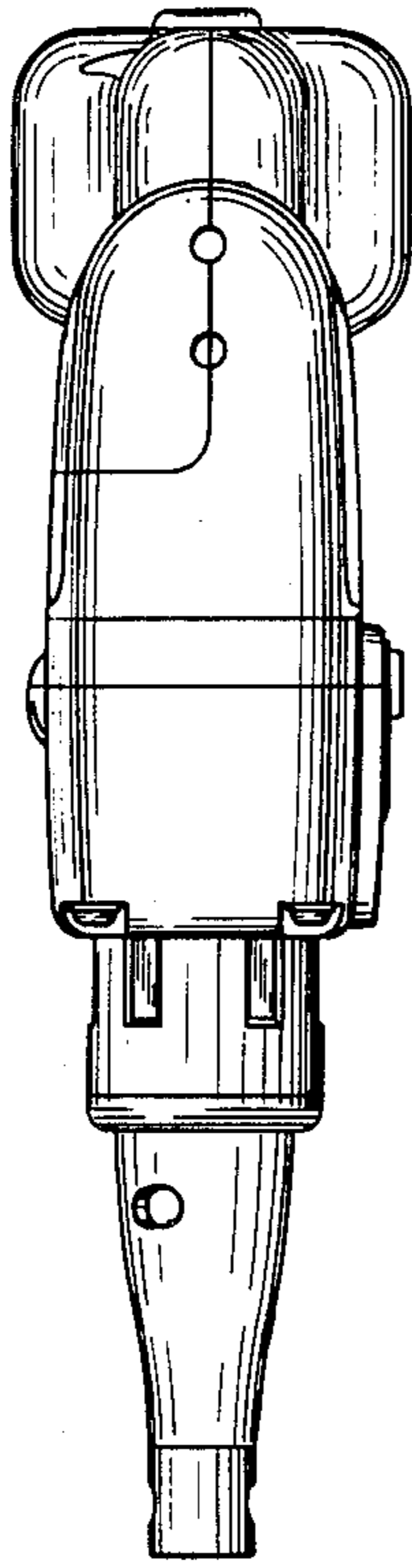


FIG. 7

