

[54] HEAD FOR A HAND-HELD RIVETING TOOL

[76] Inventor: Donald G. Townend, 15322 Kornblum Ave., Lawndale, Calif. 90260

[**] Term: 14 Years

[21] Appl. No.: 751,065

[22] Filed: Jul. 2, 1985

[52] U.S. Cl. D8/52

[58] Field of Search D8/52, 54-56, D8/58, 60, 23, 32, 44; 81/426; 72/409, 411; 29/243.53, 283.5; 227/144

[56] References Cited

U.S. PATENT DOCUMENTS

D. 192,940	5/1962	Martin et al.	D8/52
D. 201,521	6/1965	Filia	D8/52
524,400	8/1894	Rinman	81/300
1,162,440	11/1915	Bernard	30/363
1,271,711	7/1918	Harvath	227/144
2,360,111	10/1944	Dedona	30/363
3,174,323	3/1965	Over	81/368

Primary Examiner—Bruce W. Dunkins
Assistant Examiner—Clare E. Heflin
Attorney, Agent, or Firm—Christie, Parker & Hale

[57] CLAIM

The ornamental design for a head for a hand-held riveting tool, as shown and described.

DESCRIPTION

FIG. 1 is a front, top and one side perspective view of the head for a hand-held riveting tool showing a first embodiment of my new design;

FIG. 2 is a rear elevational view thereof;

FIG. 3 is an enlarged top plan view thereof;

FIG. 4 is an enlarged opposite side elevational view thereof;

FIG. 5 is a front, top and one side perspective view of the head for a hand-held riveting tool showing a second embodiment of my new design with the handle engaging portion thereof being shown in broken lines for ease of illustration only;

FIG. 6 is an enlarged rear elevational view thereof;

FIG. 7 is an enlarged top plan view thereof;

FIG. 8 is an enlarged opposite side elevational view thereof;

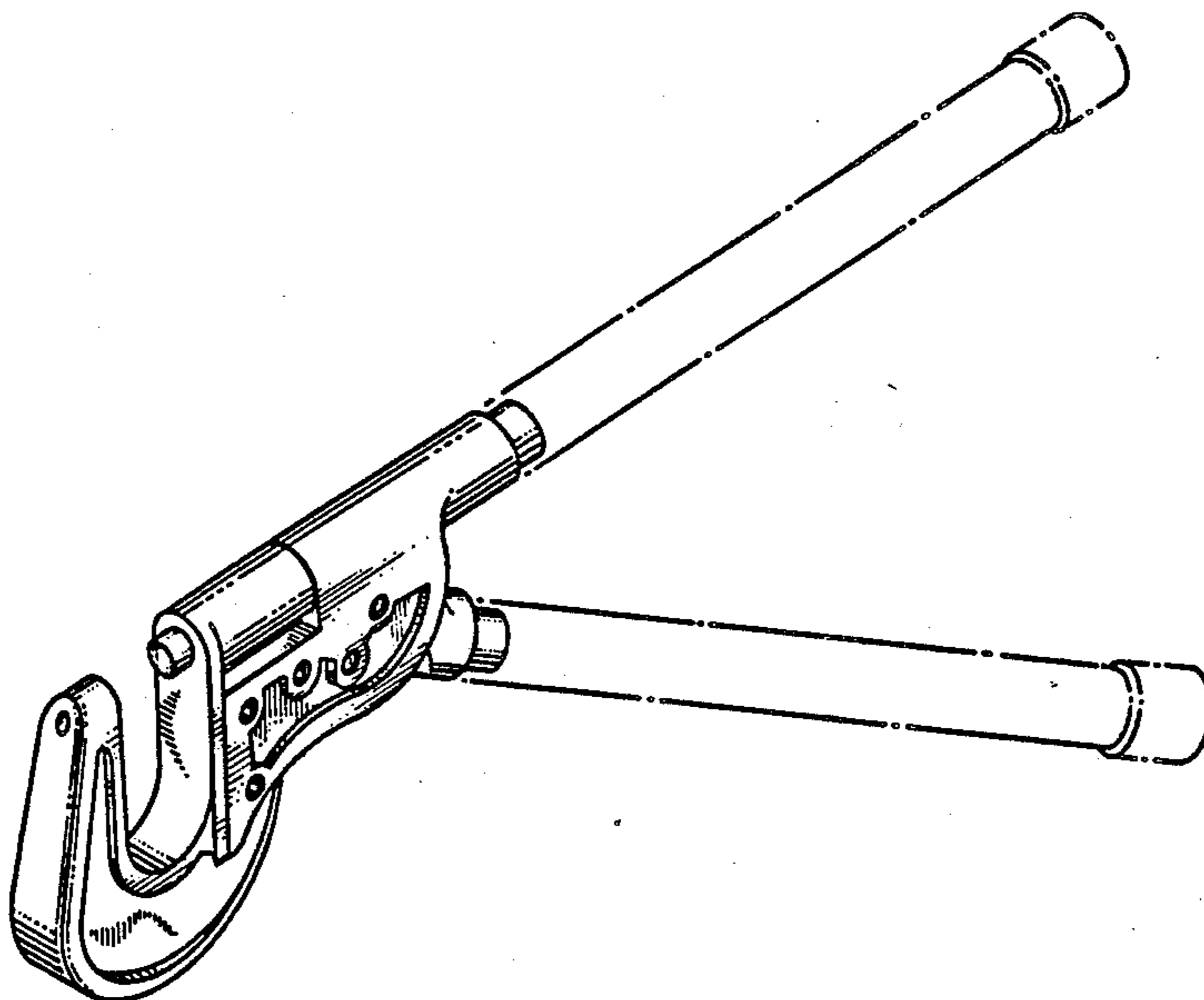
FIG. 9 is a front, top and one side perspective view of the head for a hand-held riveting tool showing a third embodiment of my new design with the handle engaging portion thereof being shown in broken lines for ease of illustration only;

FIG. 10 is an enlarged rear elevational view thereof;

FIG. 11 is an enlarged top plan view thereof;

FIG. 12 is an enlarged opposite side elevational view thereof.

The broken line showing the tool handles is for illustrative purposes only and forms no part of the claimed design.



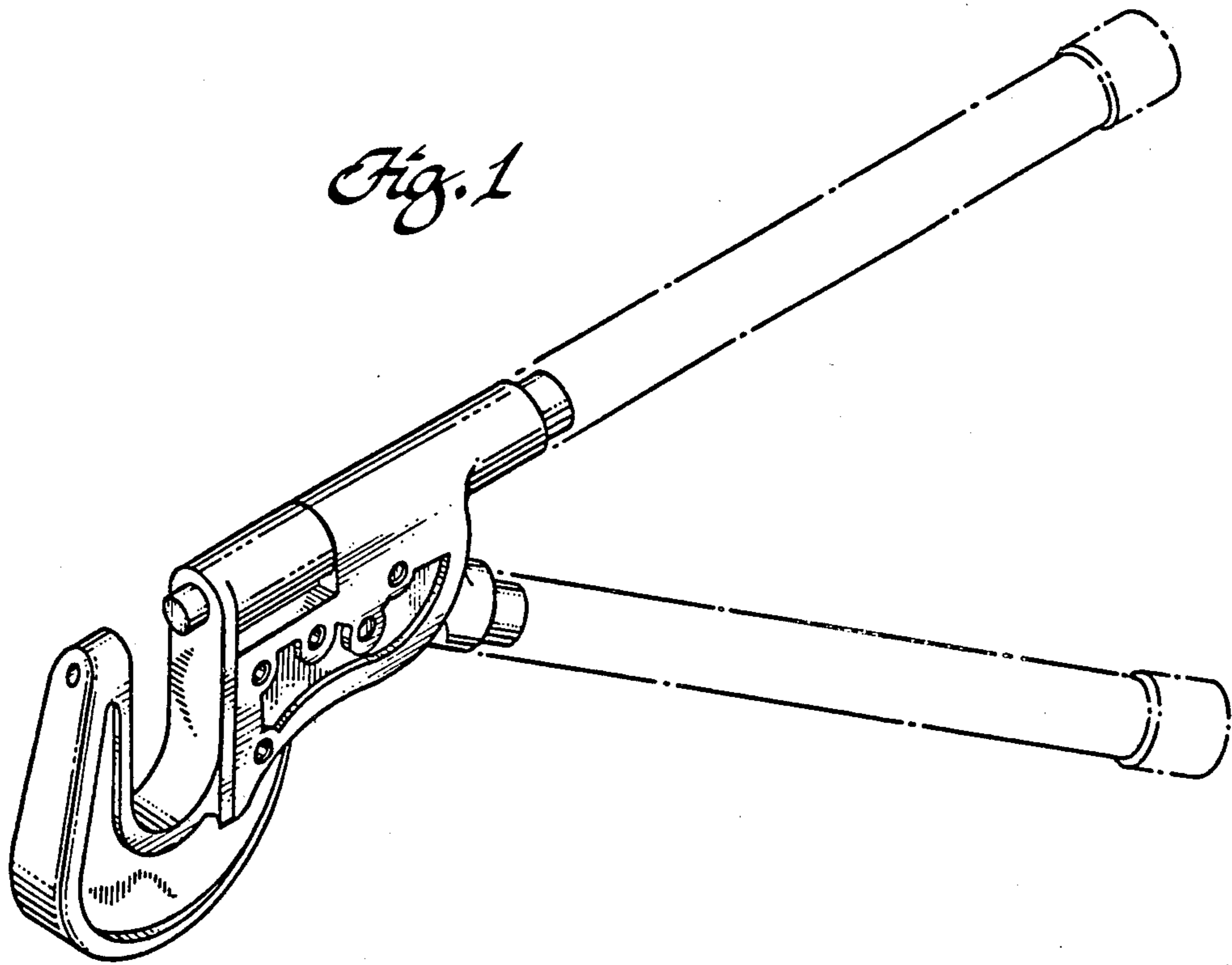


Fig. 2



Fig. 3

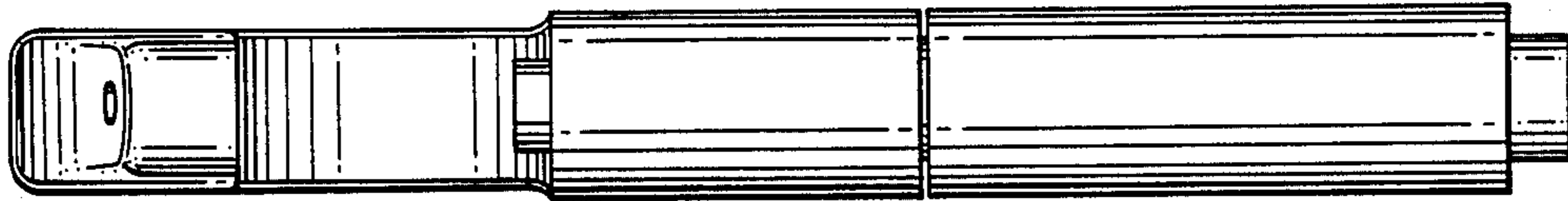
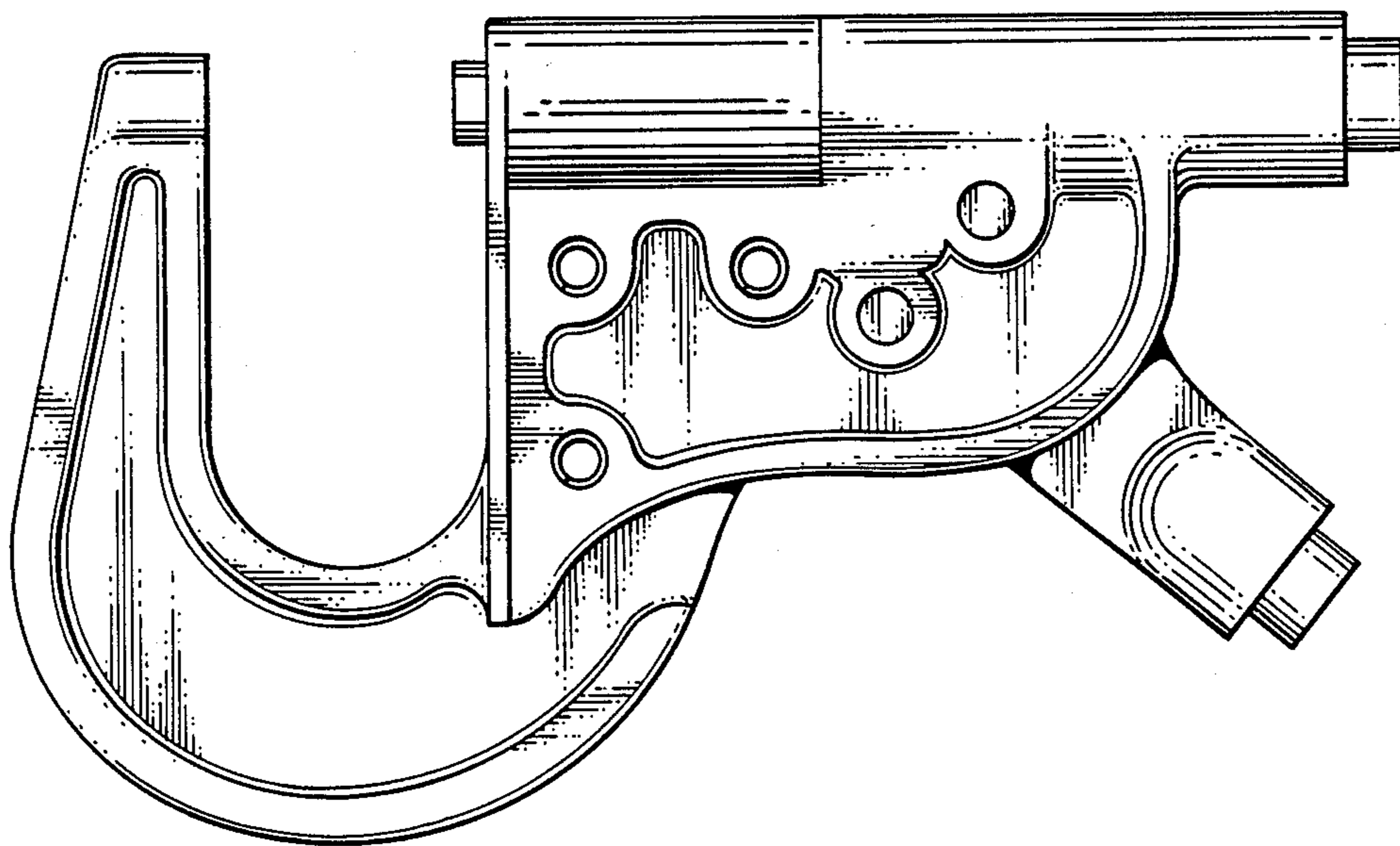
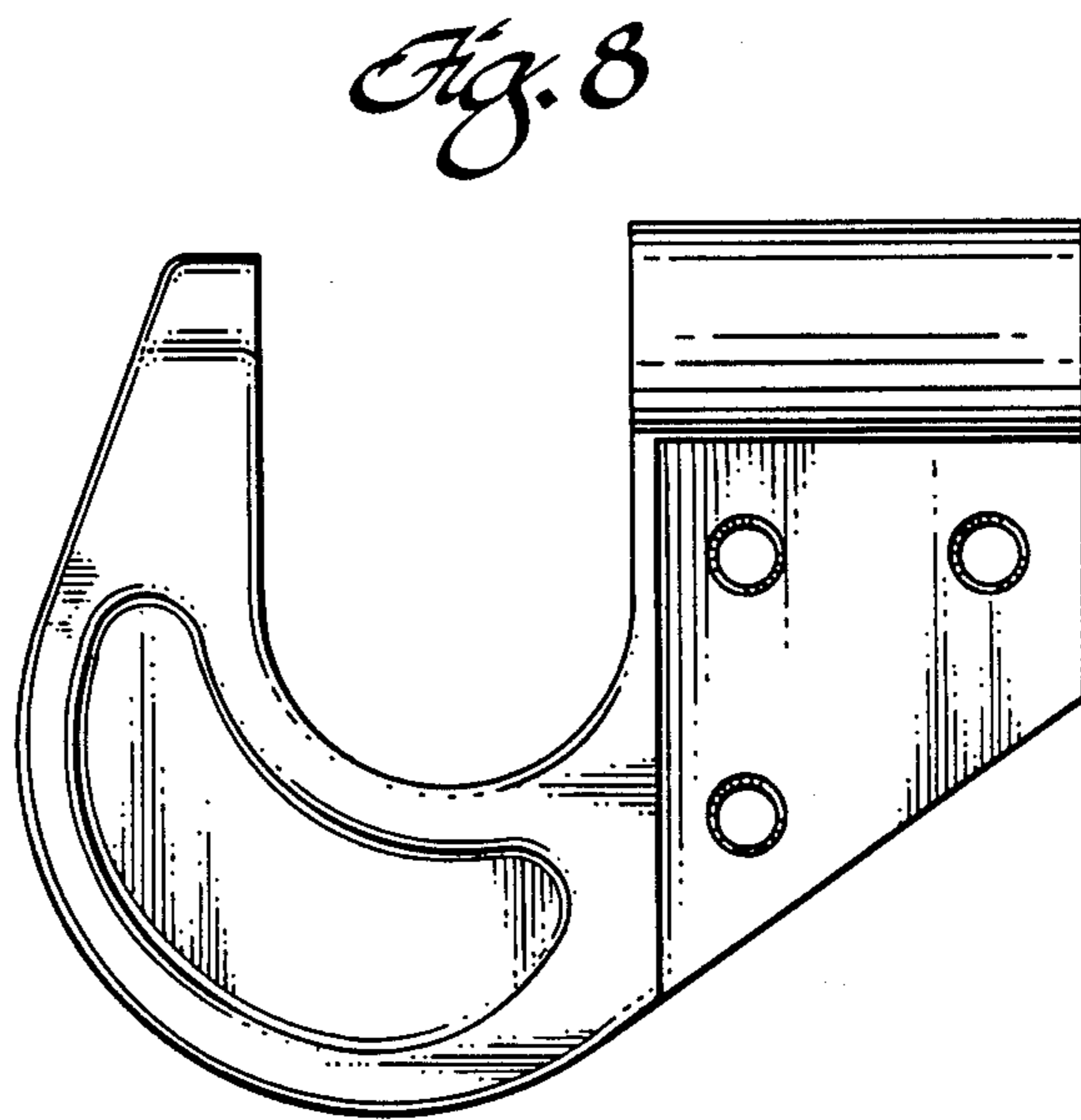
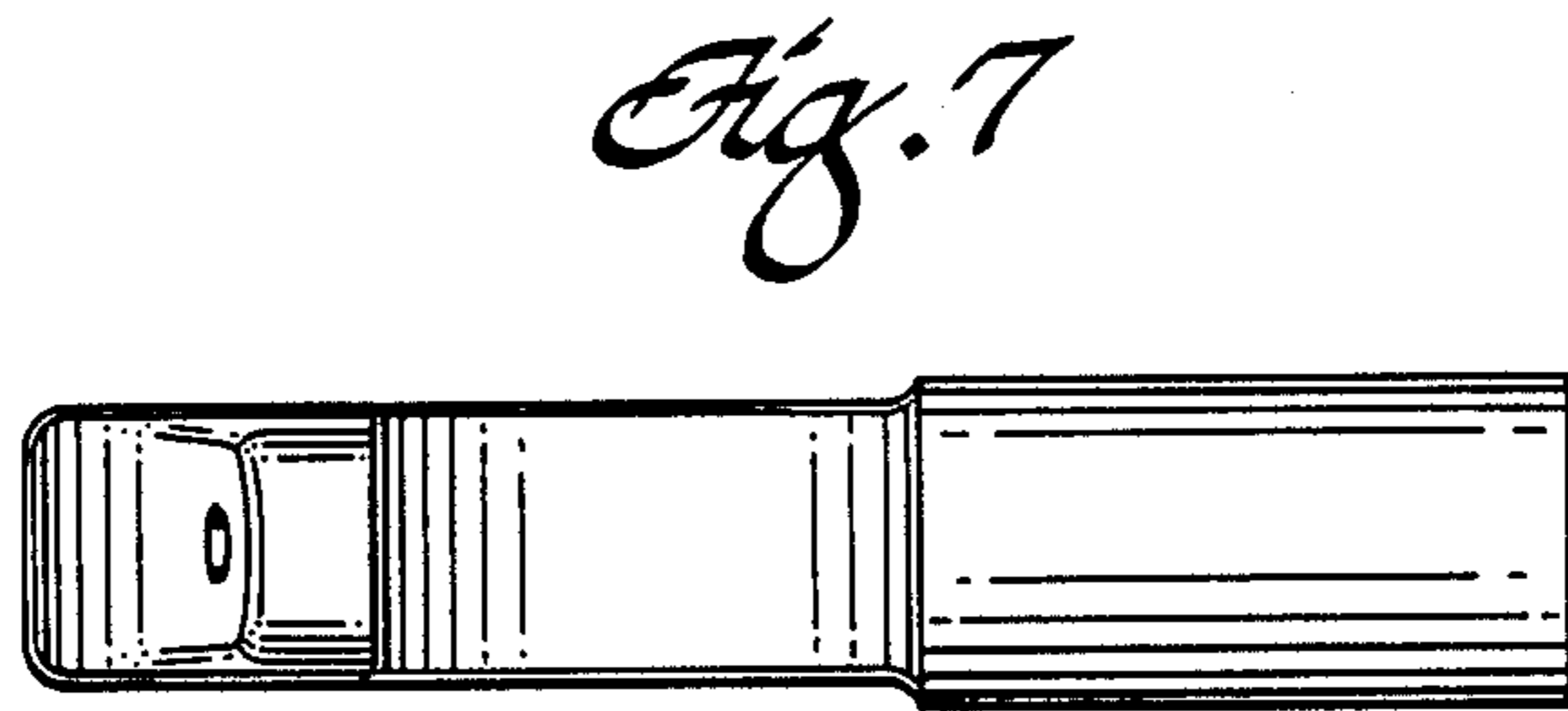
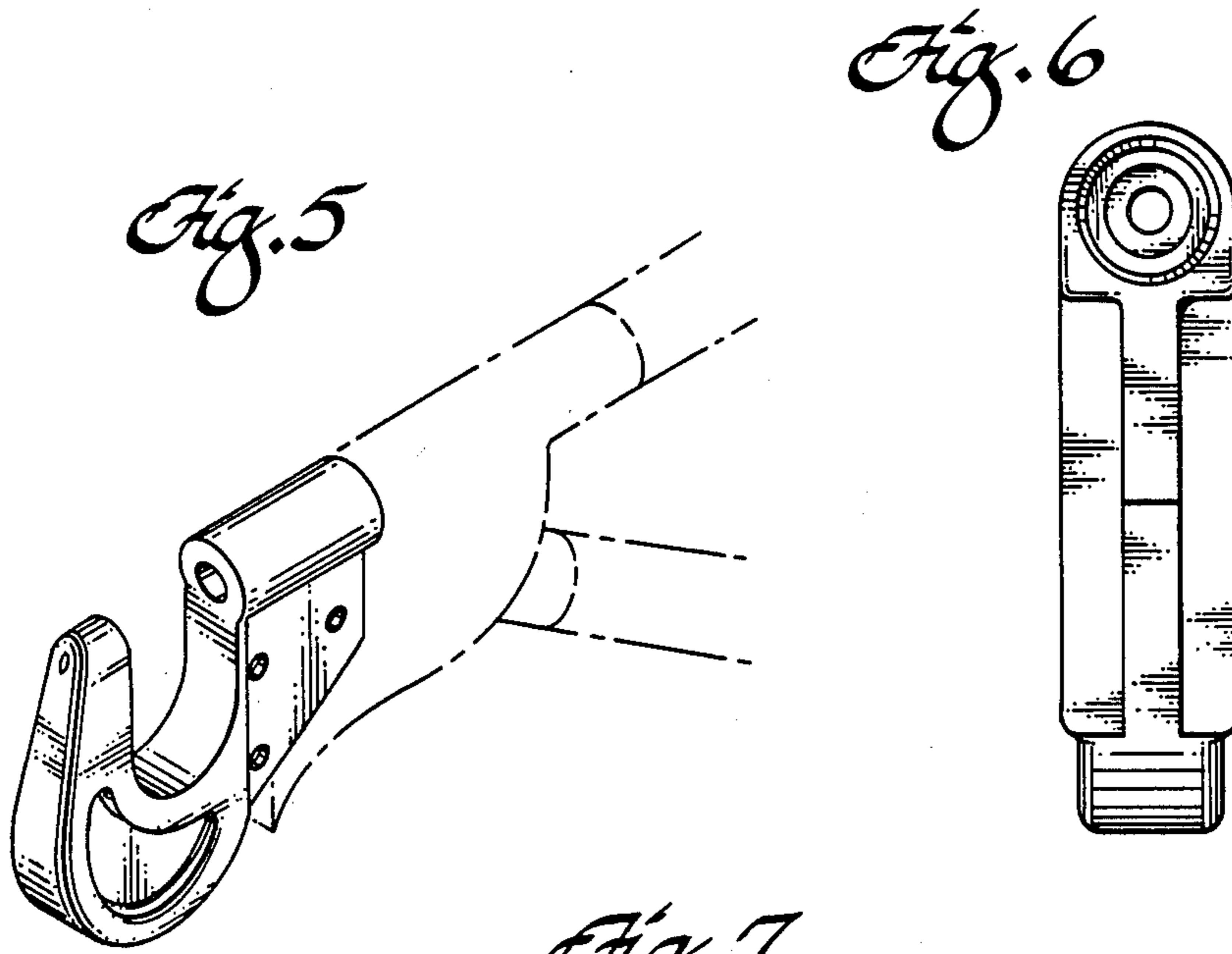


Fig. 4





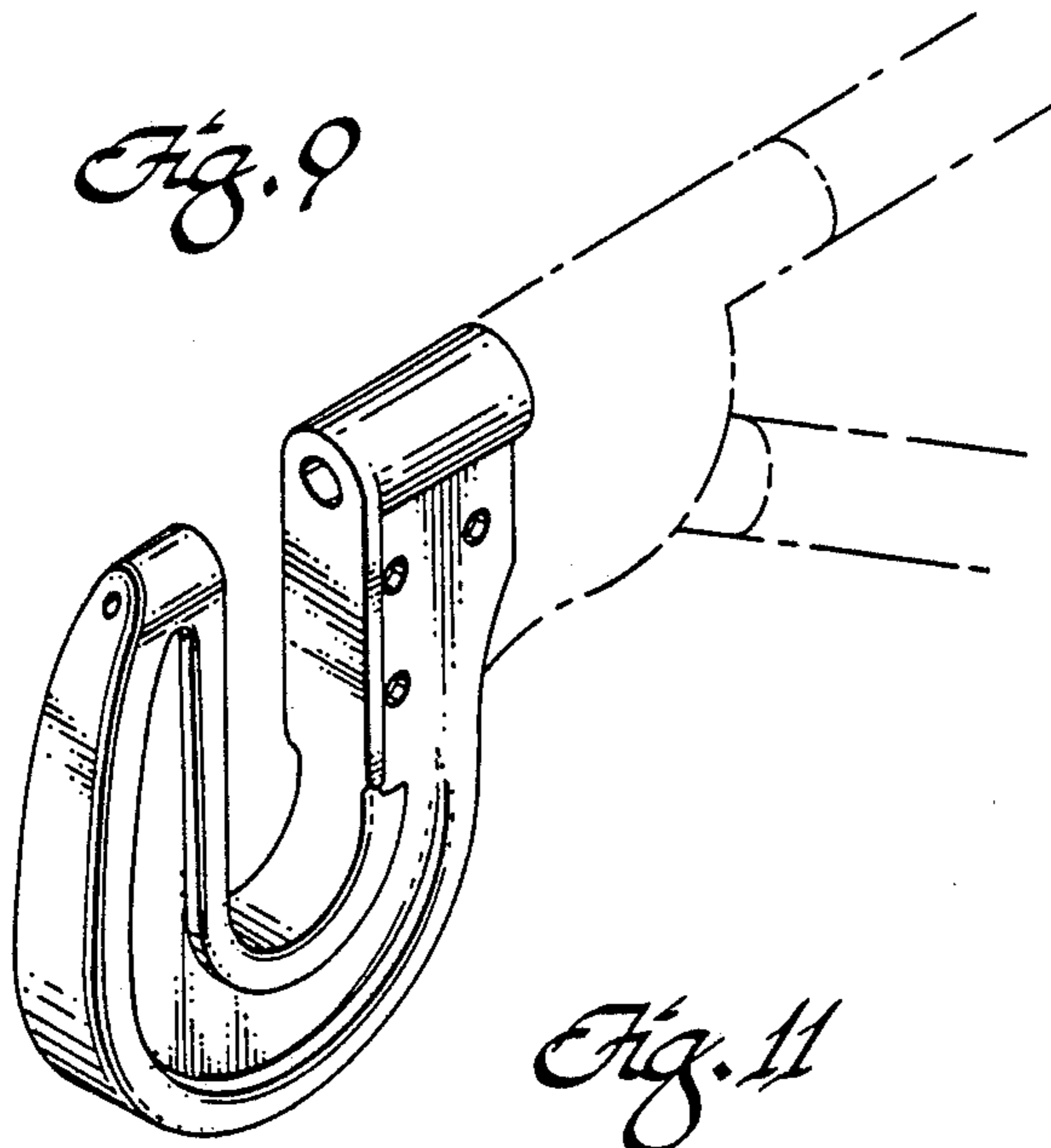


Fig. 10



Fig. 11

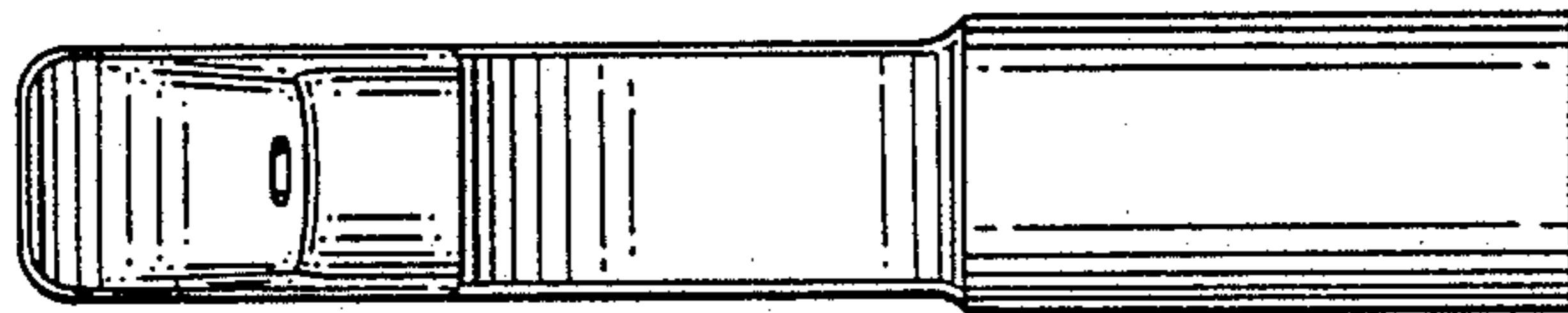


Fig. 12

