

[54] BARBECUE GRILL

[75] Inventor: John R. Elmburg, Miami, Okla.

[73] Assignee: U.S. Metal Container Company, Miami, Okla.

[\*\*] Term: 14 Years

[21] Appl. No.: 59,273

[22] Filed: Jun. 8, 1987

[52] U.S. Cl. .... D7/332

[58] Field of Search ..... D7/331-333, D7/335-338; 126/25 R, 25 A, 25 AA, 25 B, 27, 29-30, 37 R, 38, 41 R, 9 R, 9 B, 275 R

[56] References Cited

U.S. PATENT DOCUMENTS

- D. 142,418 9/1945 Jones ..... D7/332
- D. 194,448 1/1963 Blumenshire ..... D7/332

- D. 282,619 2/1986 Fitzgerald et al. .... D7/332
- 4,582,041 4/1986 Erickson ..... 126/25 R

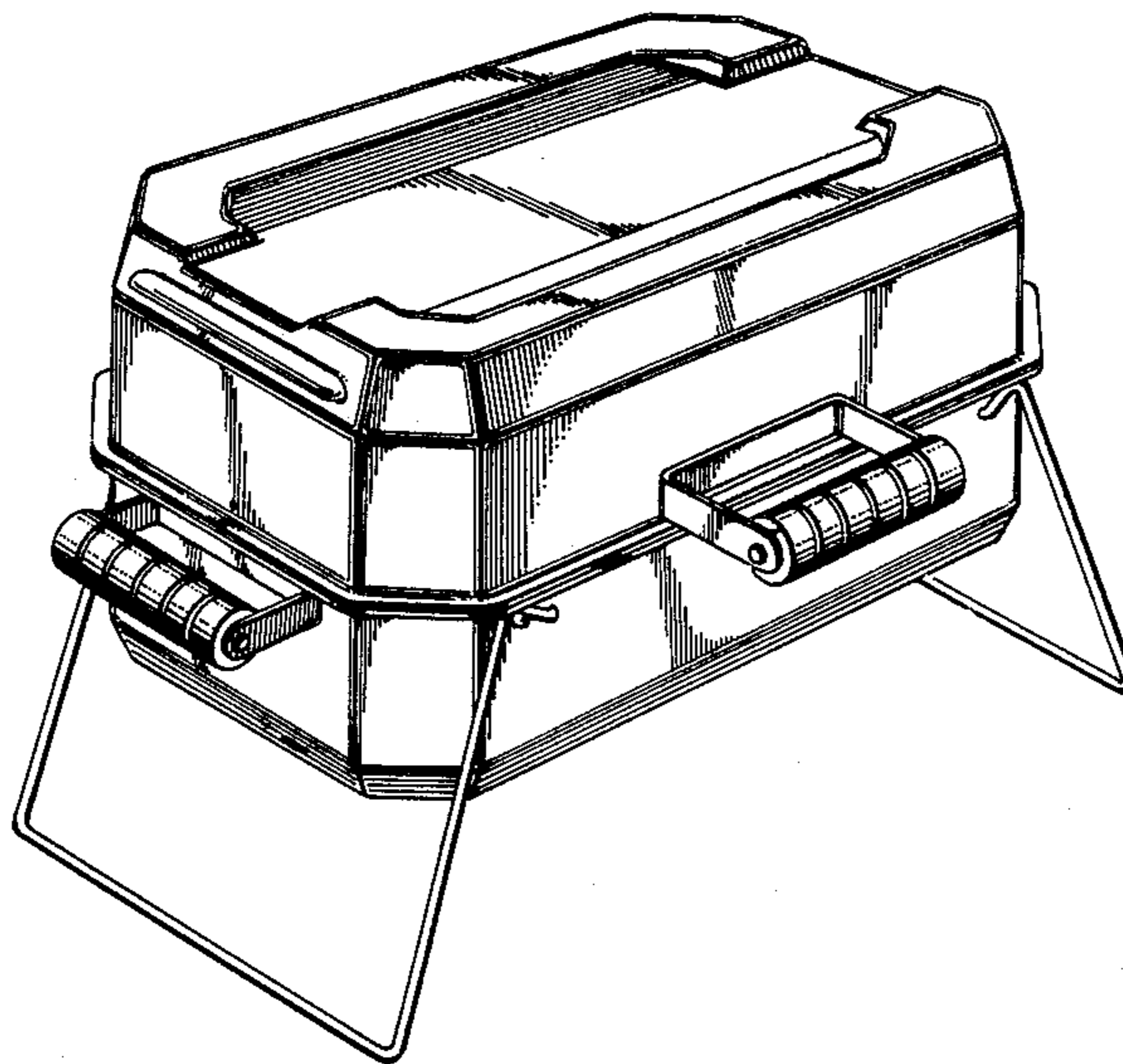
Primary Examiner—Bruce W. Dunkins  
 Assistant Examiner—Ruth Takemoto  
 Attorney, Agent, or Firm—Hovey, Williams, Timmons & Collins

[57] CLAIM

The ornamental design for a barbecue grill, as shown.

DESCRIPTION

FIG. 1 is a front elevational view of the barbecue grill;  
 FIG. 2 is a top plan view thereof;  
 FIG. 3 is an end elevational view thereof;  
 FIG. 4 is an end elevational view thereof, of the opposite side of FIG. 3;  
 FIG. 5 is a rear elevational view thereof;  
 FIG. 6 is a bottom plan view thereof; and  
 FIG. 7 is a perspective view thereof.



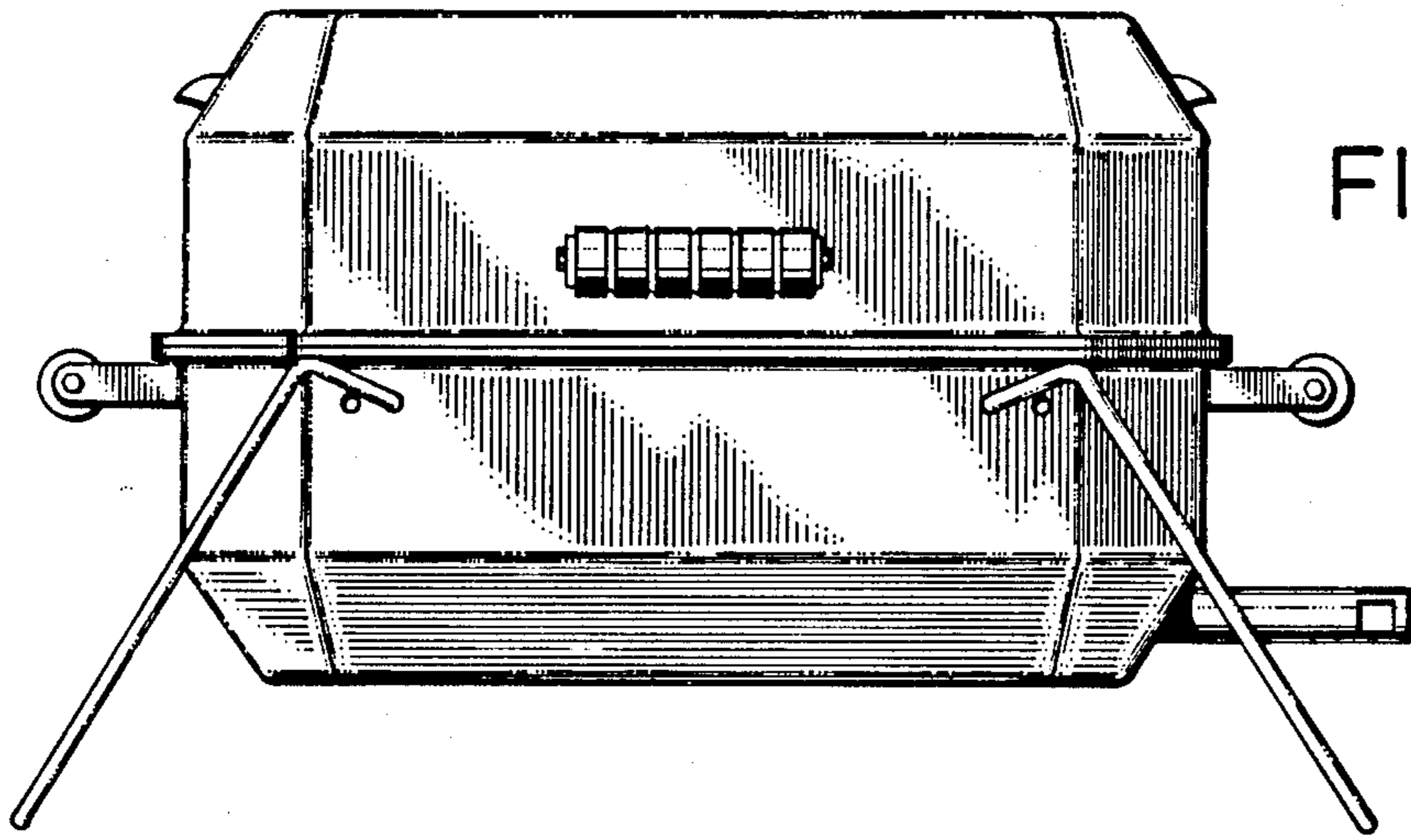


FIG. 1

FIG. 2

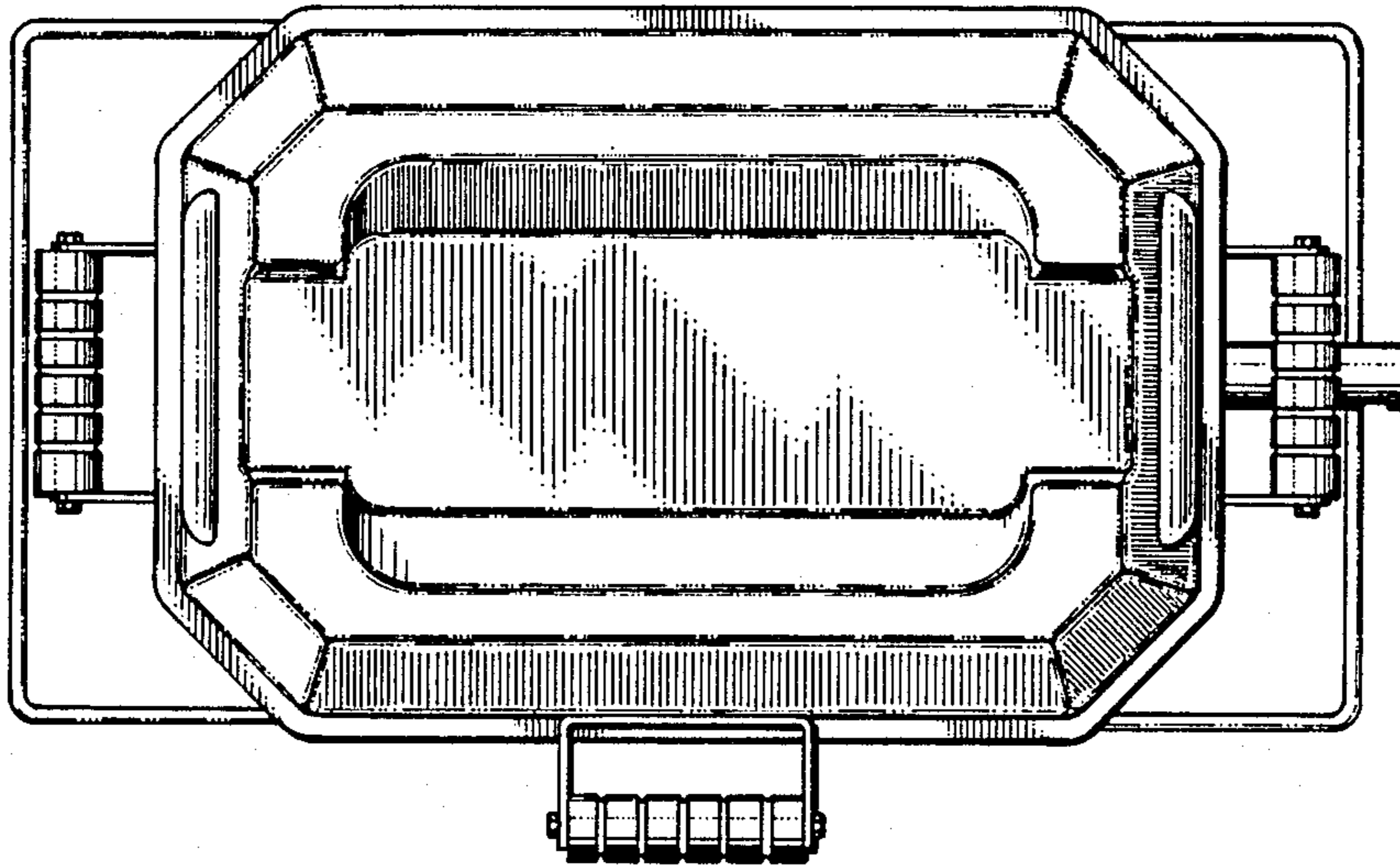


FIG. 3

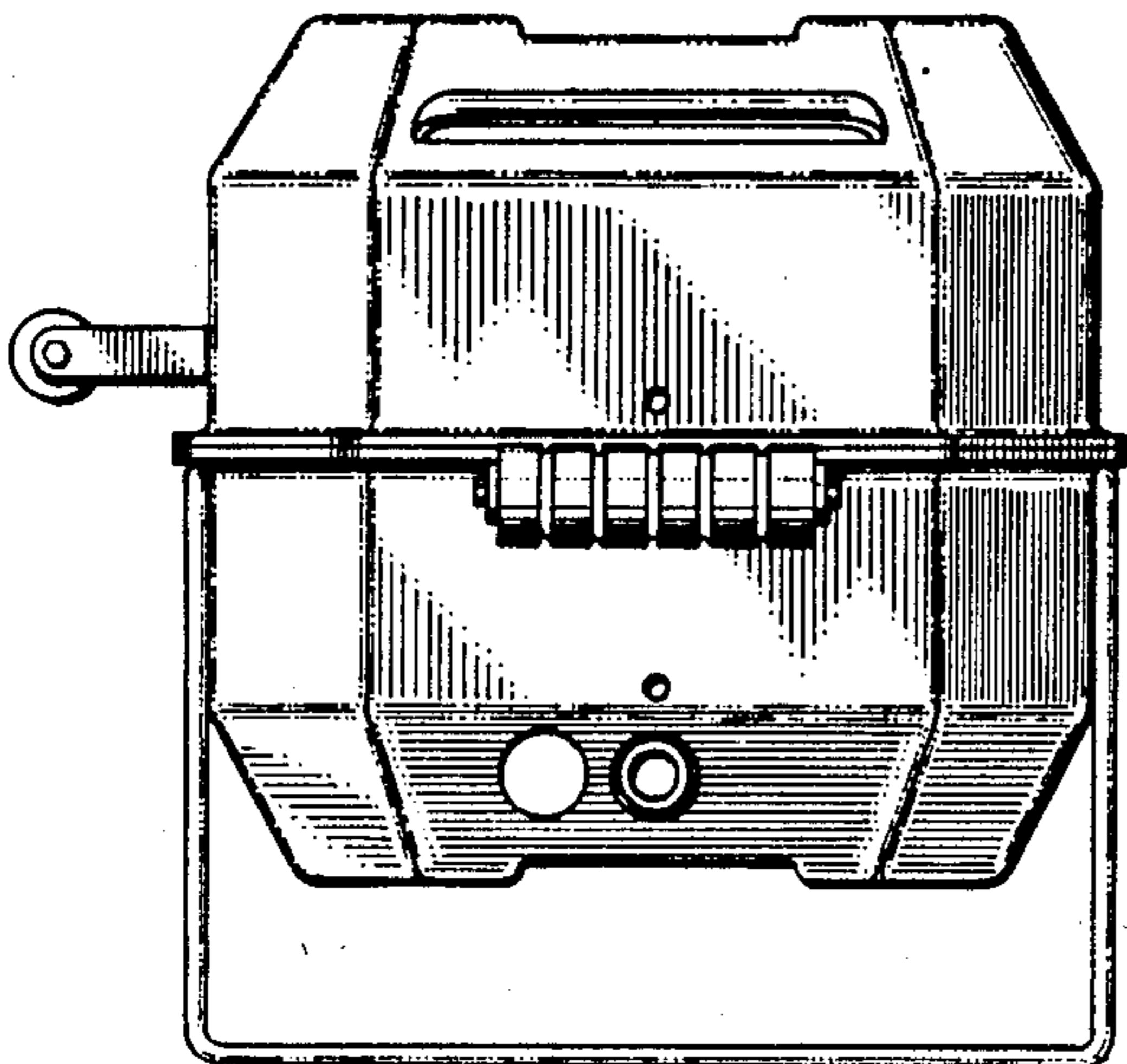


FIG. 4

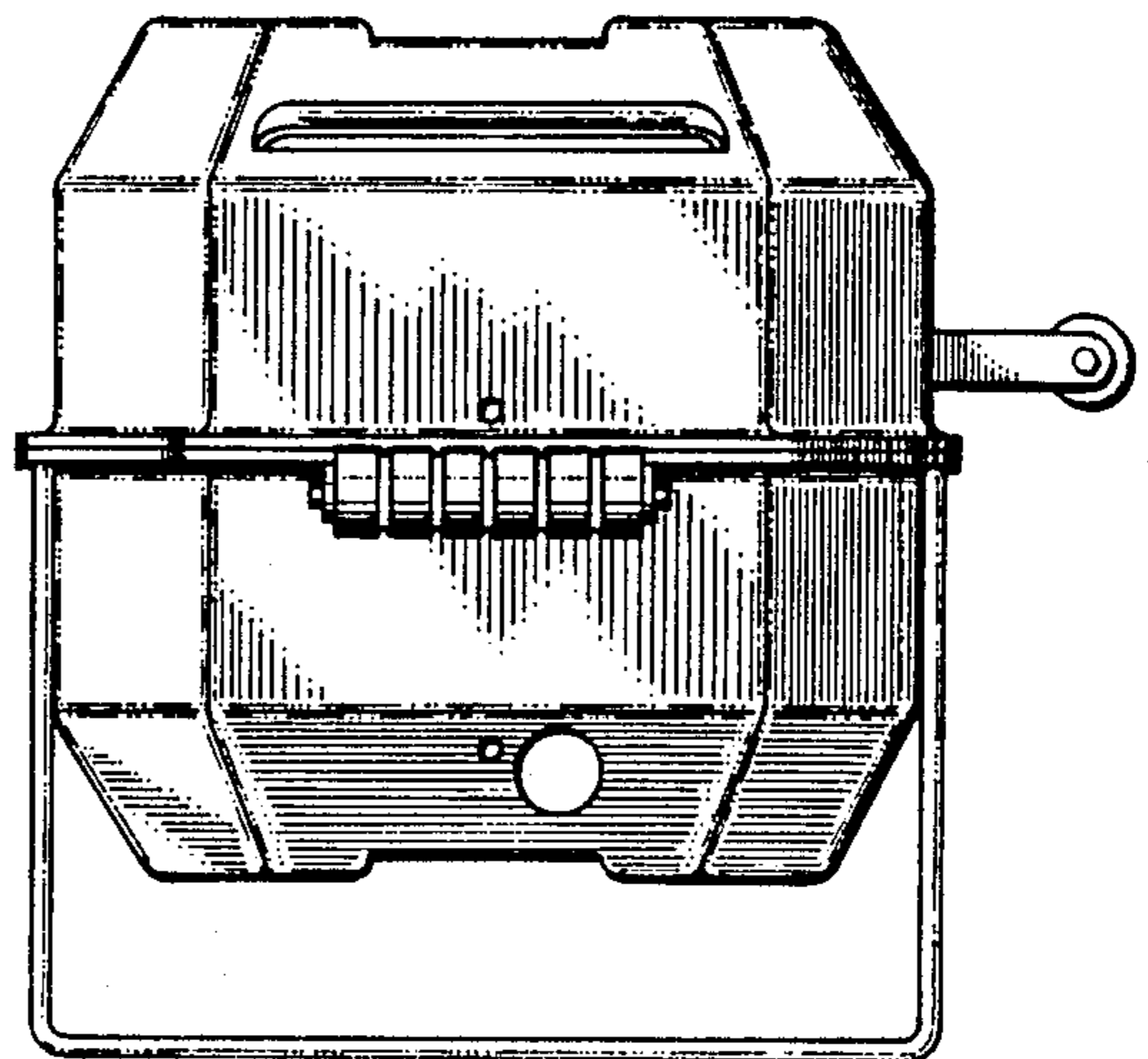


FIG. 5

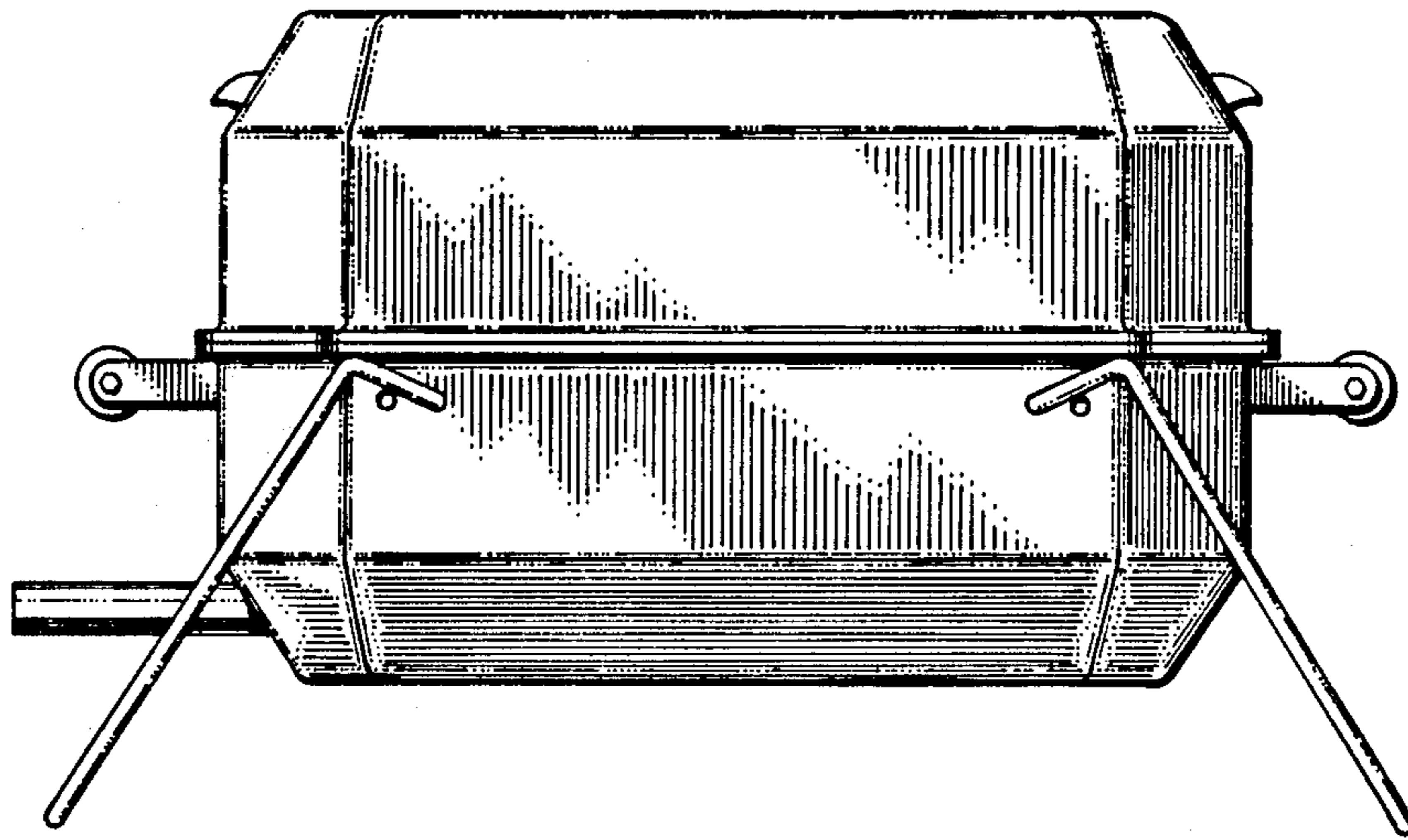
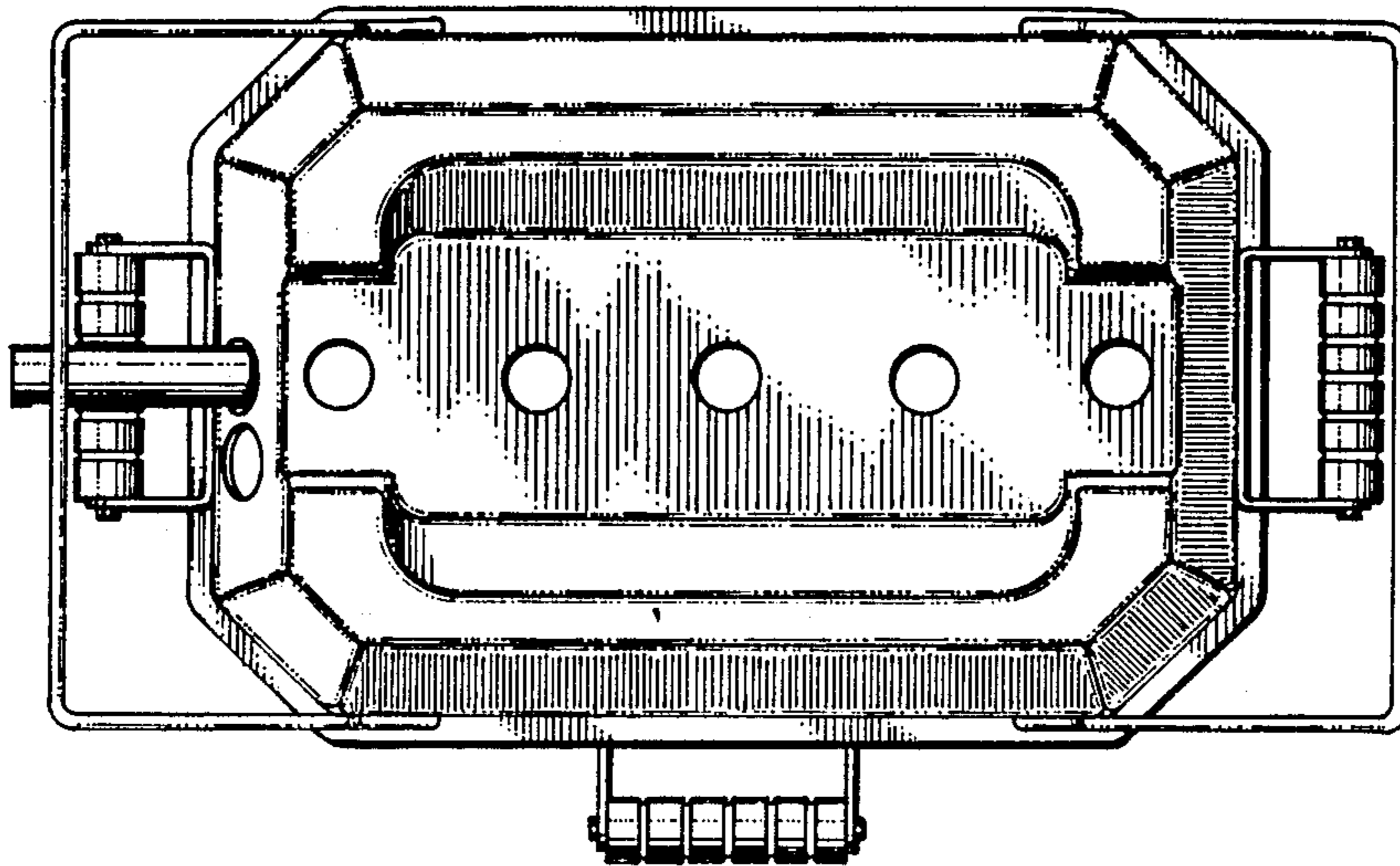


FIG. 6



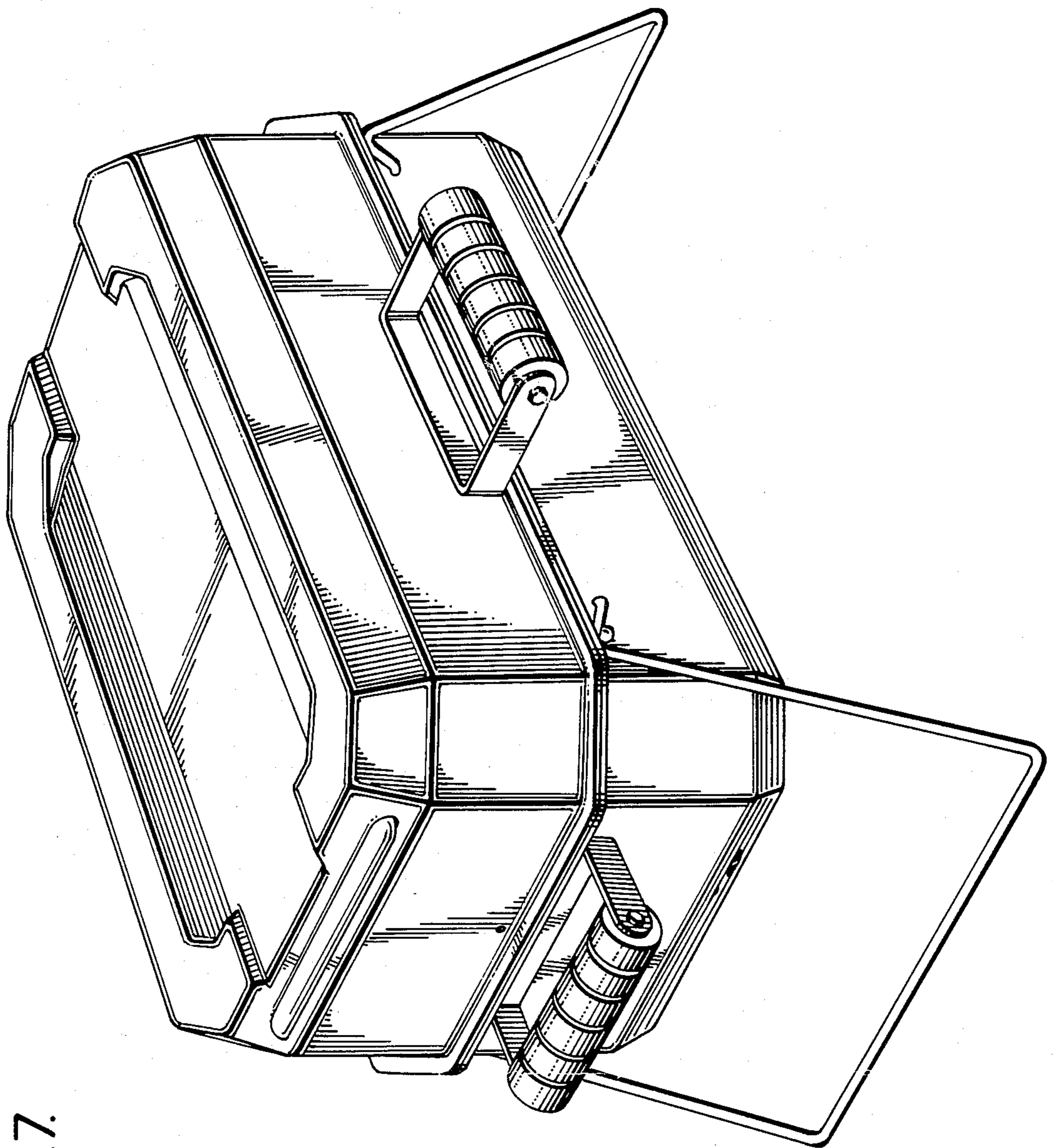


FIG. 7.