

[54] WHISK

[75] Inventors: William D. Hiscott, Chicago, Ill.; Ina Witlin, North Miami Beach, Fla.; Theodore J. Hasler; Andrew T. Jastrzebski, both of Chicago, Ill.

[73] Assignee: Ekco Housewares, Inc., Franklin Park, Ill.

[\*\*] Term: 14 Years

[21] Appl. No.: 45,135

[22] Filed: May 4, 1987

[52] U.S. Cl. .... D7/103

[58] Field of Search ..... D7/99-106; 241/169.2; 416/69, 70 R; 366/129-130

[56] References Cited  
PUBLICATIONS

Design, 3/57, p. 41, Whisks.

Primary Examiner—Bernard Ansher  
Assistant Examiner—Terry A. Pfeffer  
Attorney, Agent, or Firm—Robert D. Teichert

[57] CLAIM

The ornamental design for a whisk, as shown.

DESCRIPTION

FIG. 1 is a top plan view of a whisk showing our new design;

FIG. 2 is a side elevational view thereof;

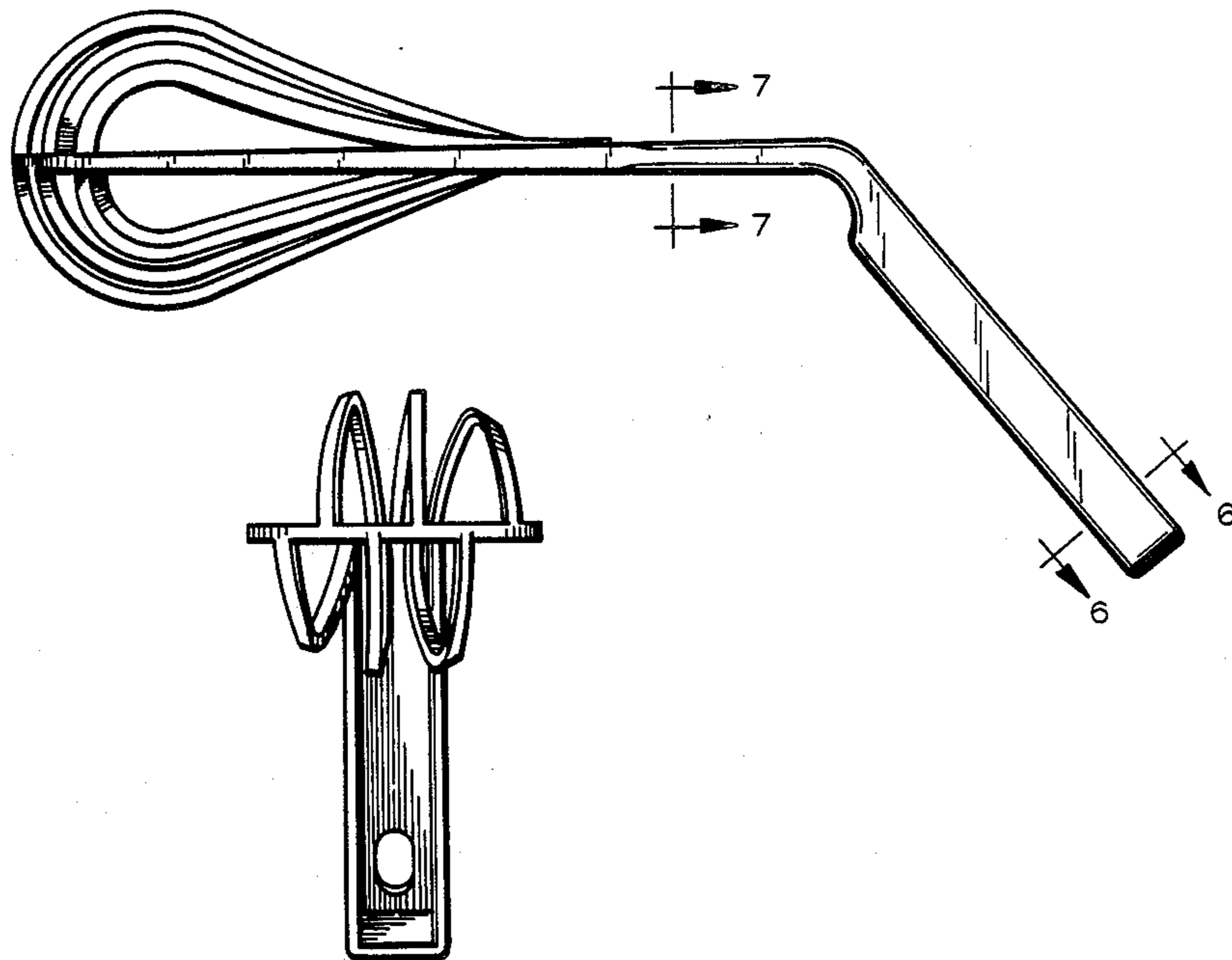
FIG. 3 is a bottom plan view thereof;

FIG. 4 is a left end elevational view thereof;

FIG. 5 is a right end elevational view thereof;

FIG. 6 is a sectional view on an enlarged scale taken along line 6—6 of FIG. 2;

FIG. 7 is a sectional view on an enlarged scale taken along line 7—7 of FIG. 2.



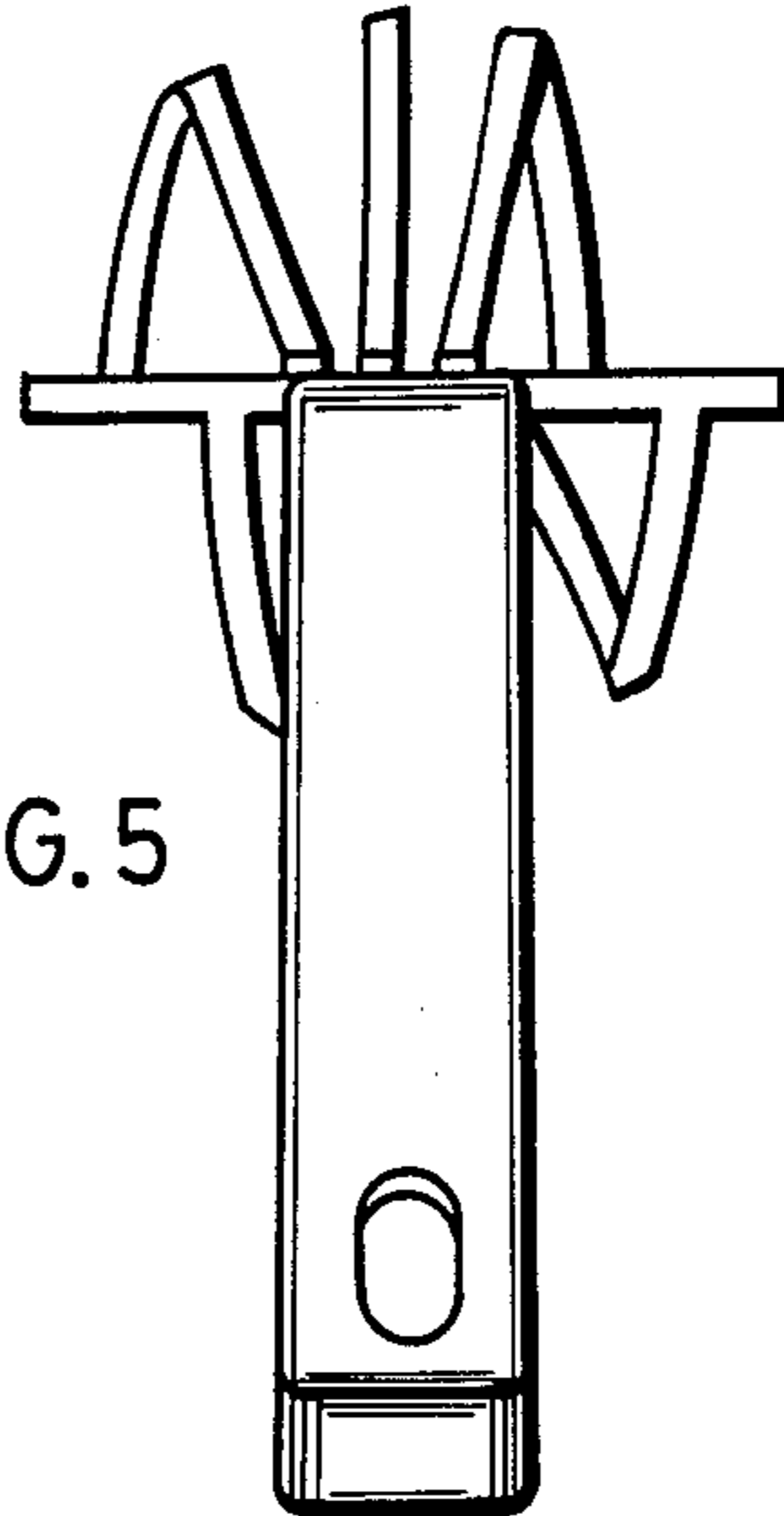
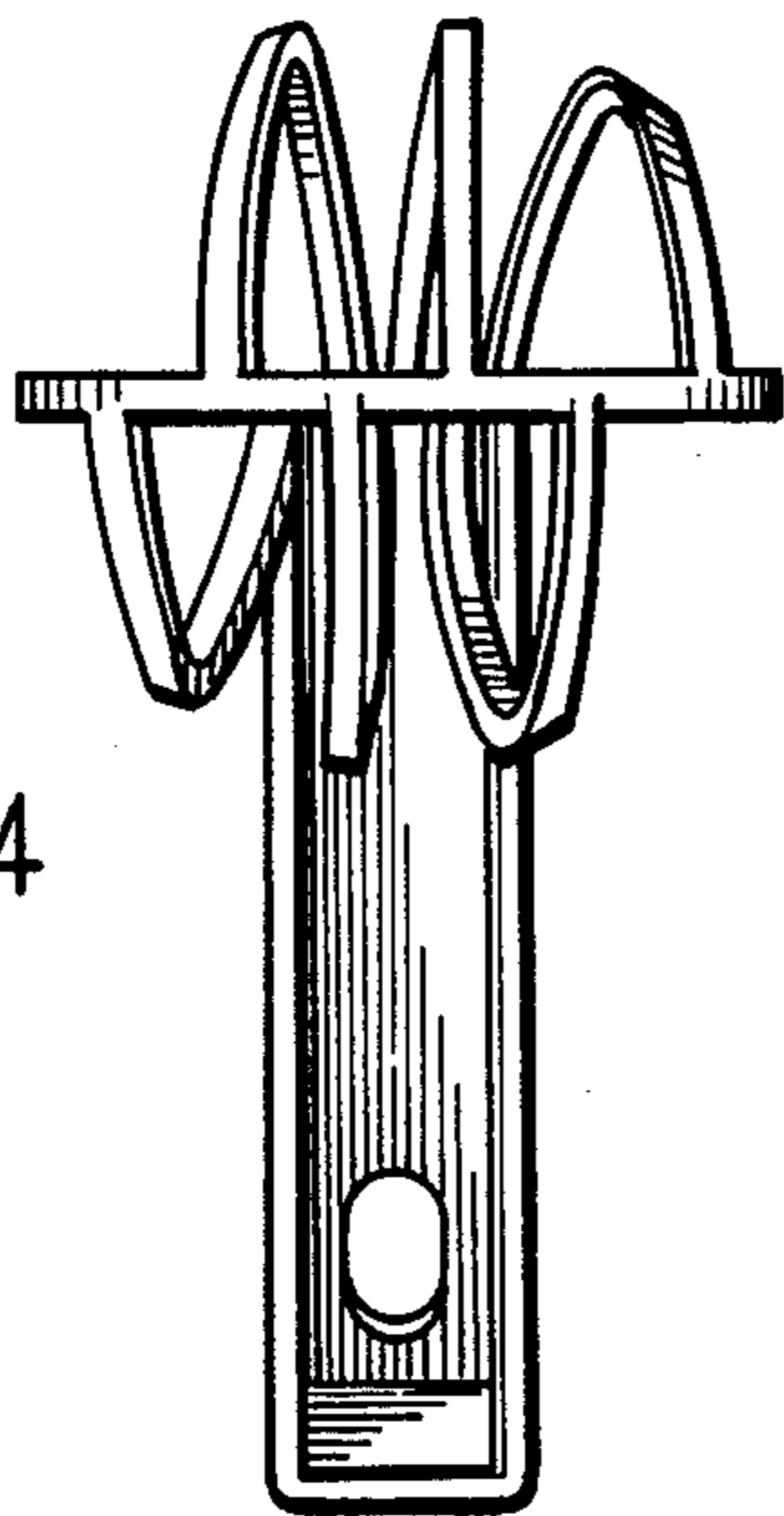
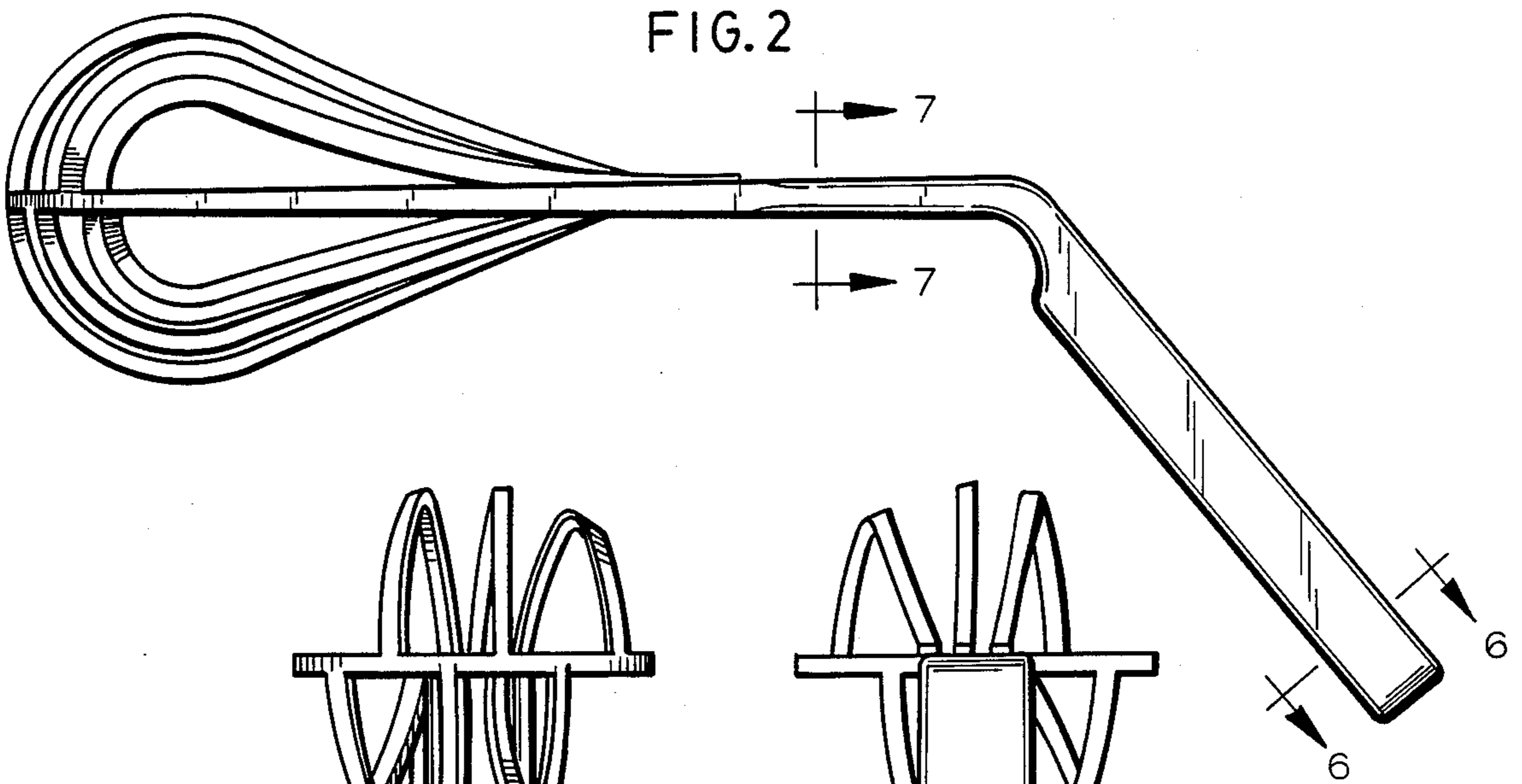
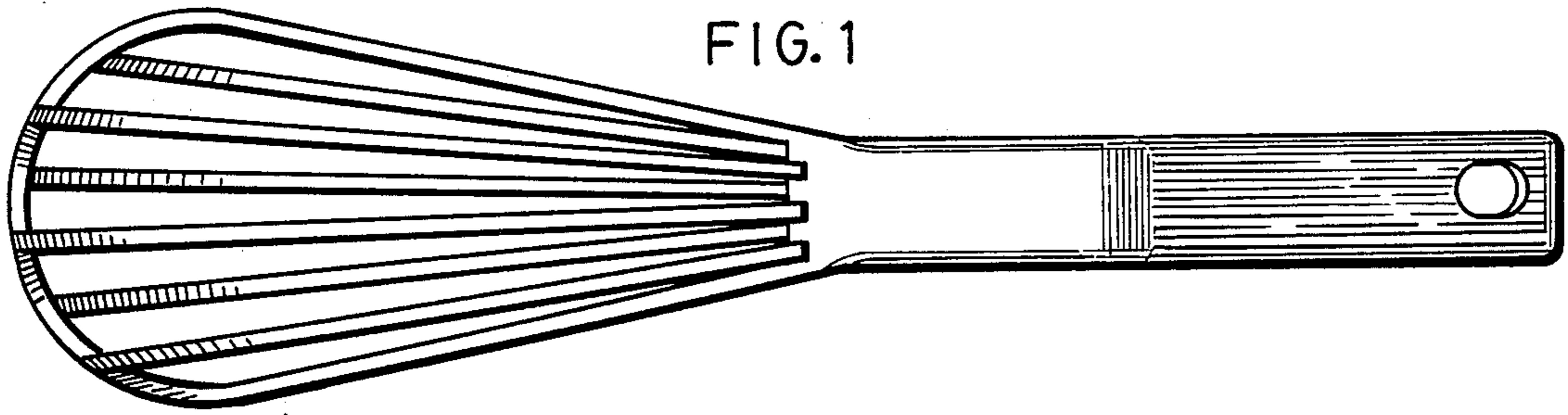


FIG. 4

FIG. 5

FIG. 7



FIG. 6

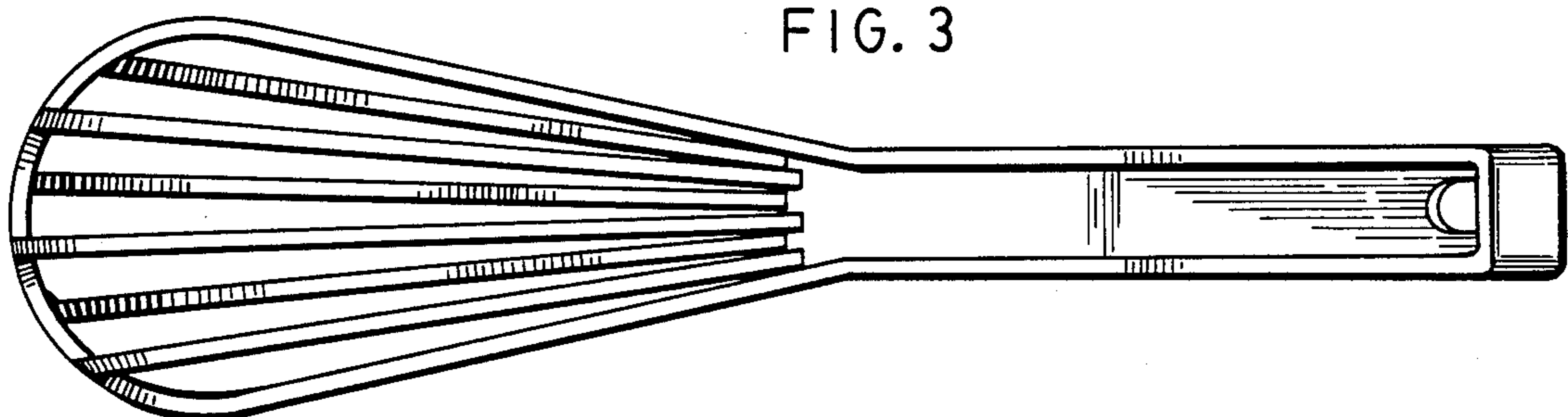
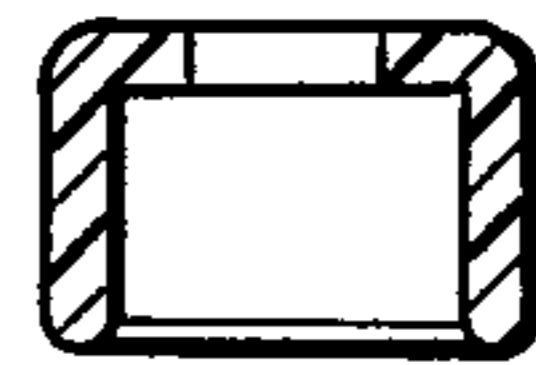


FIG. 3