

[54] SPLATTER SCREEN

[75] Inventors: William D. Hiscott, Chicago, Ill.; Ina Witlin, North Miami Beach, Fla.; Theodore J. Hasler; Andrew T. Jastrzebski, both of Chicago, Ill.

[73] Assignee: Ekco Housewares, Inc., Franklin Park, Ill.

[**] Term: 14 Years

[21] Appl. No.: 45,134

[22] Filed: May 4, 1987

[52] U.S. Cl. D7/99; D7/47

[58] Field of Search D7/99, 47; 210/499, 210/474, 464, 469-471

[56] References Cited

U.S. PATENT DOCUMENTS

3,809,281 5/1974 Kalkowski 210/471 X

OTHER PUBLICATIONS

Discovery House, 1978, p. 31, Splatter Preventer, bottom, right corner.

Kitchen Bazaar, 1981, p. 7, Splatter Shield, right column, 2nd down.

Primary Examiner—Bernard Ansher
Assistant Examiner—Terry A. Pfeffer
Attorney, Agent, or Firm—Robert D. Teichert

[57] CLAIM

The ornamental design for a splatter screen, as shown.

DESCRIPTION

FIG. 1 is a top plan view of a splatter screen showing our new design;

FIG. 2 is a left side elevational view thereof;

FIG. 3 is a right side elevational view thereof;

FIG. 4 is a bottom plan view thereof;

FIG. 5 is a side elevational view thereof;

FIG. 6 is a sectional view on an enlarged scale taken along lines 6—6 of FIG. 3.

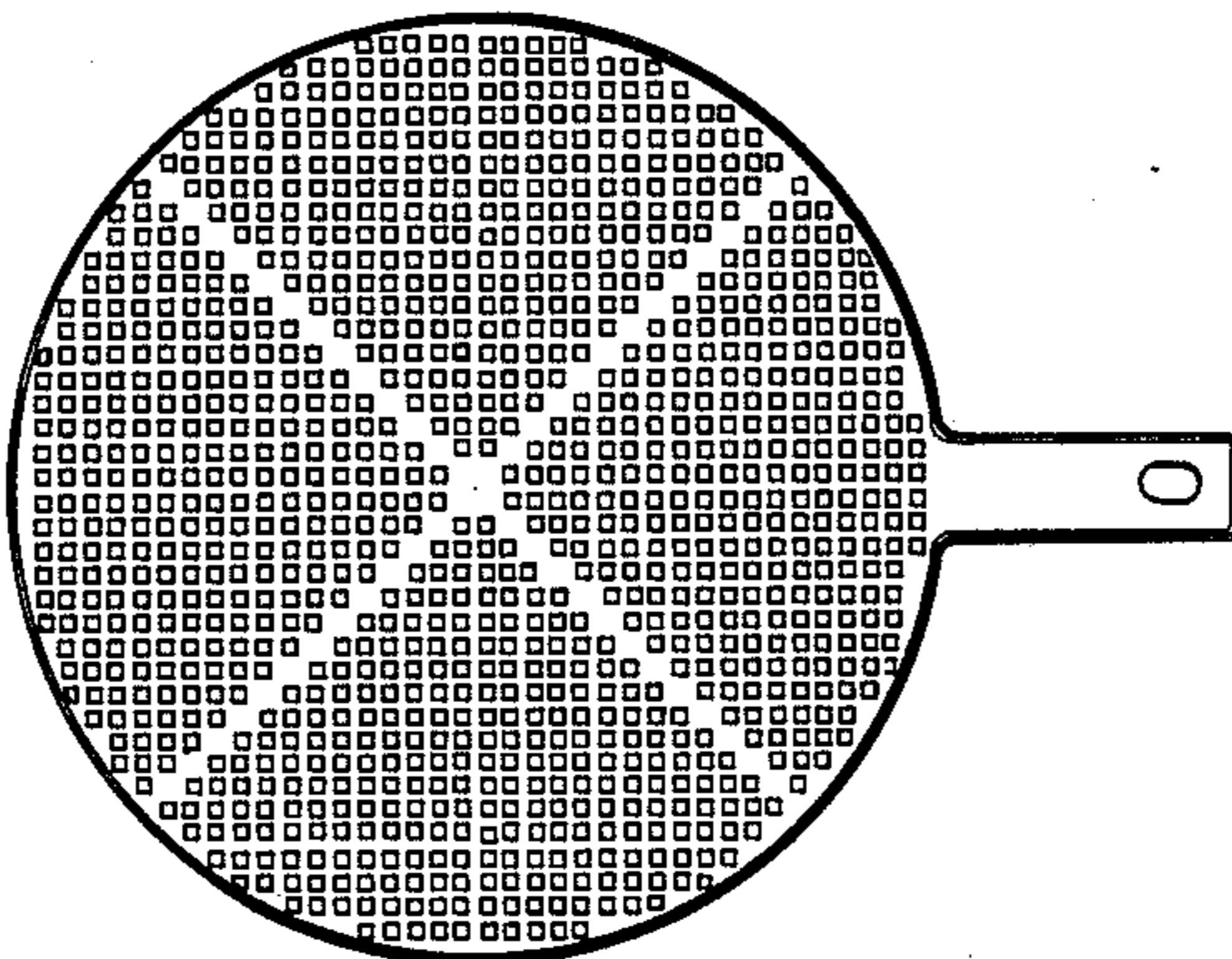


FIG. 1

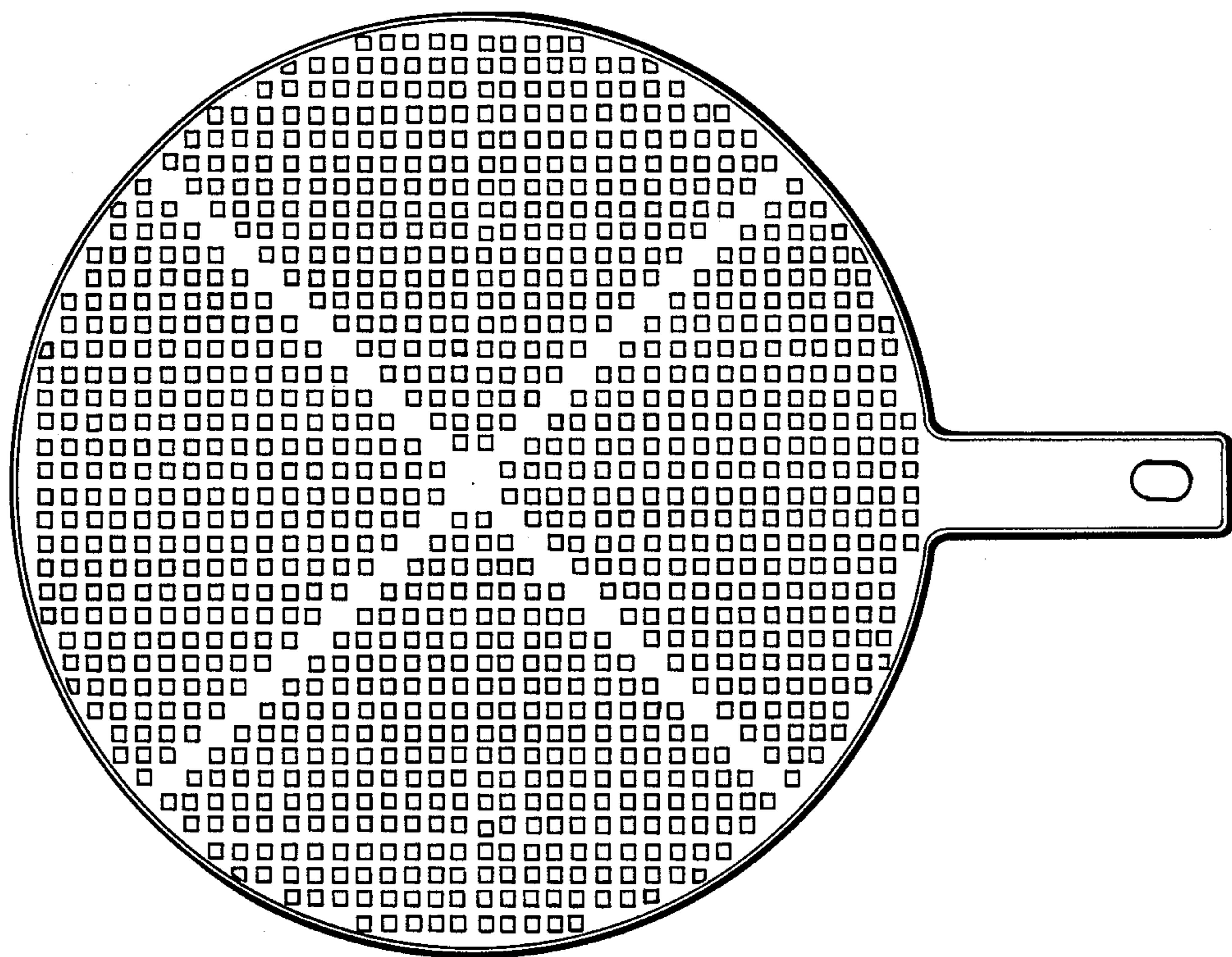


FIG. 2

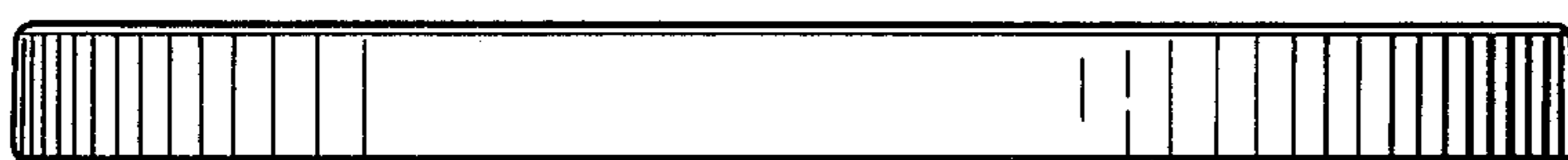


FIG. 3

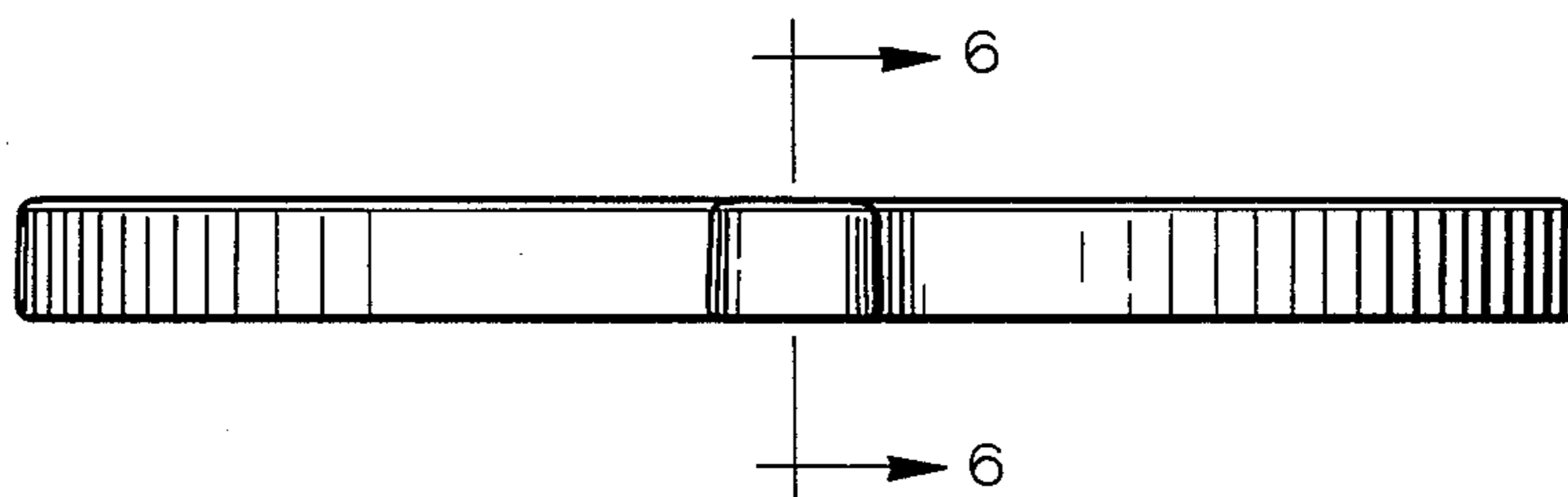


FIG. 4

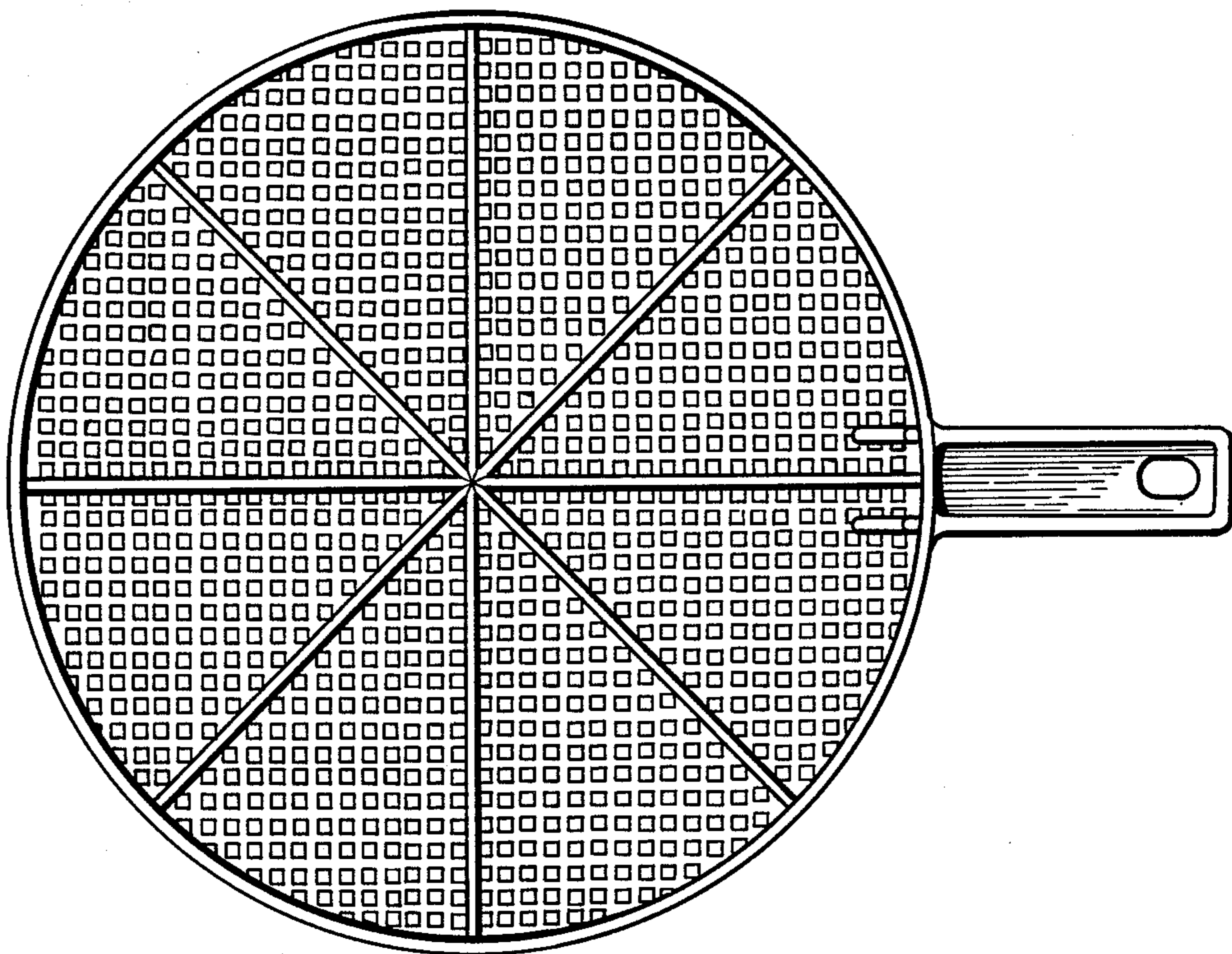


FIG. 5



FIG. 6

