

[54] **CHAIR**

[75] **Inventor: Just B. Meyer, Rhenen, Netherlands**

[73] **Assignee: Kembo B.V., Veenendaal, Netherlands**

[*] **Notice: The portion of the term of this patent subsequent to Feb. 17, 2001 has been disclaimed.**

[**] **Term: 14 Years**

[21] **Appl. No.: 920,356**

[22] **Filed: Oct. 17, 1986**

[52] **U.S. Cl. D6/379**

[58] **Field of Search D6/334, 375, 370**

[56]

References Cited

U.S. PATENT DOCUMENTS

D. 259,078 5/1981 Deconinck D6/370
D. 261,580 11/1981 Aulenti D6/334
D. 288,265 2/1987 Meyer D6/375

Primary Examiner—Bruce W. Dunkins

Assistant Examiner—Ann S. Hunt

Attorney, Agent, or Firm—Thomas E. Sisson

[57]

CLAIM

The ornamental design for a chair, as shown and described.

DESCRIPTION

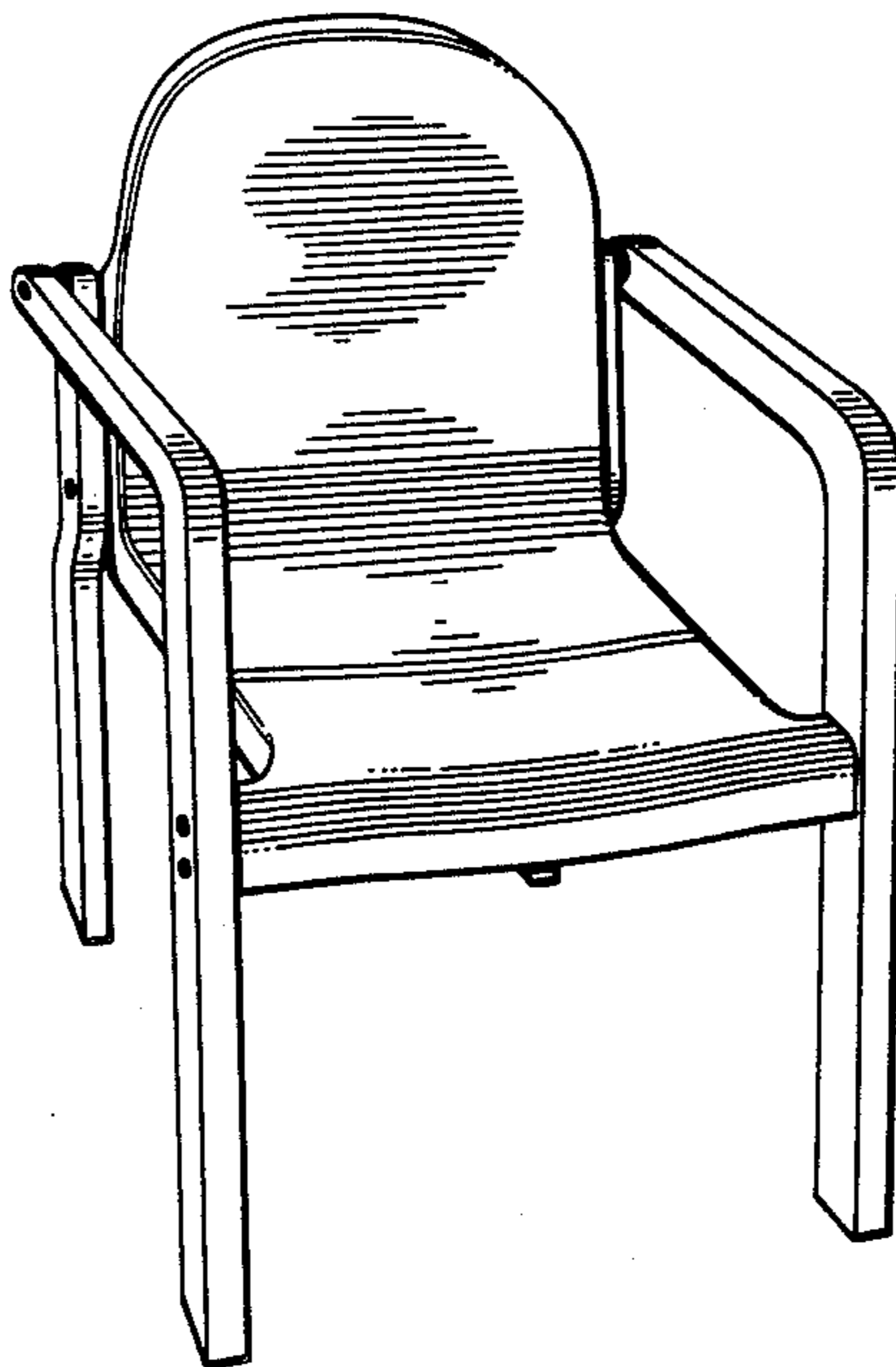
FIG. 1 is a top view of the chair

FIG. 2 is a rear elevational view;

FIG. 3 is a side elevational view, the opposite side being a mirror image thereof.

FIG. 4 is a front view; and

FIG. 5 is a perspective view on an enlarged scale.



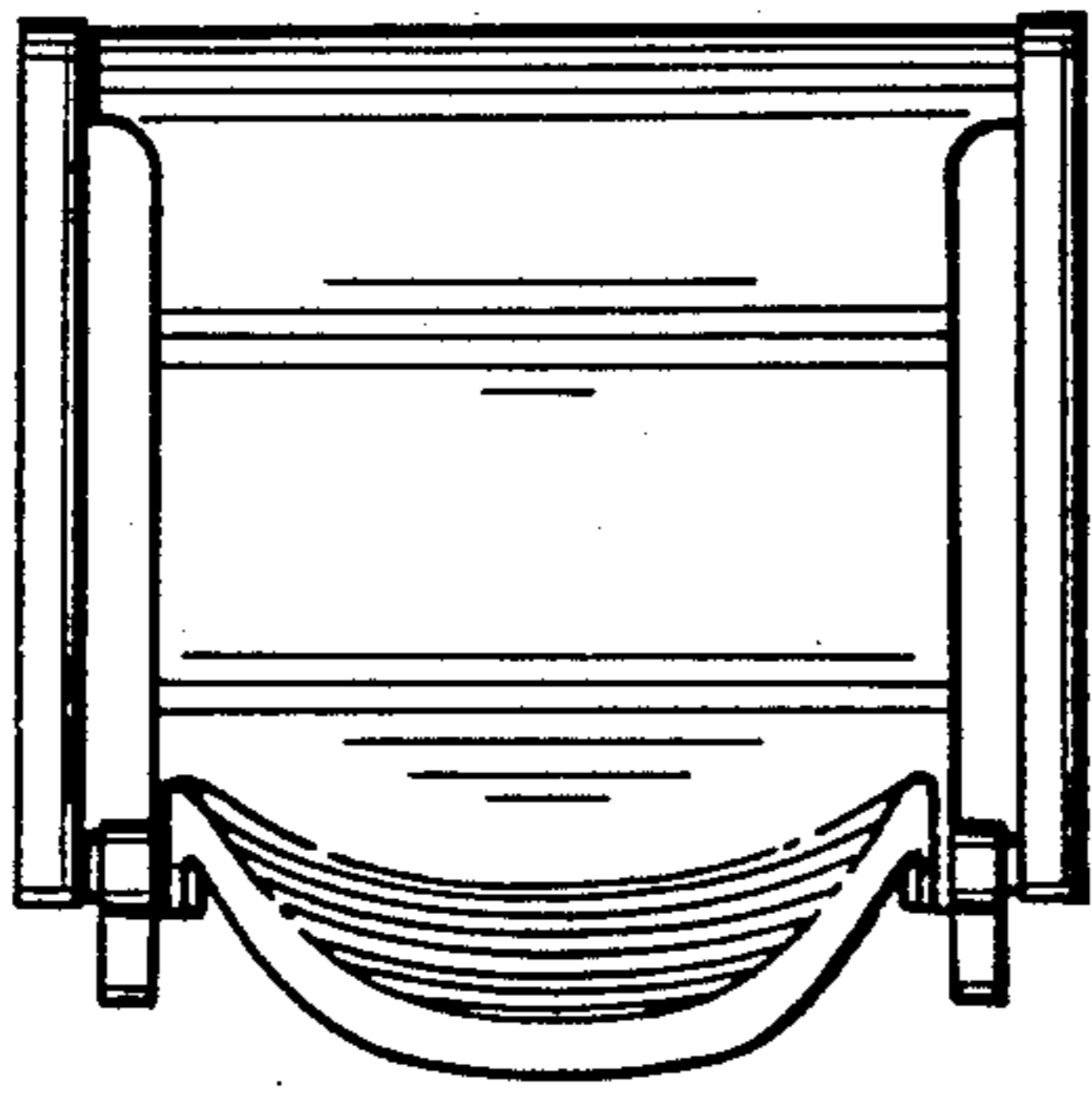


FIG. 1.

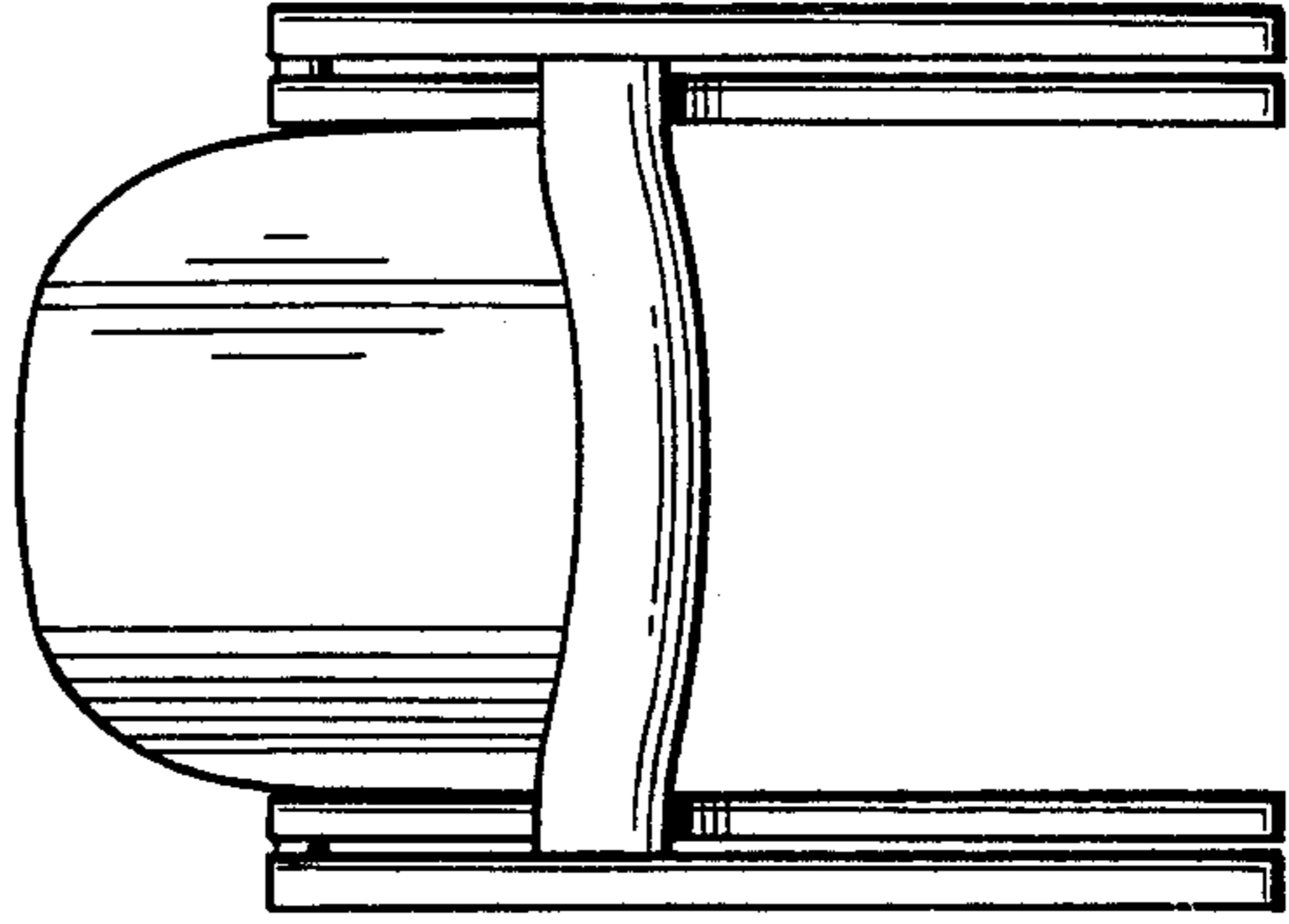


FIG. 4.

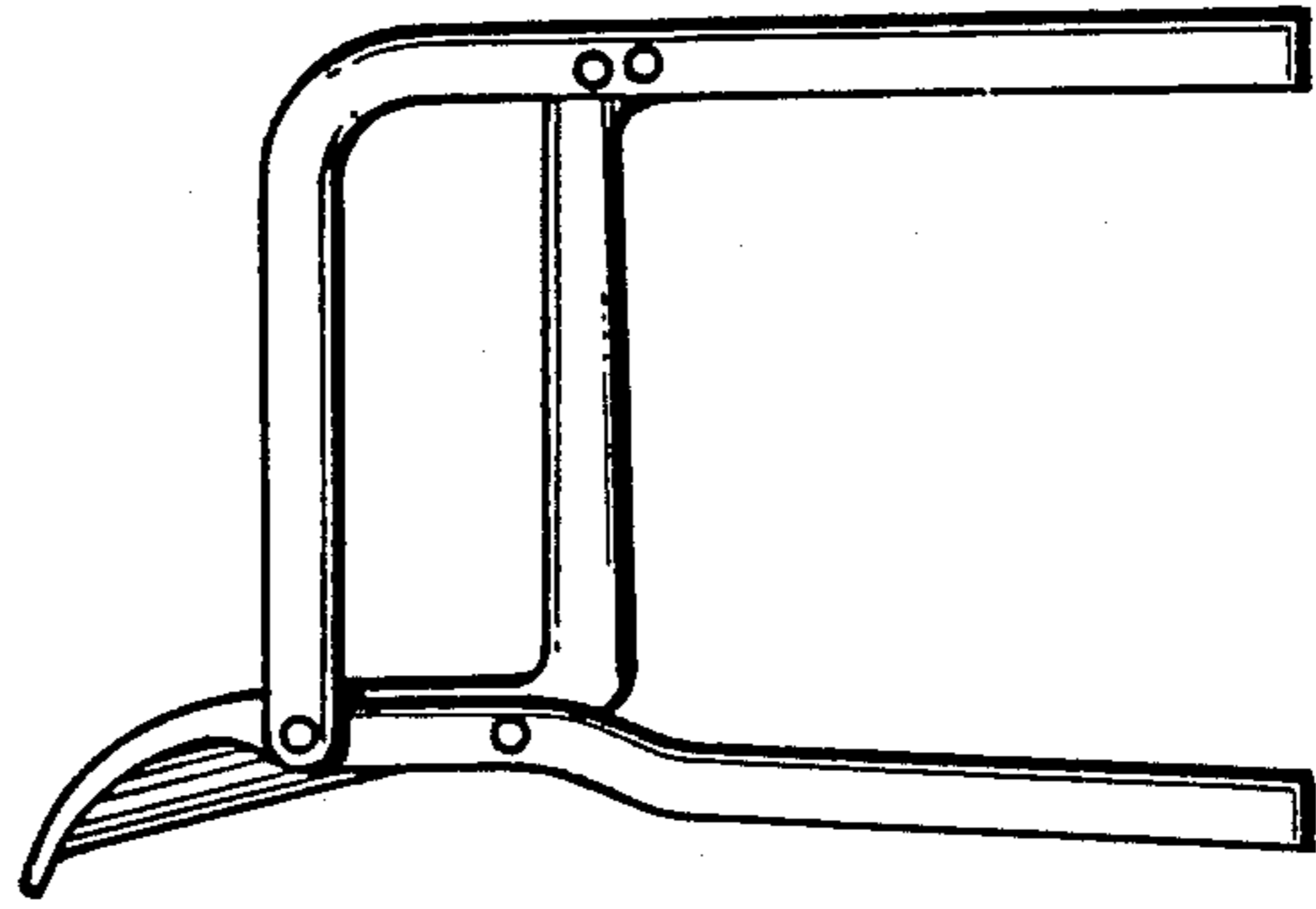


FIG. 3.

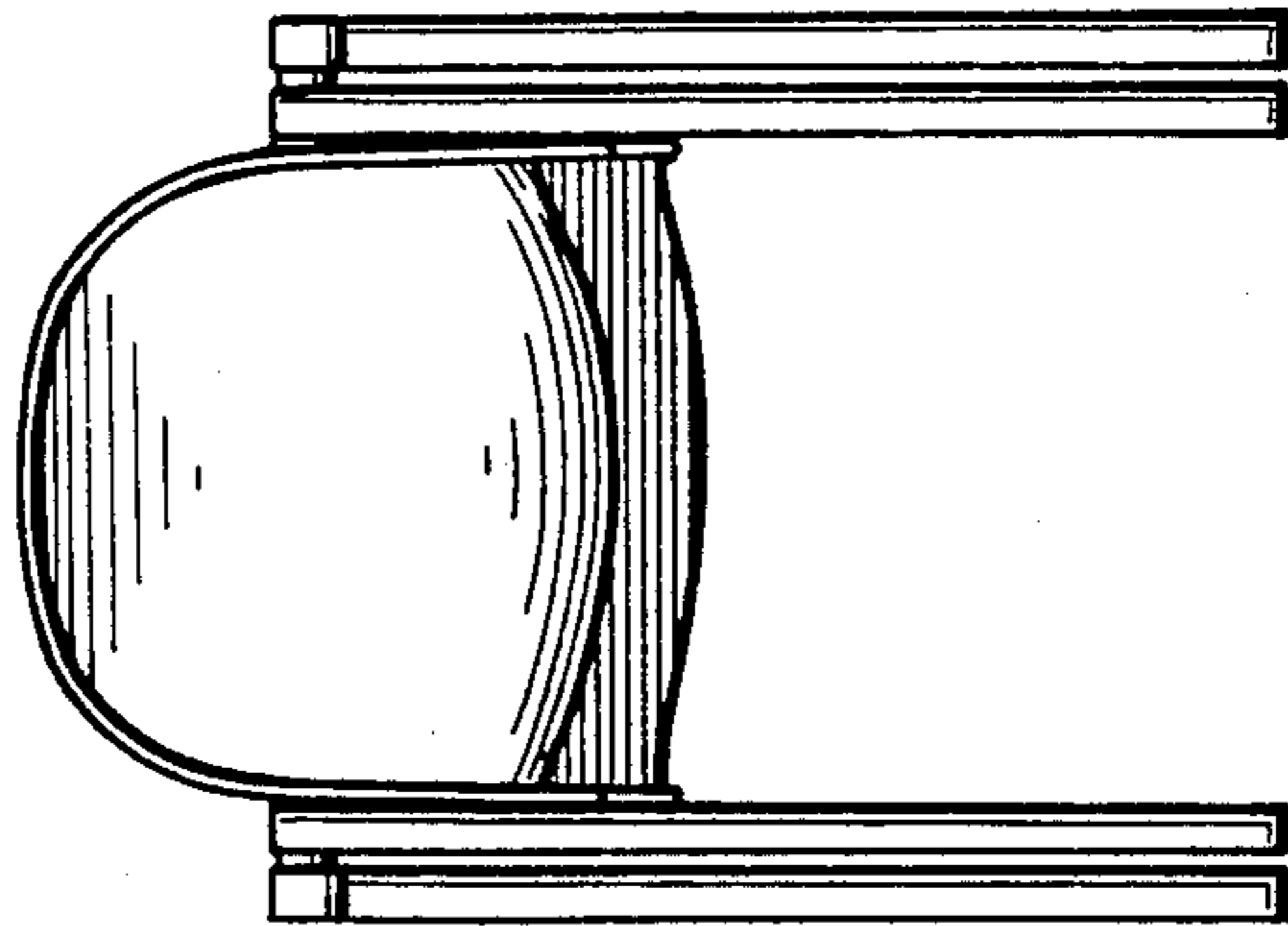


FIG. 2.

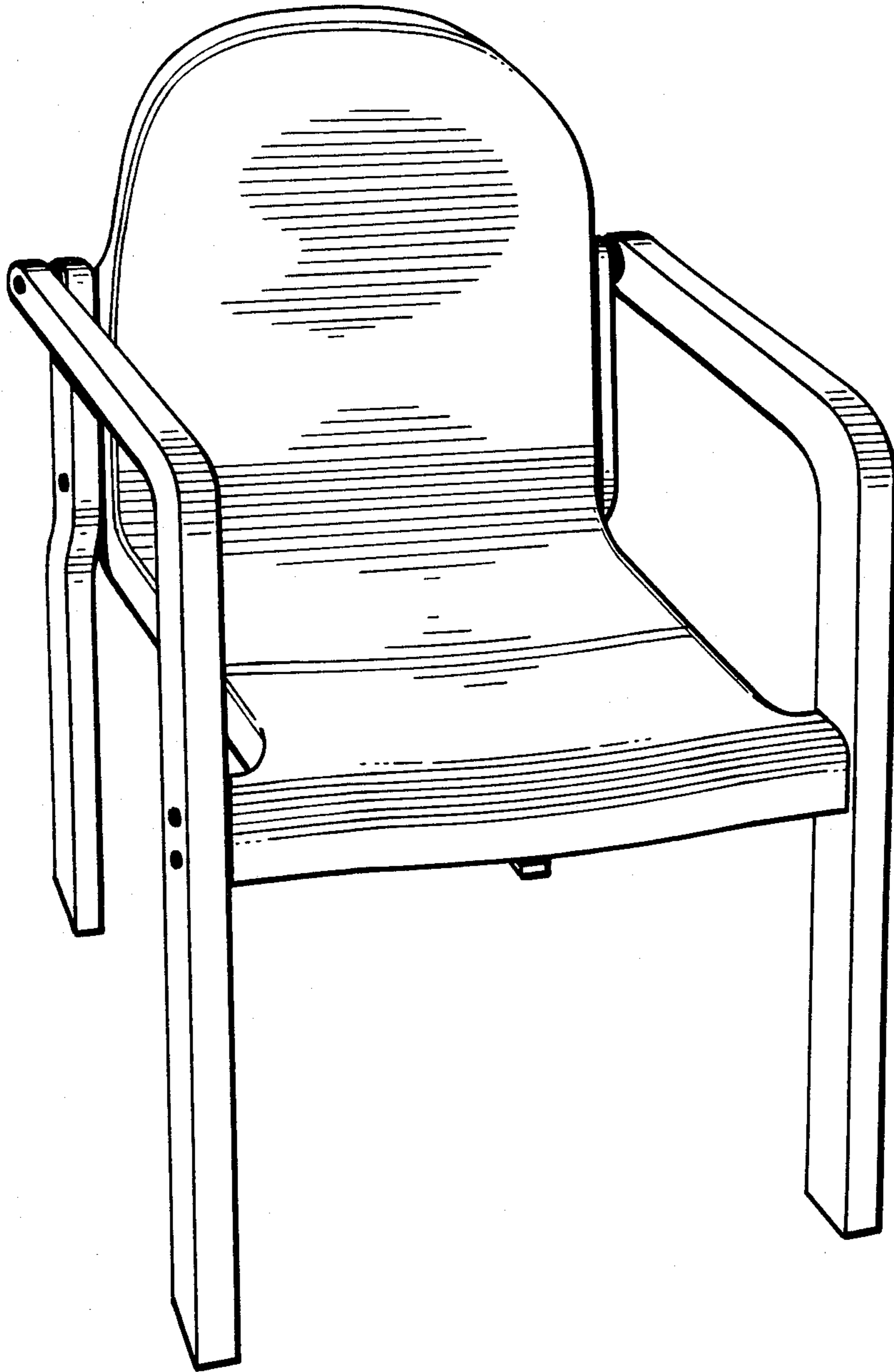


FIG. 5.