

[54] OUTBOARD MOTOR STORAGE RACK

[76] Inventor: Robert P. Catonzaro, 5221 Hazelwood Ave., Baltimore, Md. 21206

[\*\*] Term: 14 Years

[21] Appl. No.: 859,754

[22] Filed: May 5, 1986

[52] U.S. Cl. .... D34/26; D34/24

[58] Field of Search ..... 280/15, 47.24; 211/175; D34/24, 26, 12

[56] References Cited

U.S. PATENT DOCUMENTS

3,045,851	7/1962	Rupert .....	280/47.24
3,071,387	1/1963	Beaman et al. ....	280/47.24
4,737,065	4/1988	Ju .....	280/47.24
4,793,623	12/1988	Talbot .....	280/47.24

FOREIGN PATENT DOCUMENTS

1167794 10/1969 United Kingdom ..... 280/47.24

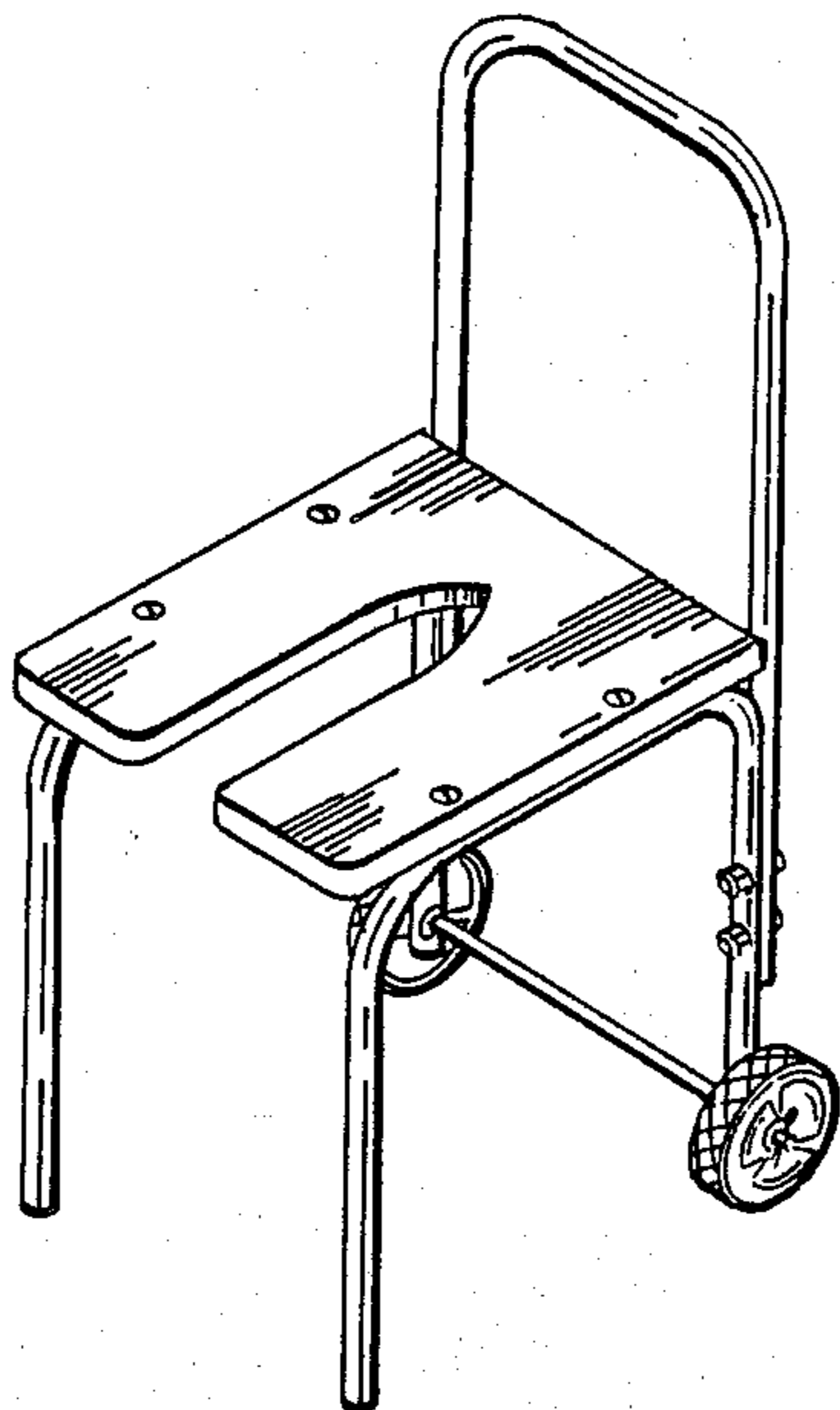
Primary Examiner—Wallace R. Burke  
Assistant Examiner—Kay H. Chin  
Attorney, Agent, or Firm—JoAnne S. Beery

[57] CLAIM

The ornamental design for an outboard motor storage rack, as shown and described.

DESCRIPTION

FIG. 1 is as front perspective view of an outboard motor storage rack showing my new design; FIG. 2 is a rear view thereof; FIG. 3 is a top plan view; FIG. 4 is a bottom plan view; FIG. 5 is a front elevational view; and FIG. 6 is a rear elevational view.



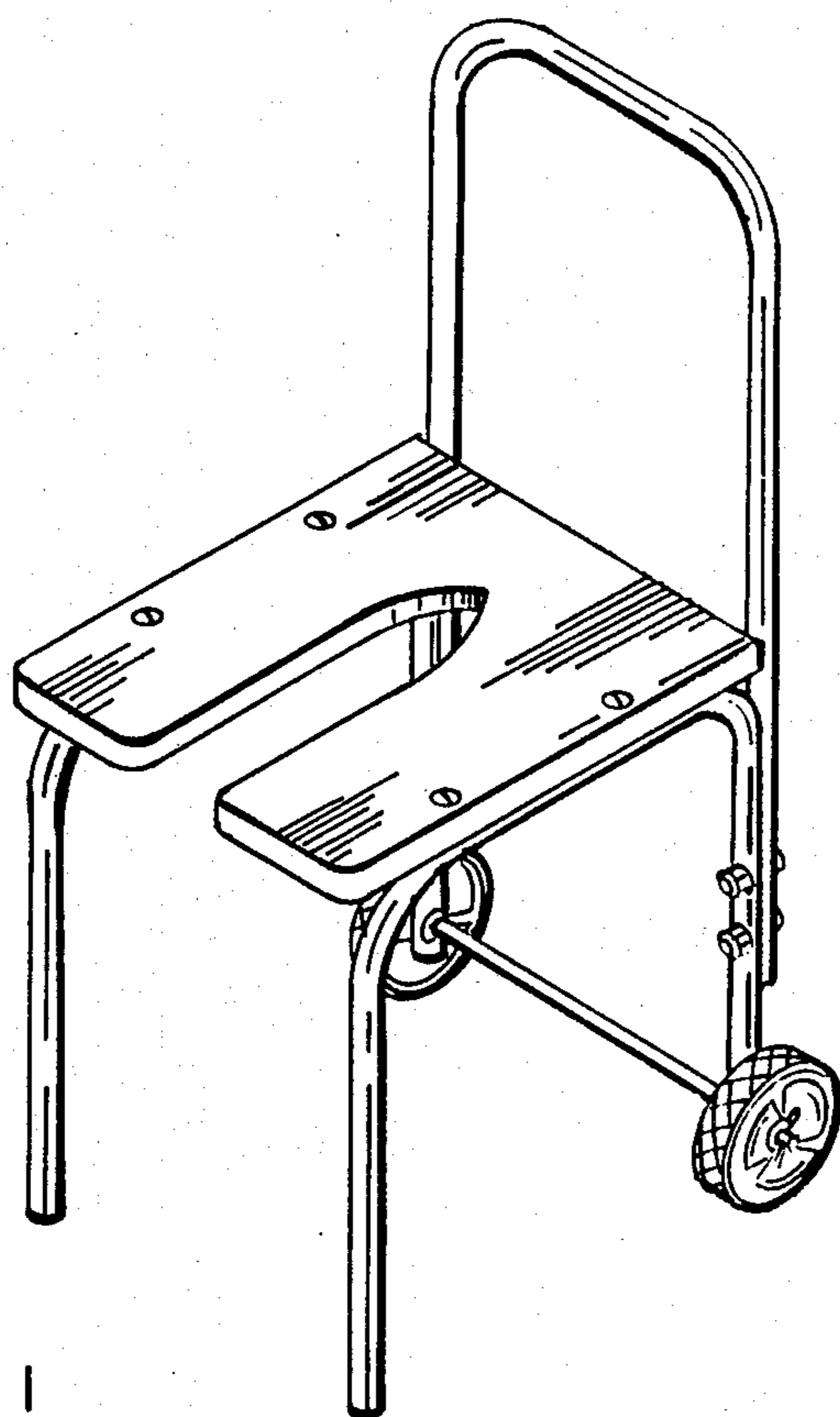


FIG. 1

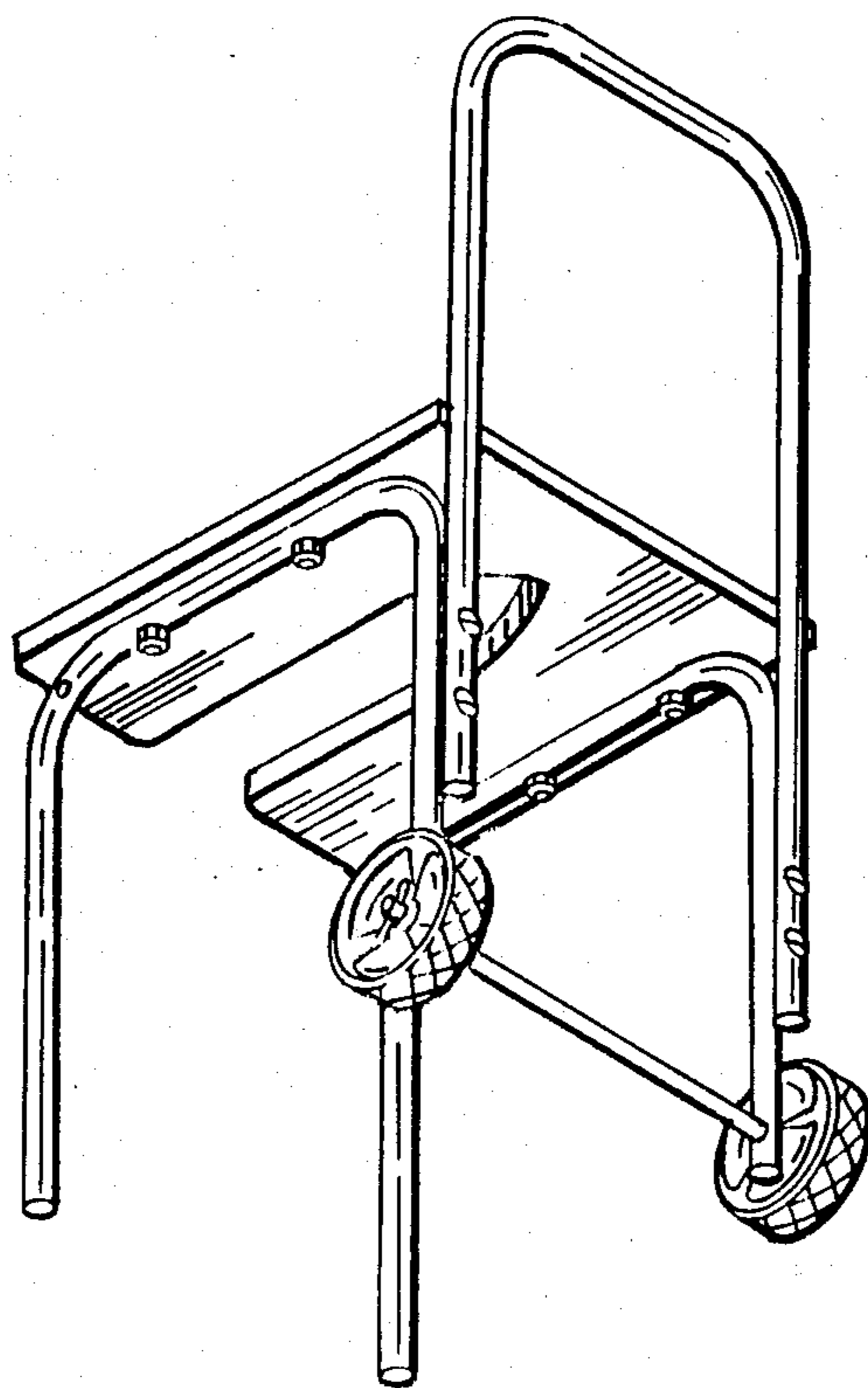


FIG. 2

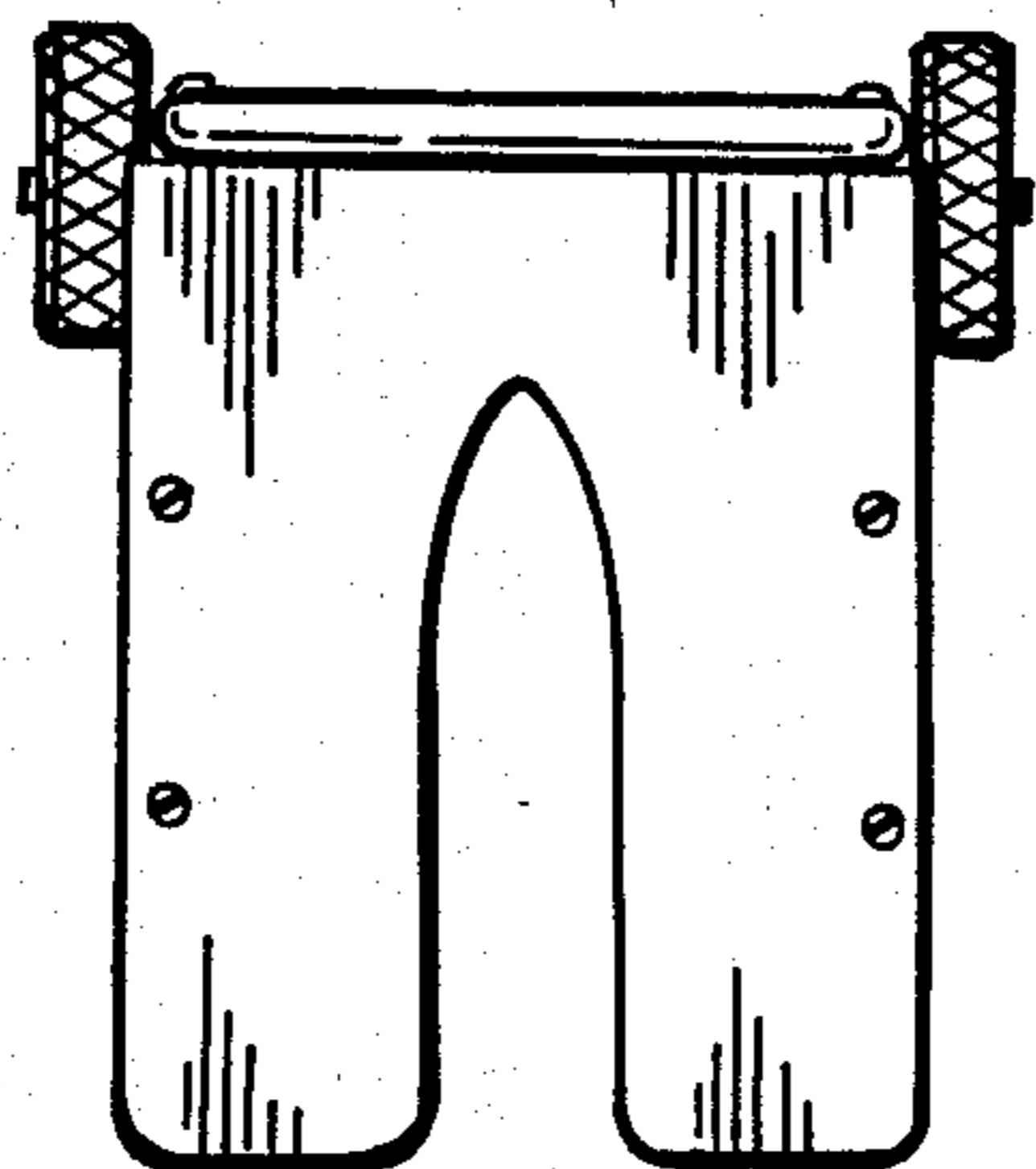


FIG. 3

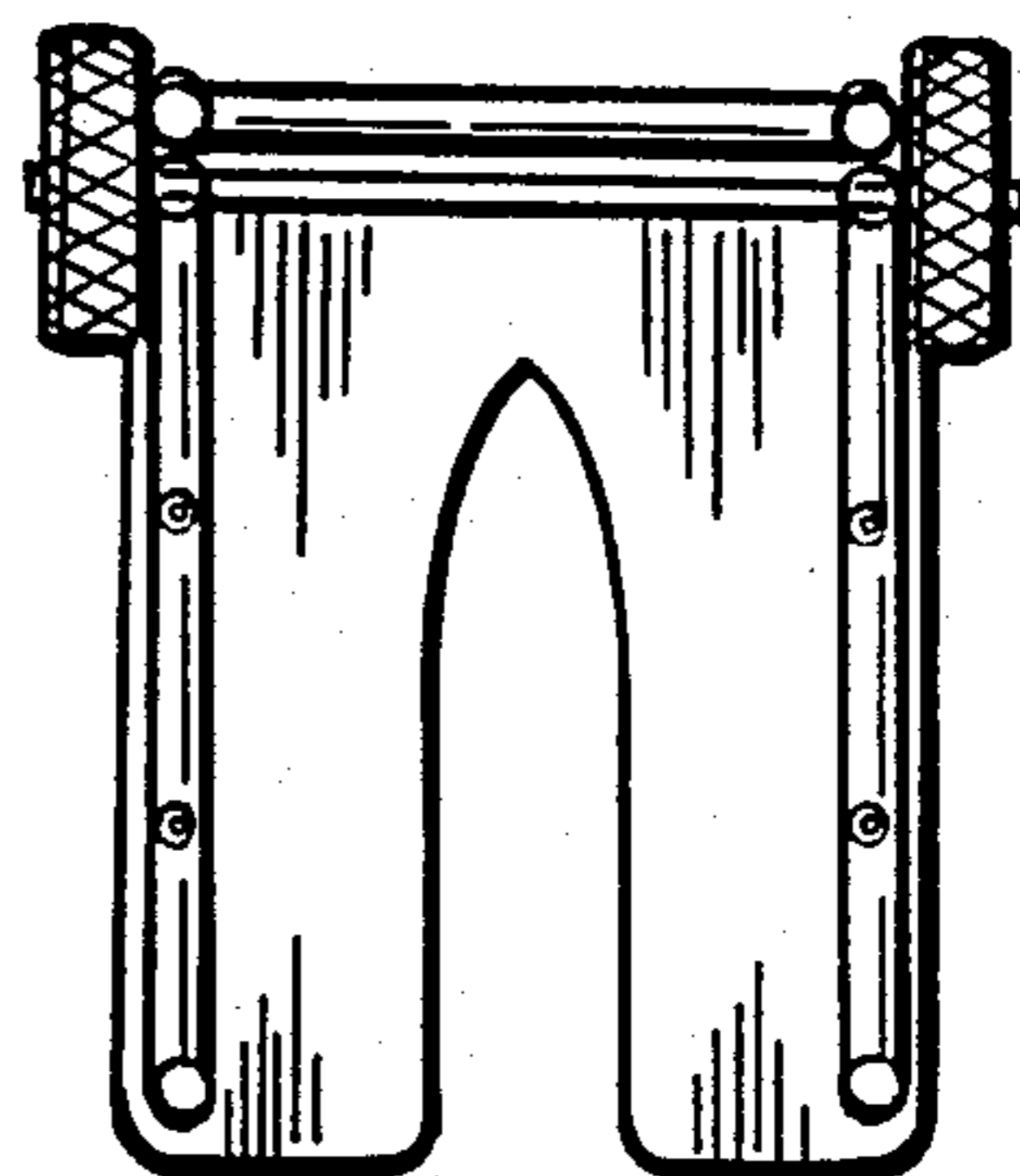


FIG. 4

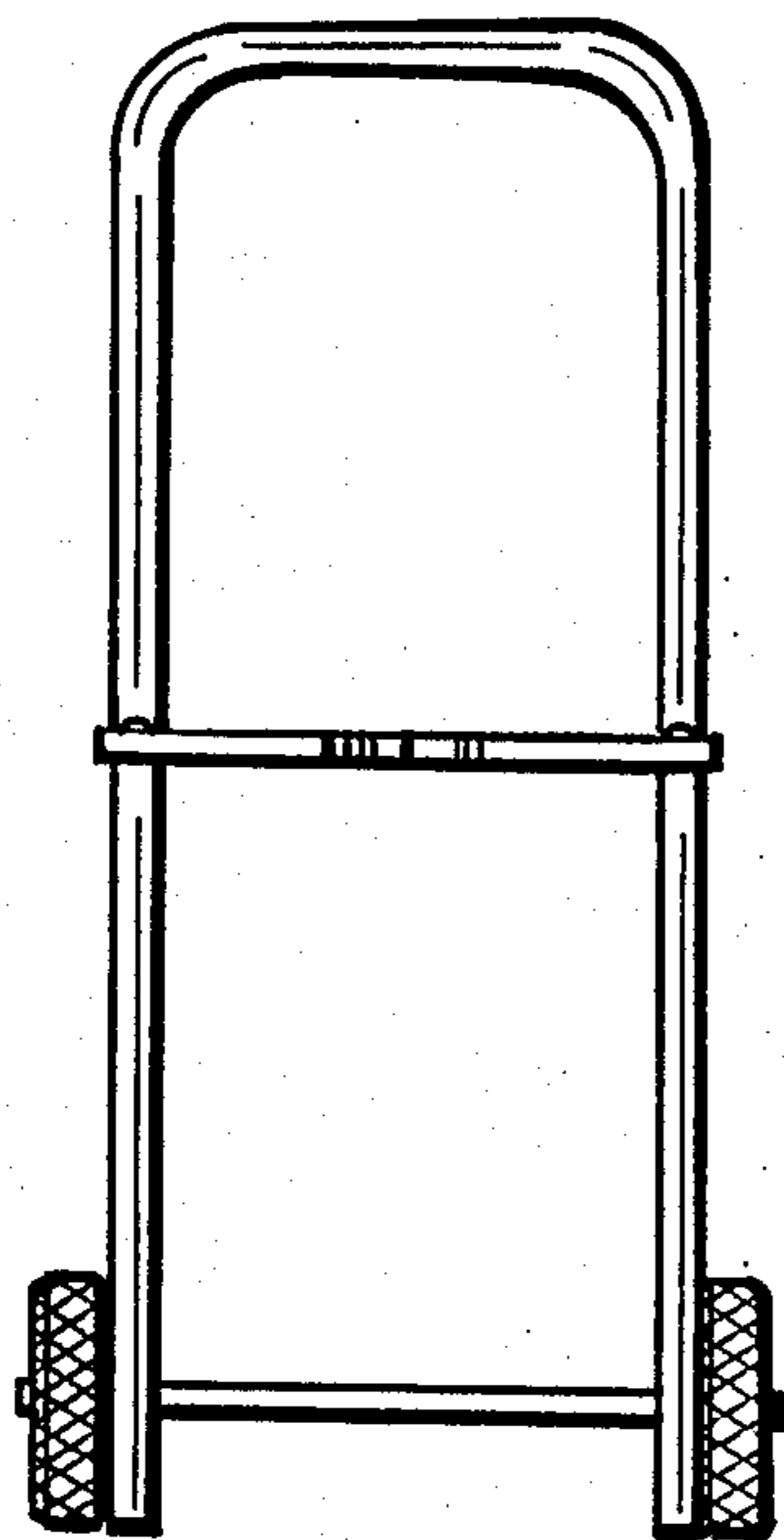


FIG. 5

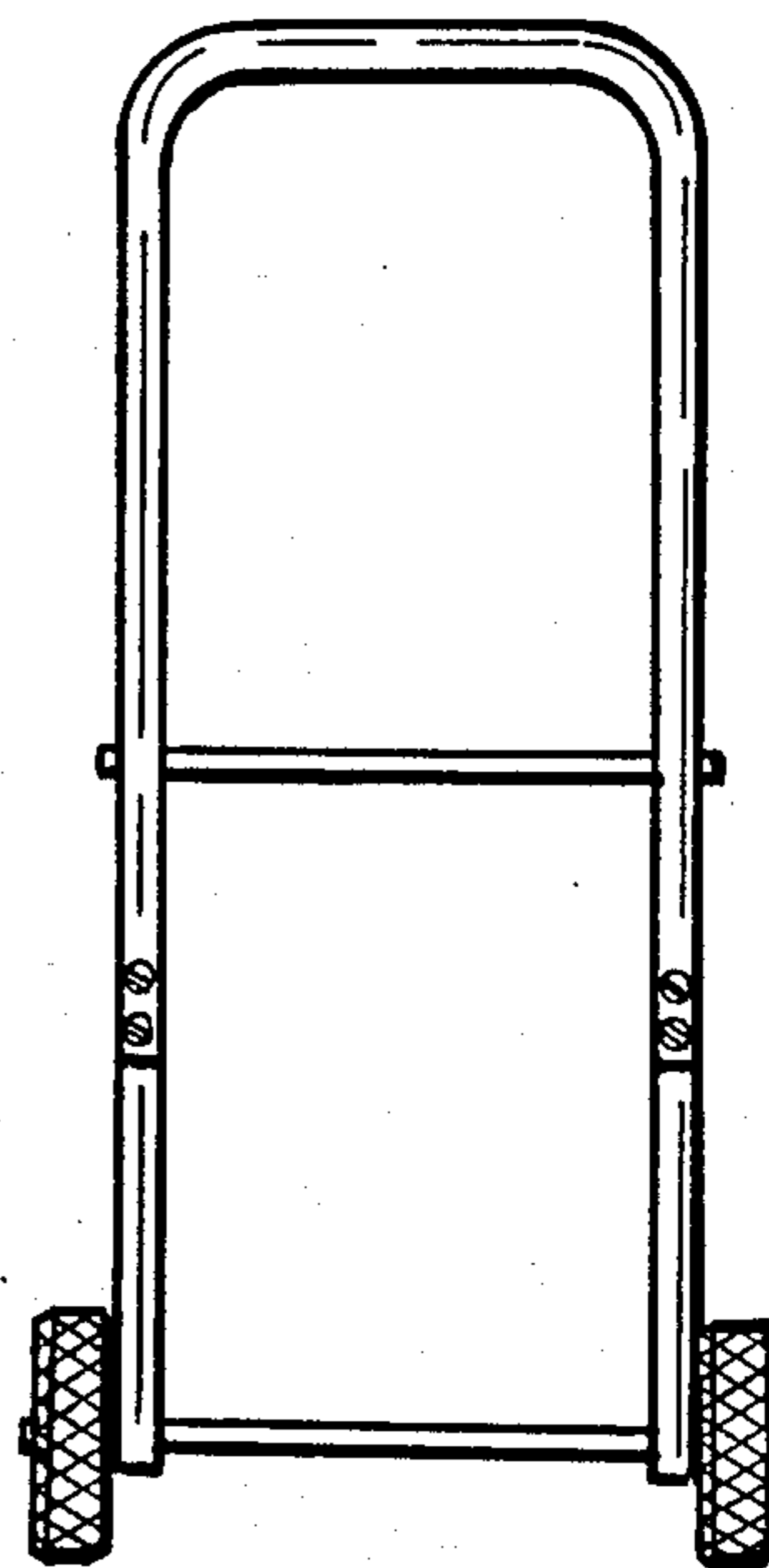


FIG. 6