

[54] GOLF CART WITH ODOMETER

4,657,100 4/1987 Lewis 180/19.1

[76] Inventor: Norman Hartmann, 4015 Arthur, Brookfield, Ill. 60513

FOREIGN PATENT DOCUMENTS

2579108 9/1986 France 248/96

[**] Term: 14 Years

Primary Examiner—Wallace R. Burke
Assistant Examiner—Kay H. Chin
Attorney, Agent, or Firm—Terry M. Gernstein

[21] Appl. No.: 888,987

[22] Filed: Jul. 24, 1986

[52] U.S. Cl. D34/15

[58] Field of Search D34/15, 12, 18;
280/DIG. 5, DIG. 6, 62, 646; 180/11, 19.3,
19.1, 19.2, 65.6; 248/96

[57] CLAIM

The ornamental design for a golf cart with odometer, as shown and described.

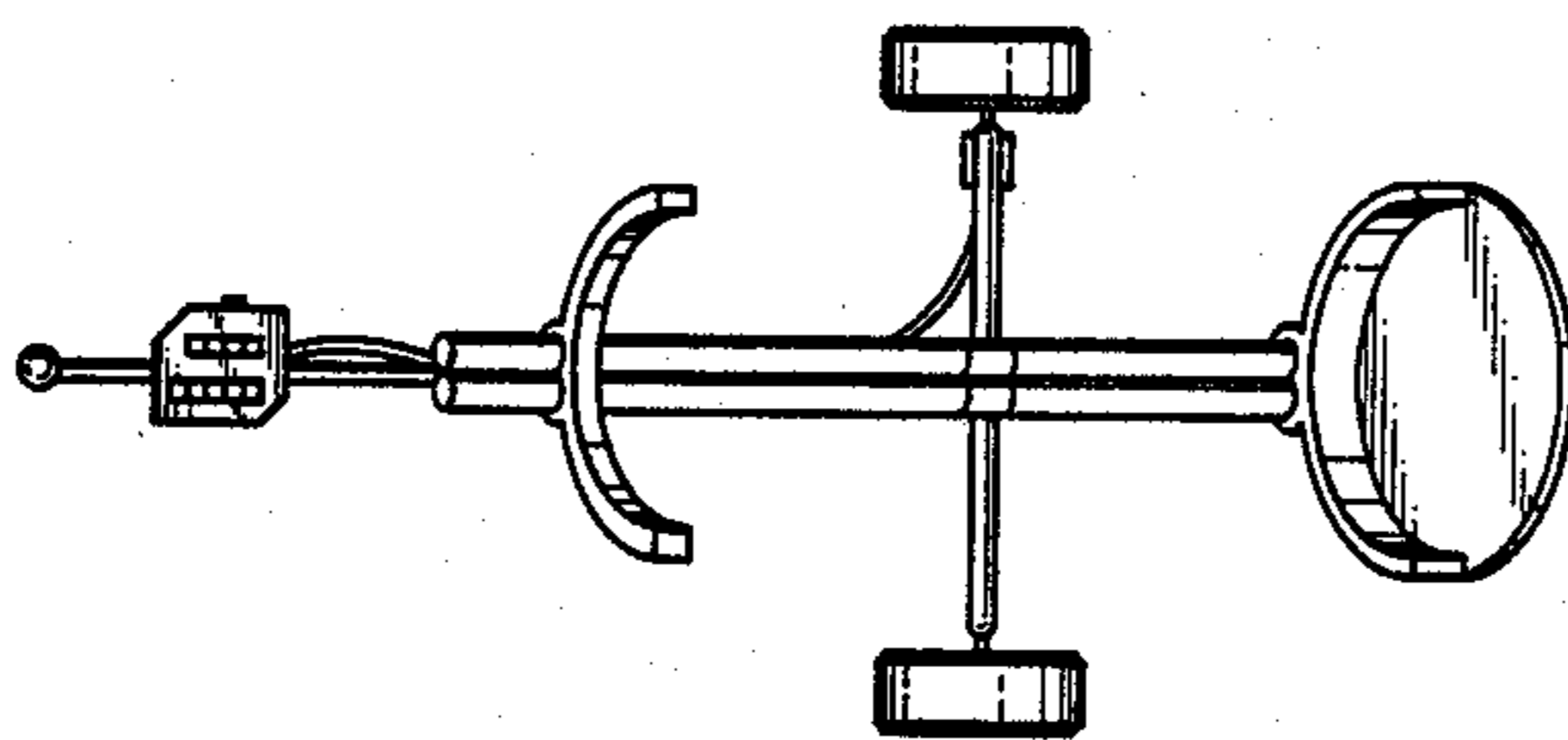
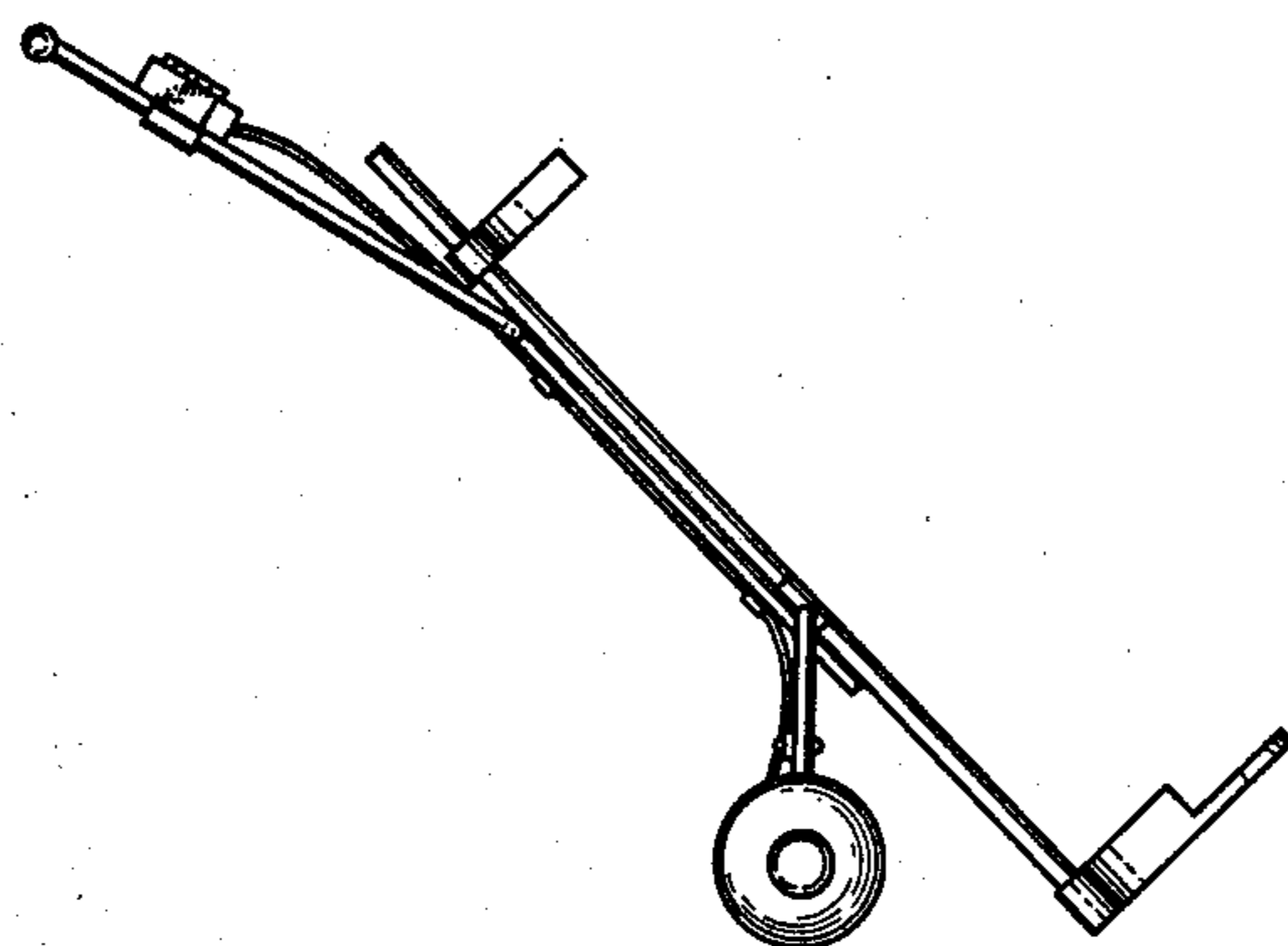
[56] References Cited

U.S. PATENT DOCUMENTS

D. 292,038 9/1987 Hsteh D34/15
3,820,617 6/1974 Groff 280/DIG. 5
3,867,993 2/1975 Lizuka 280/DIG. 5

DESCRIPTION

FIG. 1 is a side elevational view of a golf cart with odometer showing my new design, the opposite side elevational view being a mirror image of that shown; FIG. 2 is a top plan view thereof; FIG. 3 is a rear elevation view thereof; FIG. 4 is a front elevation view thereof.



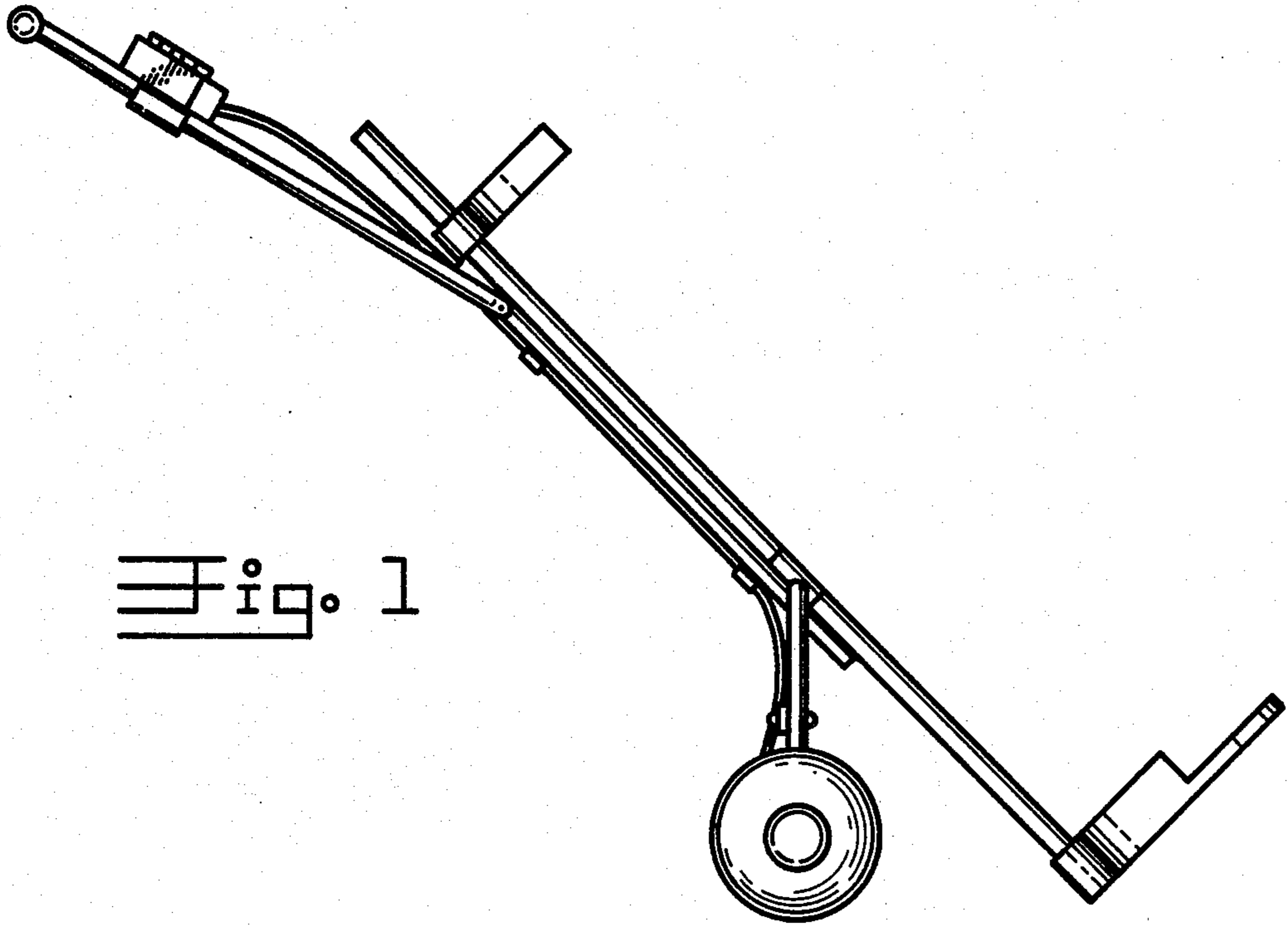


Fig. 1

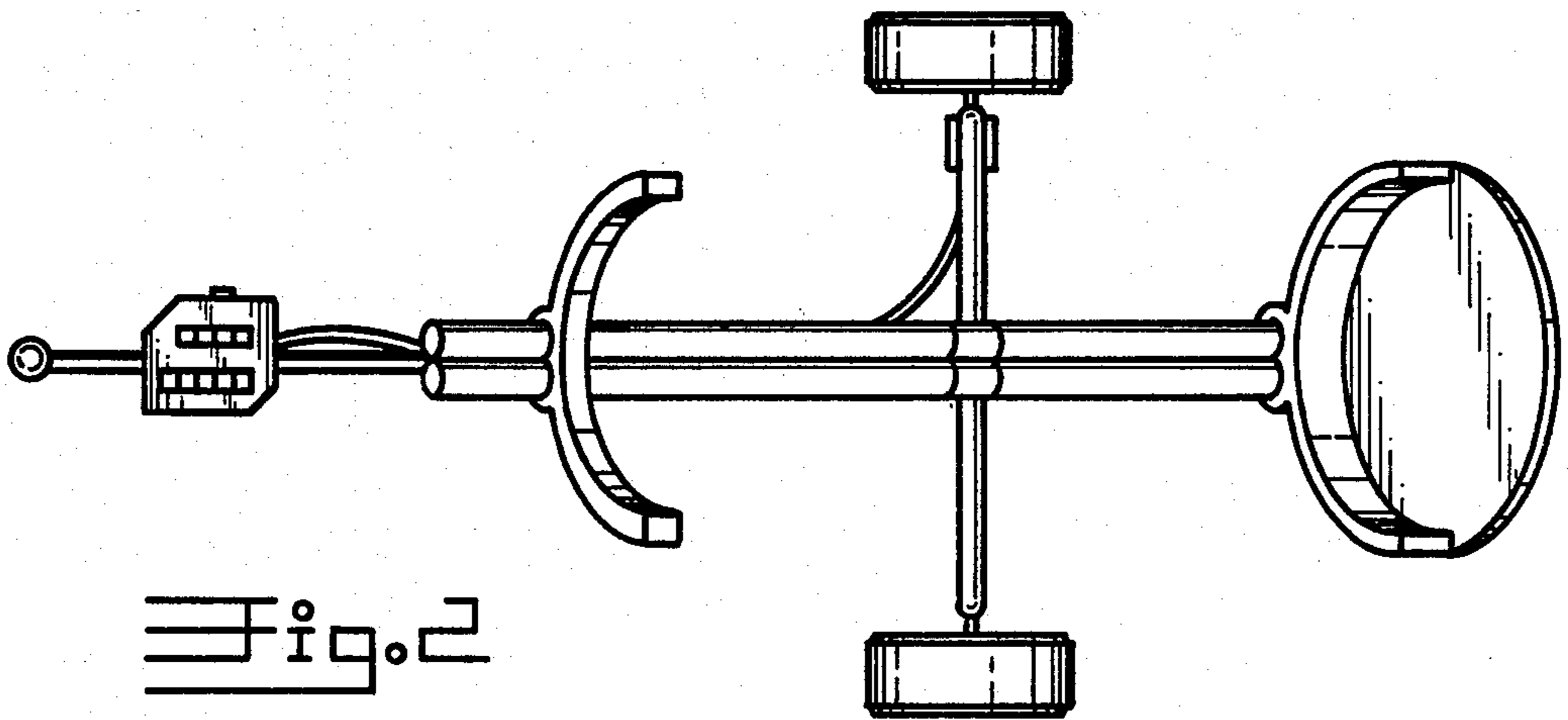


Fig. 2

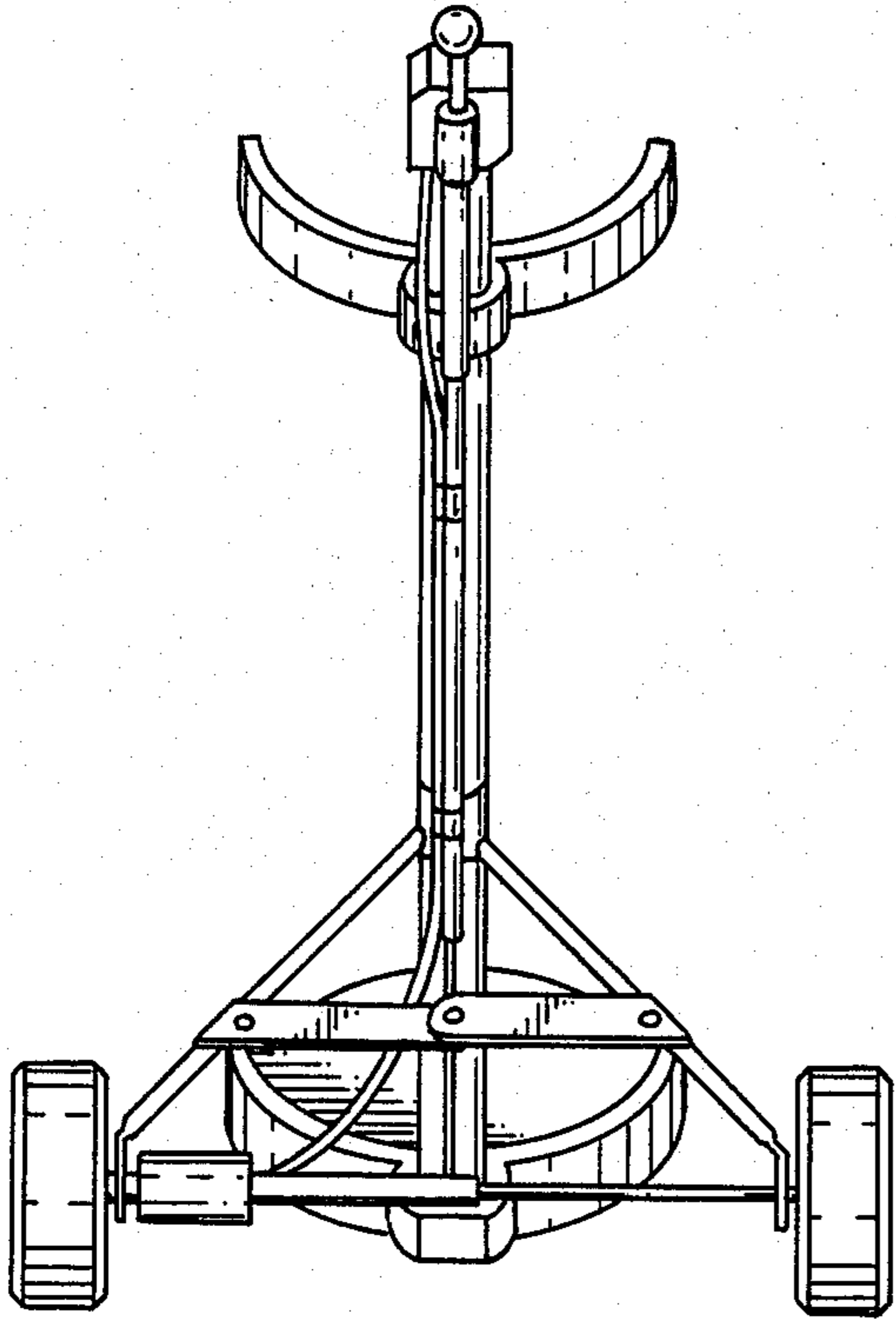


Fig. 3

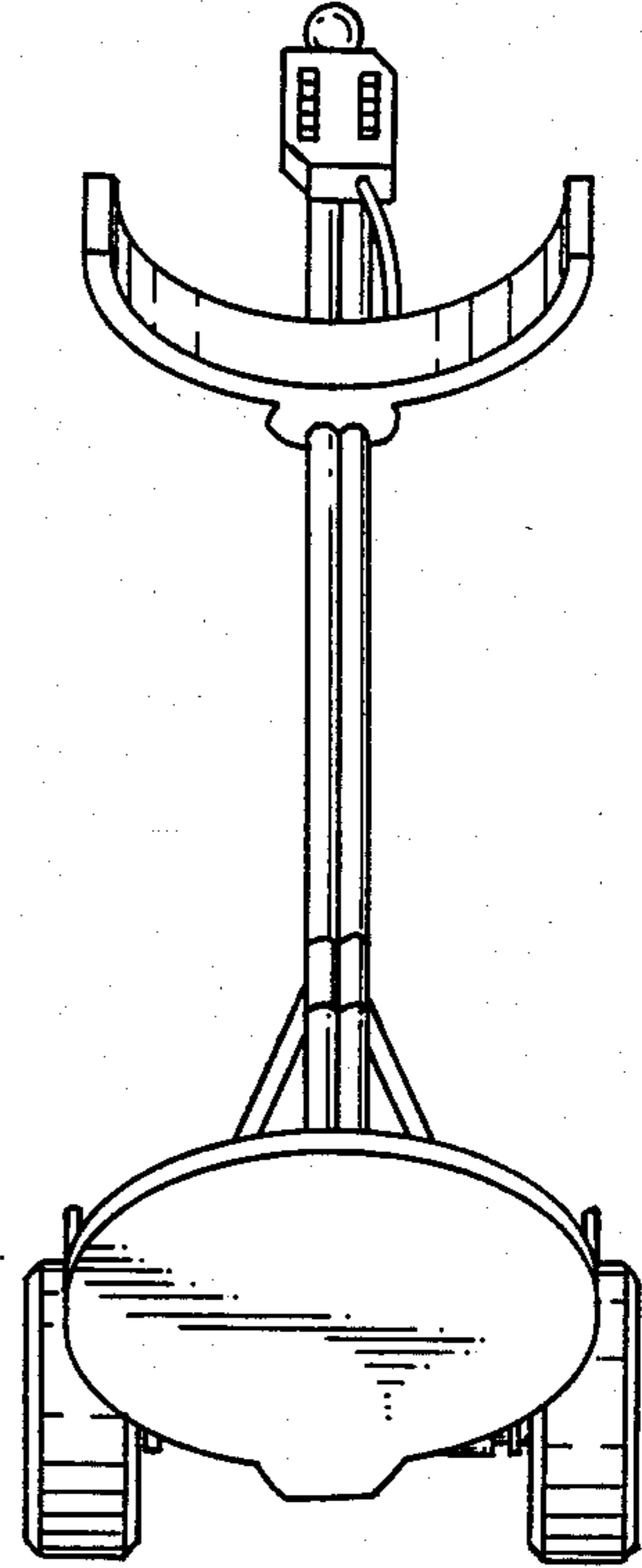


Fig. 4