

[54] SPRAY GUN CLEANING DEVICE

[76] Inventor: Leif E. Stern, Fattershus, S-225 90 Lund, Sweden

[\*\*] Term: 14 Years

[21] Appl. No.: 887,432

[22] Filed: Jul. 21, 1986

[30] Foreign Application Priority Data

Jan. 20, 1986 [SE]	Sweden .....	86-0116
[52] U.S. Cl. ....		D32/1
[58] Field of Search .....		D32/1-2, D32/5, 30, 21; 134/166 R, 166 C, 167 R, 167 C, 168 C, 169 C, 102, 104

[56] References Cited  
PUBLICATIONS

Industrial Equipment News, 10/1984, p. 43, "Pressure Washer".

Industrial Equipment News, 10/1984, p. 66, "Spartan Steam Cleaner/Hot Pressure Washer".

Primary Examiner—Bruce W. Dunkins

Assistant Examiner—Ruth Takemoto

Attorney, Agent, or Firm—Bacon & Thomas

[57] CLAIM

The ornamental design for a spray gun cleaning device, as shown and described.

DESCRIPTION

FIG. 1 is a perspective view of a spray gun cleaning device showing my new design;

FIG. 2 is a right side elevational view thereof;

FIG. 3 is a left side elevational view thereof;

FIG. 4 is a top plan view thereof;

FIG. 5 is a bottom plan view thereof;

FIG. 6 is a front elevational view thereof; and

FIG. 7 is a rear elevational view thereof.

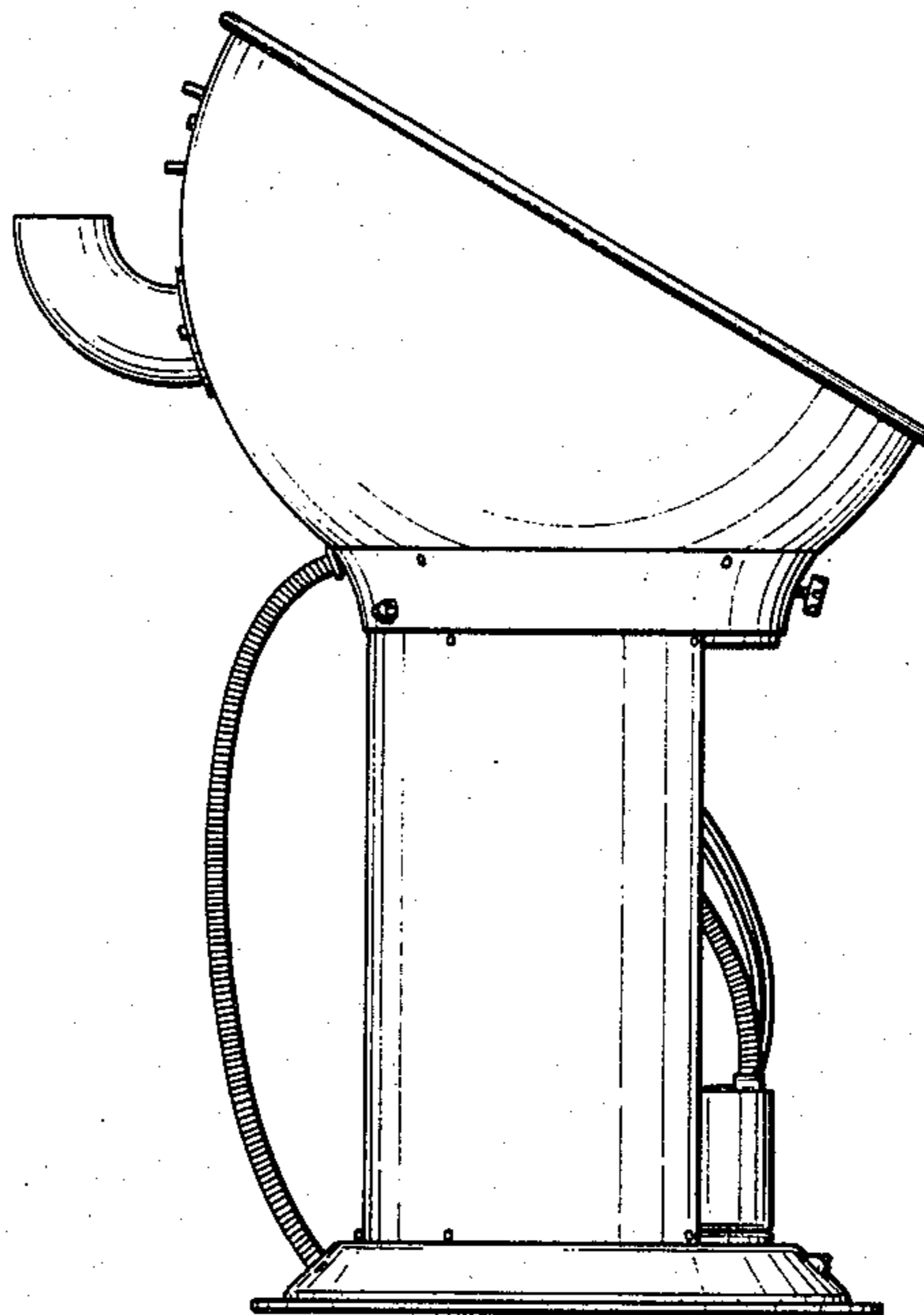
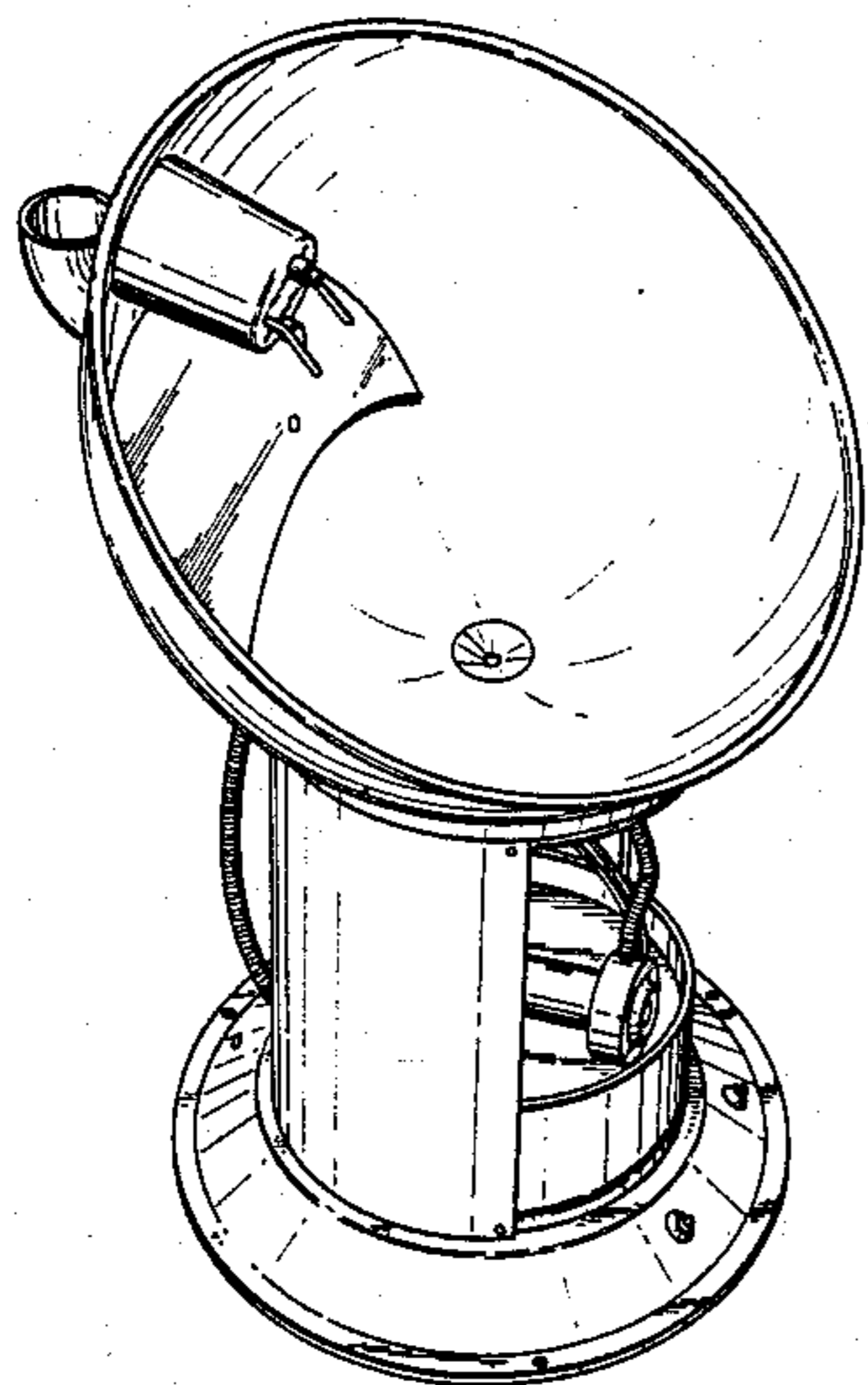


Fig. 1

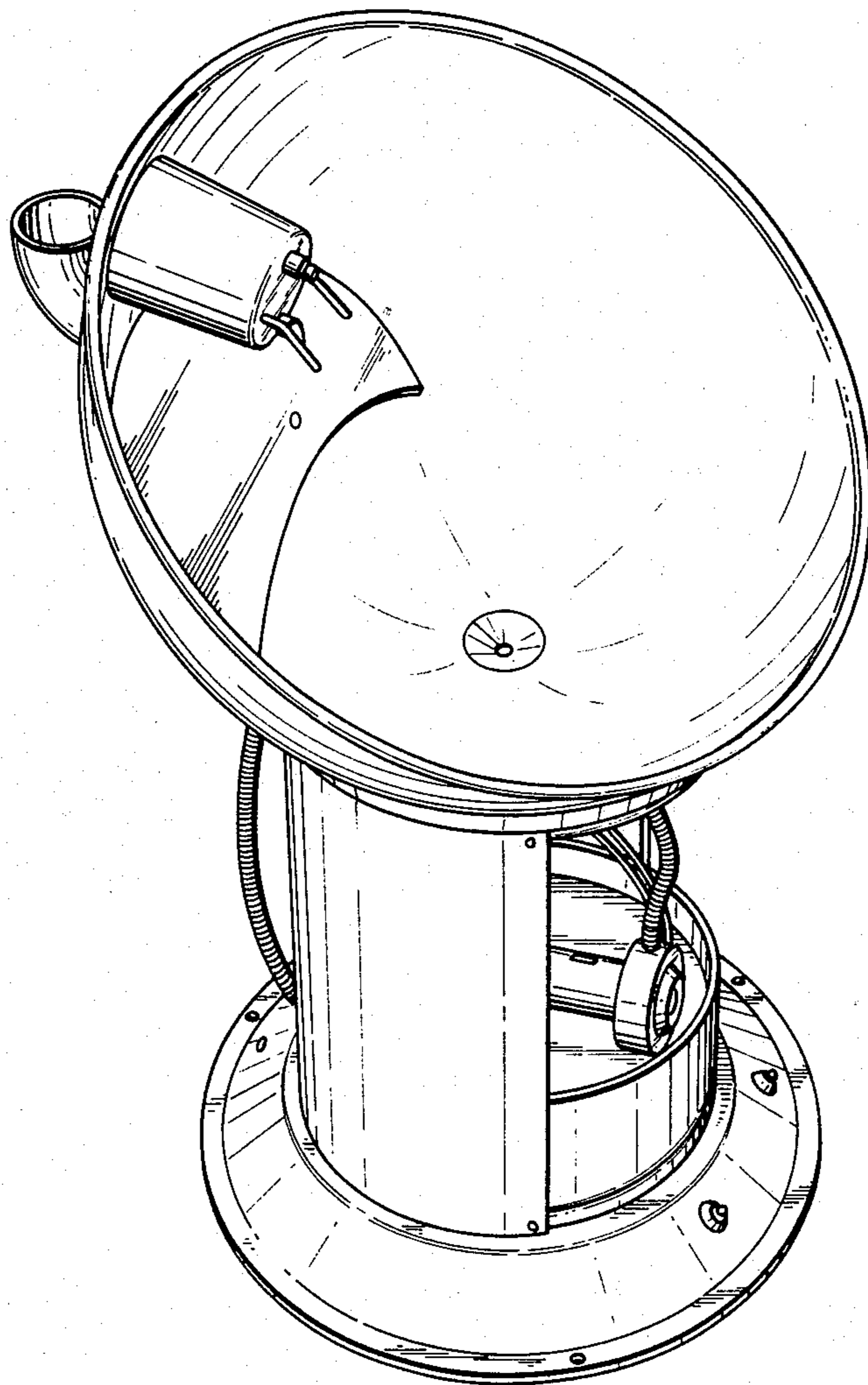


Fig. 2

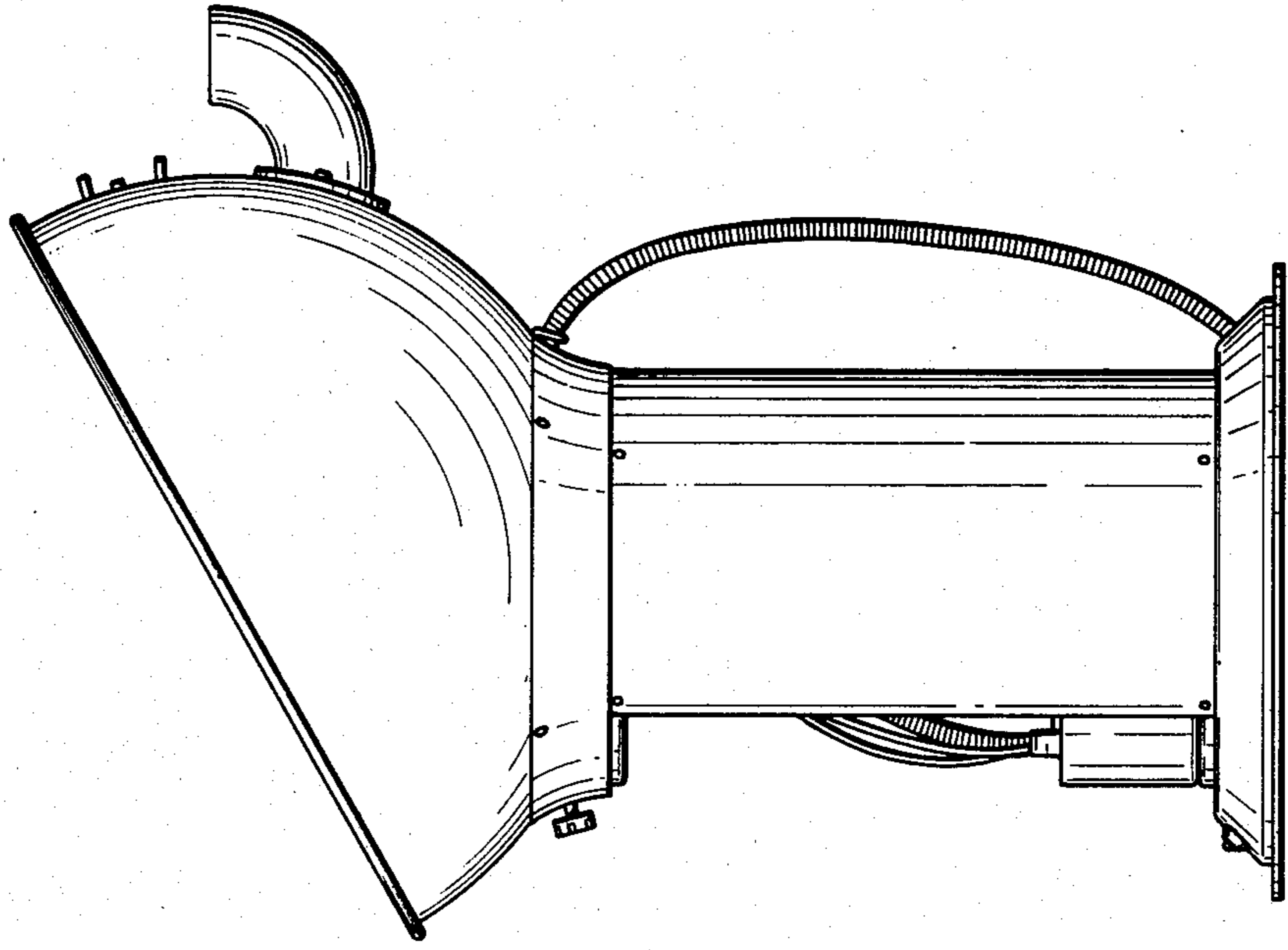


Fig. 6

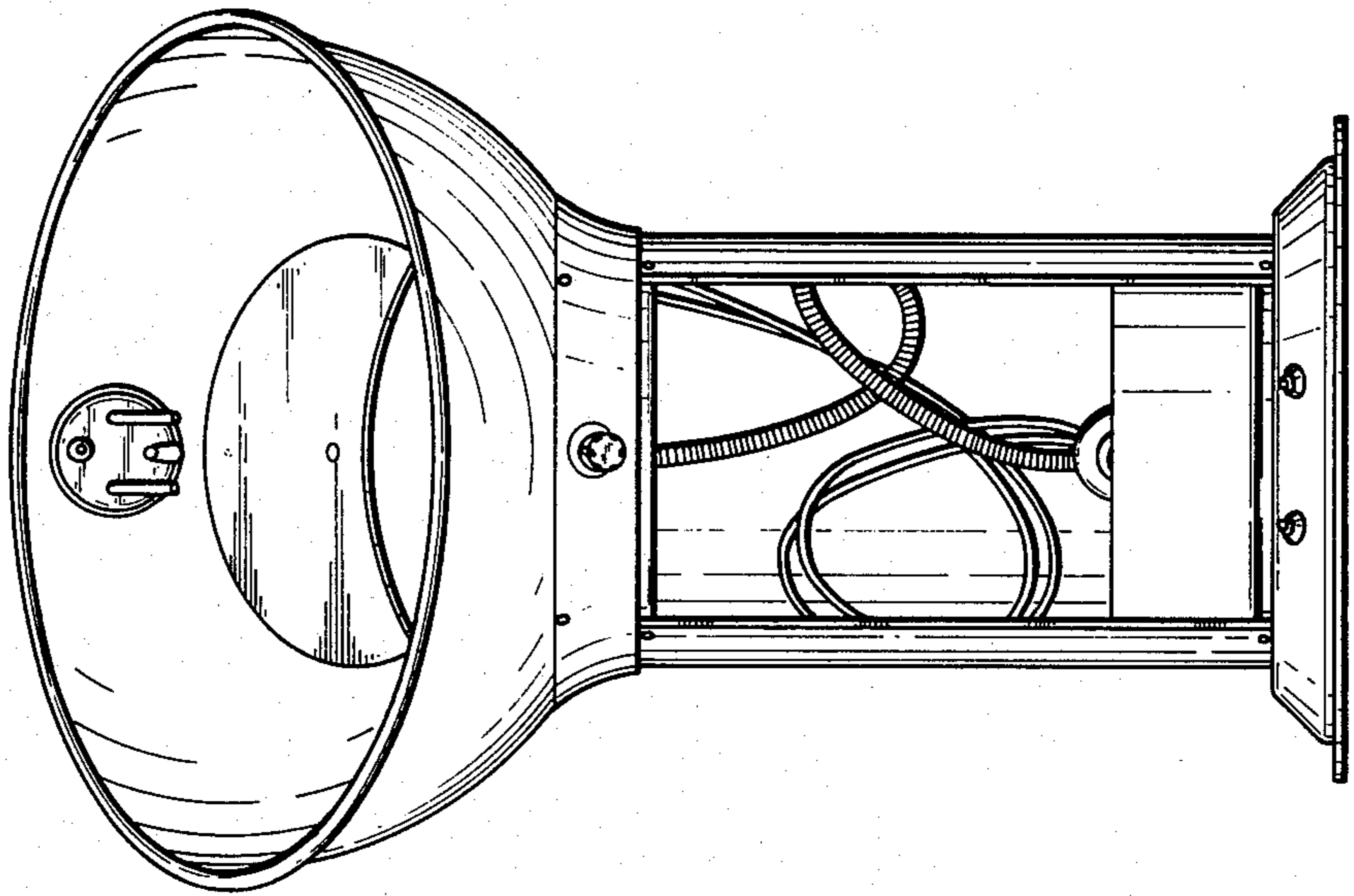


Fig. 3

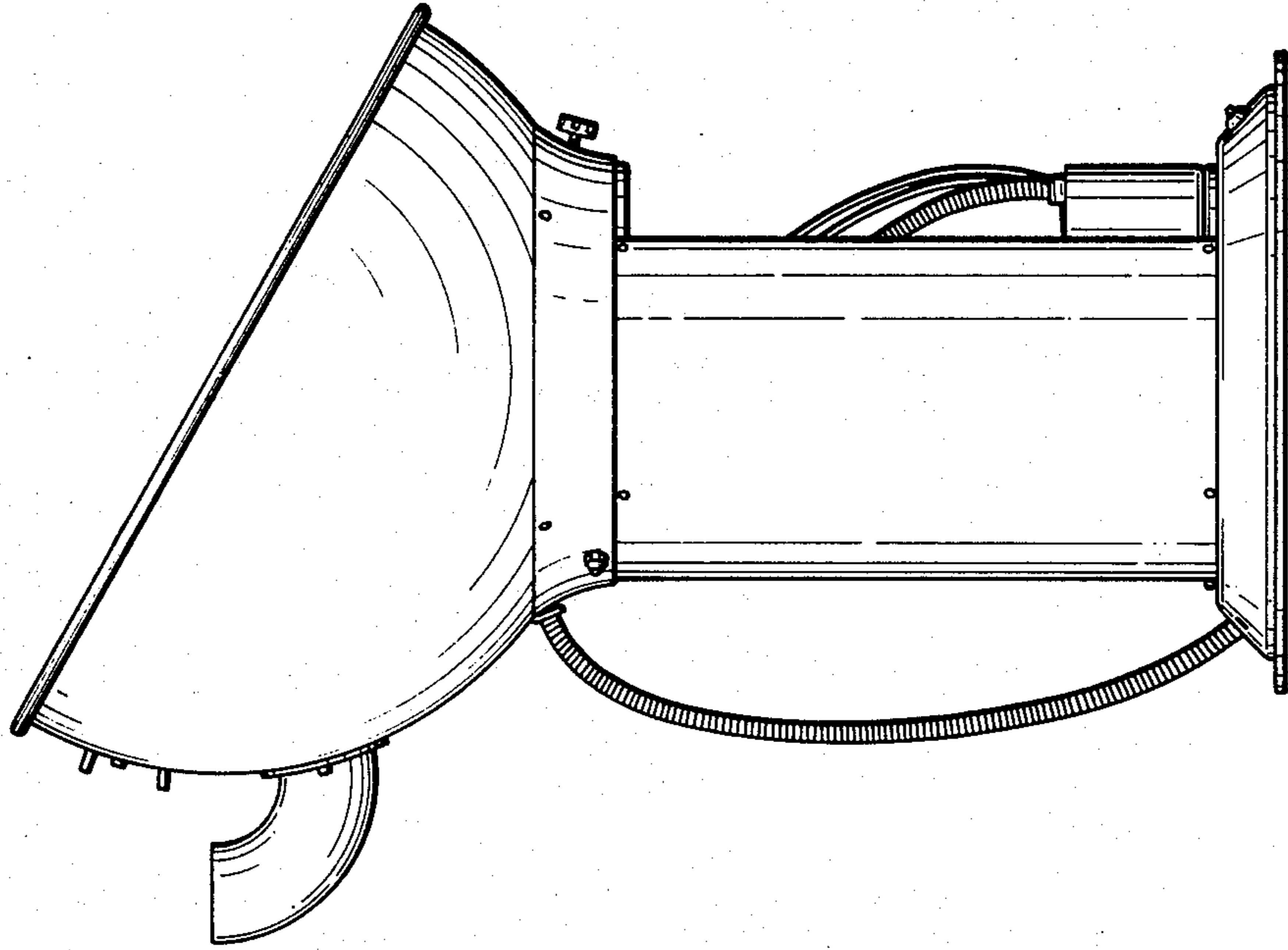


Fig. 7

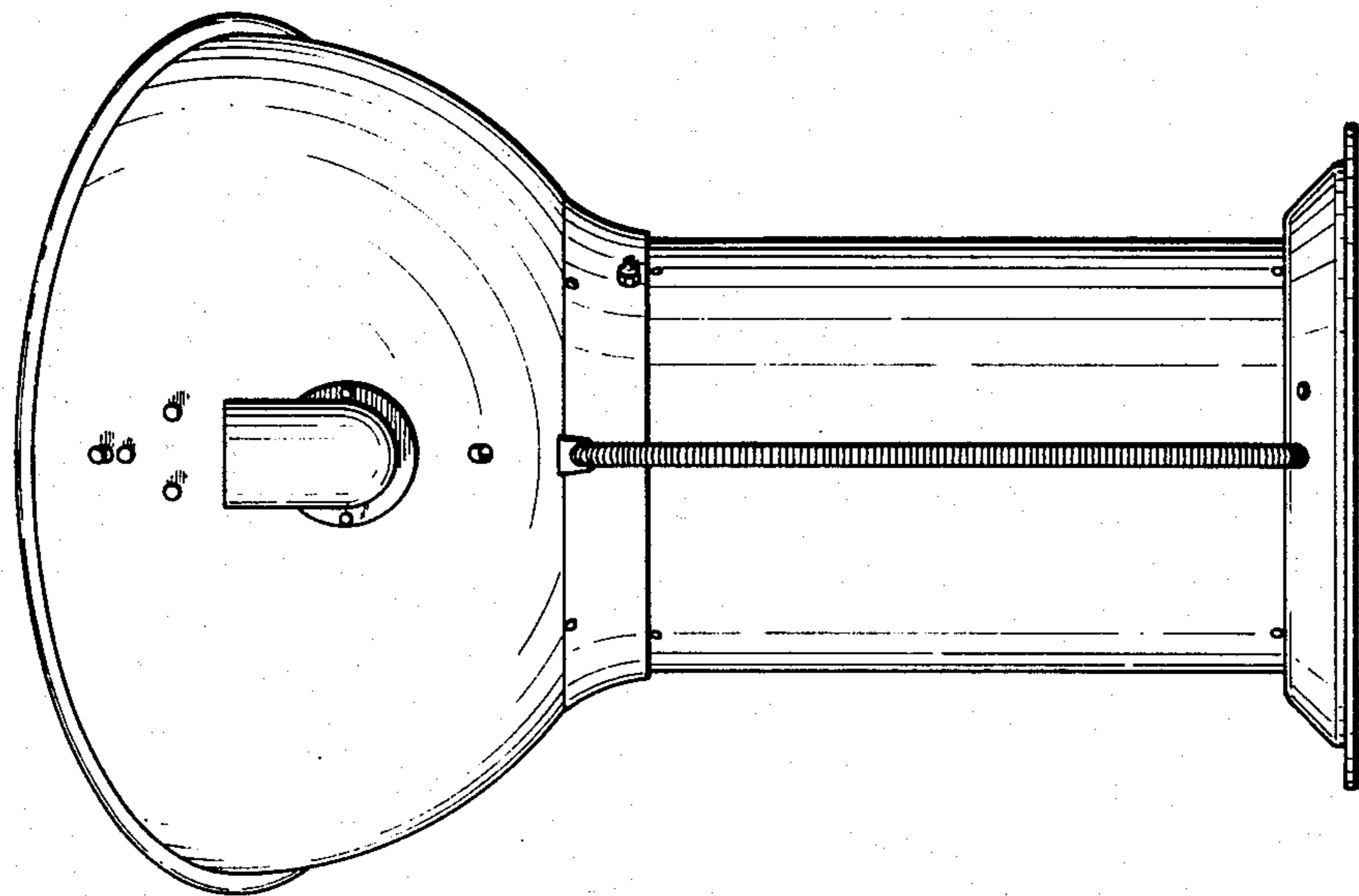




Fig. 4

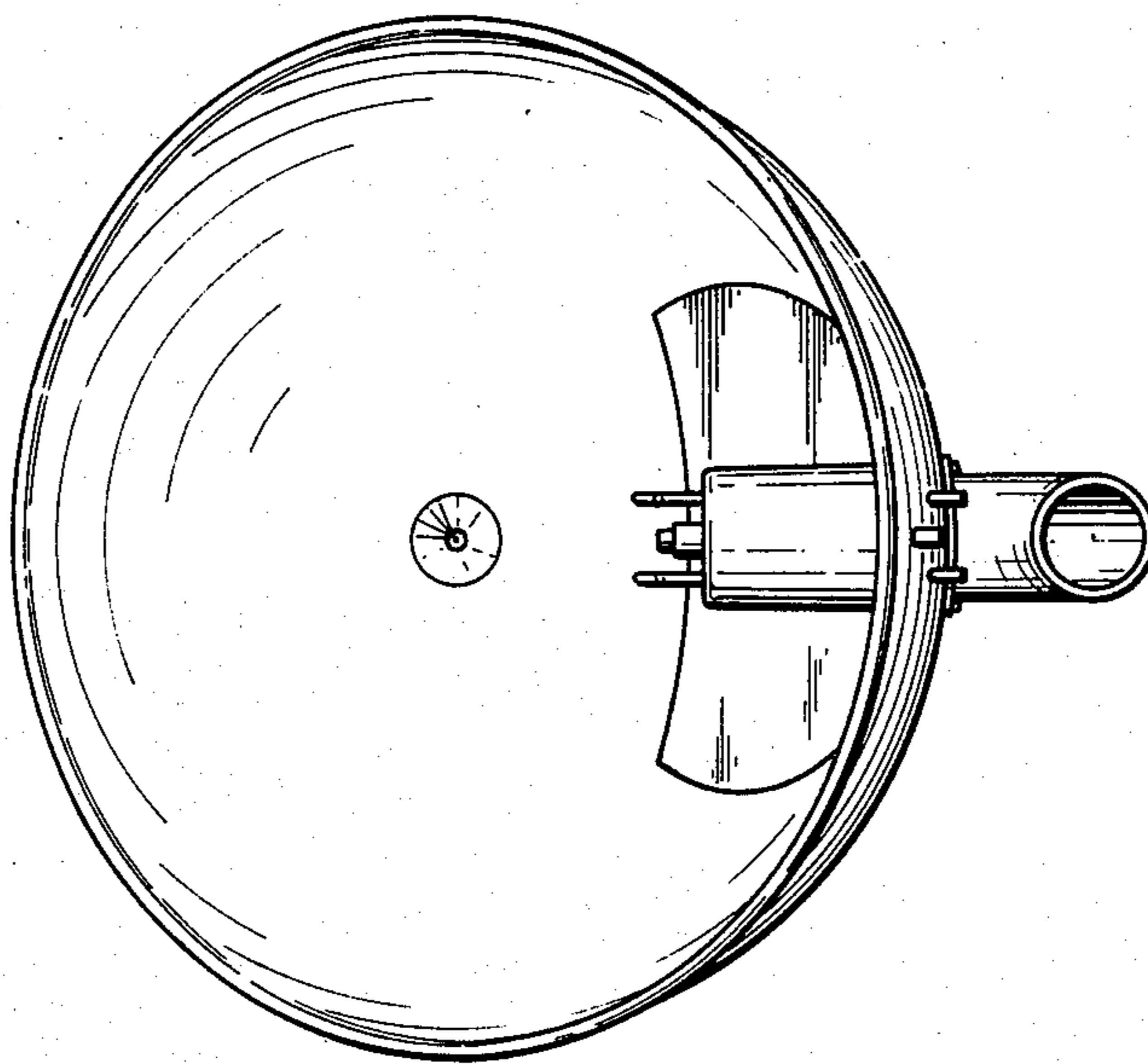


Fig. 5

