

[54] PROTECTIVE PAD FOR A SEAT BELT

[76] Inventors: Gerald A. Krebs; Mary B. J. Krebs,
both of 3725 Potomac St.,
Groveport, Ohio 43125

[**] Term: 14 Years

[21] Appl. No.: 878,495

[22] Filed: Jun. 25, 1986

[52] U.S. Cl. D29/10

[58] Field of Search D29/10, 99; D6/601,
D6/596; 224/224

[56] References Cited

U.S. PATENT DOCUMENTS

D. 190,794 7/1961 Anson D6/601

D. 216,689 3/1970 Isogai D6/601 X
D. 241,298 9/1976 Kirby D6/596
D. 245,137 7/1977 Benn D6/596
3,229,694 1/1966 Koropp D29/10 X
4,804,121 2/1989 Stanton et al. 224/224 X

Primary Examiner—Carmen H. Vales-Lado
Attorney, Agent, or Firm—Terry M. Gernstein

[57] CLAIM

The ornamental design for a protective pad for a seat belt, as shown and described.

DESCRIPTION

FIG. 1 is a perspective view of a protective pad for a seat belt showing our new design;
FIG. 2 is a top plan view in extended condition;
FIG. 3 is a bottom plan view thereof; and
FIG. 4 is a front elevational view thereof.

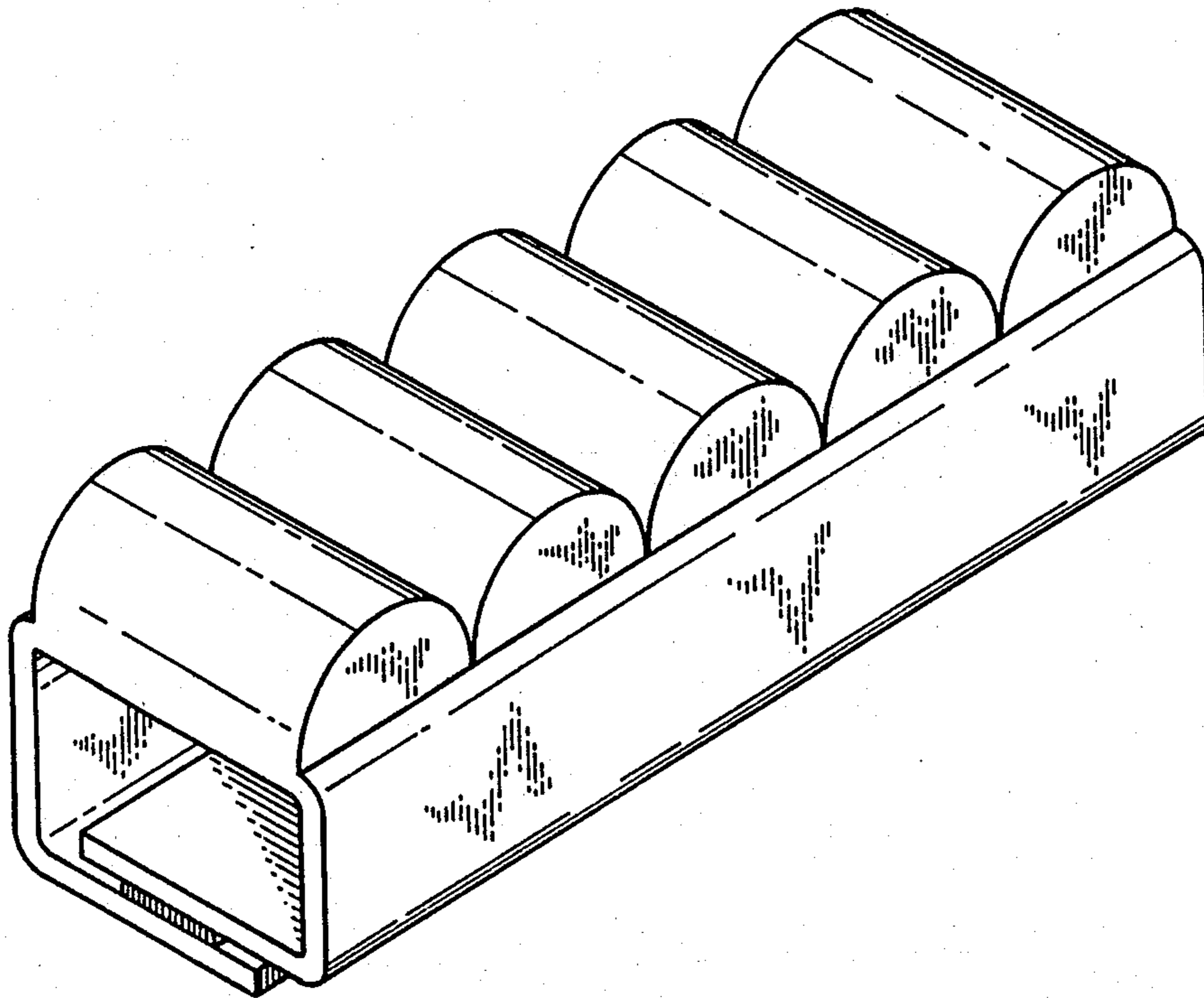


Fig. 1

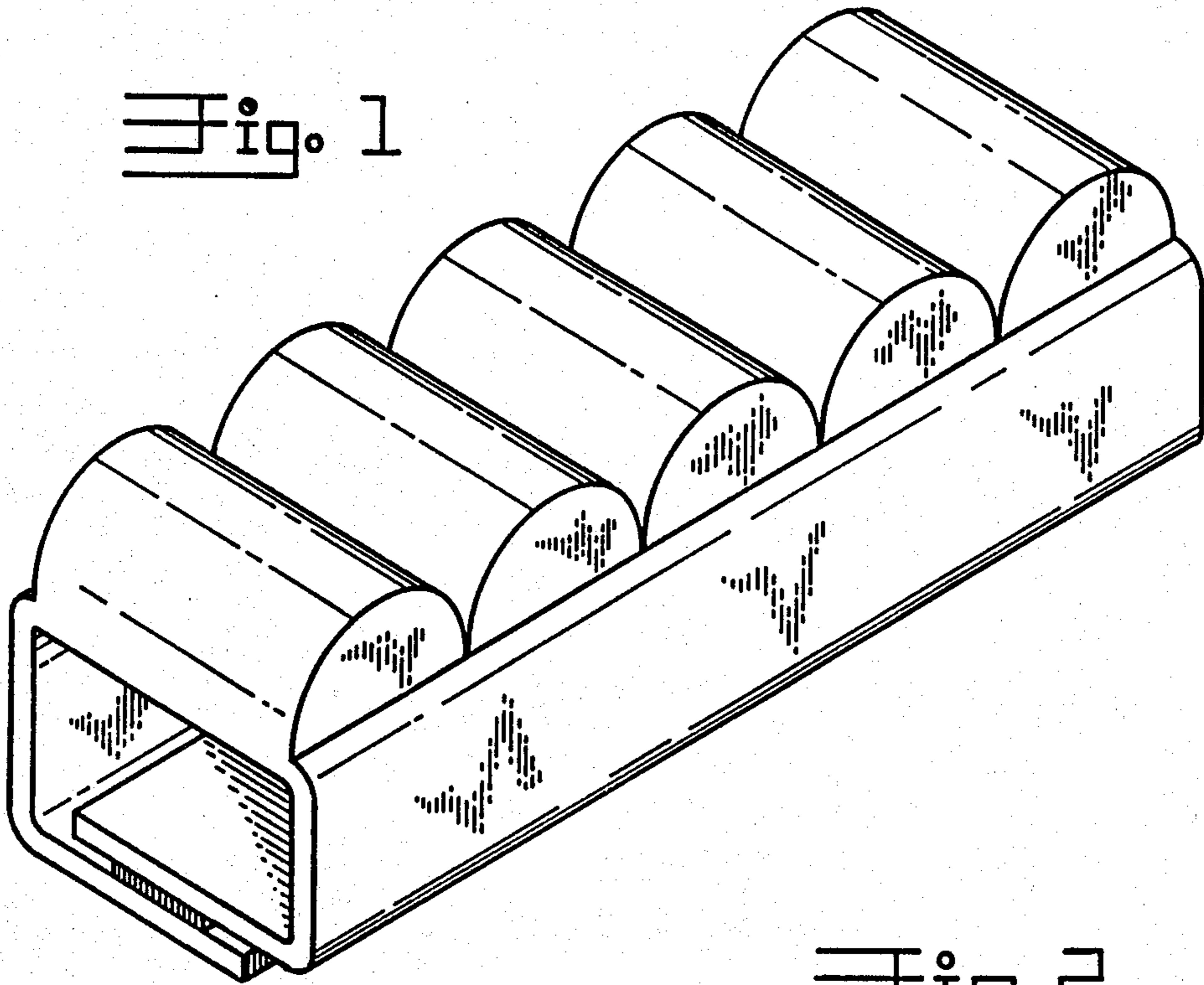
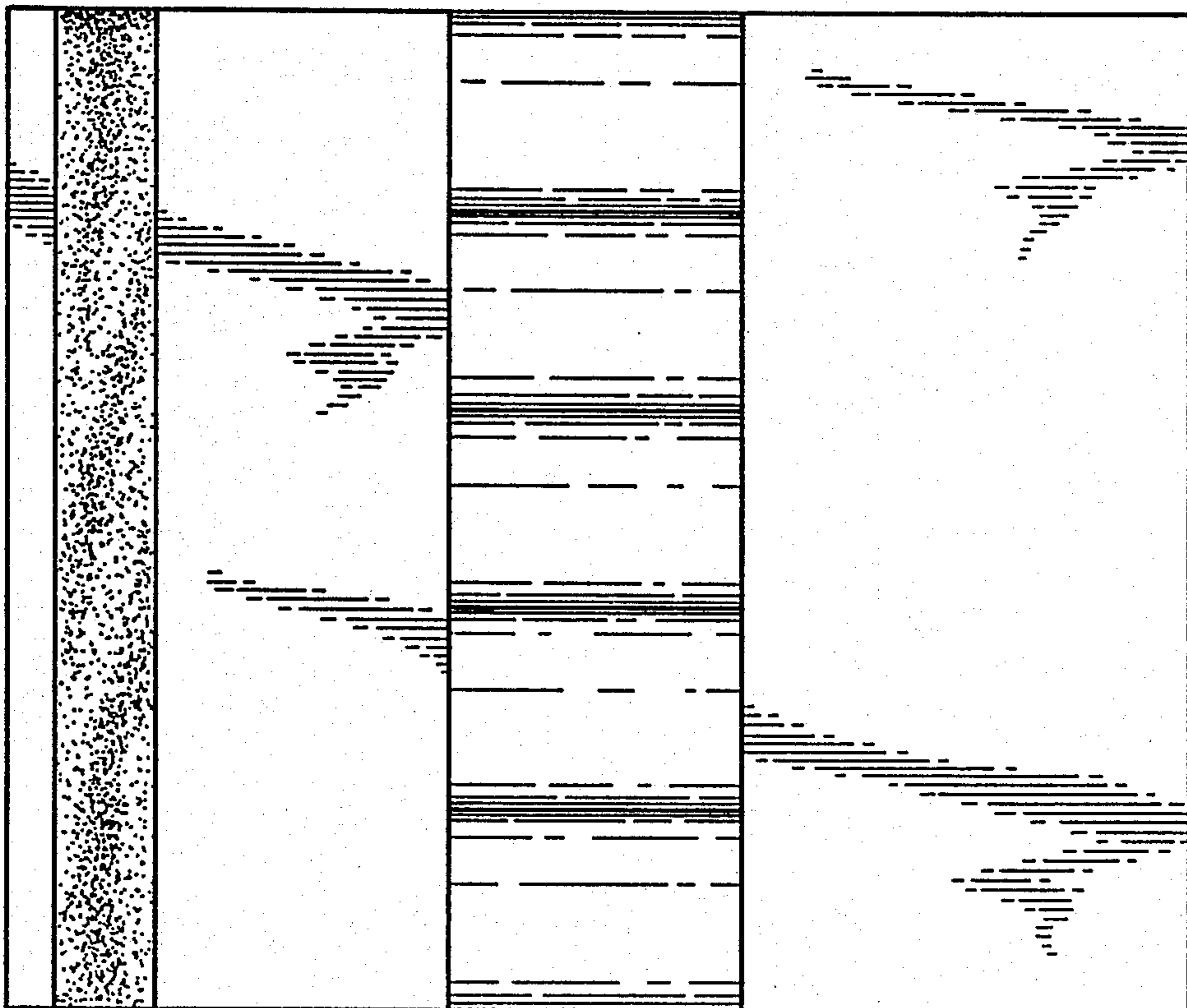


Fig. 2



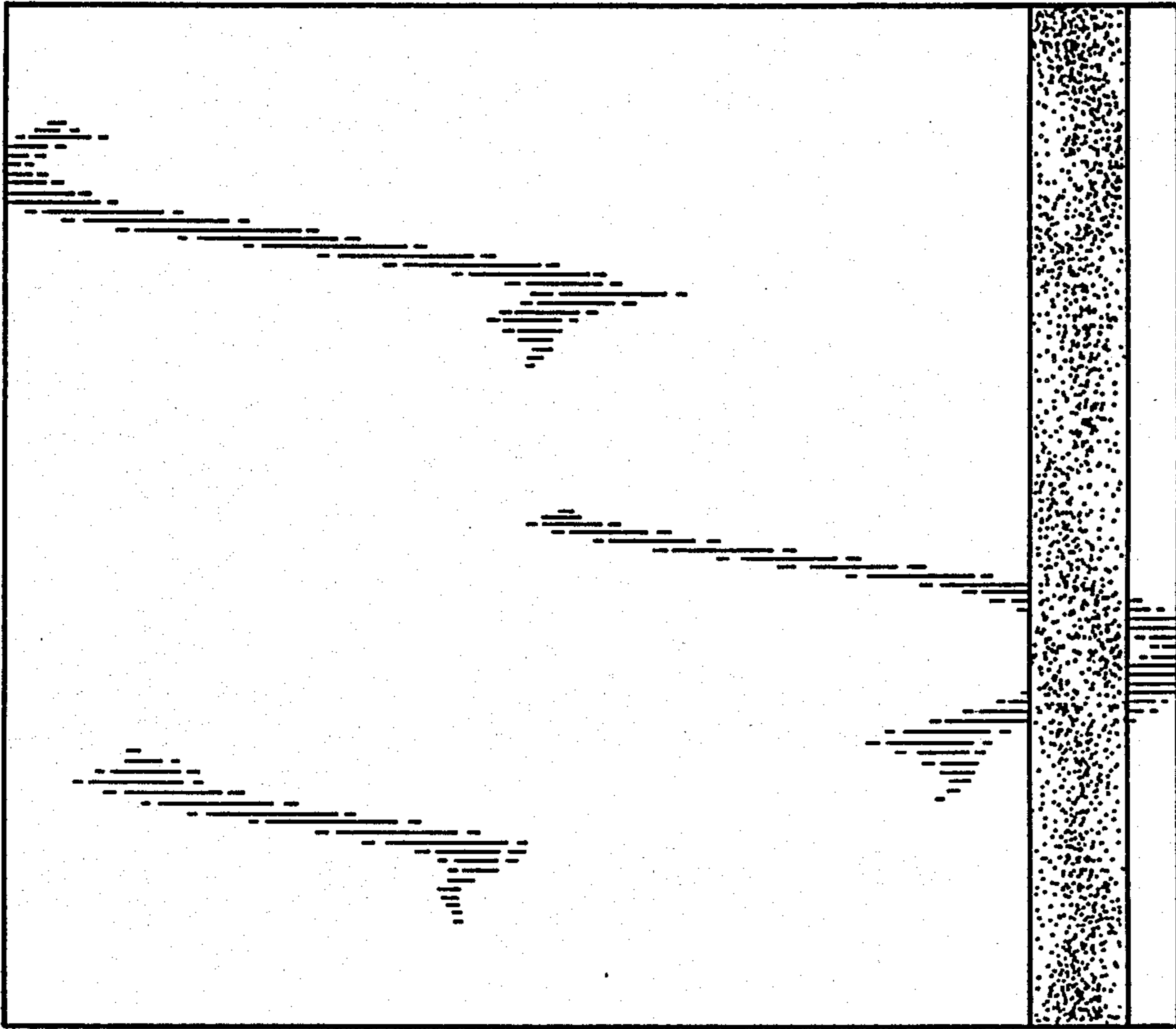


Fig. 3

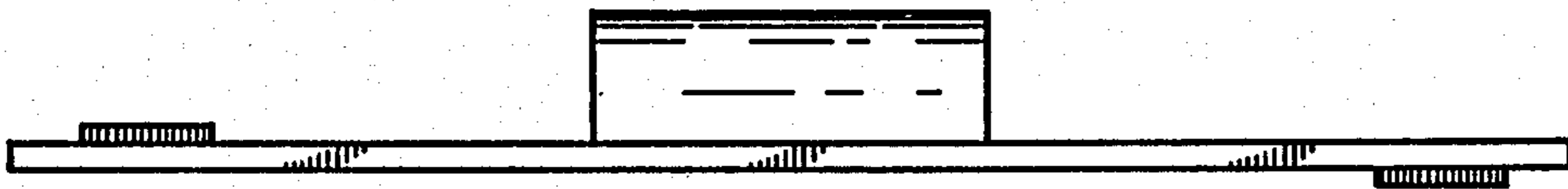


Fig. 4