

[54] COSMETIC CASE

[75] Inventor: Karena Bakic, Munich, Fed. Rep. of Germany

[73] Assignee: Cosmede Anstalt, Vaduz, Liechtenstein

[**] Term: 14 Years

[21] Appl. No.: 866,108

[22] Filed: May 19, 1986

[30] Foreign Application Priority Data

Nov. 19, 1985 [DE] Fed. Rep. of Germany URA 1443/85

[52] U.S. Cl. D28/83

[58] Field of Search D28/4-7, D28/9, 38, 61, 73-91.1; D3/39; D9/420, 421, 423, 430, 432; 206/235, 385, 581, 823; 220/DIG. 26; 362/136, 137; 132/286, 297, 293, 294, 305, 333

[56] References Cited

U.S. PATENT DOCUMENTS

D. 241,176 8/1976 Kingsford D28/78

D. 262,151 12/1981 Sussman D28/83
D. 282,300 1/1986 Bakic D28/83
D. 287,418 12/1986 Trabattoni D28/83
D. 293,724 1/1988 Kingsford et al. D28/83

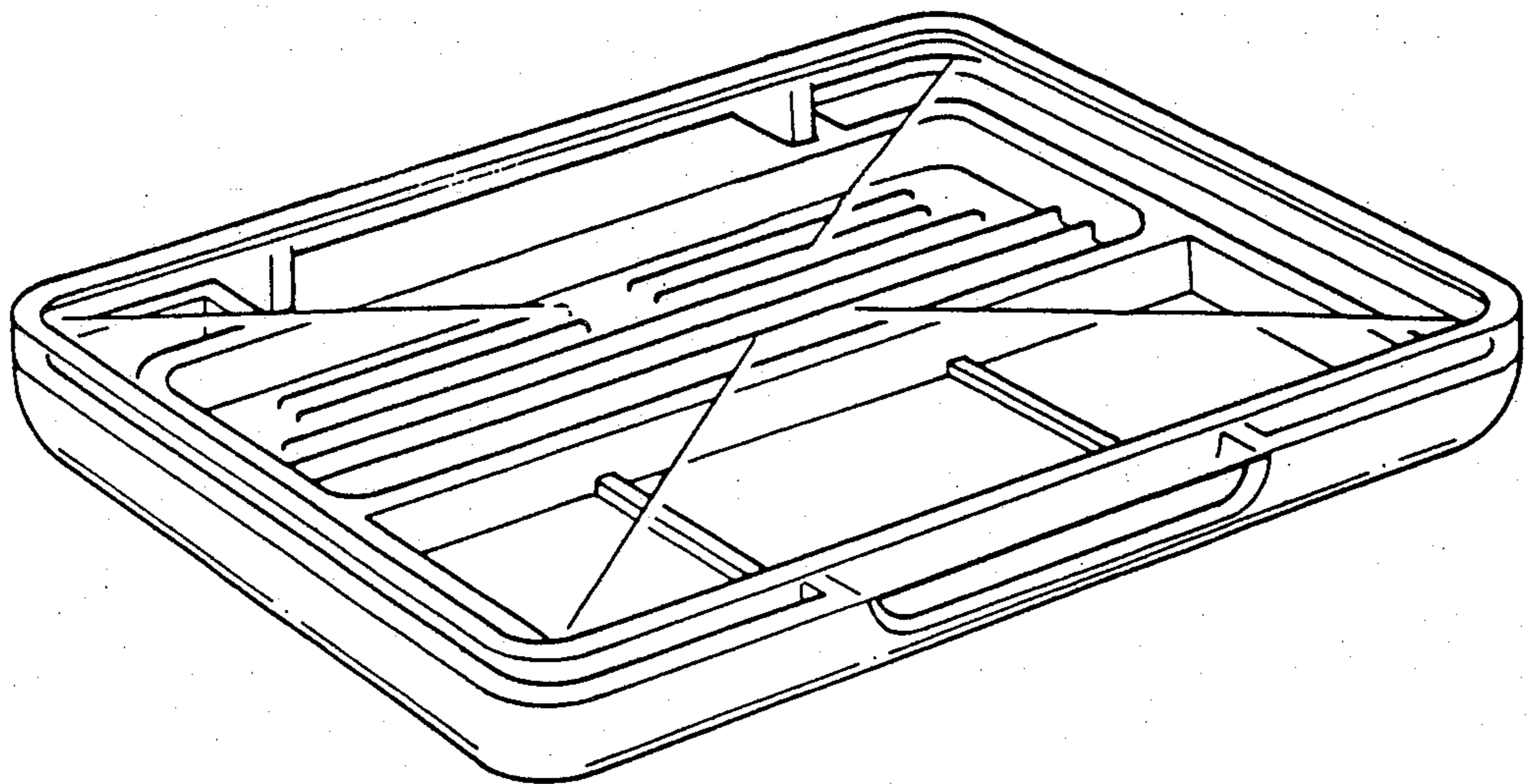
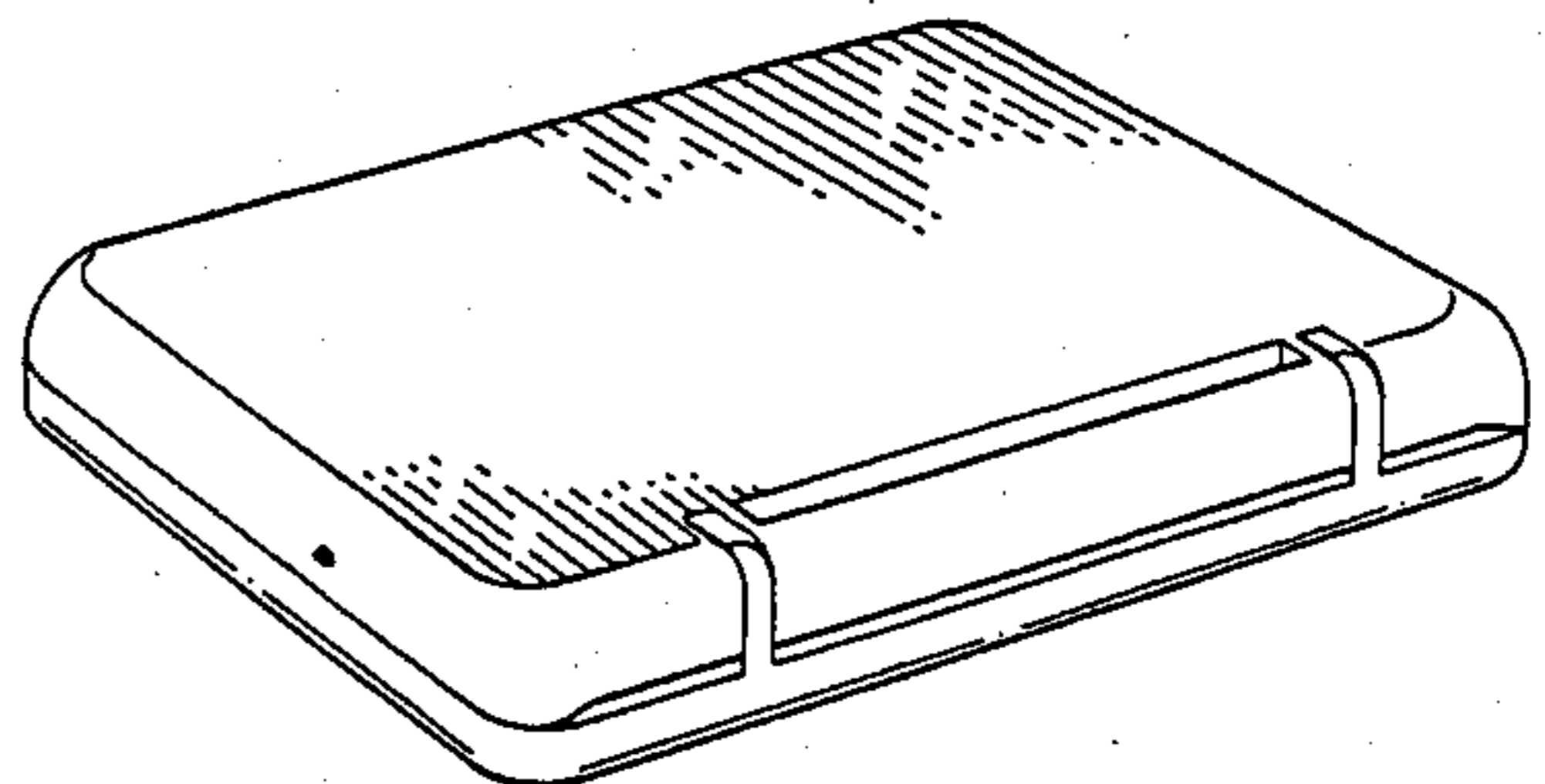
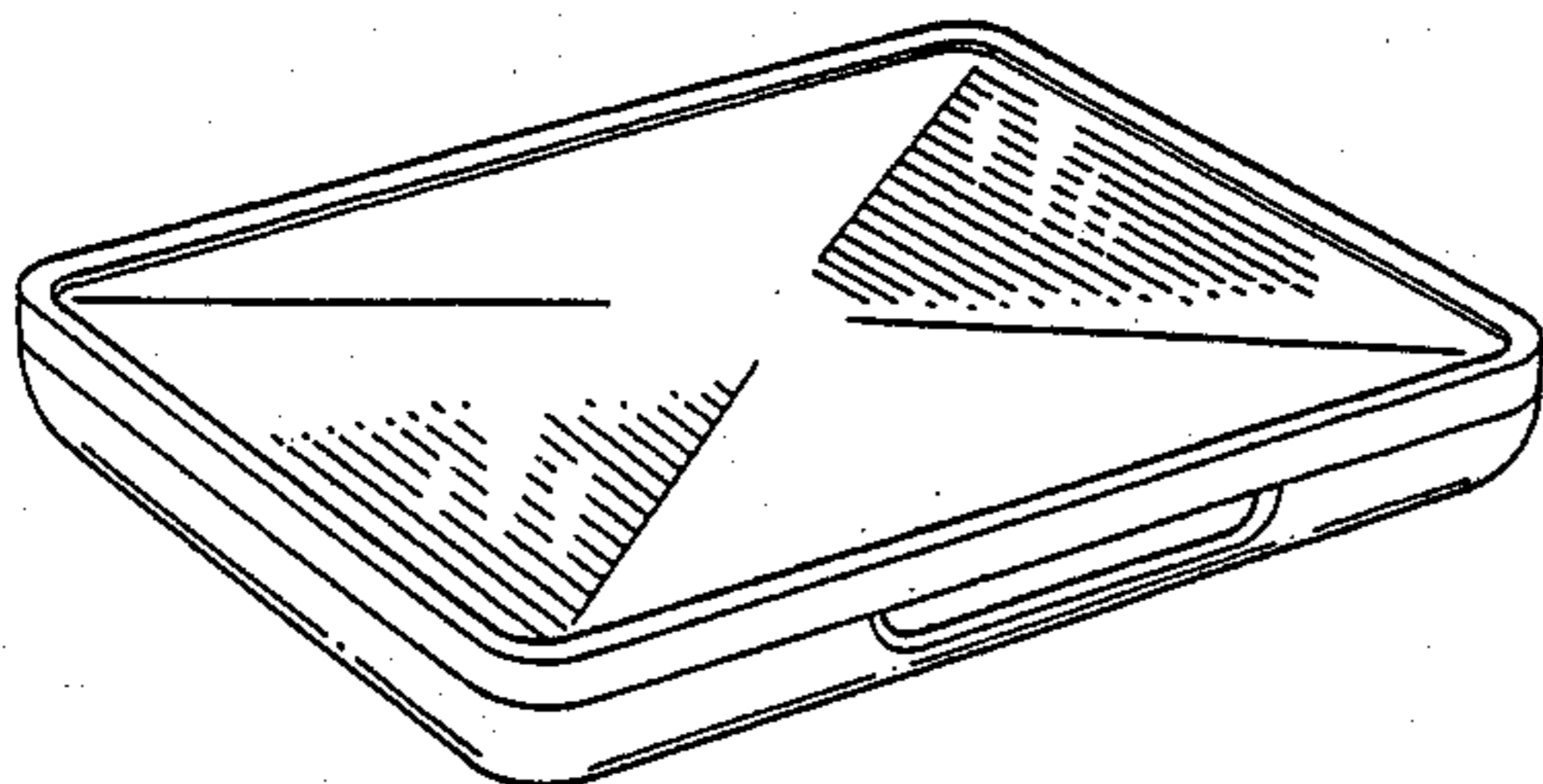
Primary Examiner—Louis S. Zarfes
Attorney, Agent, or Firm—Kenyon & Kenyon

[57] CLAIM

The ornamental design for a cosmetic case, as shown and described.

DESCRIPTION

FIG. 1 is a top front left perspective view of a cosmetic case showing my new design;
FIG. 2 is a perspective back and bottom view thereof;
FIG. 3 is a top plan view thereof;
FIG. 4 is a front elevational view thereof;
FIG. 5 is a left side elevational view thereof;
FIG. 6 is a bottom plan view thereof;
FIG. 7 is a rear elevational view thereof;
FIG. 8 is a right side elevational view thereof;
FIG. 9 is a top front left perspective view of a cosmetic case showing a modified form of my new design wherein the top is transparent;
FIG. 10 is a top plan view thereof, the other views being identical to those shown in FIGS. 4-8.



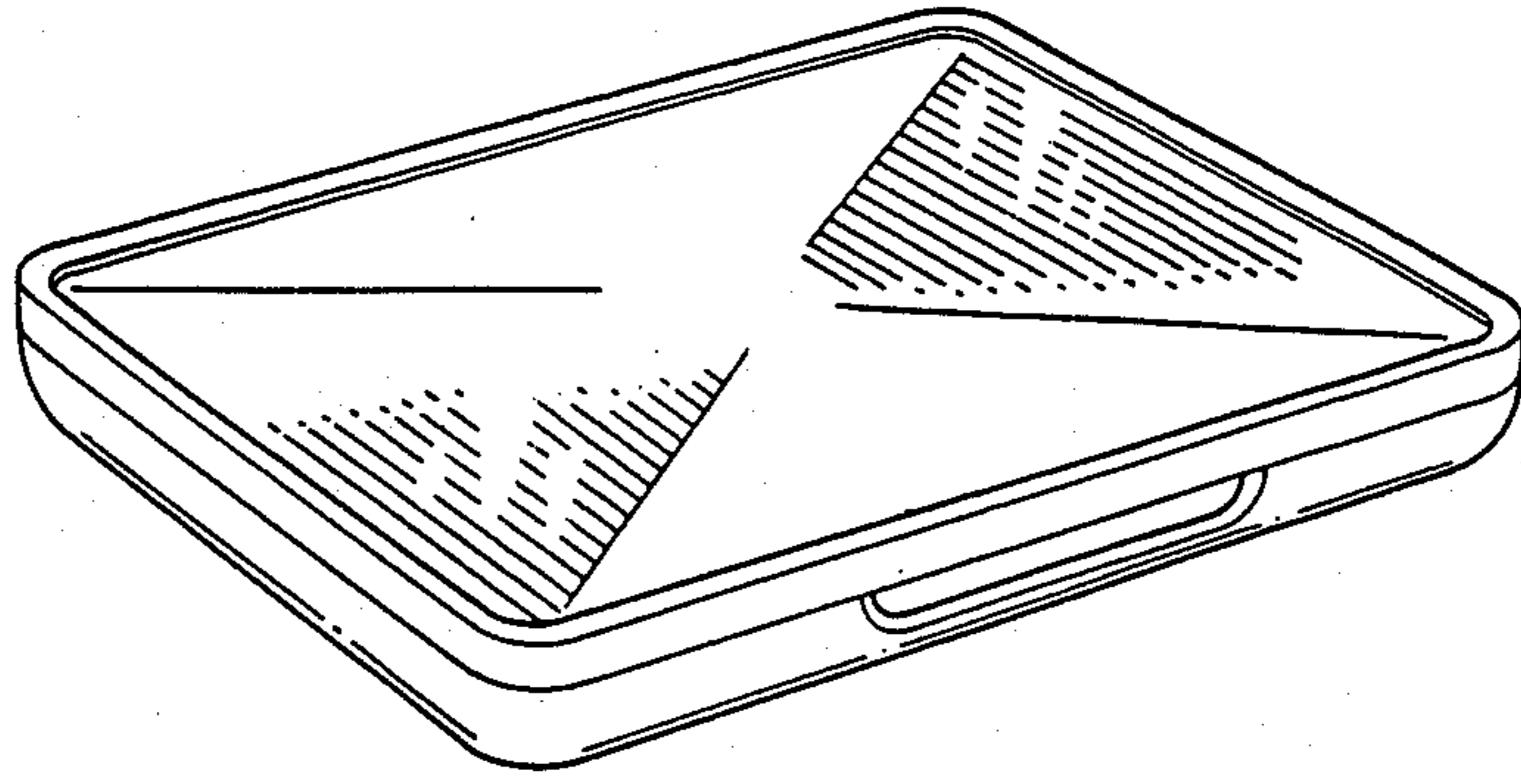


FIG. 1

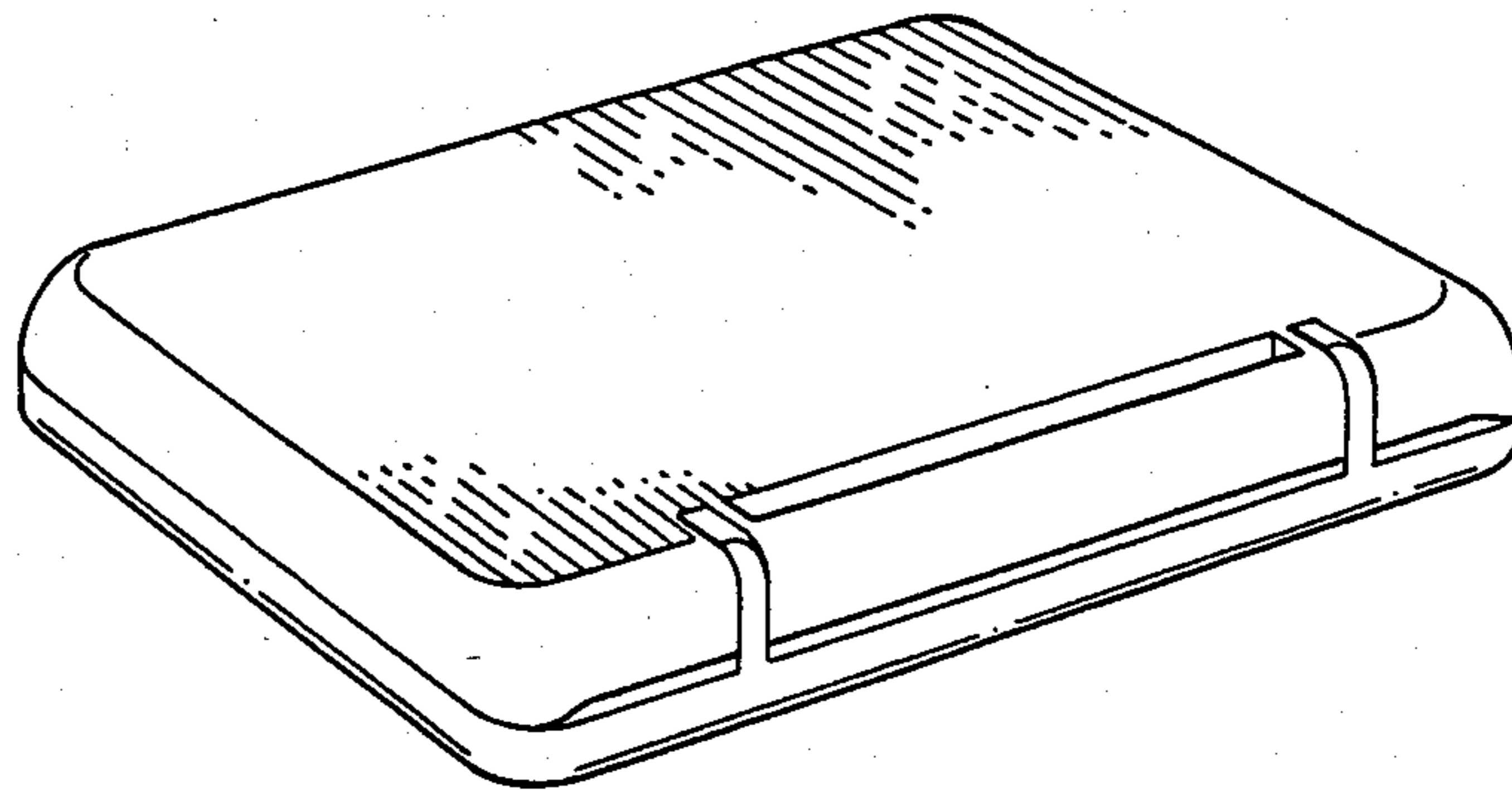


FIG. 2

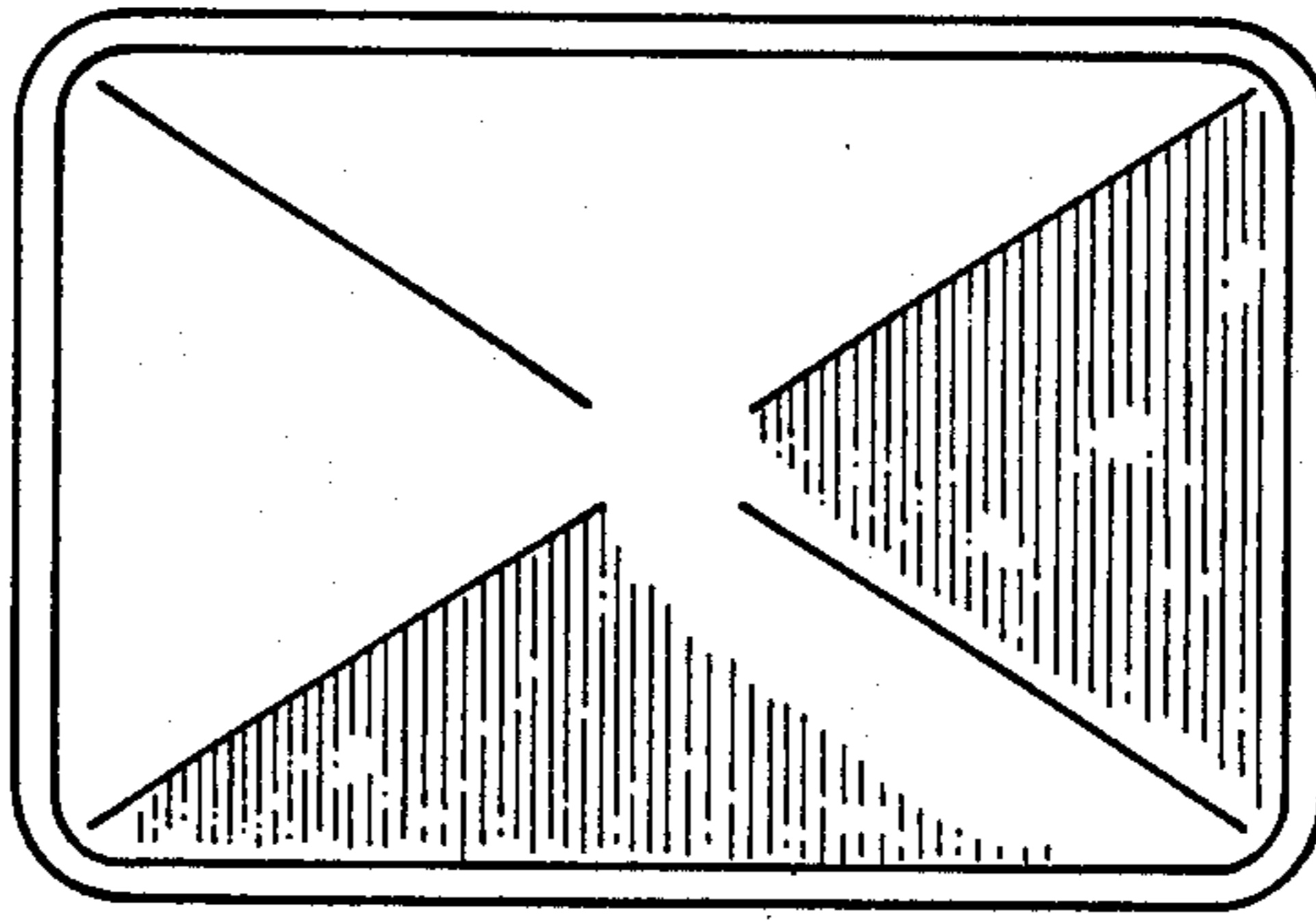


FIG. 3

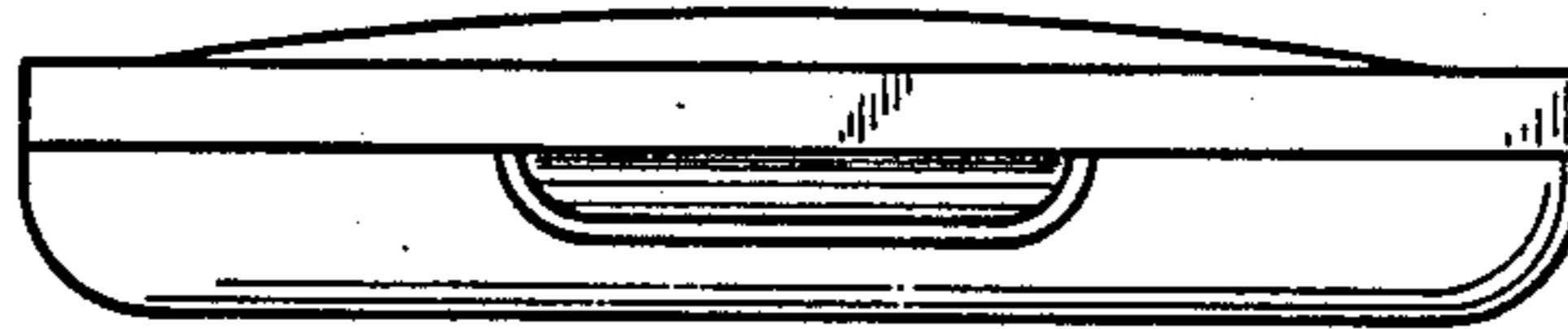


FIG. 4

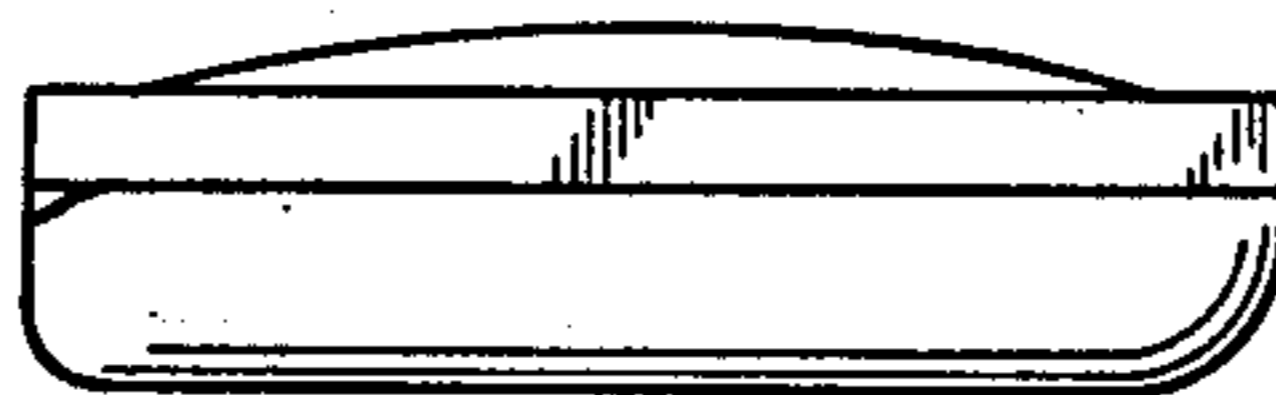


FIG. 5

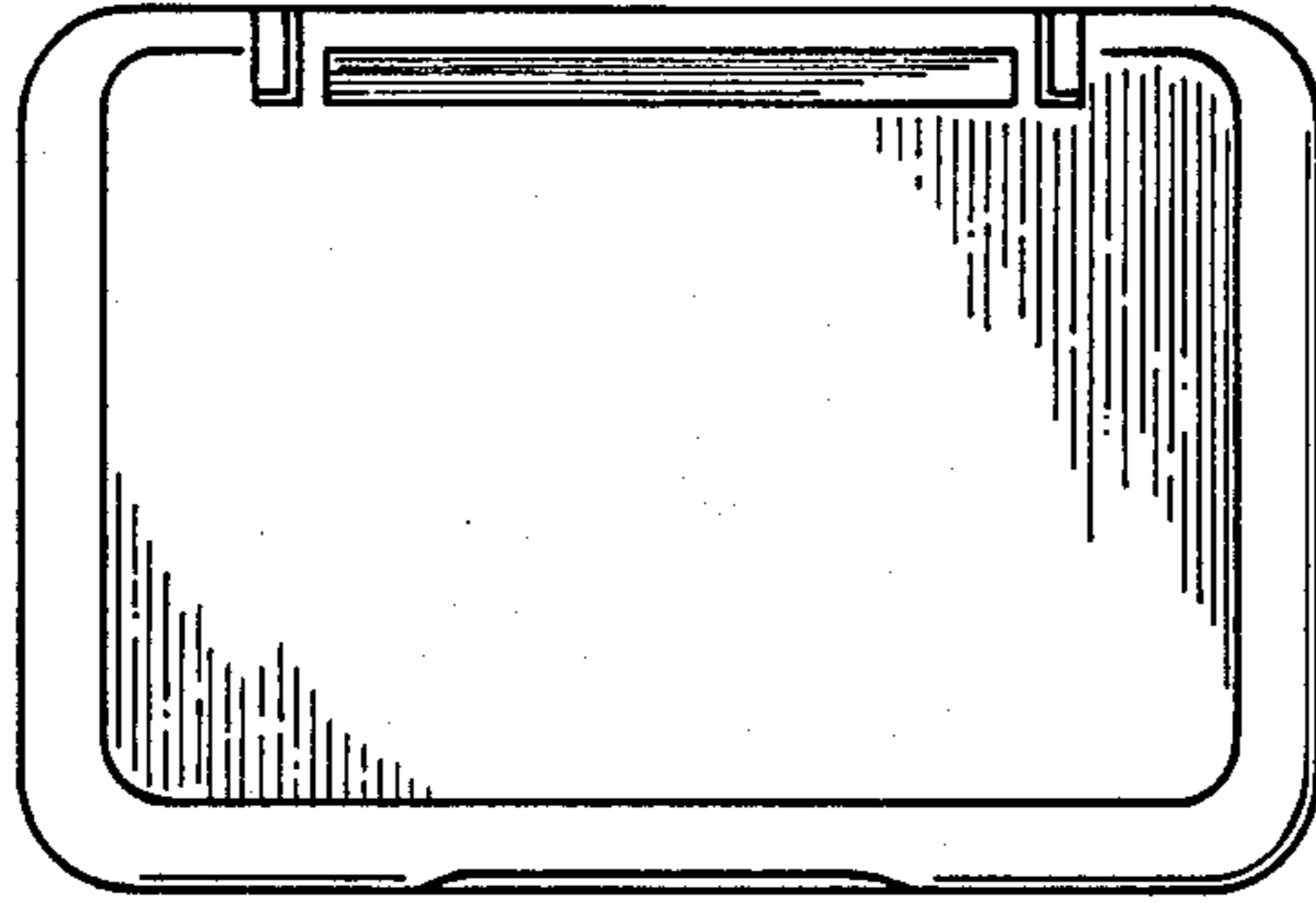


FIG. 6

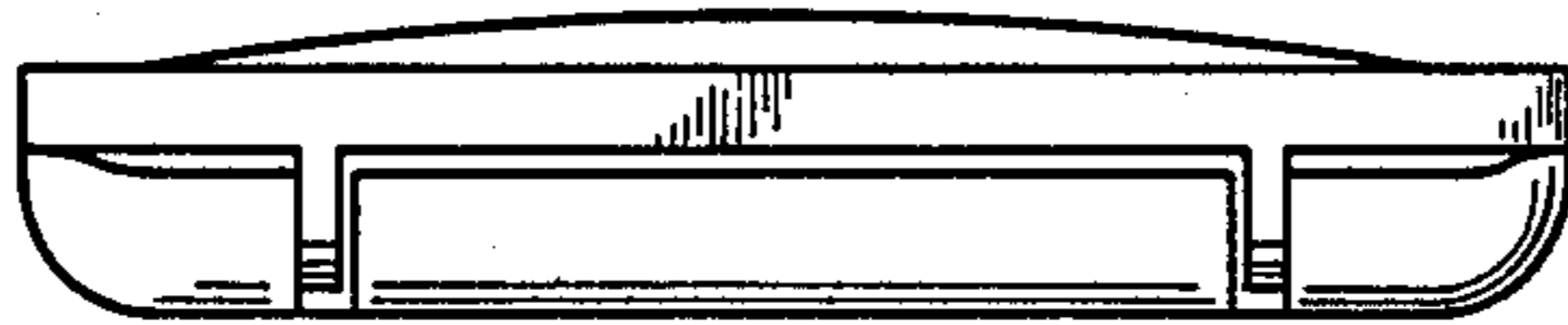


FIG. 7

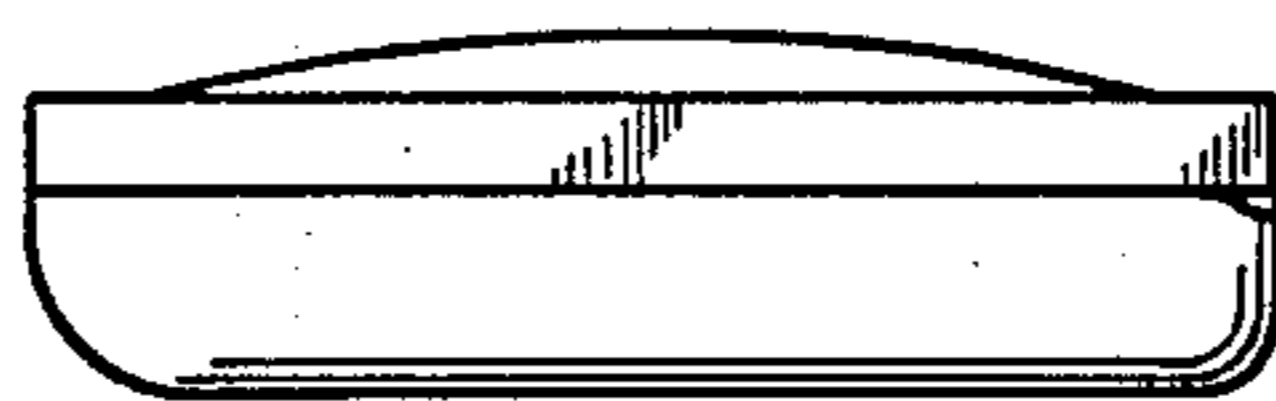


FIG. 8

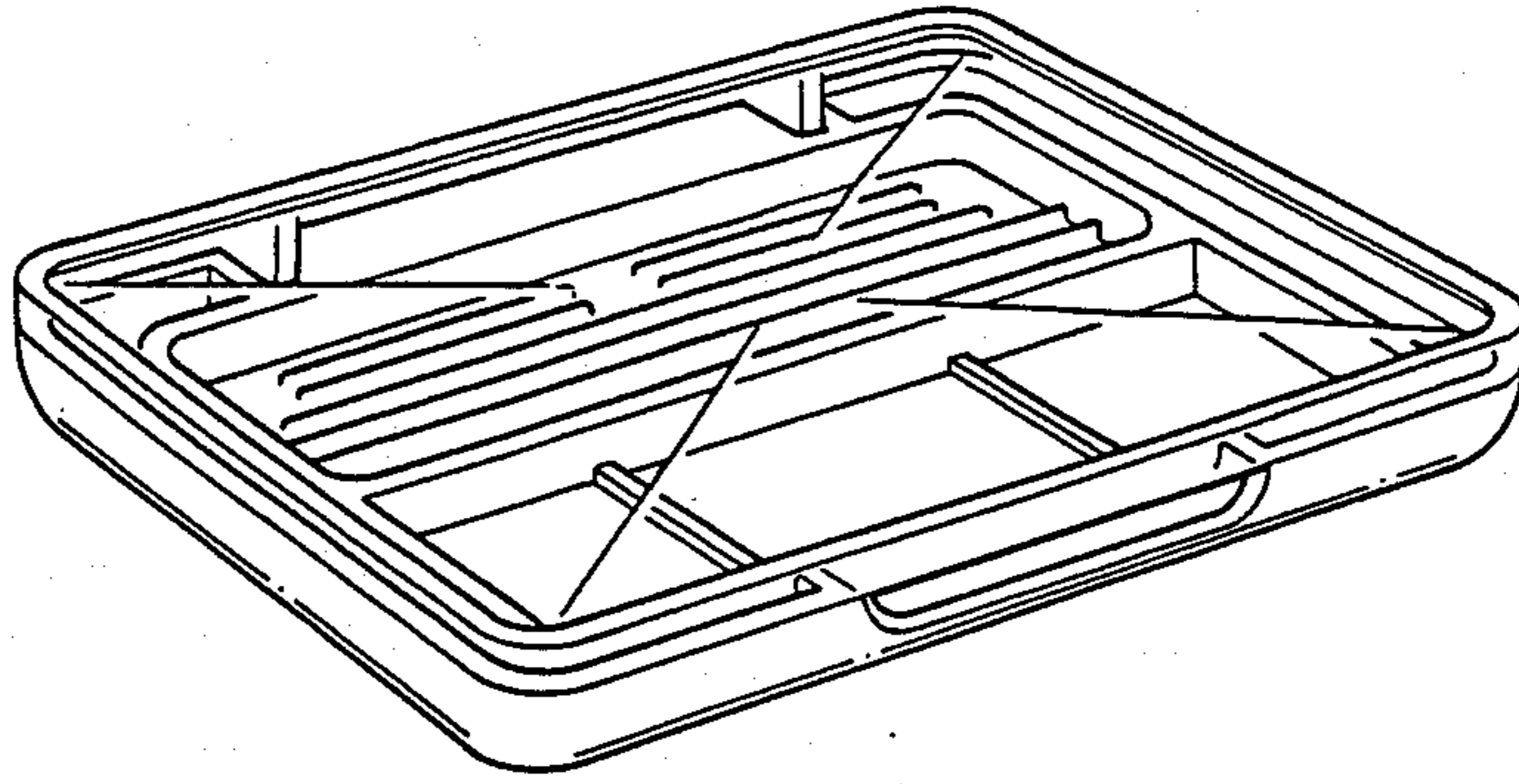


FIG. 9

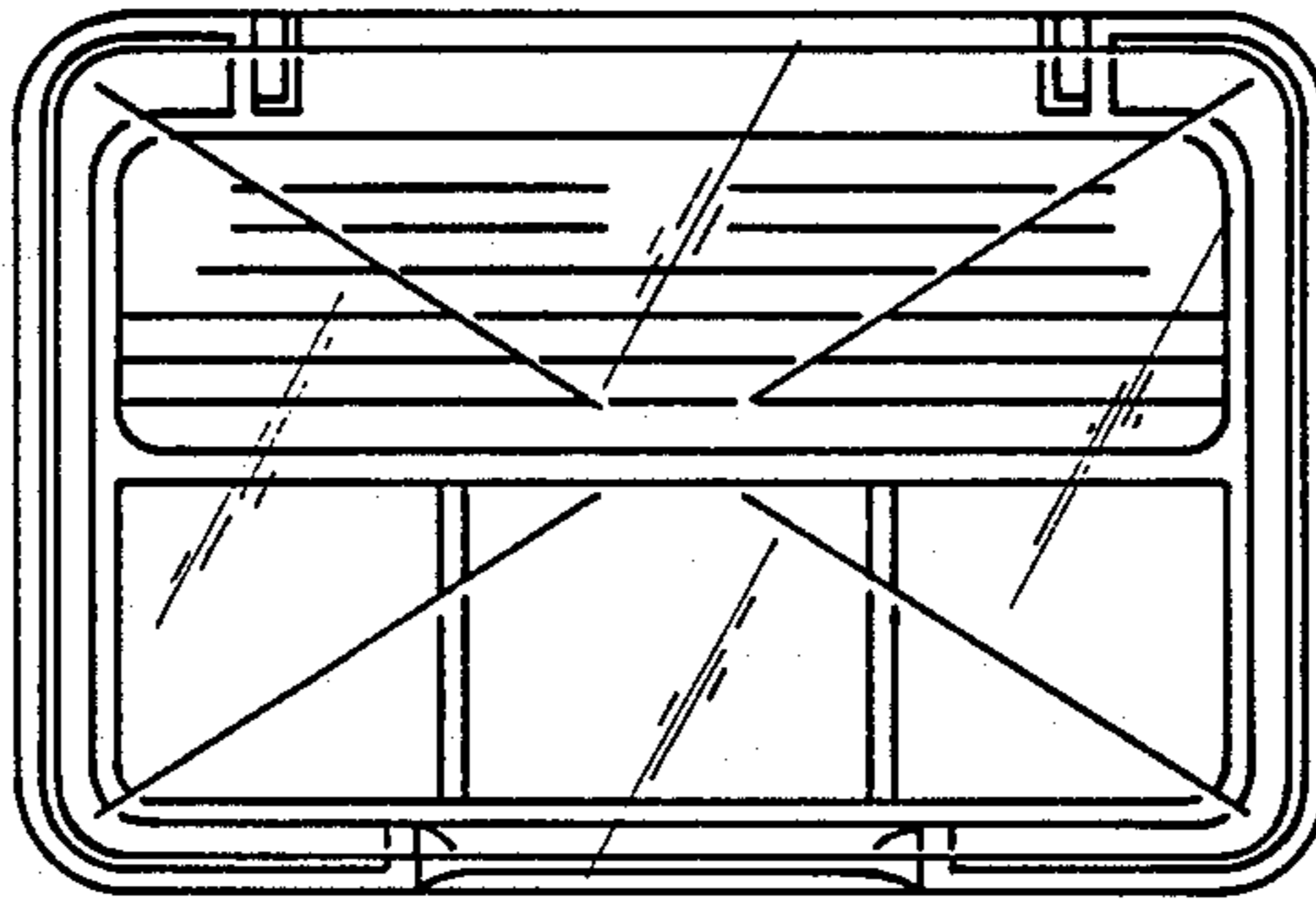


FIG. 10