

[54] COMPACT

[75] Inventor: Herb Whiton, Cedarhurst, N.Y.

[73] Assignee: Licensing Development Group, Inc.,
New York, N.Y.

[**] Term: 14 Years

[21] Appl. No.: 62,828

[22] Filed: Jun. 15, 1987

[52] U.S. Cl. D28/79; D14/121

[58] Field of Search D28/38, 61, 73-91;
D3/39; D11/157; D9/307, 420, 423, 426;
D27/148; 220/DIG. 26; 362/135-137;
206/235, 385, 581, 823; 132/286, 288, 293, 294,
297-301, 303-305, 313-318; D14/120, 121

[56] References Cited

U.S. PATENT DOCUMENTS

- D. 258,585 3/1981 Yoshizawa D14/121
- D. 291,369 8/1987 Ichikawa D27/148

- D. 292,577 11/1987 Johnston et al. D14/121
- 4,566,653 1/1986 Bettinger et al. D14/121 X

Primary Examiner—Louis S. Zarfaz
Attorney, Agent, or Firm—Gottlieb, Rackman &
Reisman

[57] CLAIM

The ornamental design for a compact, as shown and described.

DESCRIPTION

FIG. 1 is a top perspective view of a compact showing my new design;
FIG. 2 is a front elevational view;
FIG. 3 is a right side elevational view;
FIG. 4 is a rear elevational view;
FIG. 5 is a bottom plan view; and
FIG. 6 is a perspective view in open position.
The broken line showing of internal pockets and grooming implements is for illustrative purposes only and forms no part of the claimed design.

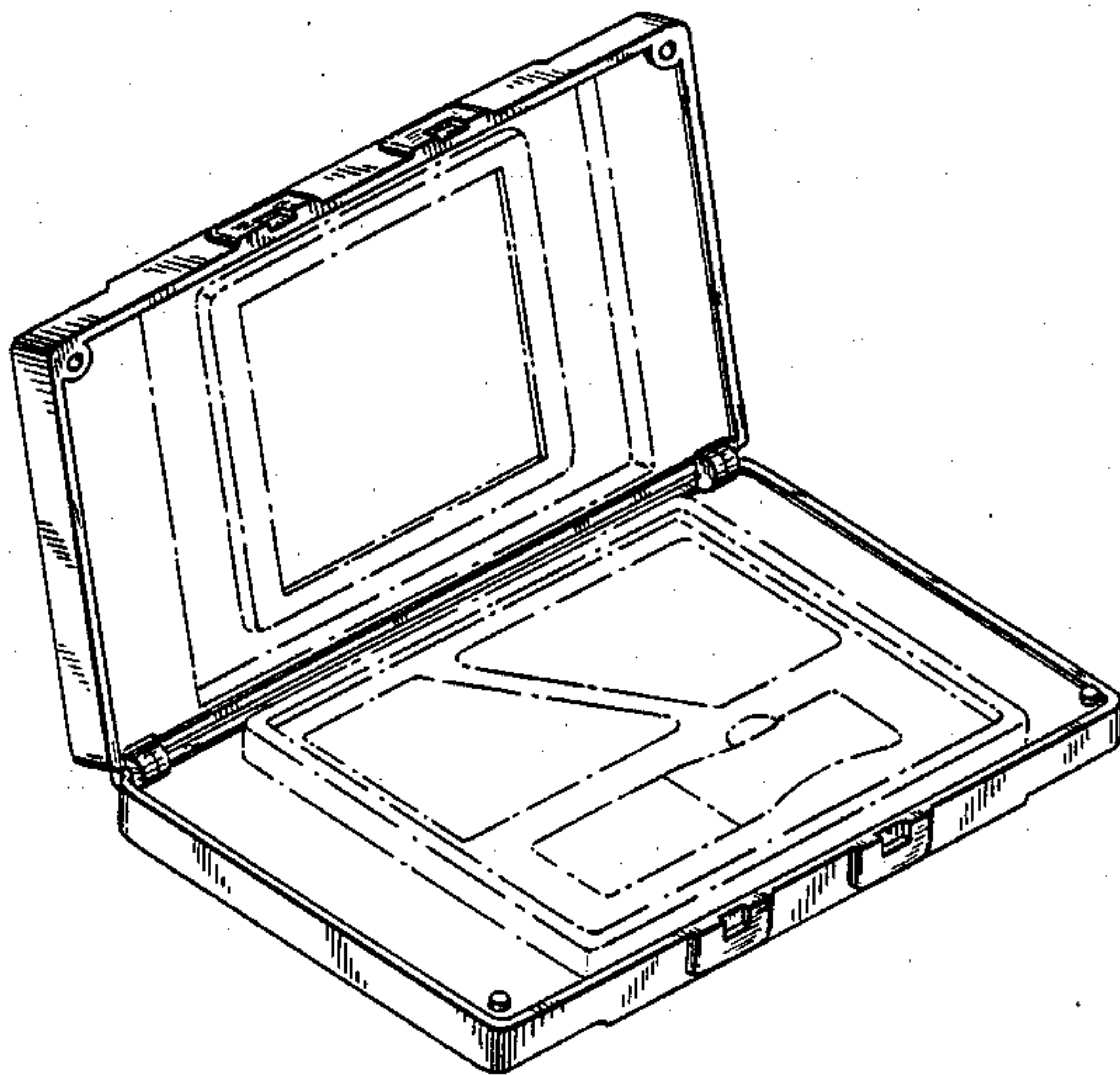
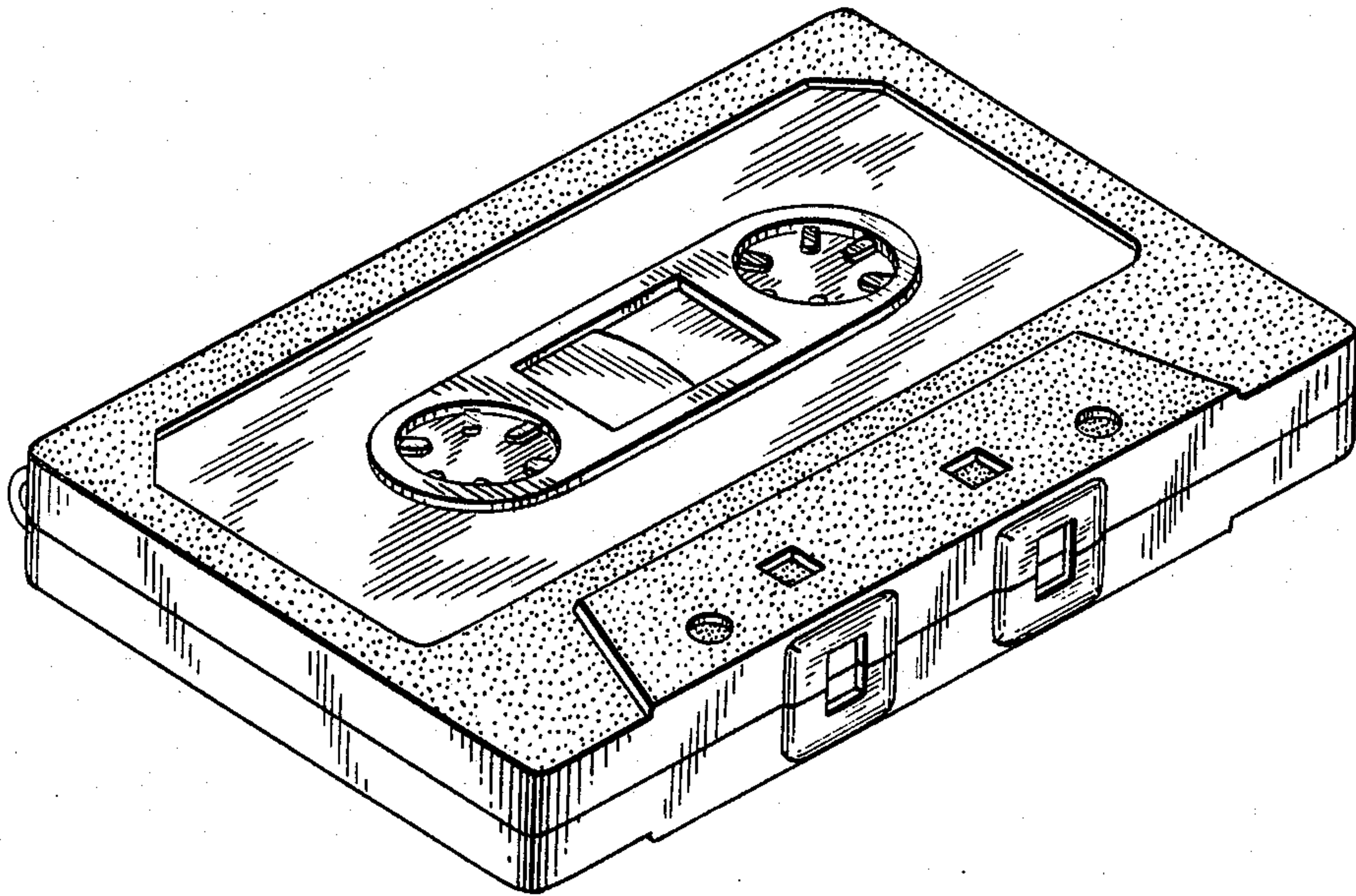


FIG. 1

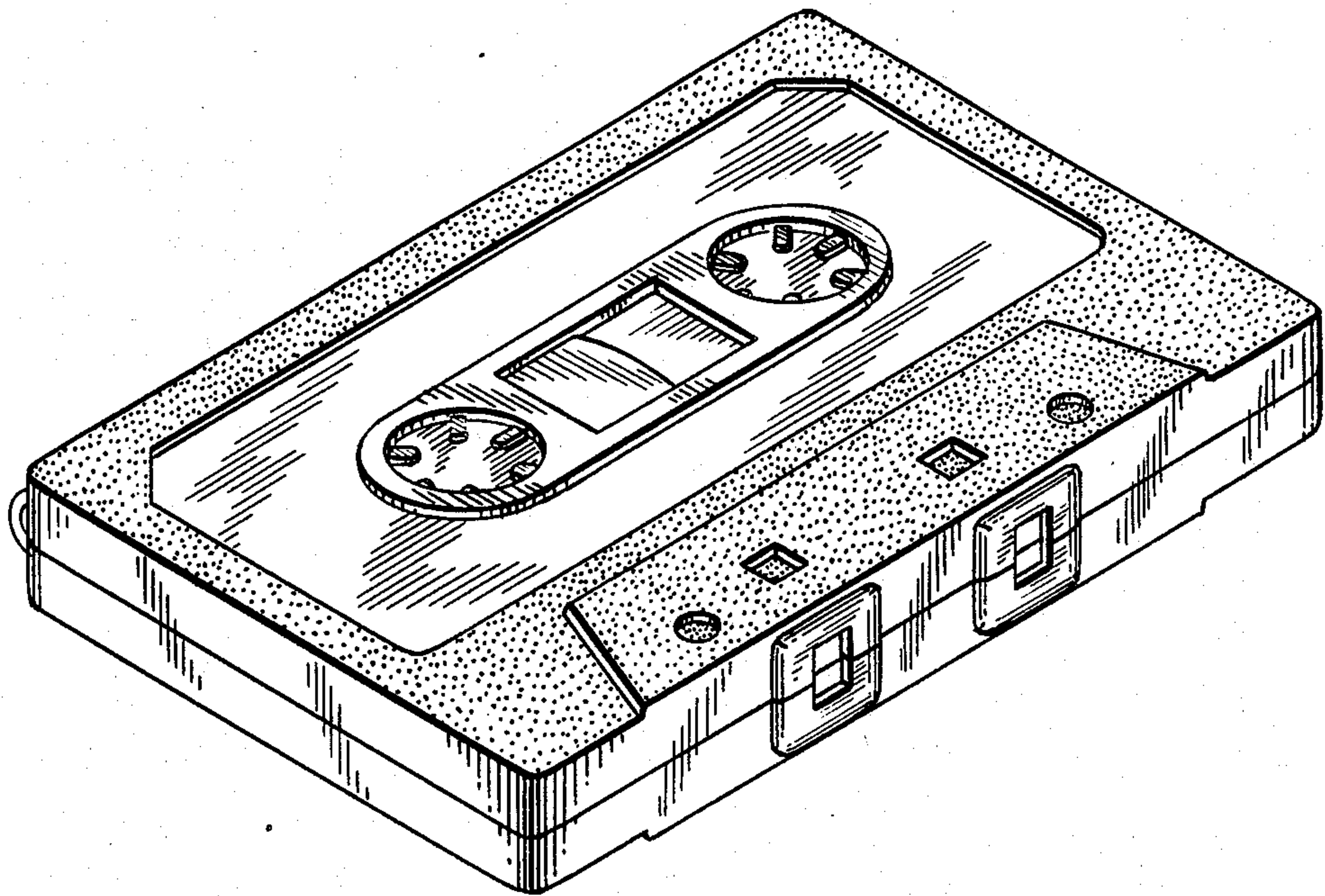


FIG. 2



FIG. 3

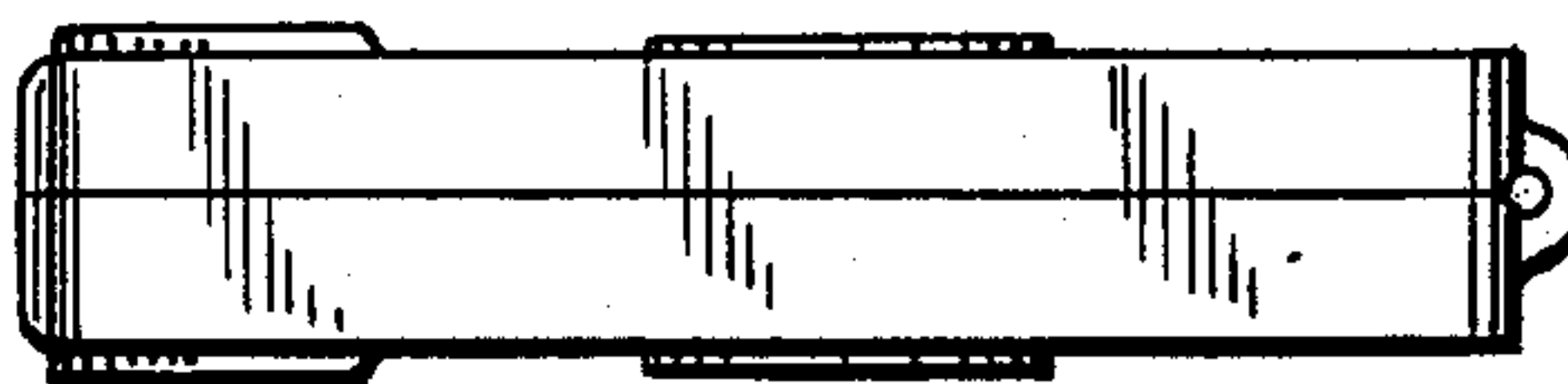


FIG. 4

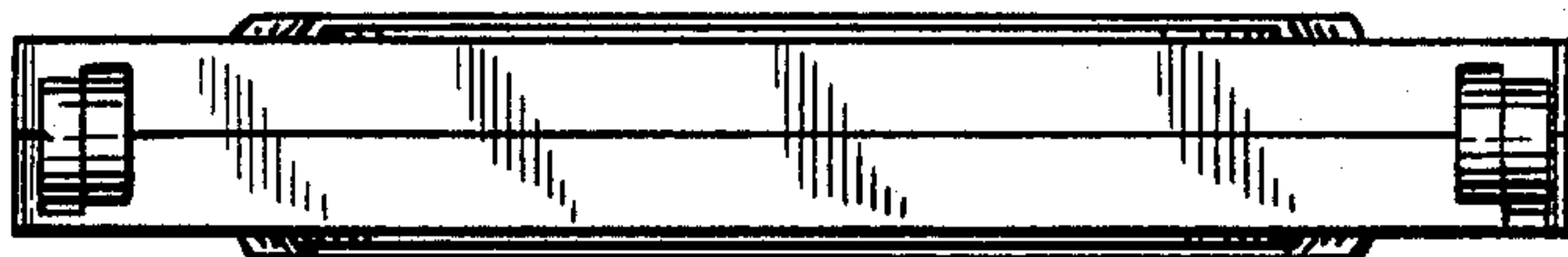


FIG. 5

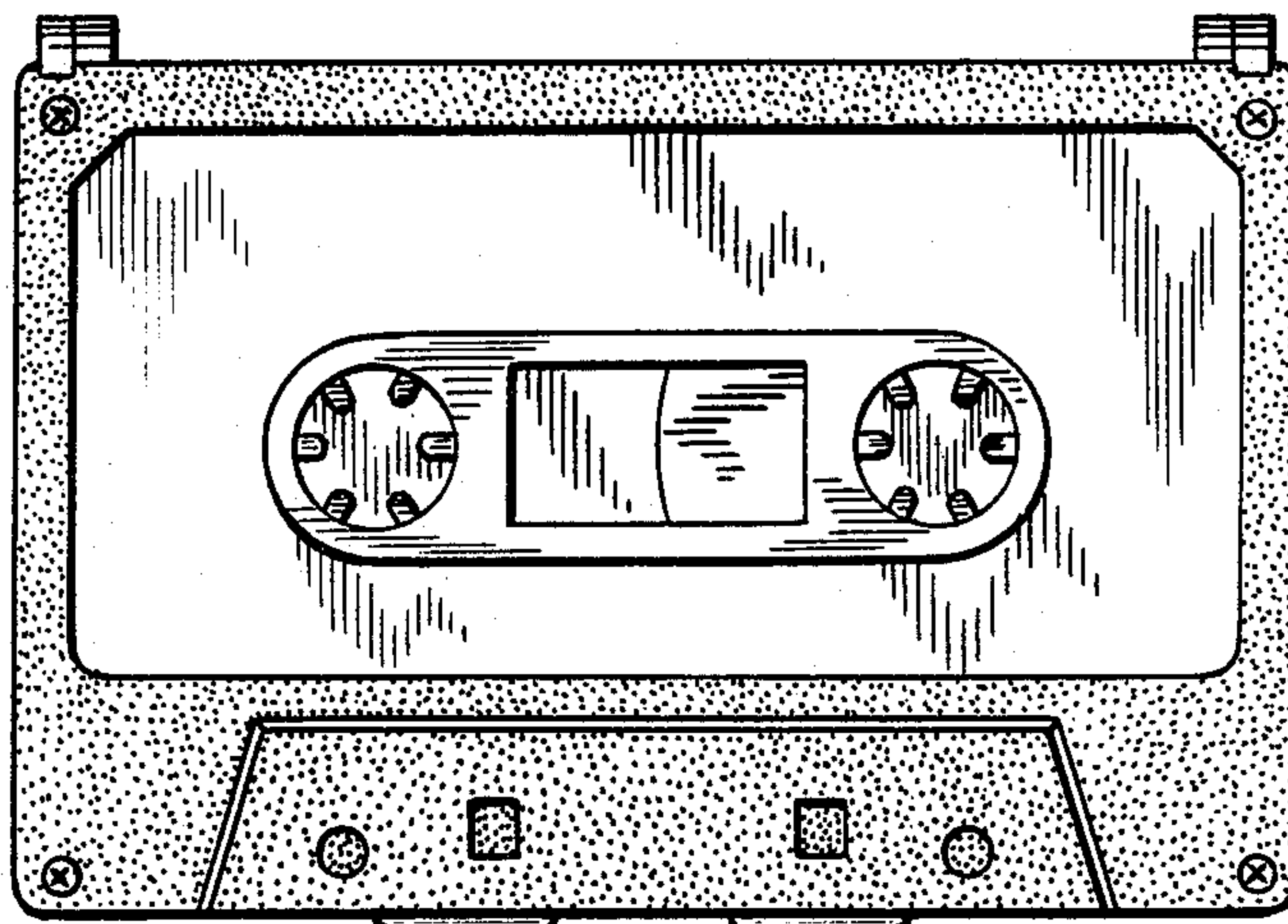


FIG. 6

