

[54] PORTABLE TWIN BEAM LIGHT

[75] Inventors: Pierre Charet; Duke Kraai, both of Miami, Fla.

[73] Assignee: Rally Manufacturing, Inc., Miami, Fla.

[**] Term: 14 Years

[21] Appl. No.: 867,759

[22] Filed: May 29, 1986

[52] U.S. Cl. D26/60; D26/63

[58] Field of Search D26/37-50, D26/60, 61, 62, 63; 362/157, 158, 183-208, 396, 397, 398, 269

[56] References Cited

U.S. PATENT DOCUMENTS

- D. 208,423 8/1967 Ota D26/44
- D. 279,223 6/1985 Tanaka D26/60

- 1,933,965 11/1933 Carlson 362/397 X
- 2,197,314 4/1940 Olson 362/183

FOREIGN PATENT DOCUMENTS

- 681221 10/1952 United Kingdom 362/397

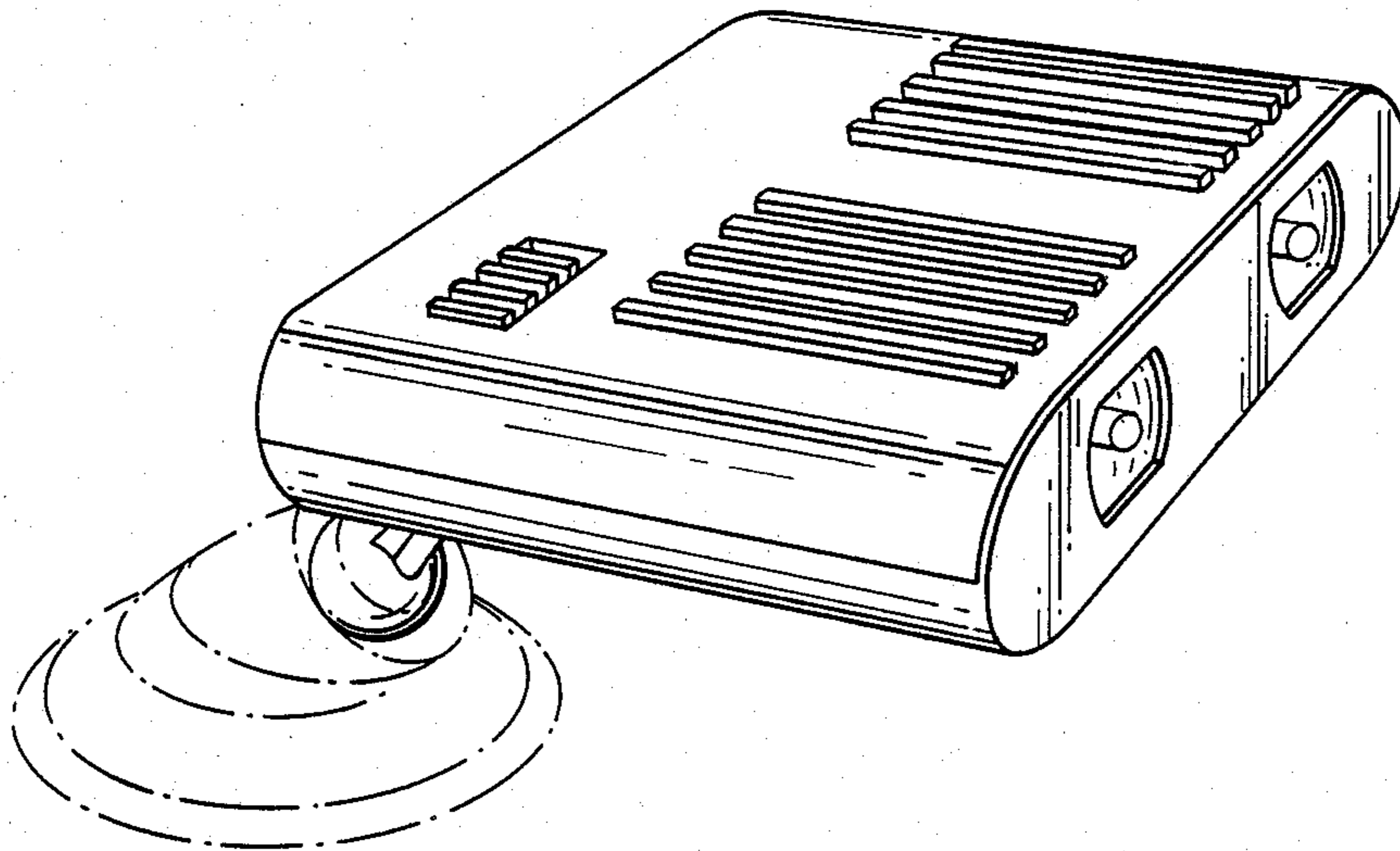
Primary Examiner—Susan J. Lucas
Attorney, Agent, or Firm—Gilbert L. Wells

[57] CLAIM

The ornamental design for a portable twin beam light, as shown and described.

DESCRIPTION

FIG. 1 is a top, front right side perspective view of a portable twin beam light showing our new design; FIG. 2 is a left side elevational view; FIG. 3 is a top plan view thereof; FIG. 4 is a bottom plan view thereof; FIG. 5 is a front elevational view thereof; and FIG. 6 is a rear elevational view thereof.



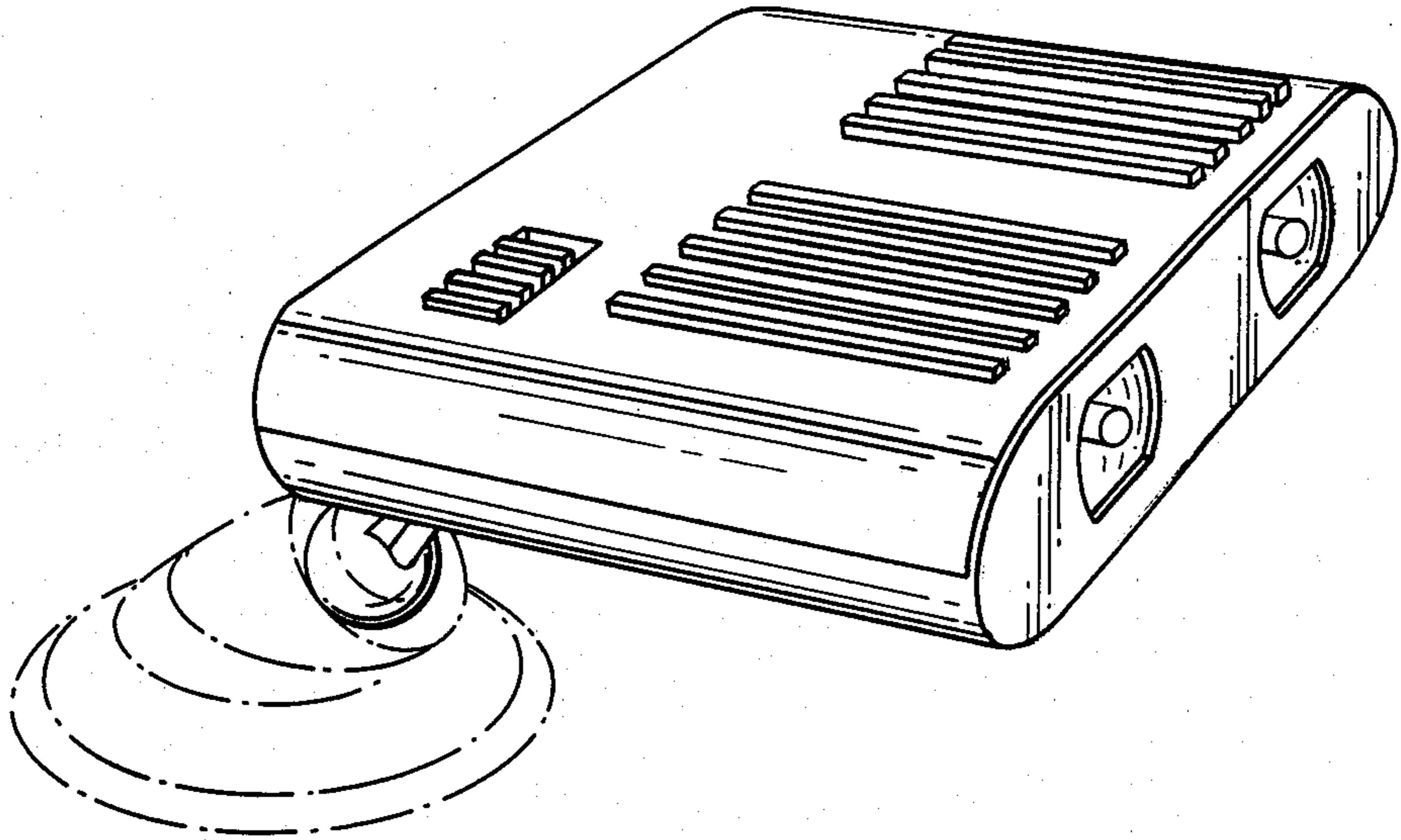


FIG. 1

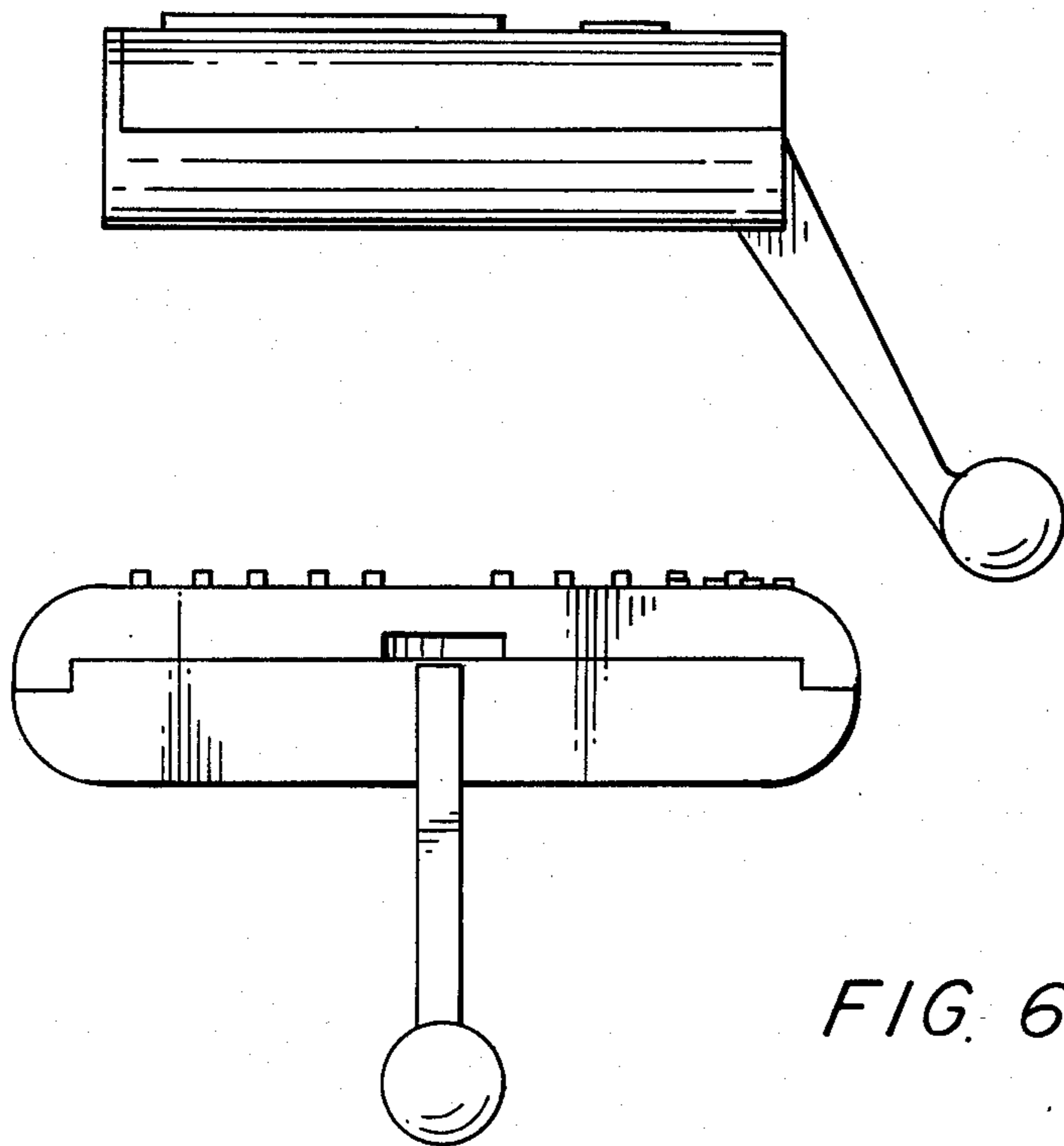


FIG. 2

FIG. 6

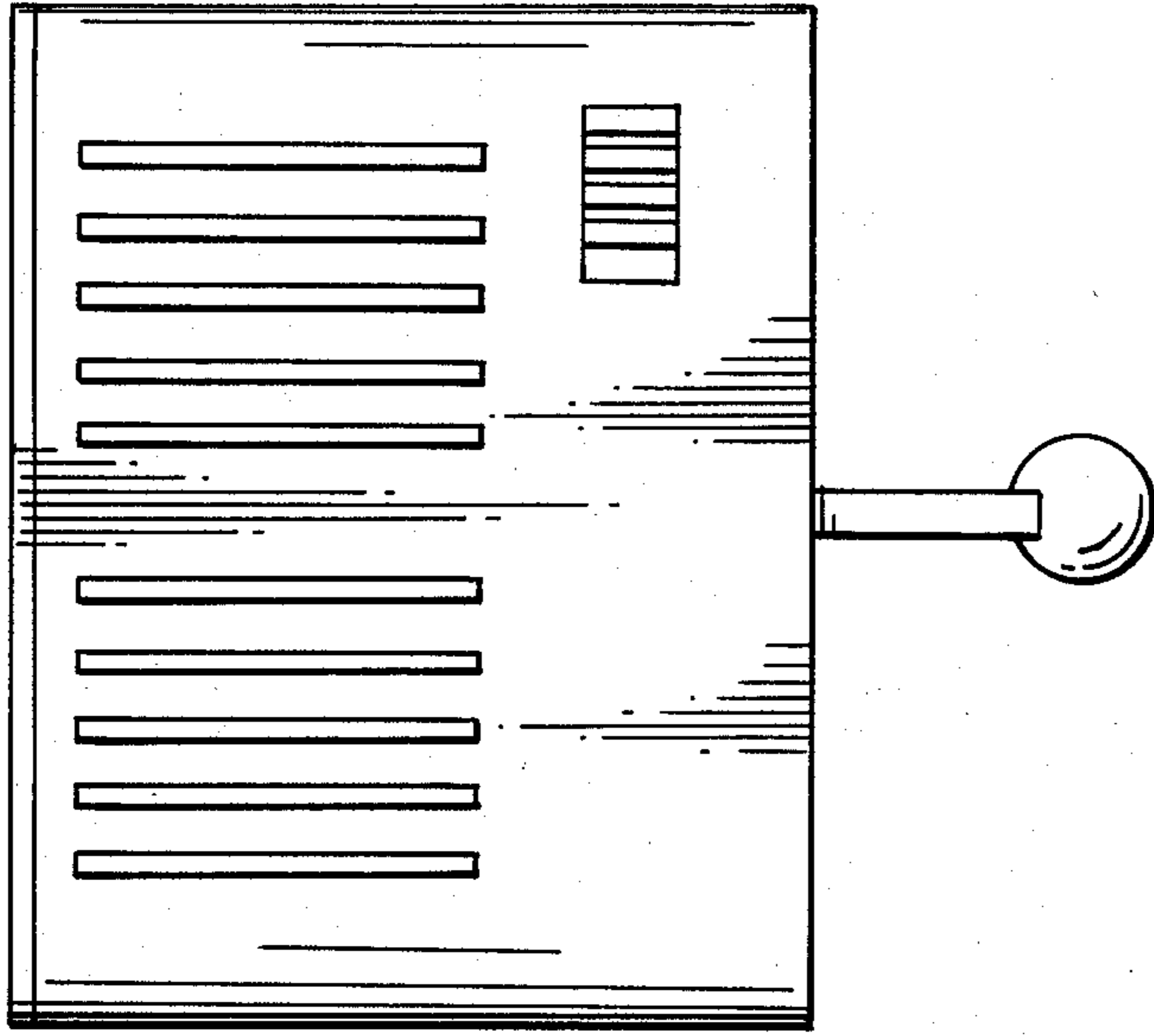


FIG. 3

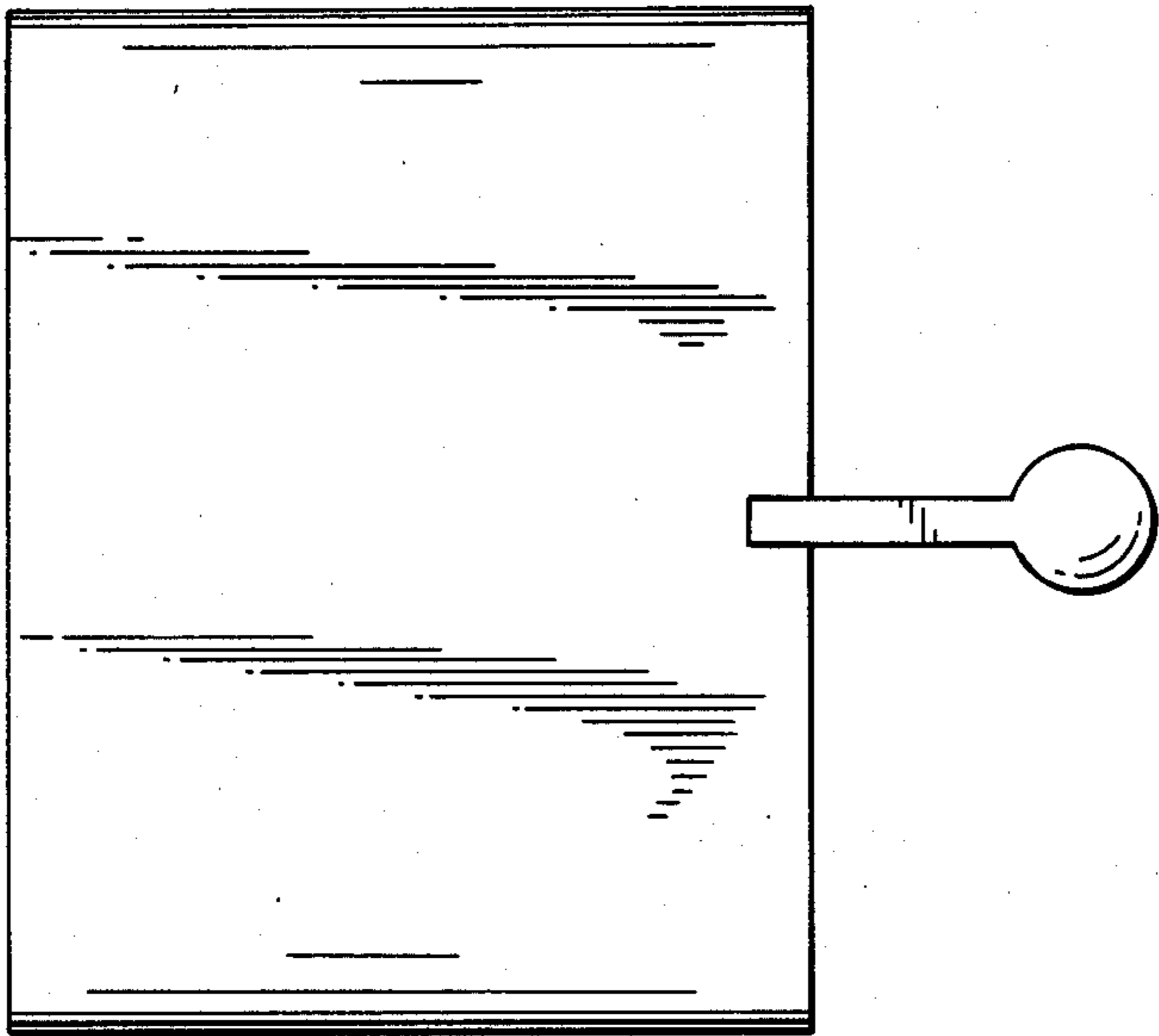


FIG. 4

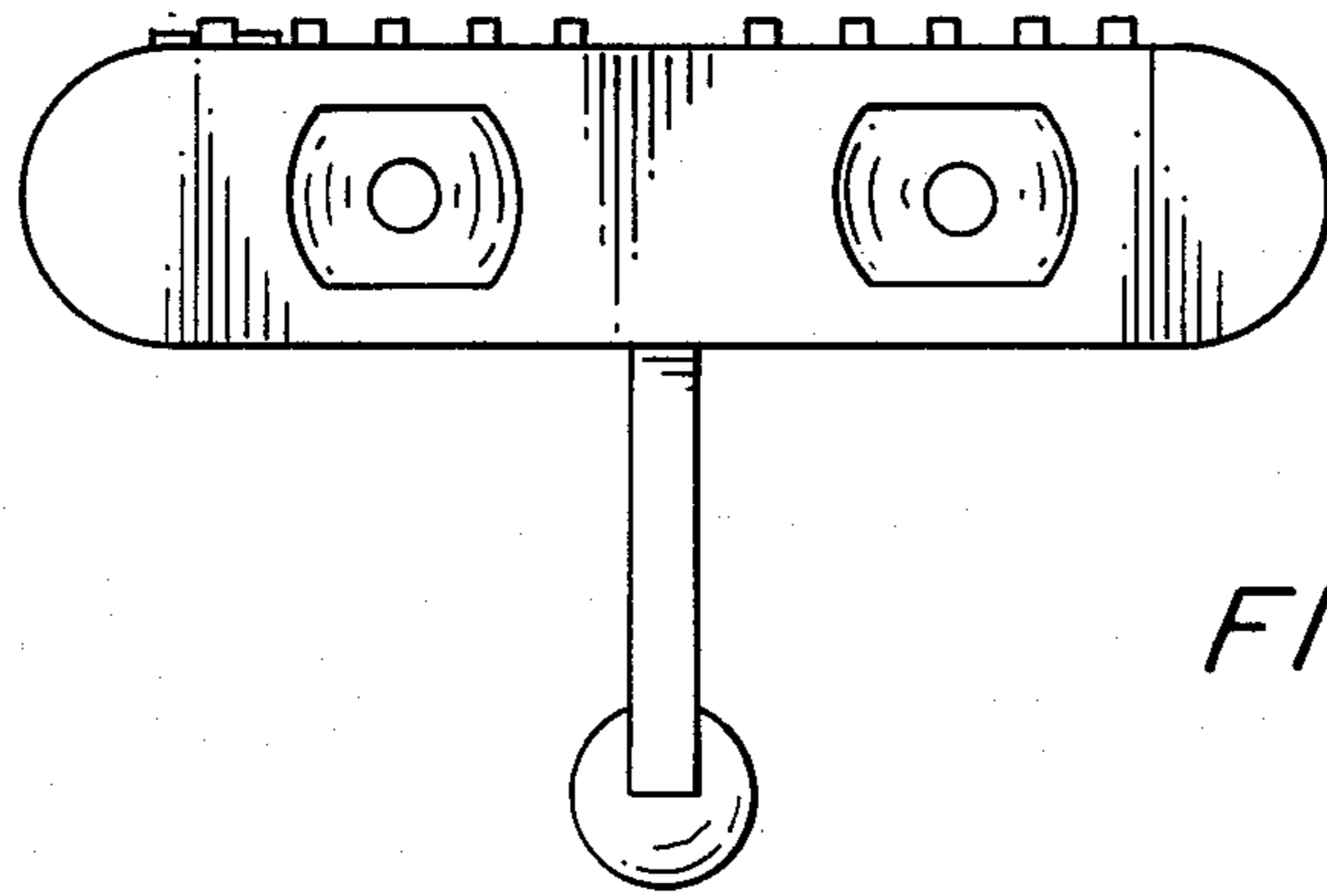


FIG. 5