

[54] ORTHODONTIC BRACKET

[75] Inventor: Arthur W. Jones, Bonsall, Calif.

[73] Assignee: Lancer Pacific, Carlsbad, Calif.

[\*\*] Term: 14 Years

[21] Appl. No.: 46,336

[22] Filed: May 4, 1987

[52] U.S. Cl. .... D24/16

[58] Field of Search ..... D24/10, 16; 433/8-17

[56] References Cited

U.S. PATENT DOCUMENTS

D. 289,329	4/1987	Evans	.....	D24/16
D. 290,040	5/1987	Kelly	.....	D24/16
D. 291,919	9/1987	Reynolds	.....	D24/10
2,701,913	2/1955	Lane	.....	433/16
3,303,565	2/1967	Newman	.....	D24/10 X
3,353,271	11/1967	Blechman	.....	433/16
3,391,461	7/1968	Johnson	.....	D24/10 X
3,477,128	11/1969	Andrews	.....	433/16
3,660,900	5/1972	Andrews	.....	433/16
3,775,850	12/1973	Northcutt	.....	433/16
3,881,252	5/1975	Andrews	.....	433/16
3,932,940	1/1976	Andren	.....	433/16

4,139,945	2/1979	Di Giulio	.....	433/16
4,249,897	2/1981	Anderson	.....	433/8
4,415,330	11/1983	Daisley et al.	.....	433/16

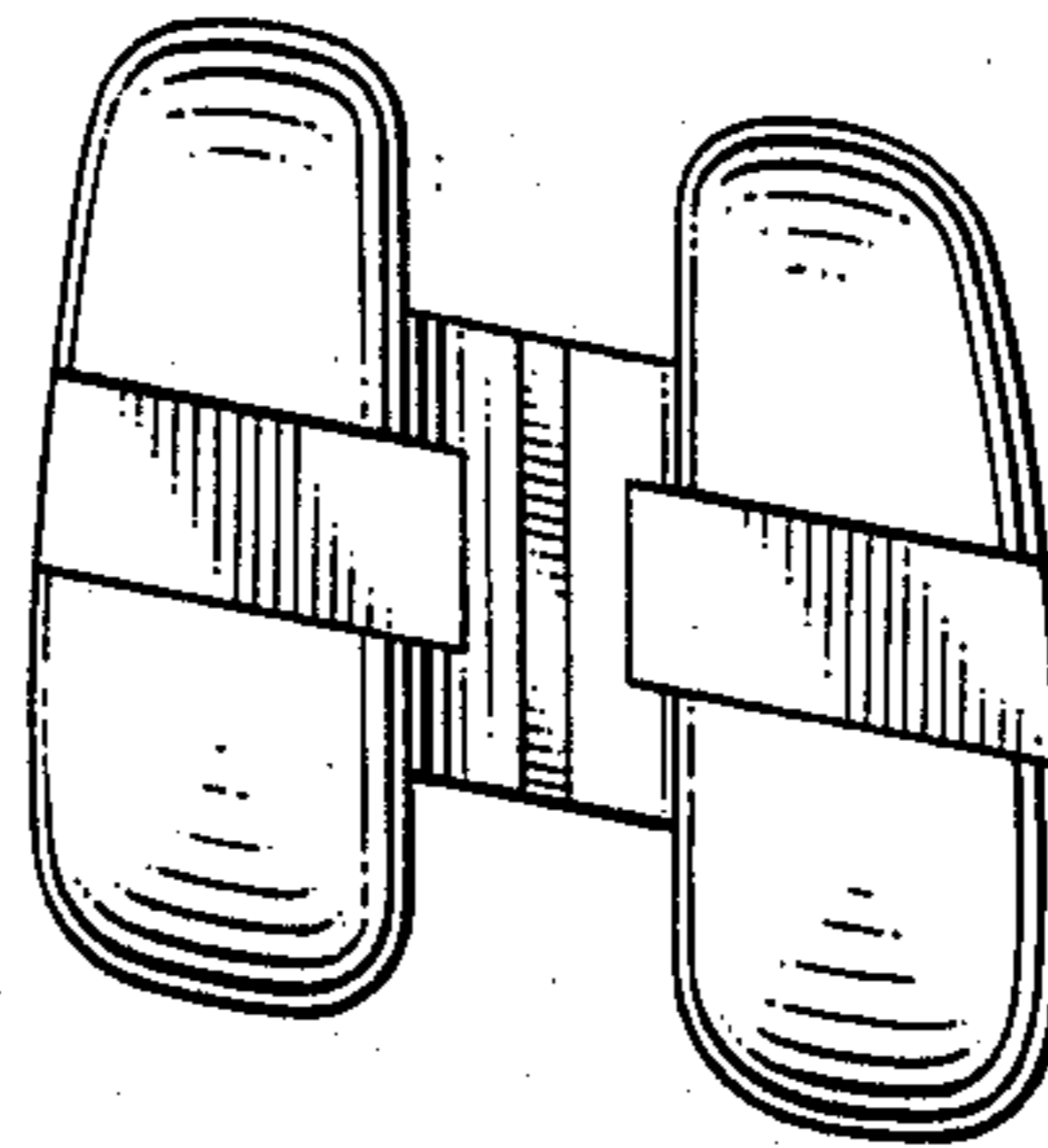
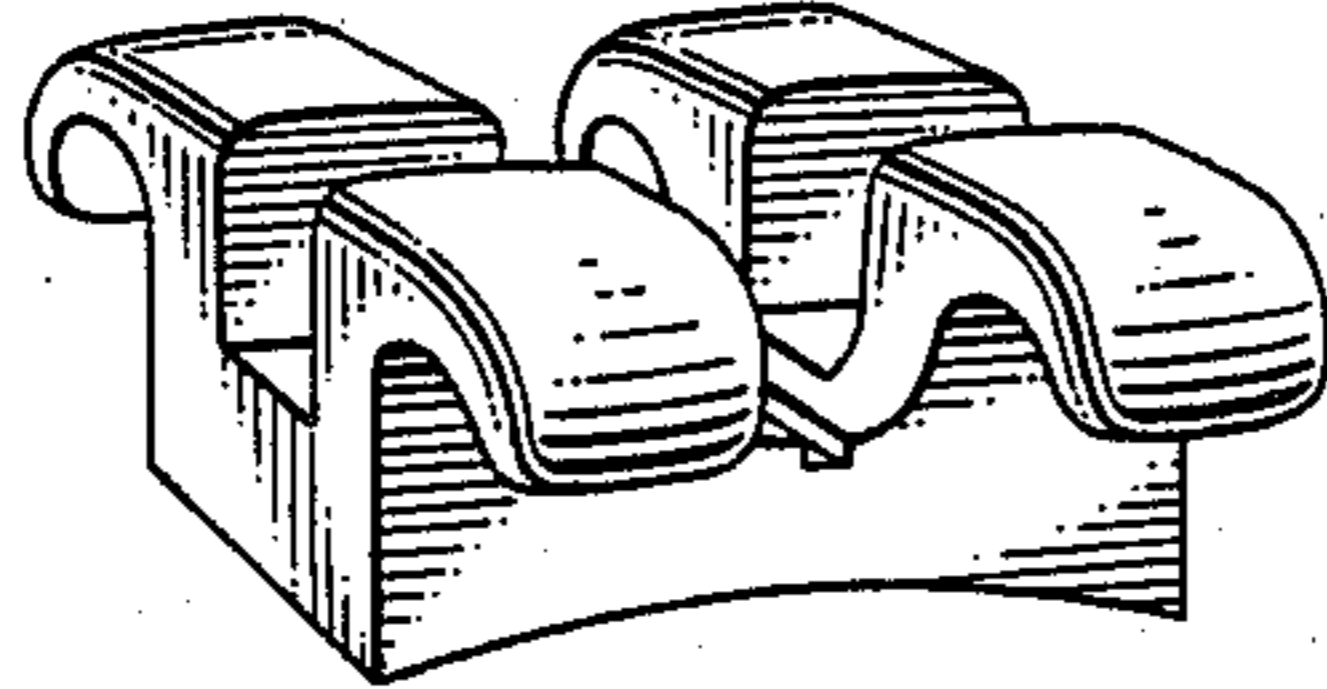
Primary Examiner—Wallace R. Burke  
Assistant Examiner—Brian N. Vinson  
Attorney, Agent, or Firm—Fulwider, Patton, Lee & Utecht

[57] CLAIM

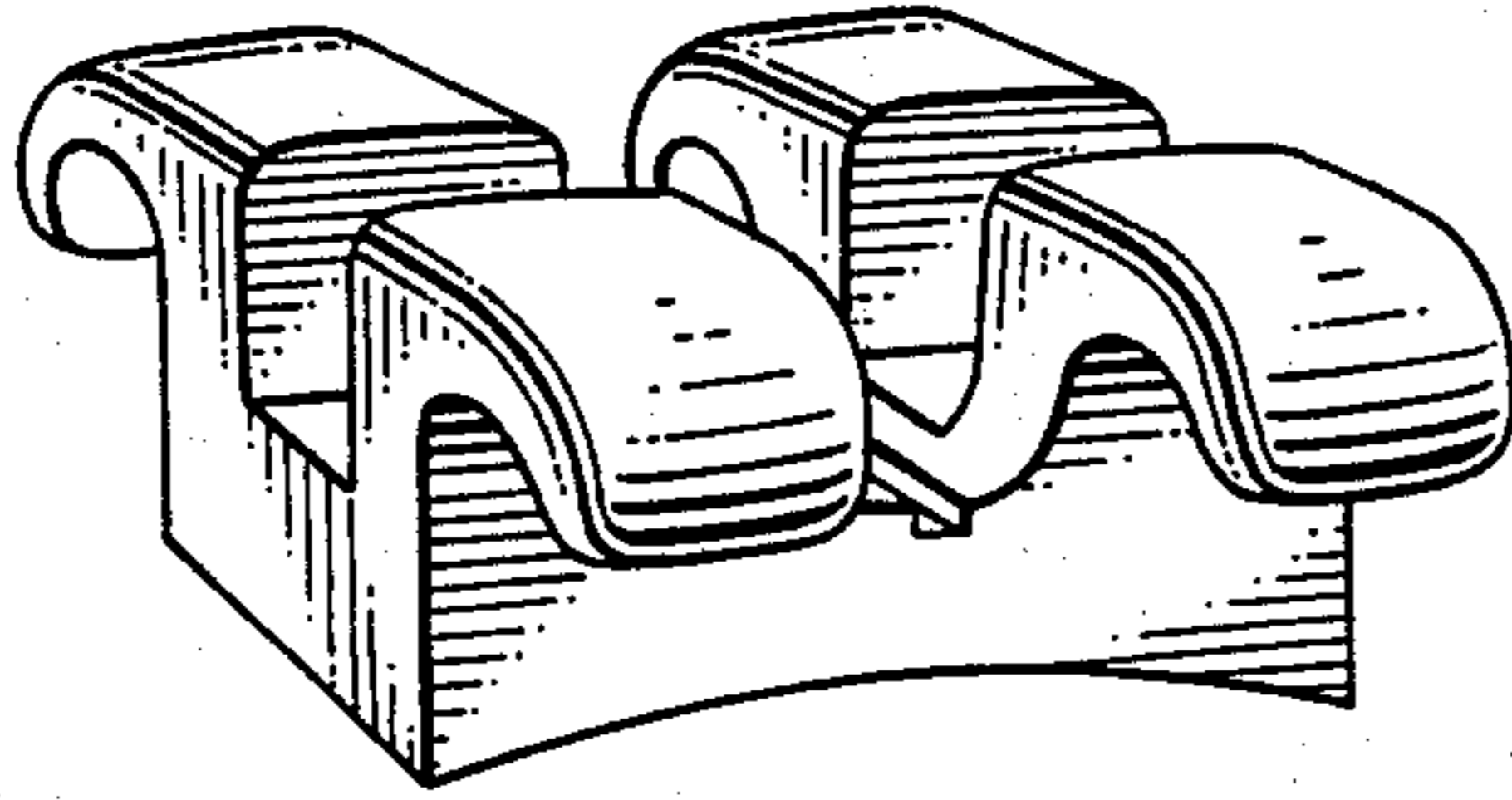
The ornamental design for an orthodontic bracket, as shown and described.

DESCRIPTION

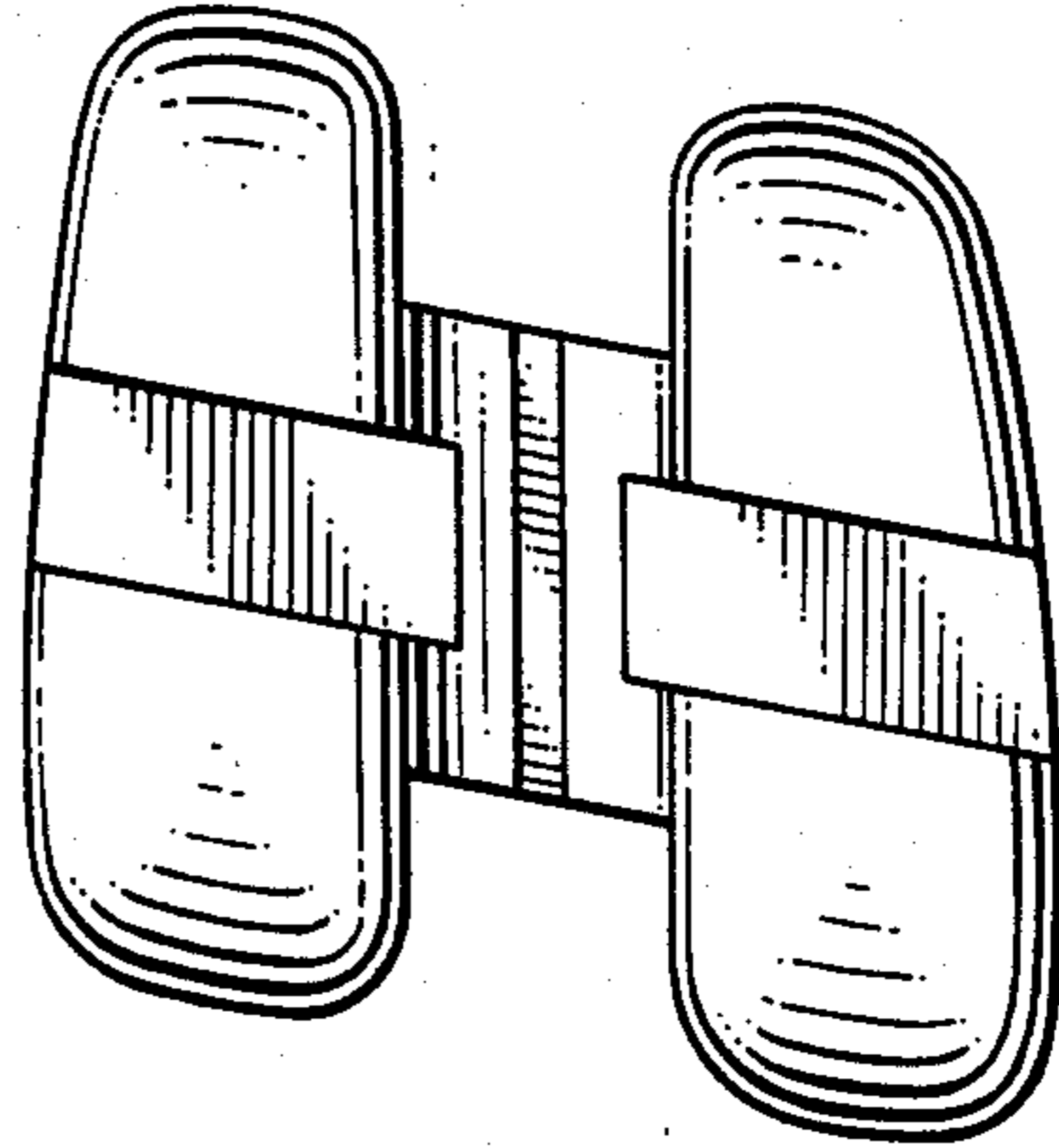
FIG. 1 is a top, front and left side perspective view of an orthodontic bracket showing my new design; FIG. 2 is a top plan view thereof; FIG. 3 is a front elevational view thereof; FIG. 4 is a left side elevational view thereof; FIG. 5 is a right side elevational view thereof; FIG. 6 is a rear elevational view thereof; FIG. 7 is a bottom plan view thereof; and FIG. 8 is a reduced top plan view thereof with the broken line showing of the portion of the tooth being for illustrative purposes only and forming no part of the claimed design.



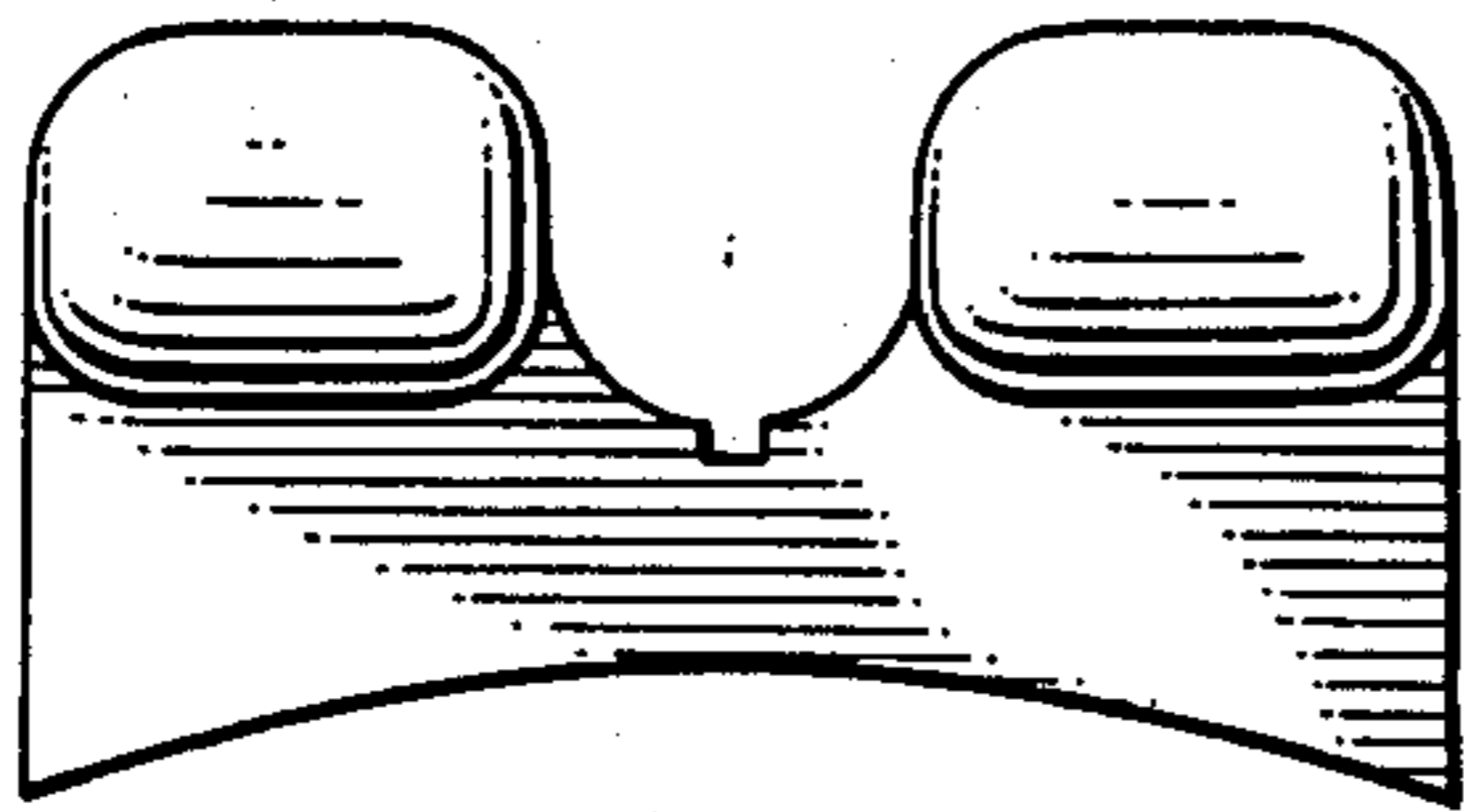
*Fig. 1*



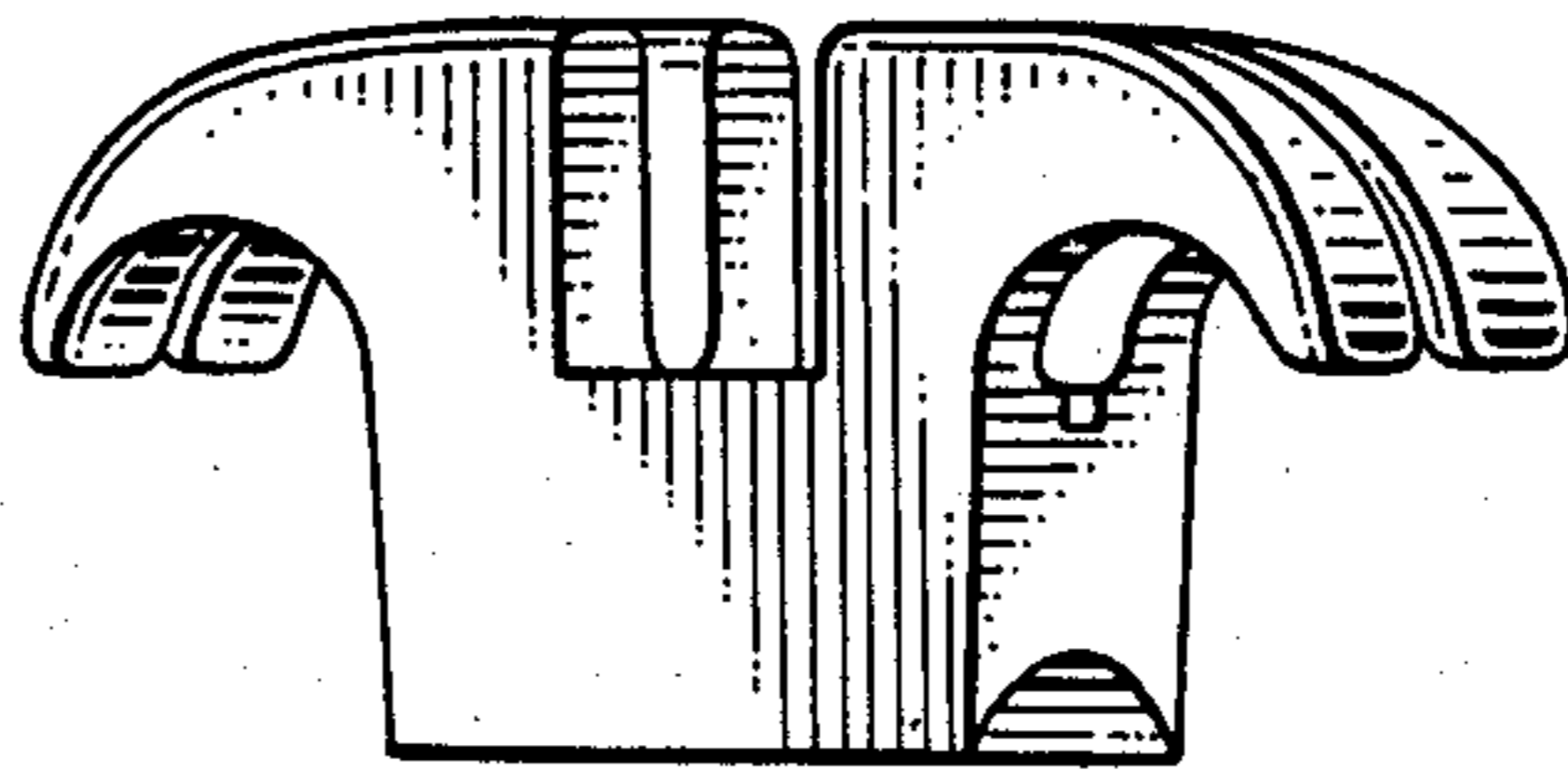
*Fig. 2*



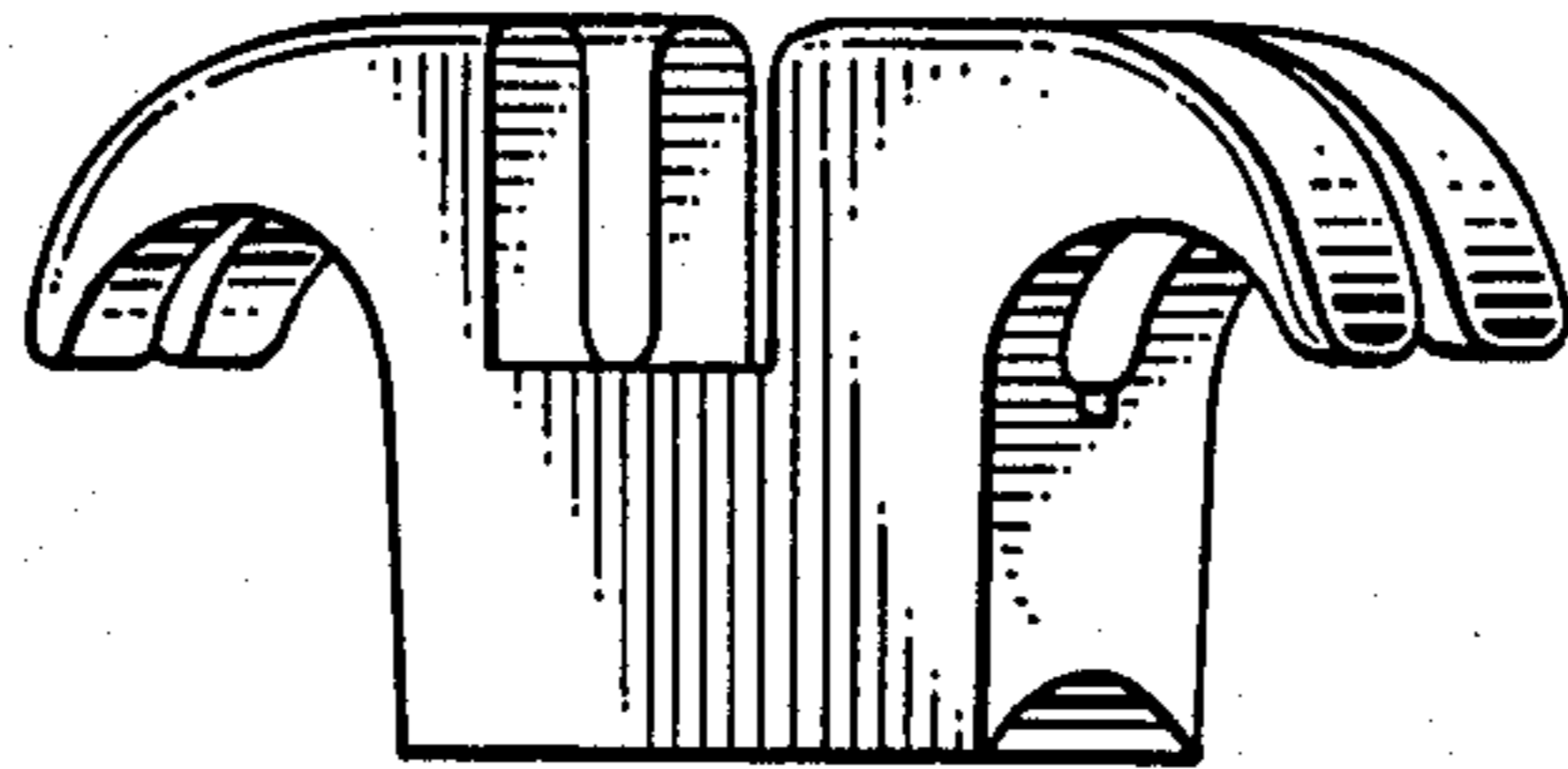
*Fig. 3*



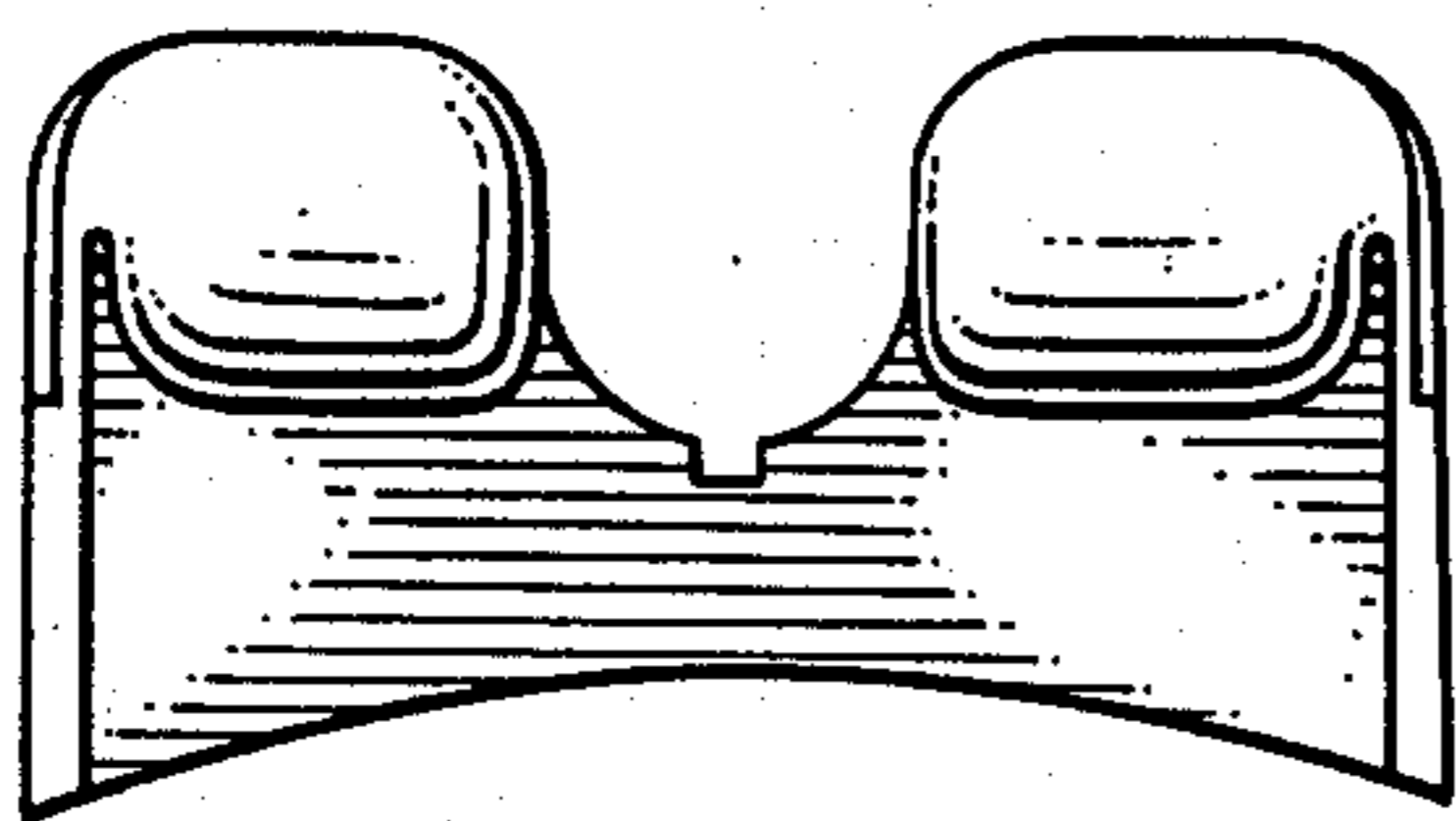
*Fig. 4*



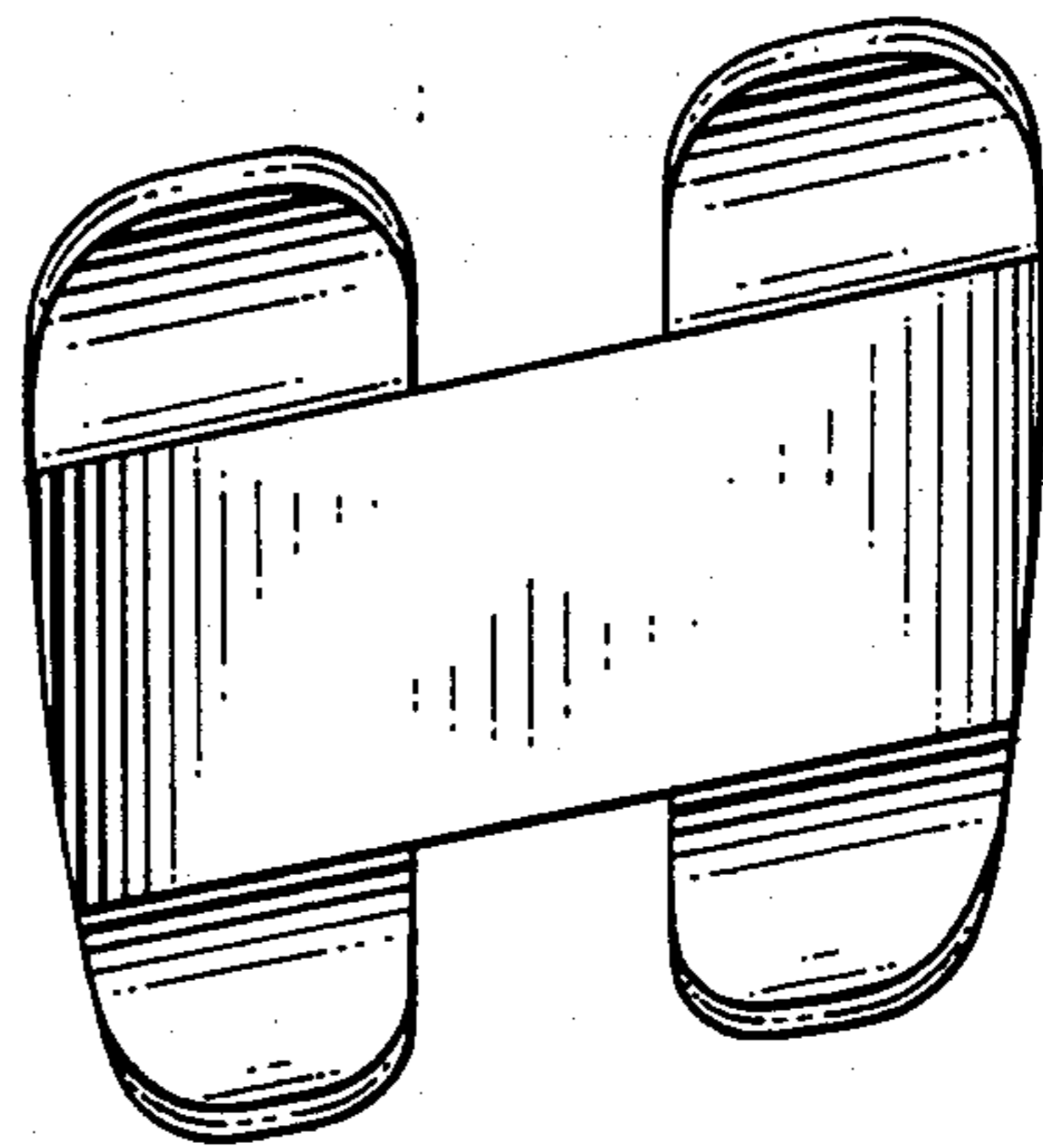
*Fig. 5*



*Fig. 6*



*Fig. 7*



*Fig. 8*

