

[54] DENTAL IRRIGATOR UNIT

[75] Inventors: Jon R. Zogg, Brooklyn, N.Y.; John P. Curtis, Piscataway, N.J.

[73] Assignee: Colgate-Palmolive Company, Piscataway, N.J.

[\*\*] Term: 14 Years

[21] Appl. No.: 61,984

[22] Filed: Jun. 8, 1987

[52] U.S. Cl. .... D24/15; D24/10

[58] Field of Search ..... D24/4-5, D24/10-16; 433/25, 77, 79, 80, 82, 84-87, 89; 128/66

[56] References Cited

U.S. PATENT DOCUMENTS

D. 270,000	8/1983	Ketler	.....	D24/15
3,393,673	7/1968	Mattingly	.....	128/66
3,425,410	2/1969	Cammack	.....	128/66
3,703,037	11/1972	Robinson	.....	D24/15 X

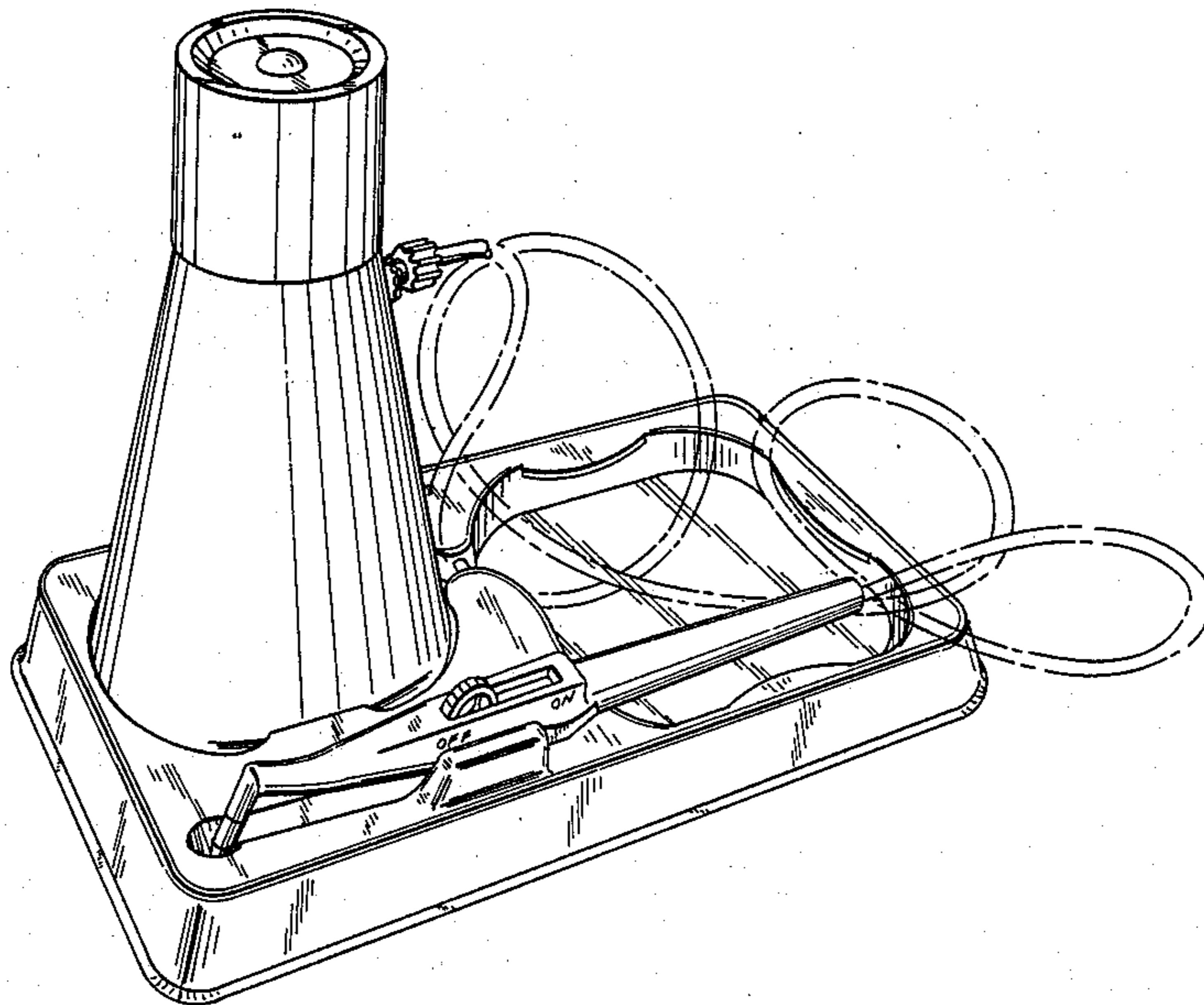
Primary Examiner—Wallace R. Burke  
Assistant Examiner—Brian N. Vinson  
Attorney, Agent, or Firm—Richard J. Ancel; Murray M. Grill; Robert C. Sullivan

[57] CLAIM

The ornamental design for a dental irrigator unit, as shown and described.

DESCRIPTION

FIG. 1 is a top, front and left side perspective view of a dental irrigator unit showing our new design; FIG. 2 is a front elevational view thereof; FIG. 3 is a rear elevational view thereof; FIG. 4 is a left side elevational view thereof; FIG. 5 is a right side elevational view thereof; FIG. 6 is a top plan view thereof; FIG. 7 is a bottom plan view thereof; and, FIG. 8 is a top, front and left side perspective view thereof with the storage tray portion shown omitted for clarity of illustration. The broken-line showing of the tube element in the views is for illustrative purposes only and forms no part of the claimed design.



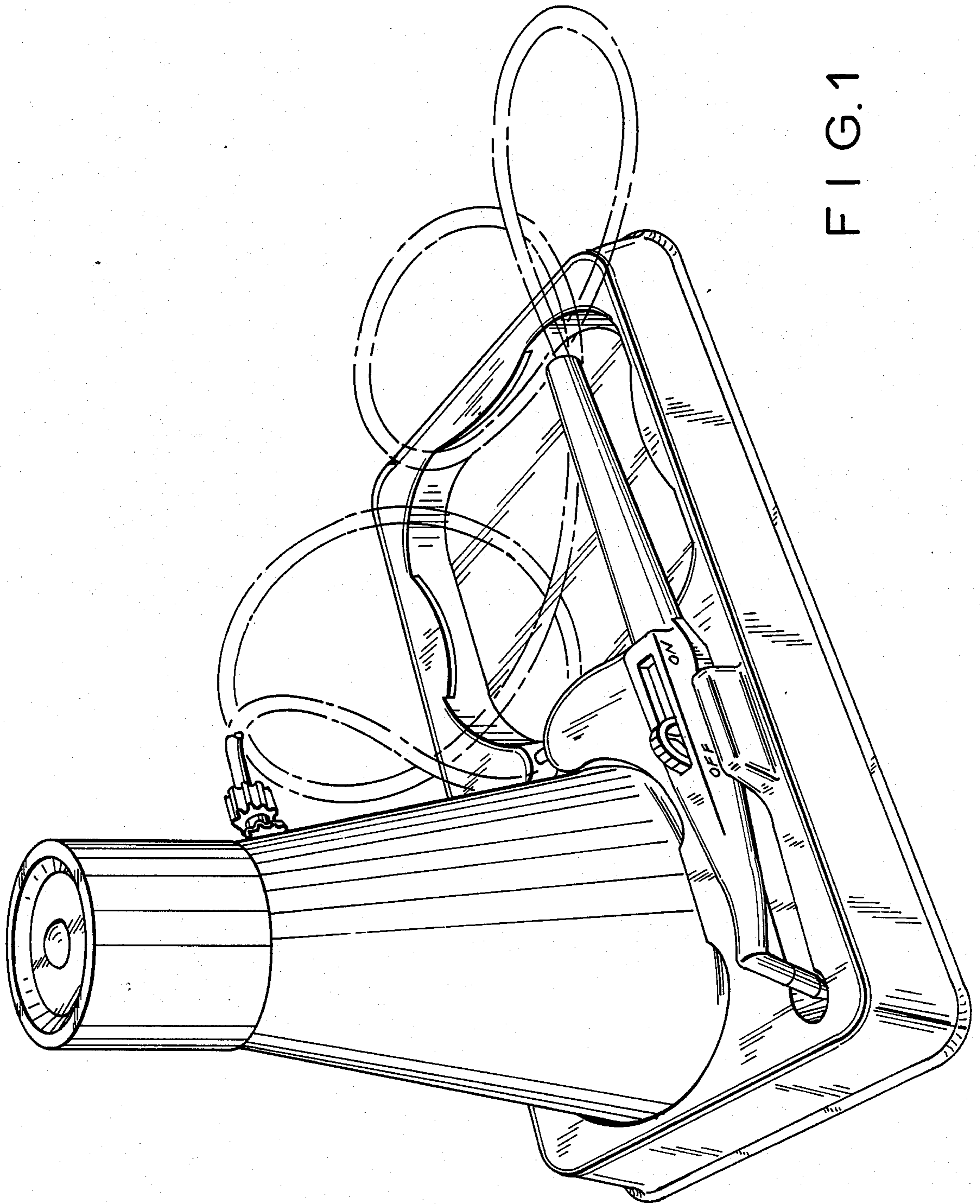
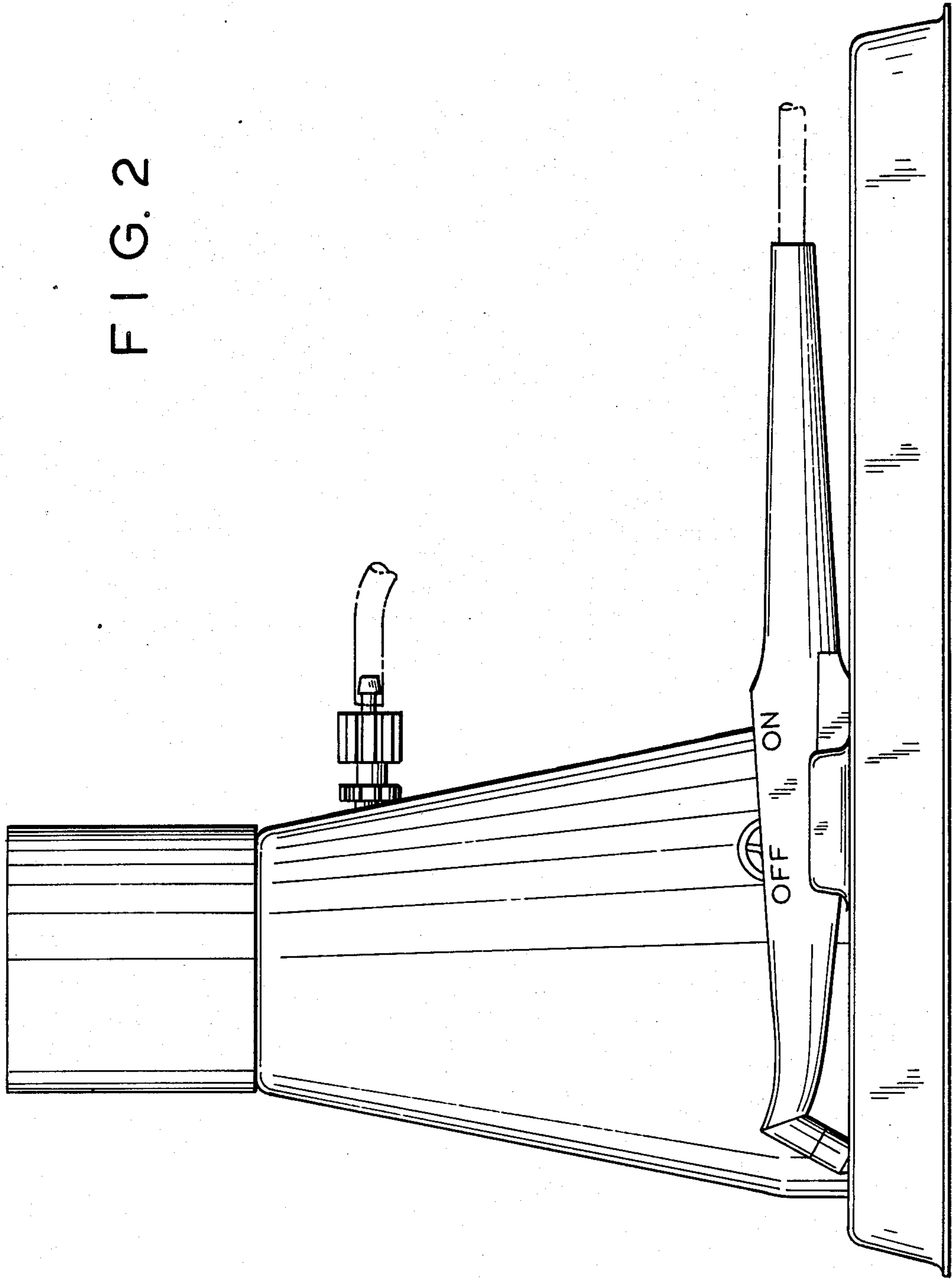


FIG. 1

FIG. 2



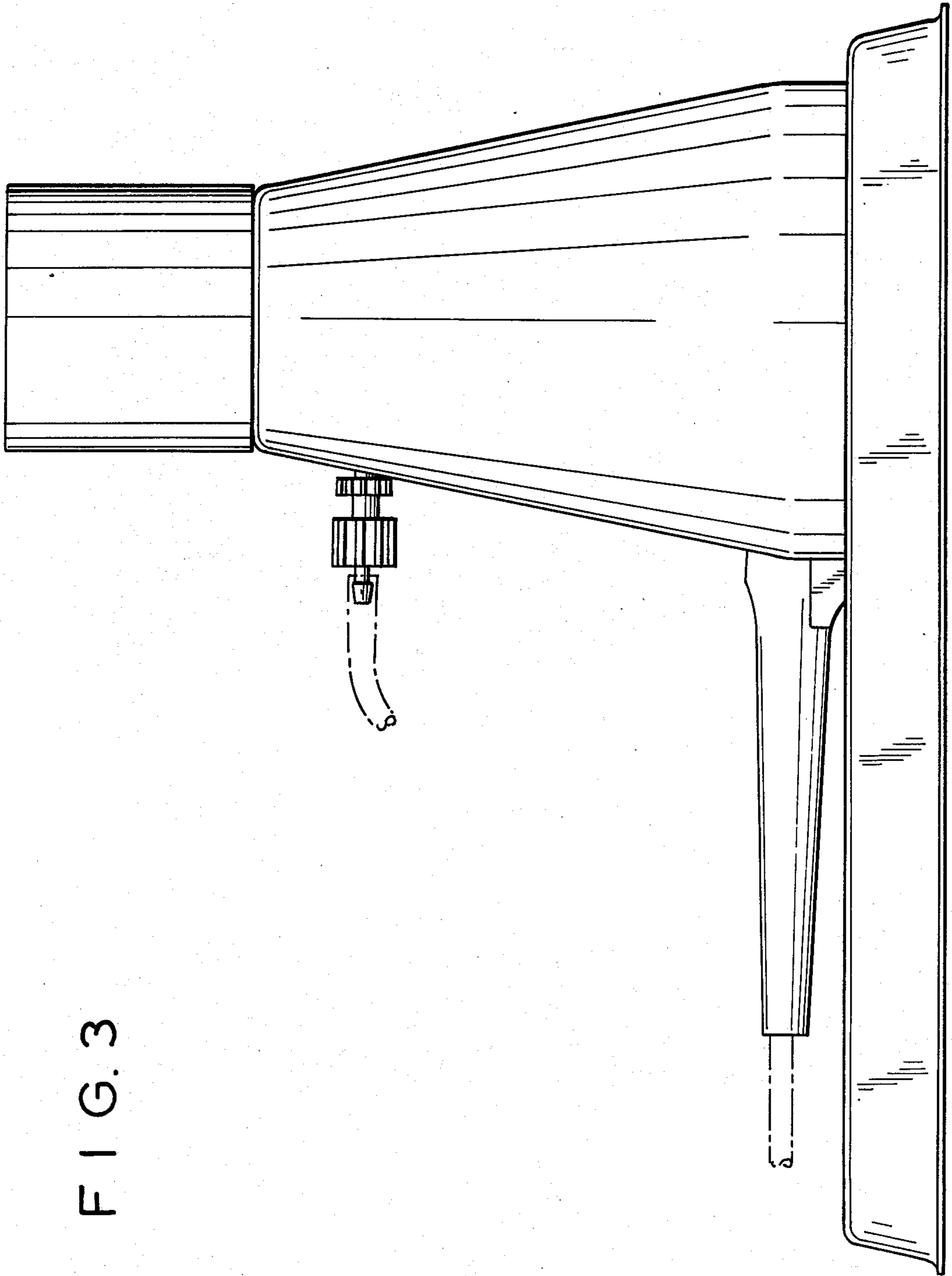


FIG. 3

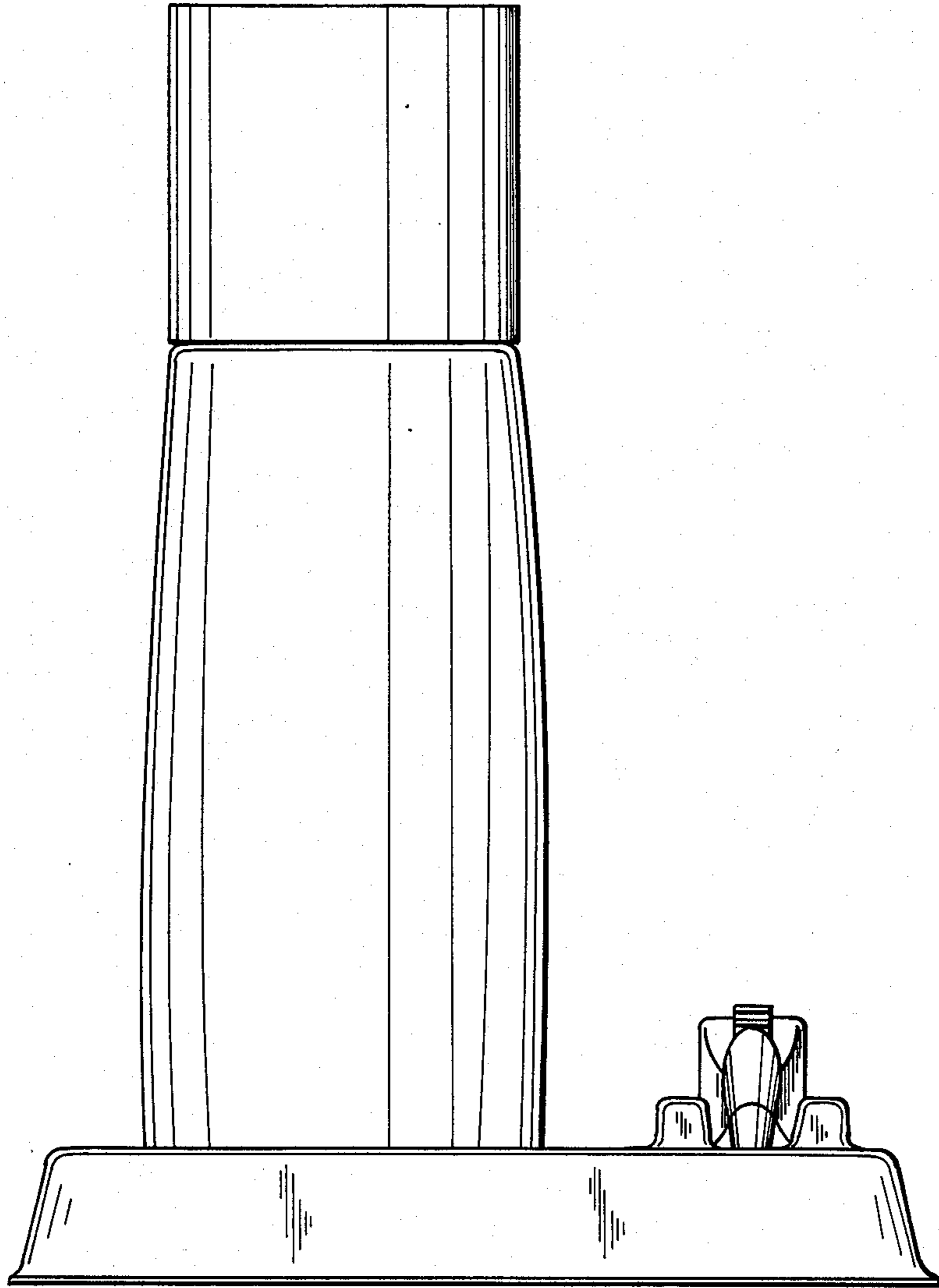


FIG. 4

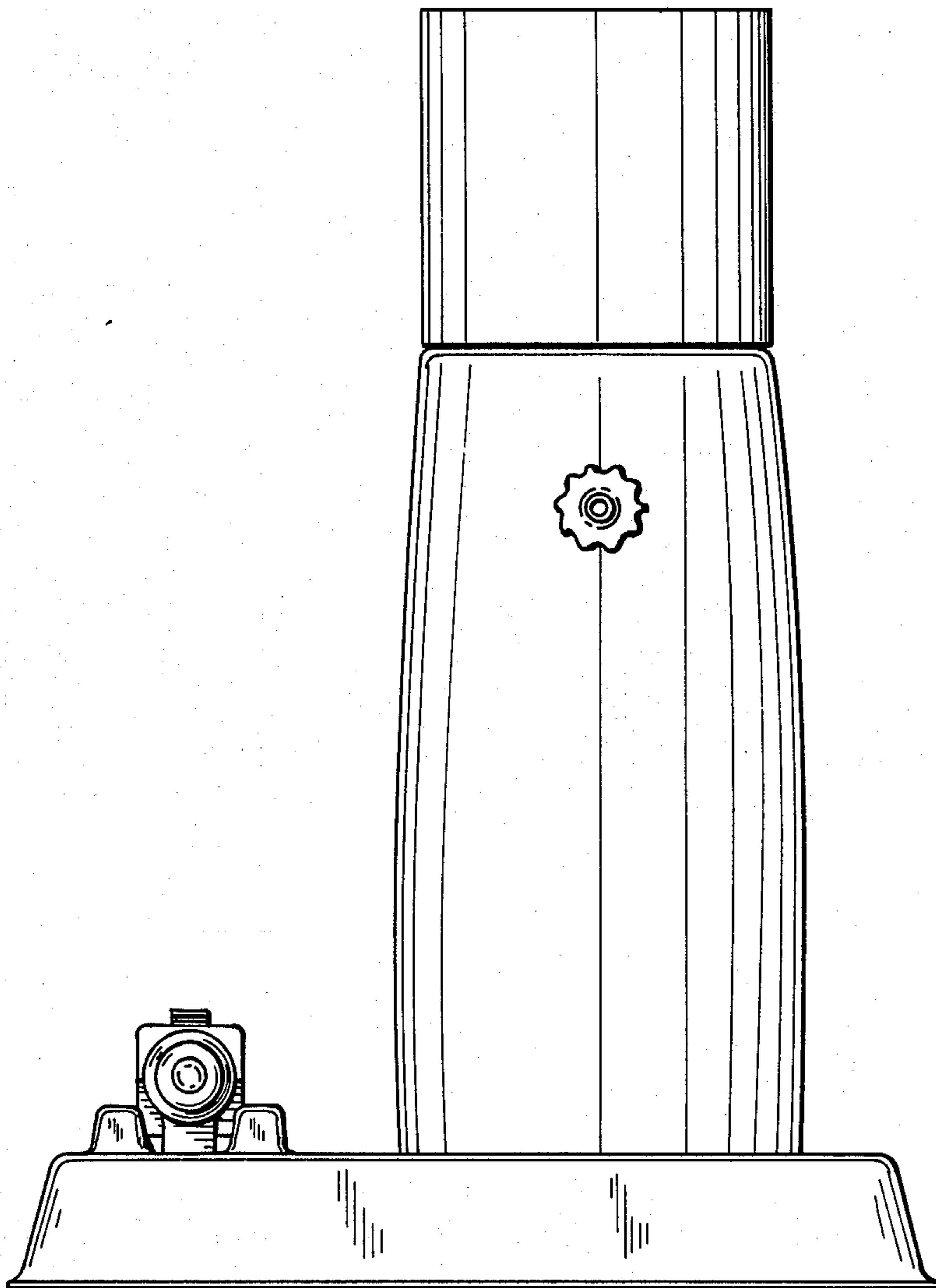


FIG. 5

FIG. 6

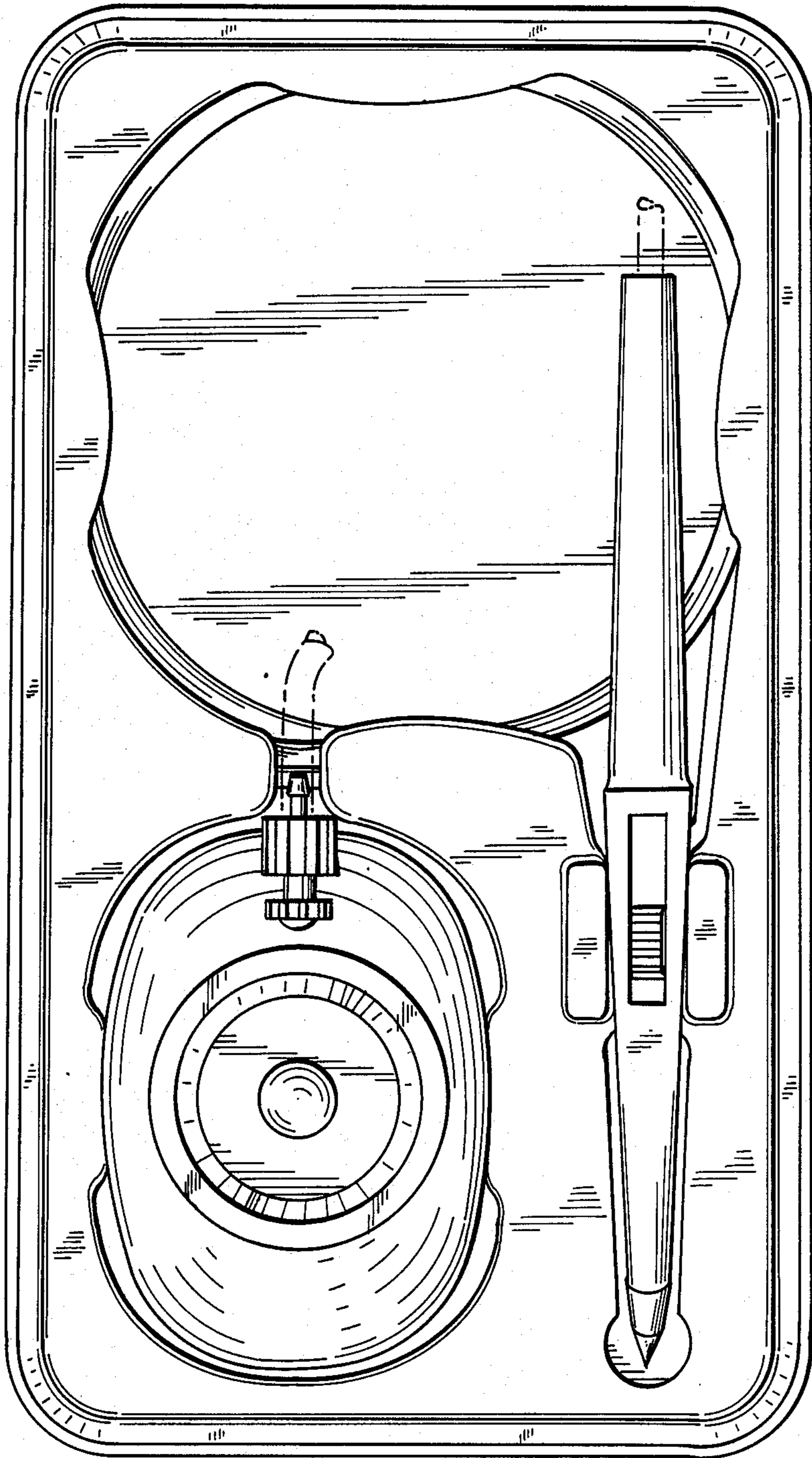
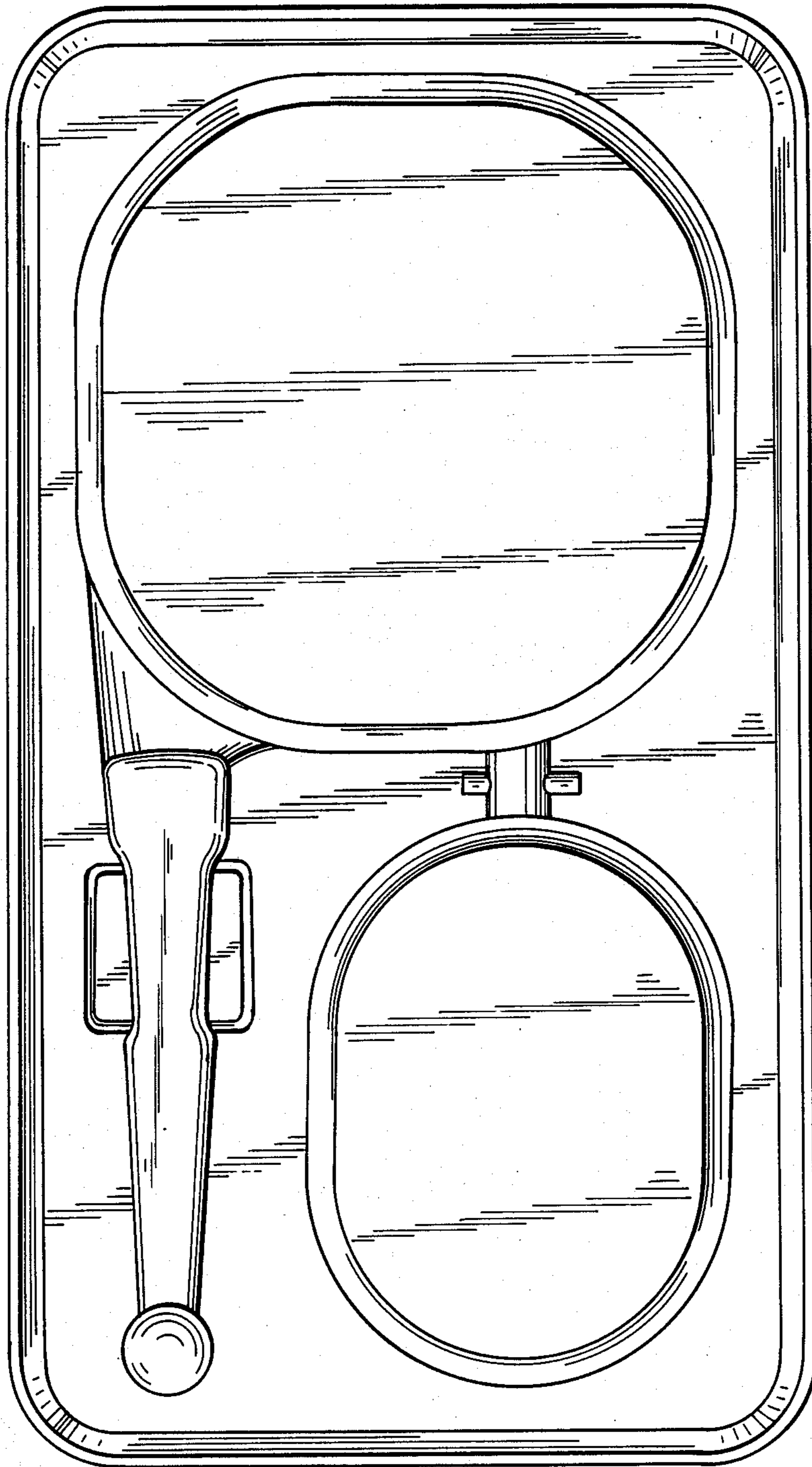


FIG. 7





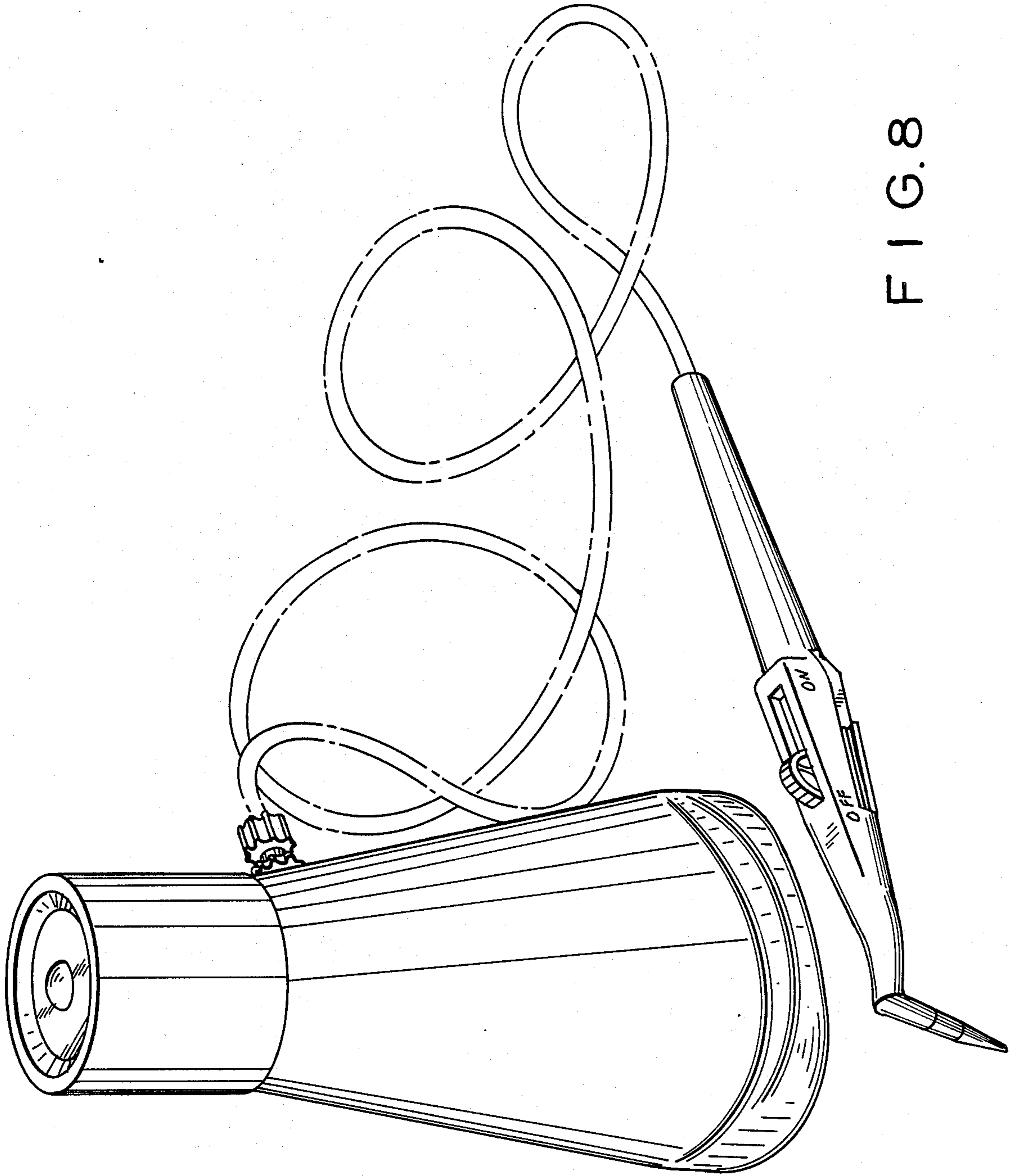


FIG. 8