

[54] **AUTOMATIC TOILET BOWL CLEANER** 4,431,394 2/1984 Collett et al. D7/43 X

[75] Inventor: **Gregory M. Gatarz**, East Brunswick, N.J.

[73] Assignee: **Boyle-Midway Household Products, Inc.**, N.Y.

[**] Term: **14 Years**

[21] Appl. No.: **926,261**

[22] Filed: **Oct. 30, 1986**

[52] U.S. Cl. **D23/208**

[58] Field of Search **D32/35; 4/222-228; 422/263-264, 275-279; D7/43-44; D23/366-369, 206-208; D26/4; 239/54, 60; D21/108; 252/93**

[56] **References Cited**

U.S. PATENT DOCUMENTS

D. 136,782	12/1943	Kleinberg	D7/43
D. 210,310	2/1968	Levin	D7/44
4,043,931	8/1977	Jeffrey et al.	252/93
4,350,666	9/1982	Klutts	422/264

OTHER PUBLICATIONS

Kiwi Brands Inc., advertisement for an Automatic Toilet Bowl Cleaner, described in U.S. Pat. No. 4,043,931.

Primary Examiner—Wallace R. Burke
Assistant Examiner—Lavone D. Tabor
Attorney, Agent, or Firm—Arthur E. Wilfond

[57] **CLAIM**

The ornamental design for an automatic toilet bowl cleaner, as shown and described.

DESCRIPTION

FIG. 1 is a perspective view of an automatic toilet bowl cleaner showing my new design;
 FIG. 2 is an elevational view as seen from the top of FIG. 1;
 FIG. 3 is a side elevational view thereof, the opposite side being the same;
 FIG. 4 is an elevational view as seen from the bottom of FIG. 1; and
 FIG. 5 is a plan view opposite that shown in FIG. 1.

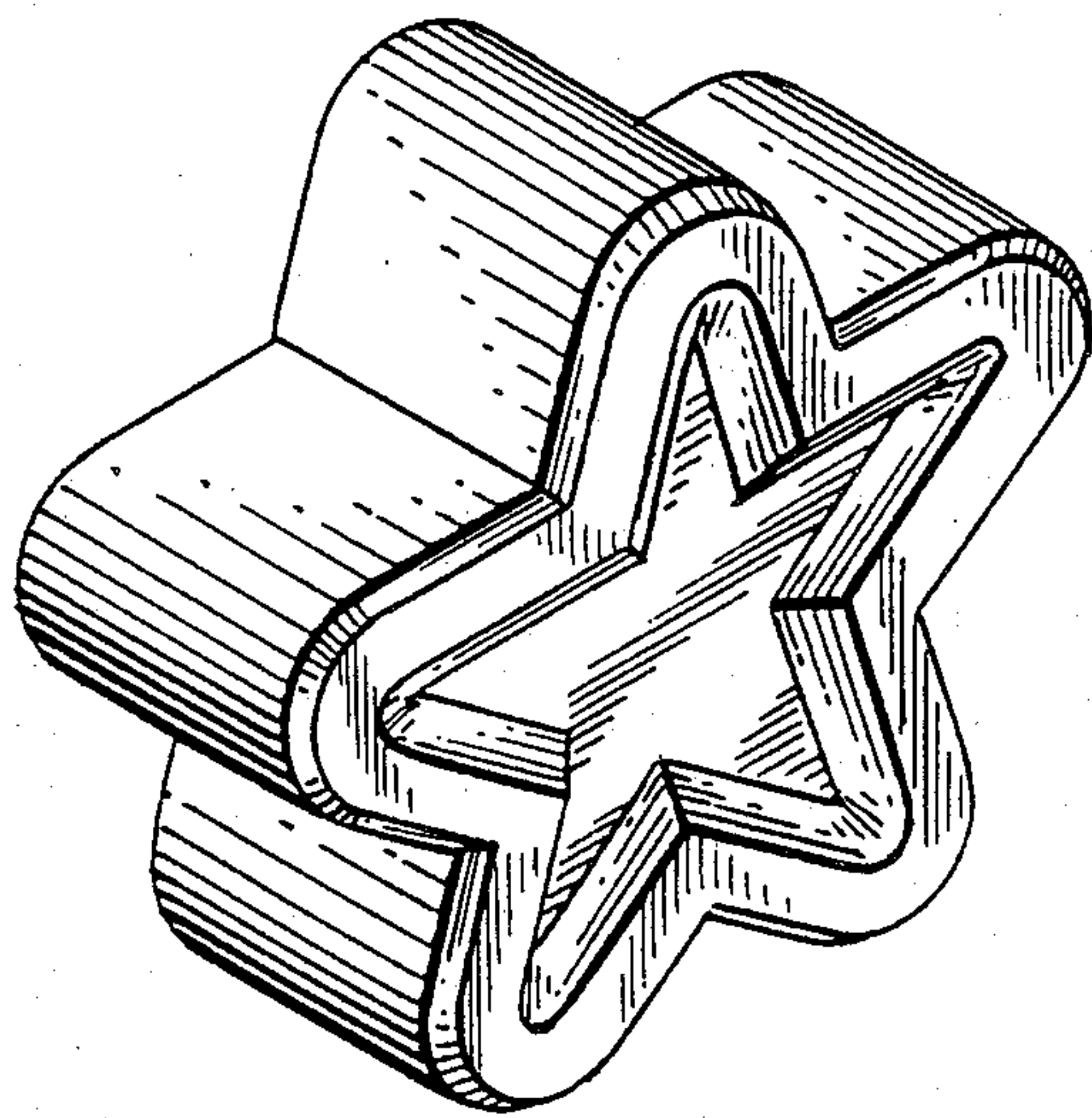


FIG. 1

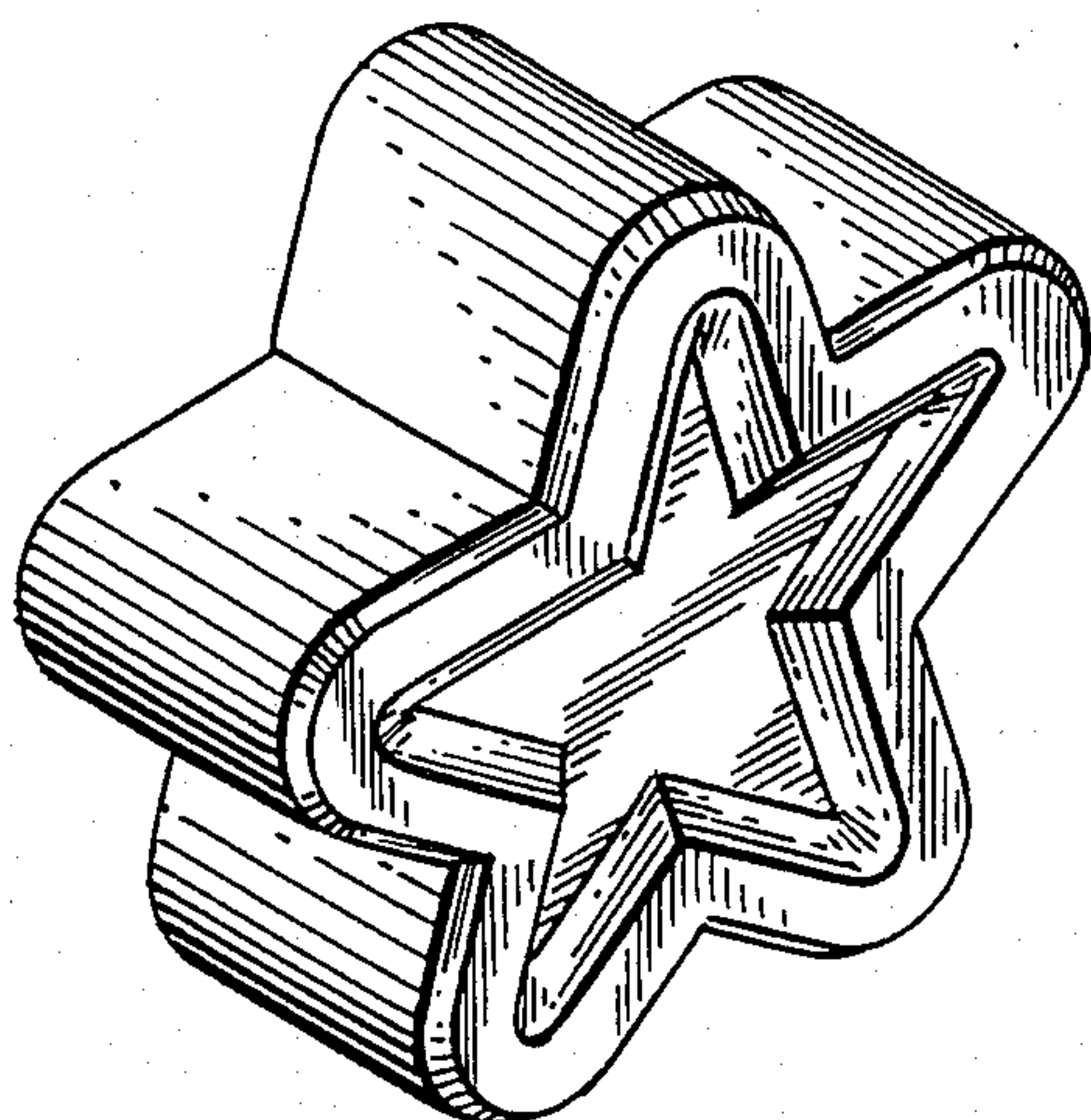


FIG. 2

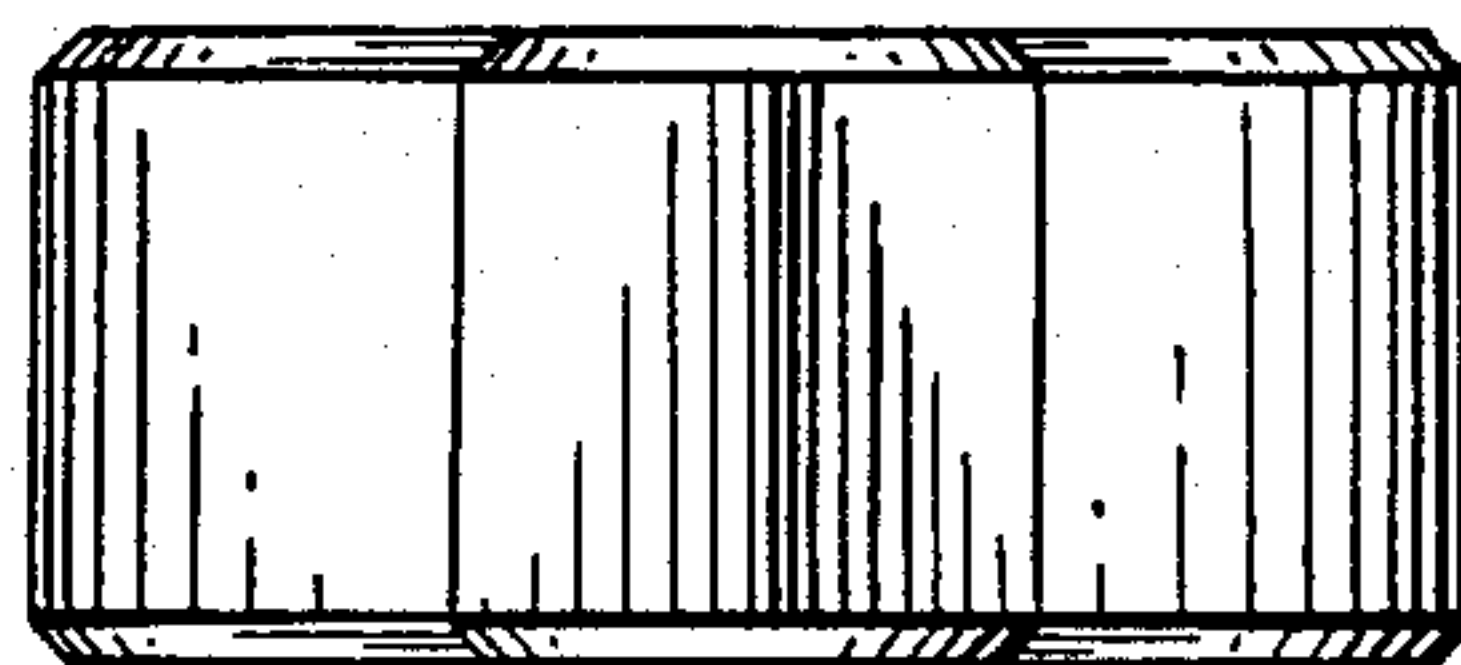


FIG. 4

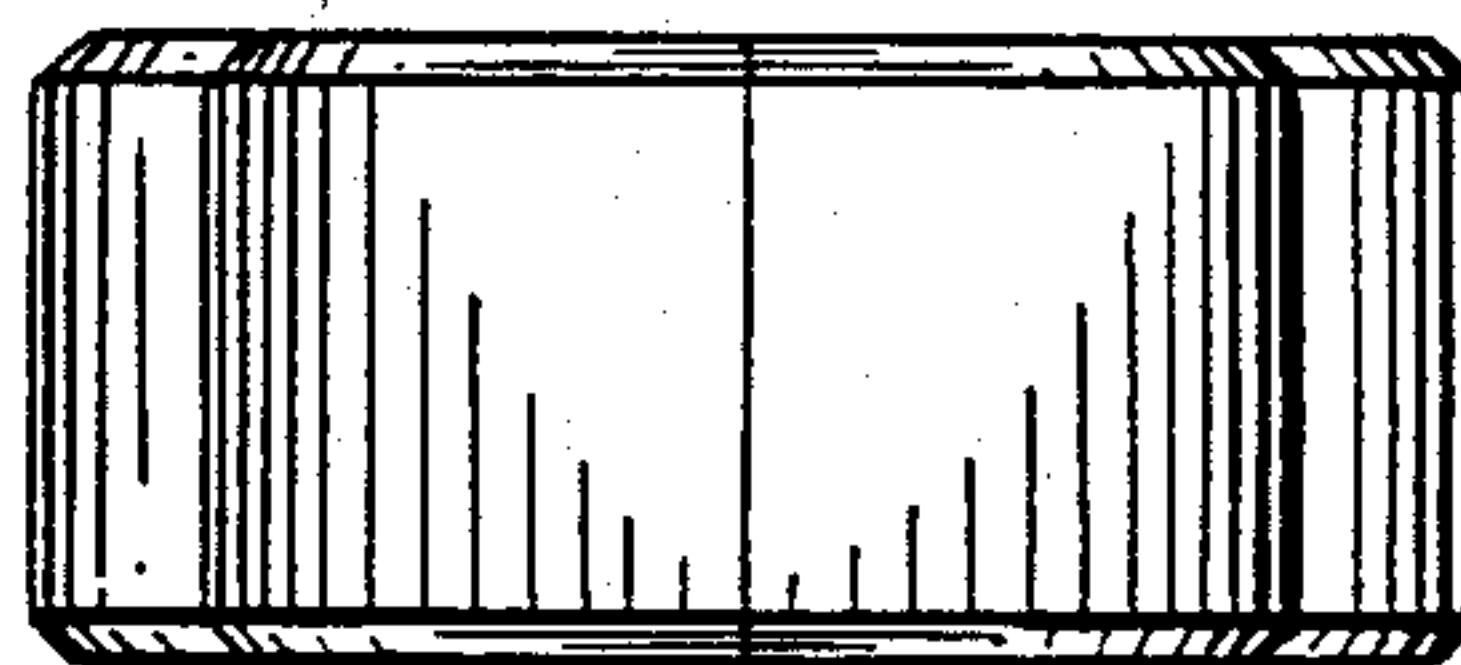


FIG. 3

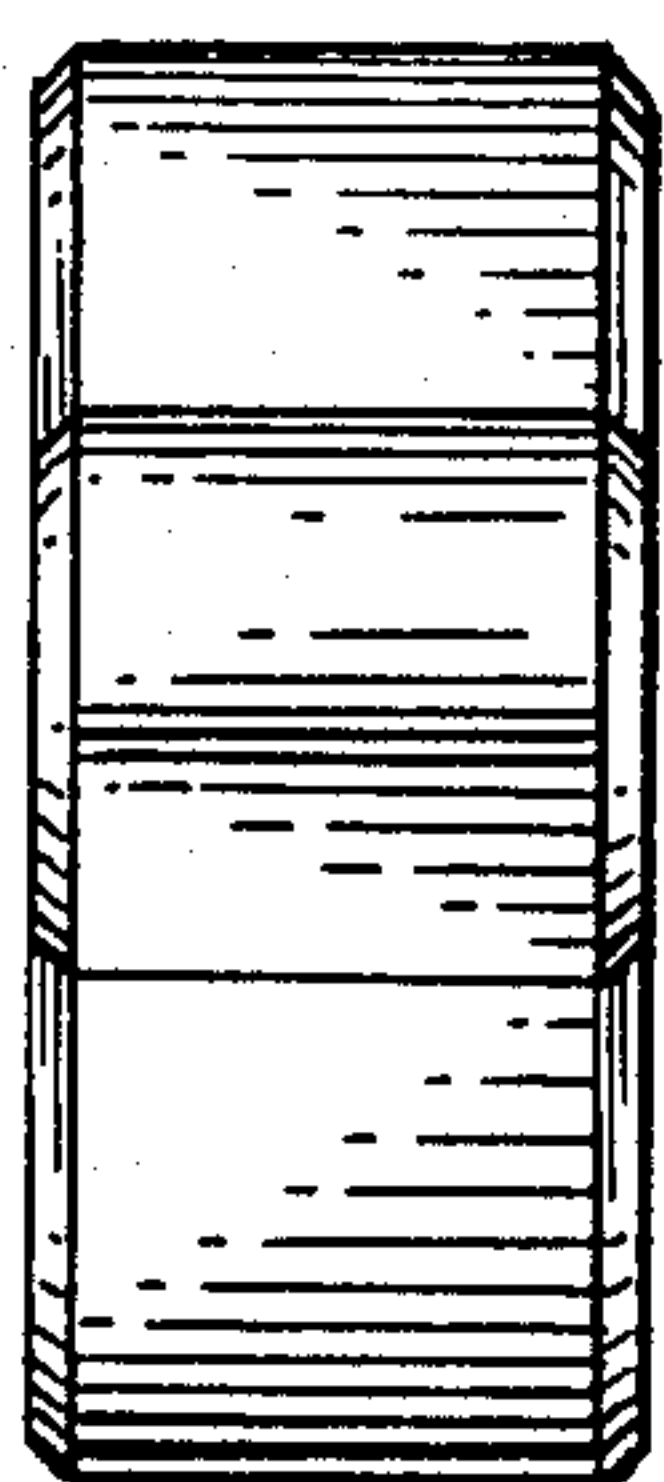


FIG. 5

