

[54] COASTER

1,444,238 2/1923 Davis 280/87.01
1,477,444 12/1923 Lazear D12/112

[76] Inventor: Jack A. McClellan, P.O. Box 316,
Burney, Calif. 96013

Primary Examiner—Charles A. Rademaker
Assistant Examiner—Alicia A. Farrell
Attorney, Agent, or Firm—John J. Leavitt

[**] Term: 14 Years

[21] Appl. No.: 937,133

[57] CLAIM

The ornamental design for a coaster, as shown and described.

[22] Filed: Dec. 1, 1986

[52] U.S. Cl. D21/76

[58] Field of Search D21/71, 73, 74, 76,
D21/78, 80; D34/16, 18; 280/1.12, 1.13, 1.21,
1.22, 87.01, 87.05; D12/112, 113

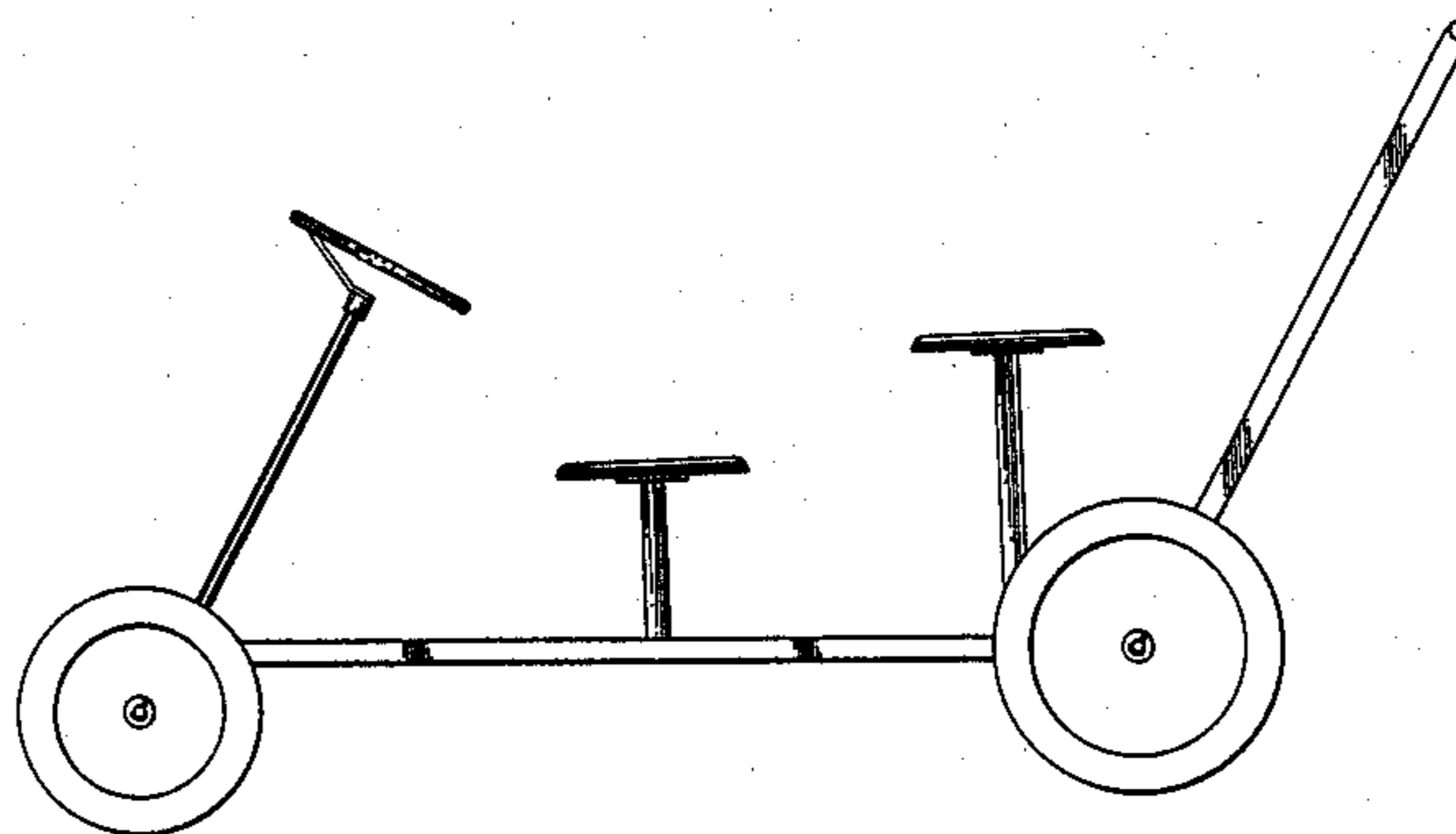
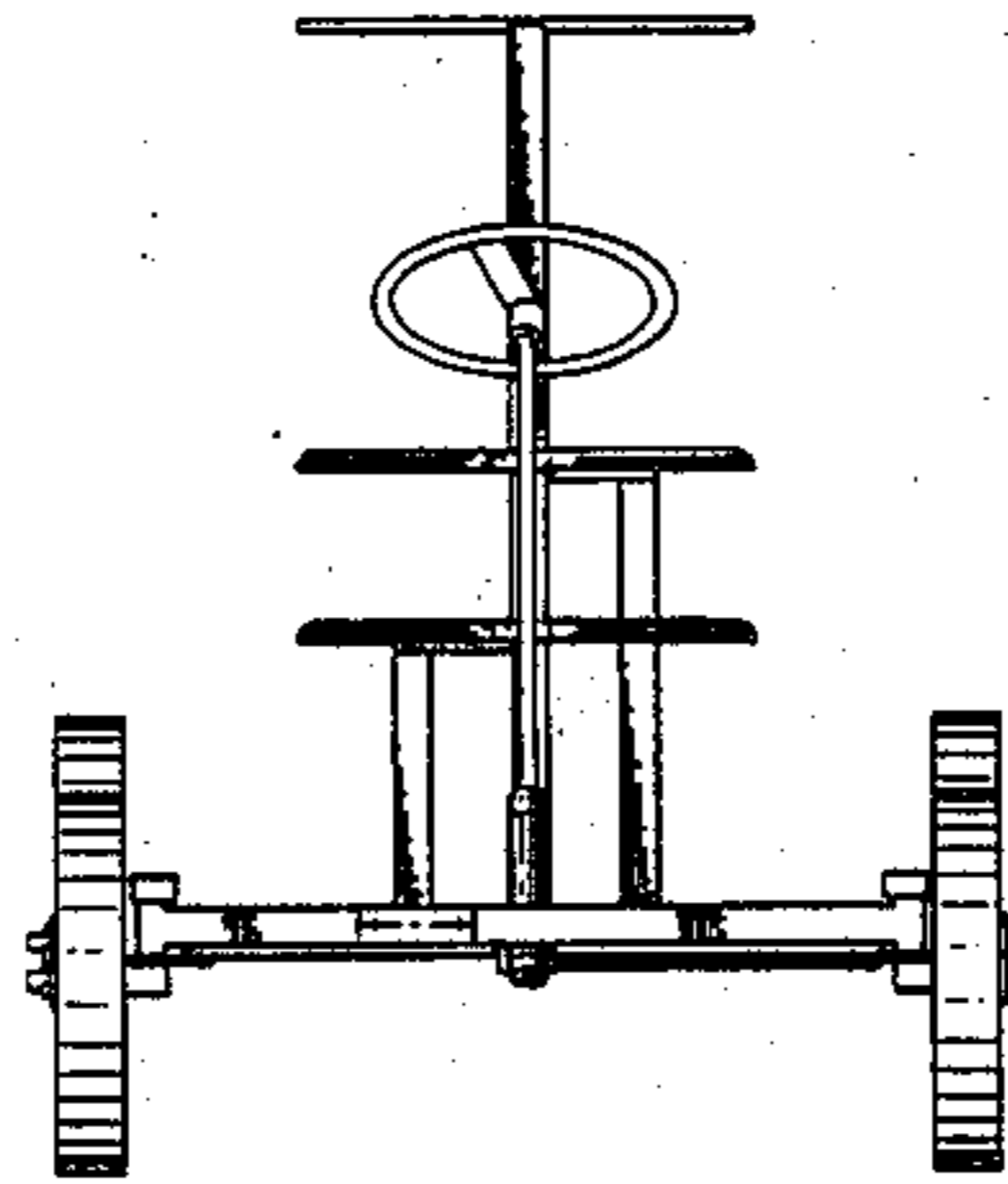
DESCRIPTION

FIG. 1 is a front elevational view of a coaster showing my new design;
FIG. 2 is a left side elevational view thereof;
FIG. 3 is a right side elevational view thereof;
FIG. 4 is a top plan view thereof;
FIG. 5 is a rear elevational view thereof; and,
FIG. 6 is a bottom plan view thereof.

[56] References Cited

U.S. PATENT DOCUMENTS

D. 71,011 9/1926 Fageol D21/71
D. 250,404 11/1978 Reese D12/113



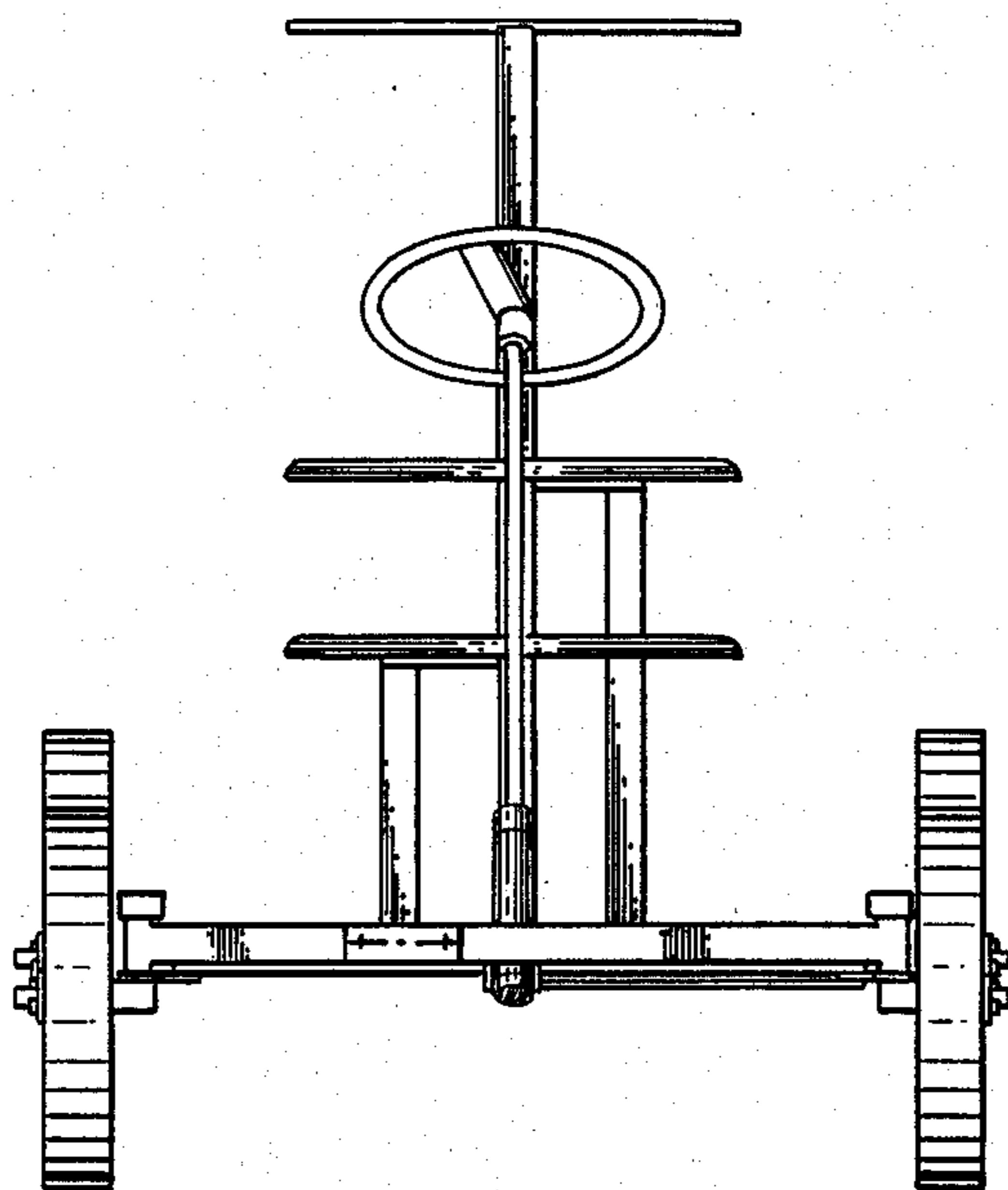


FIG. 1

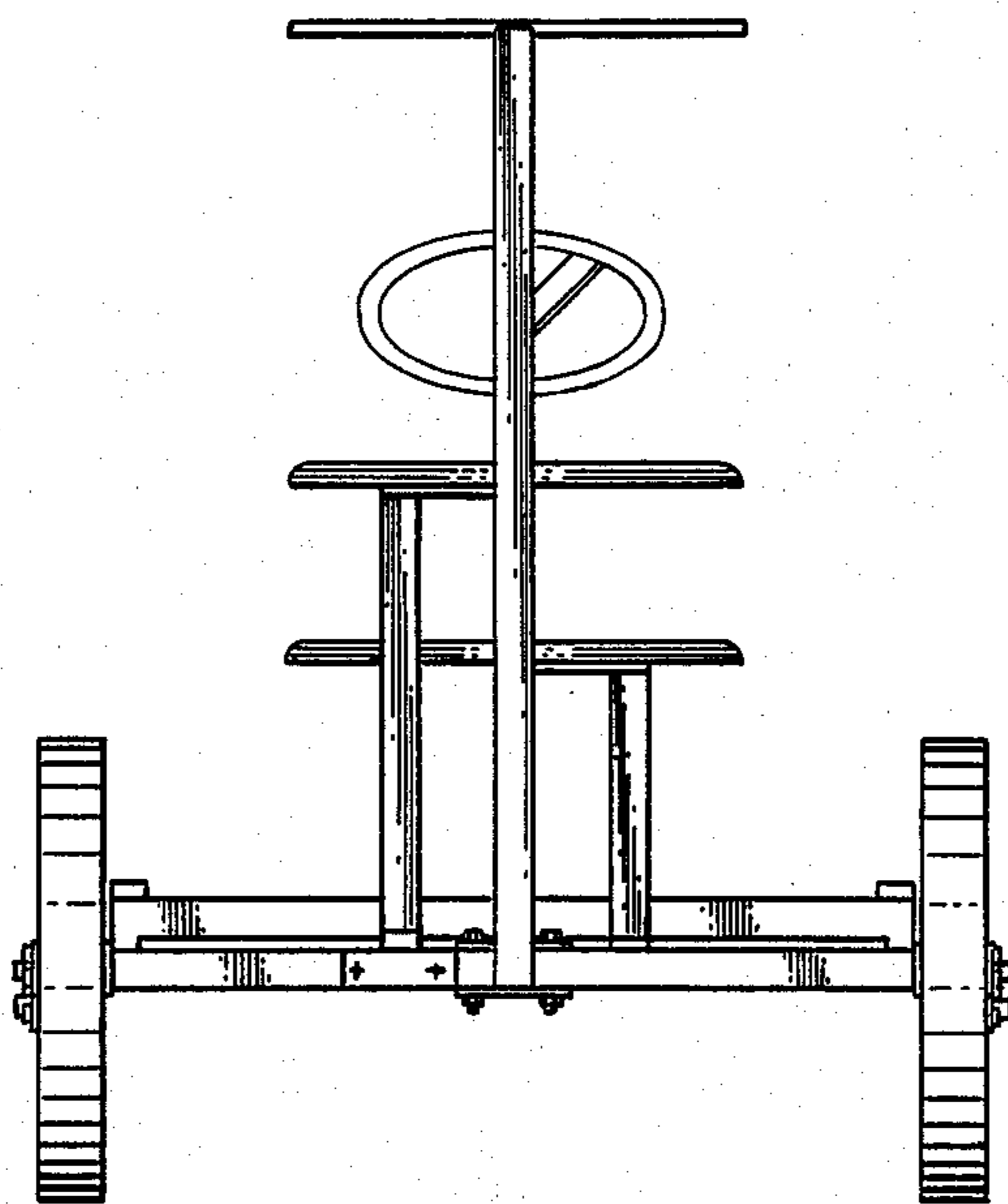


FIG. 5

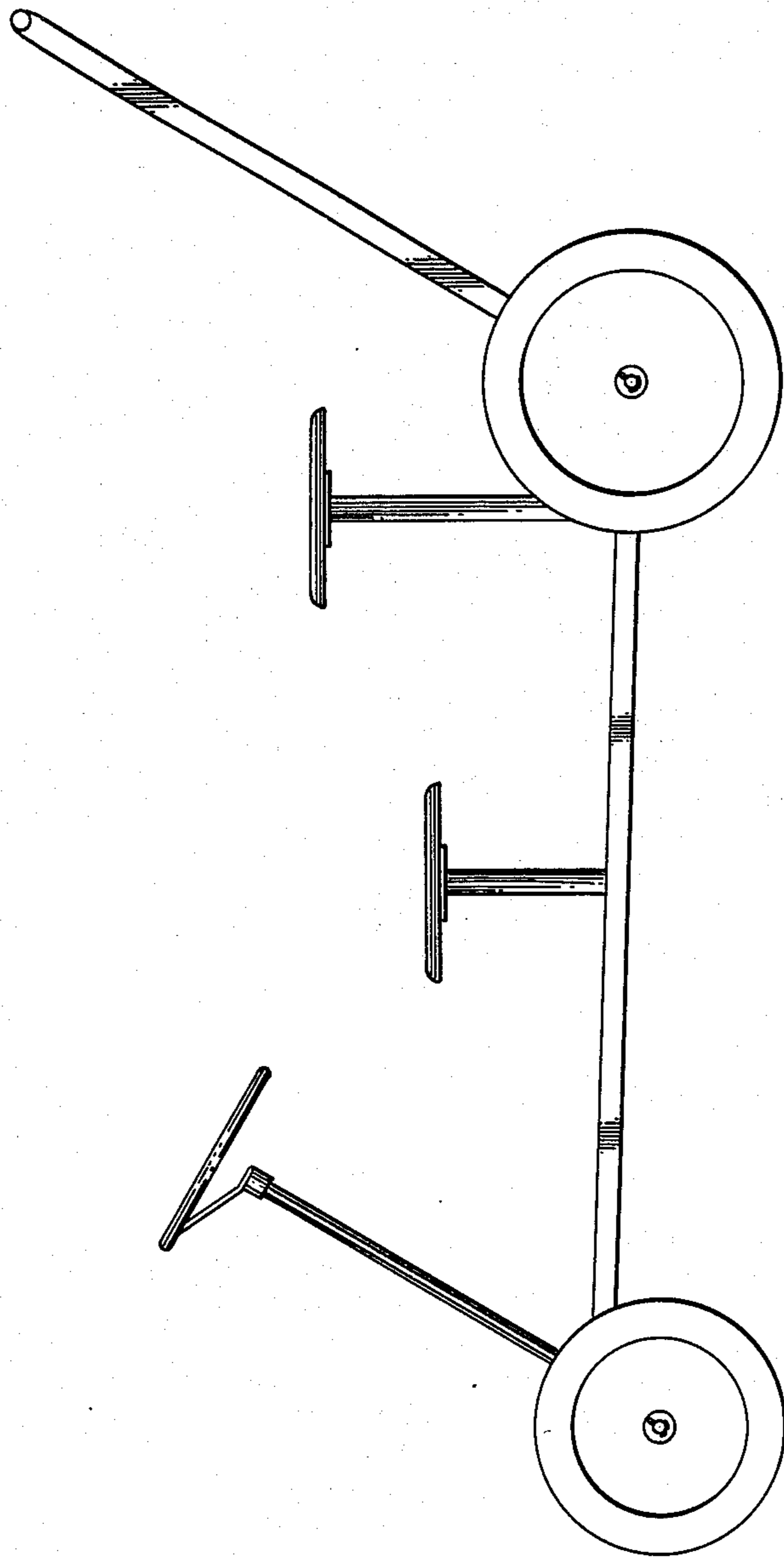


FIG. 2

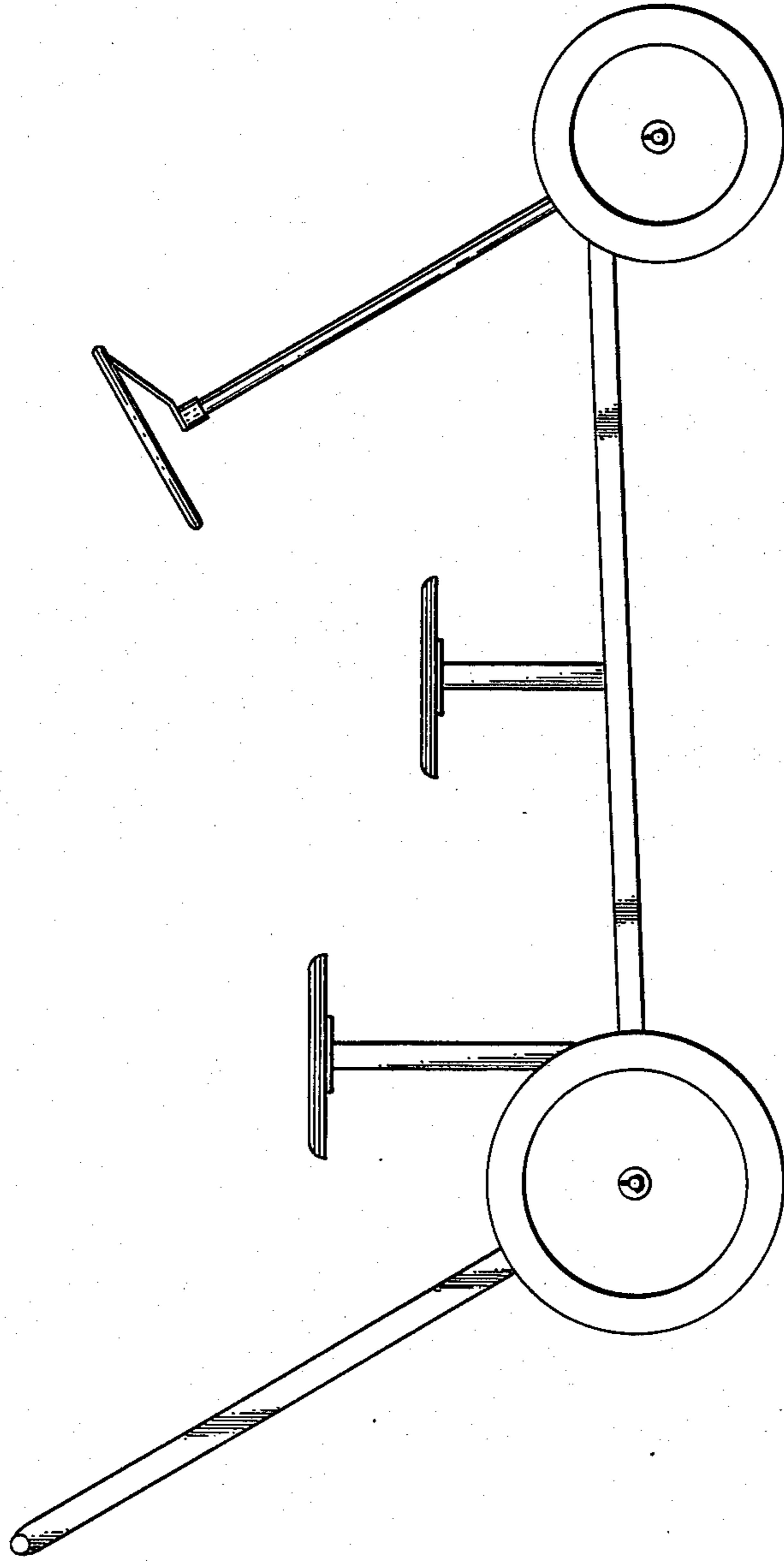


FIG. 3

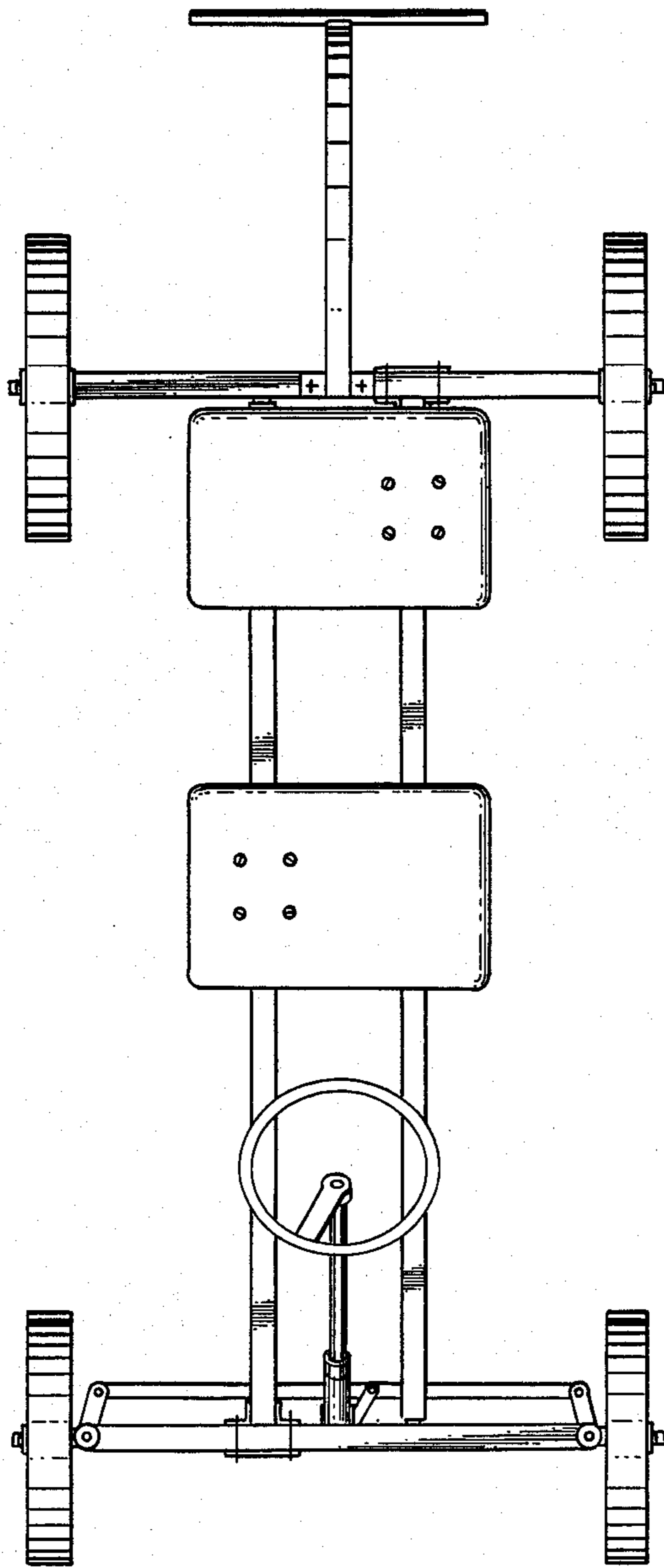


FIG. 4

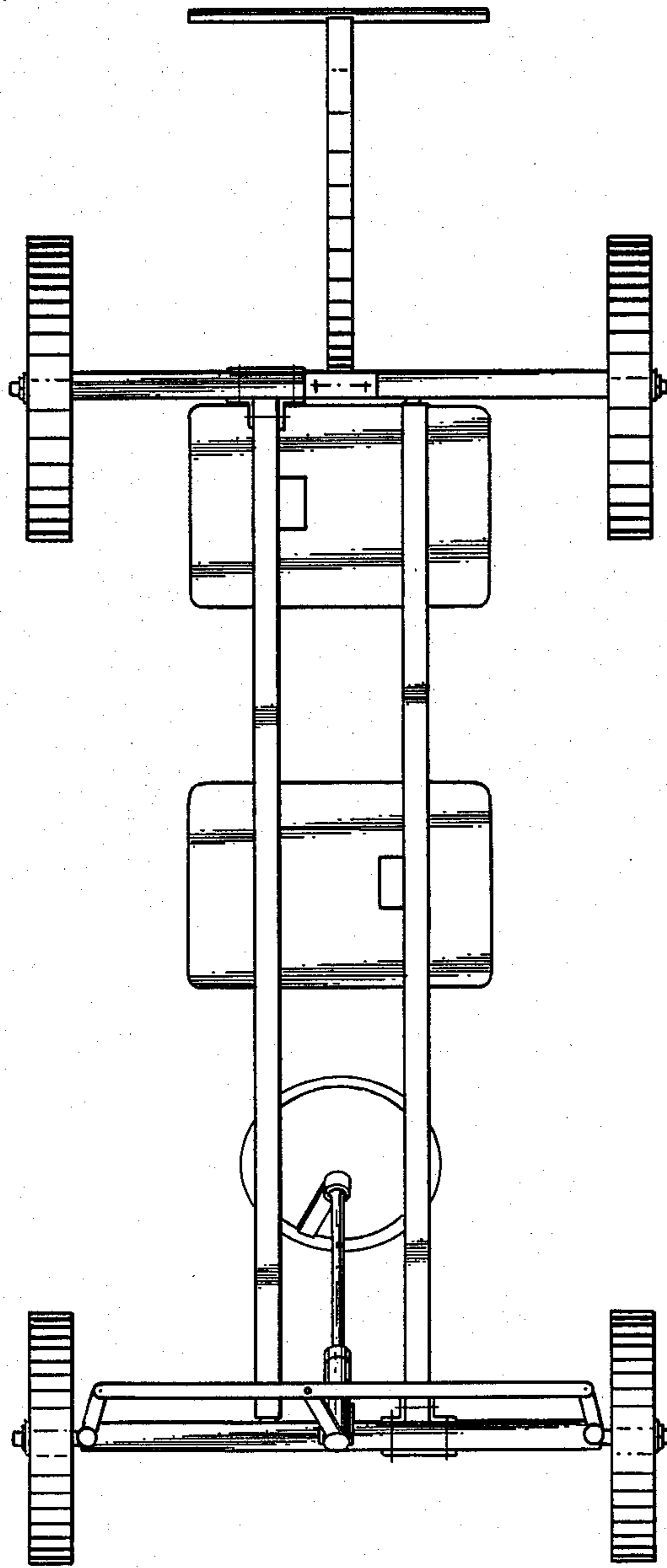


FIG. 6