

[54] CAMERA SUPPORT

[76] Inventor: O. Daniel Goins, 2125 James Downey Rd., Independence, Mo. 64057

[**] Term: 14 Years

[21] Appl. No.: 862,436

[22] Filed: May 8, 1986

[52] U.S. Cl. D16/242; 354/293

[58] Field of Search D16/242, 243; 354/293

[56] References Cited

U.S. PATENT DOCUMENTS

- D. 276,620 12/1984 Hanke D16/243
- 3,882,524 5/1975 Rauscher 354/293

- 4,244,500 1/1981 Fournier 354/293
- 4,327,986 5/1982 Carter 354/293
- 4,437,753 3/1984 Dunn 354/293

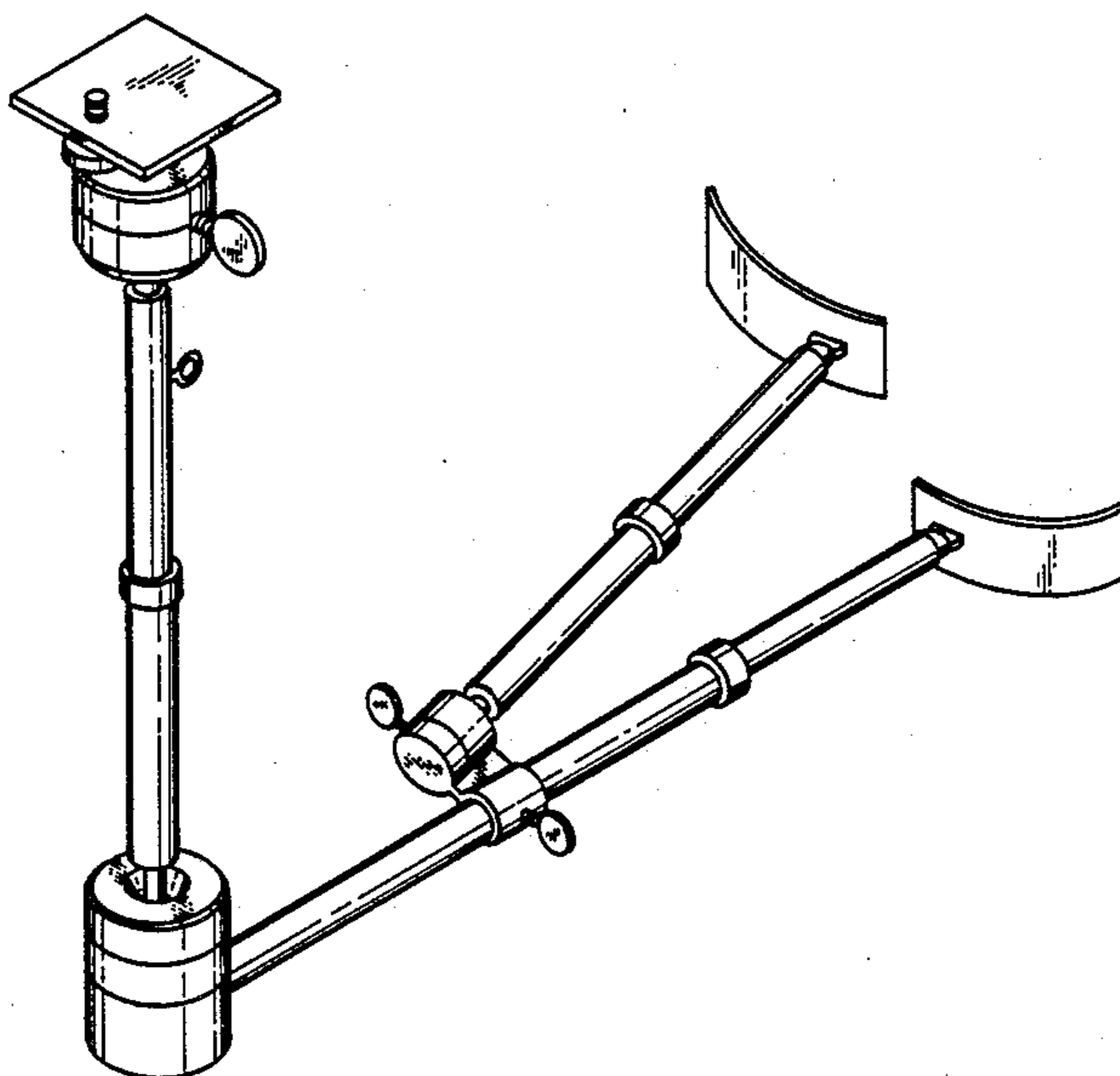
Primary Examiner—Nelson C. Holtje
Assistant Examiner—Caron D. Veynar
Attorney, Agent, or Firm—Terry M. Gernstein

[57] CLAIM

The ornamental design for a camera support, as shown and described.

DESCRIPTION

FIG. 1 top right isometric view of a camera support showing my new design;
FIG. 2 right side elevational view thereof, left side view being a mirror image thereof;
FIG. 3 bottom right rear isometric view thereof.



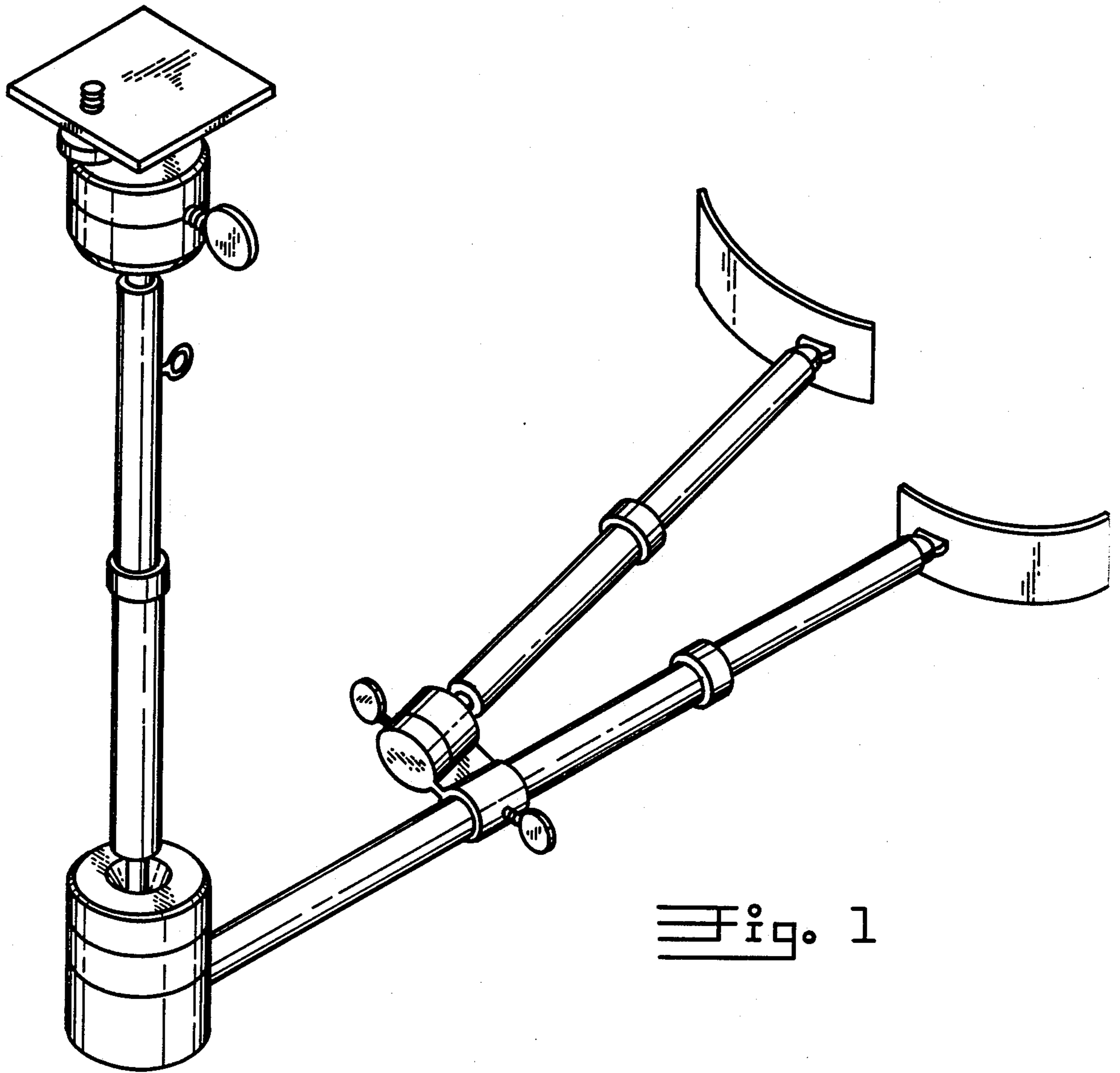
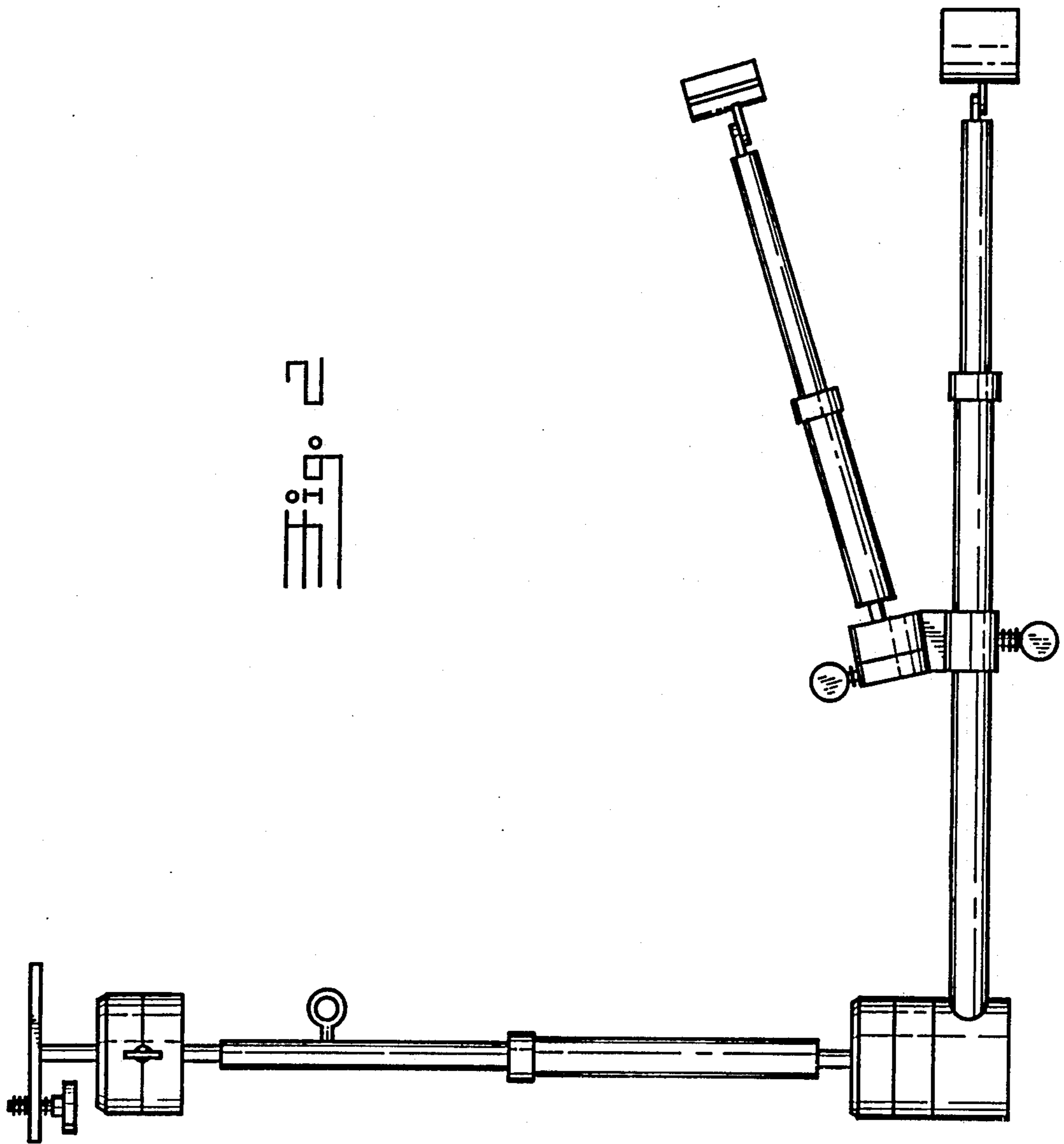


Fig. 1



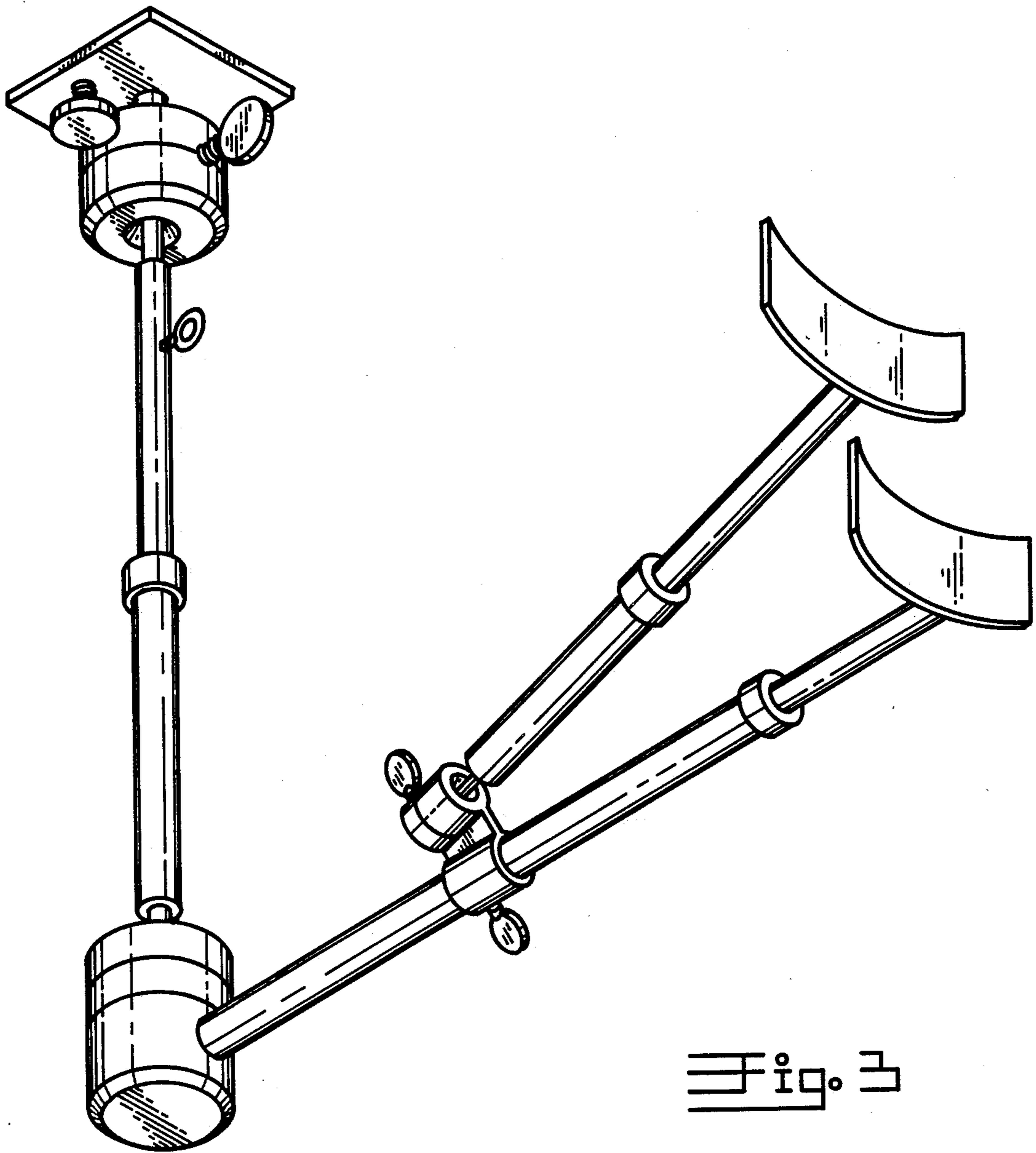


Fig. 3