

[54] PUMP

[75] Inventors: Frederick A. Powers, Maple Grove; Arlon R. Pyle, St. Louis Park; Sheila S. McKee, St. Paul, all of Minn.

[73] Assignee: Graco Inc., Minneapolis, Minn.

[**] Term: 14 Years

[21] Appl. No.: 27,661

[22] Filed: Feb. 17, 1987

[52] U.S. Cl. D15/7

[58] Field of Search D15/7, 9; 417/234, 321, 417/403, 489; 91/34, 47, 50; 92/169-170

[56] References Cited

U.S. PATENT DOCUMENTS

D. 273,957	5/1984	Boswell	D15/9
D. 282,471	2/1986	Bearint et al.	D15/9
D. 283,224	4/1986	Lametto et al.	D15/7
4,029,442	6/1977	Schlosser	417/489
4,035,109	7/1977	Drath et al.	417/403
4,166,410	9/1979	Schlosser	91/50
4,637,295	1/1987	Powers et al.	92/170
4,789,131	12/1988	Vork	251/28

OTHER PUBLICATIONS

"Air-Powered Pumps," p. 3-2-32 of *Graco Industrial Products Catalogue*, Graco Form No. 314-704.

"The New Glutton® Pump," ©1987 Graco Inc., Form No. 303-015.

"The Glutton® Air Powered Pumps," Instructions-Parts List, ©1983 Graco Inc., Graco Form No. 307-610, Rev. L.

"The Glutton® Air Powered Pump," Instructions-Parts List, ©1988, Graco Inc., Graco Form No. 307-843, Rev. B.

Primary Examiner—Wallace R. Burke

Assistant Examiner—Brian N. Vinson

Attorney, Agent, or Firm—Douglas B. Farrow

[57] CLAIM

The ornamental design for a pump, as shown and described.

DESCRIPTION

FIG. 1 is a top, front and right side perspective view of a pump showing our new design; FIG. 2 is a front elevational view thereof; FIG. 3 is a rear elevational view thereof; FIG. 4 is a right side elevational view thereof; FIG. 5 is a right side elevational view thereof, the left side being a mirror image of that shown; FIG. 6 is a bottom plan view thereof; It is understood that the opposite end from that shown in FIG. 4 is a mirror image of the view shown in FIG. 4.

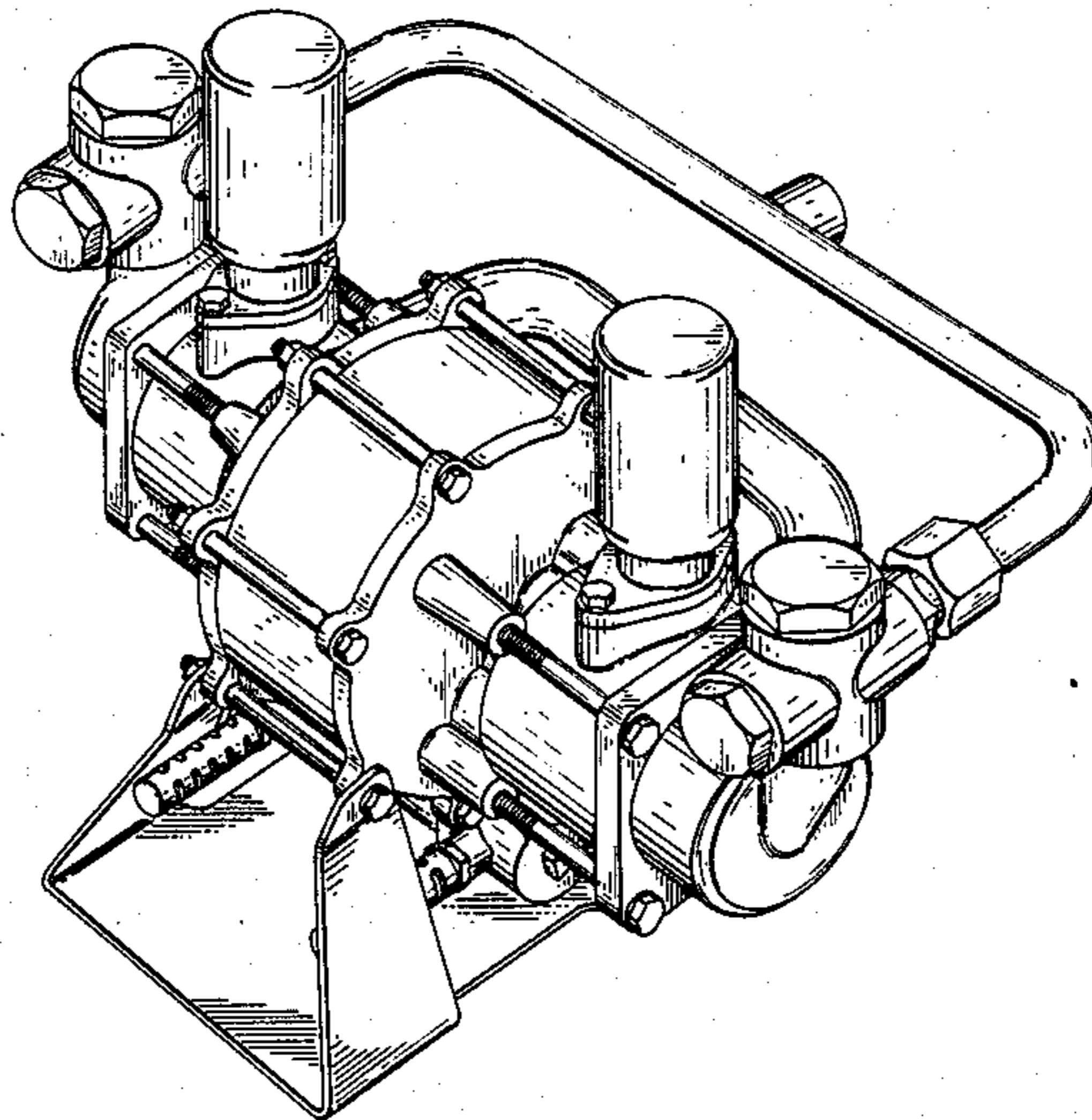


Fig. - 1

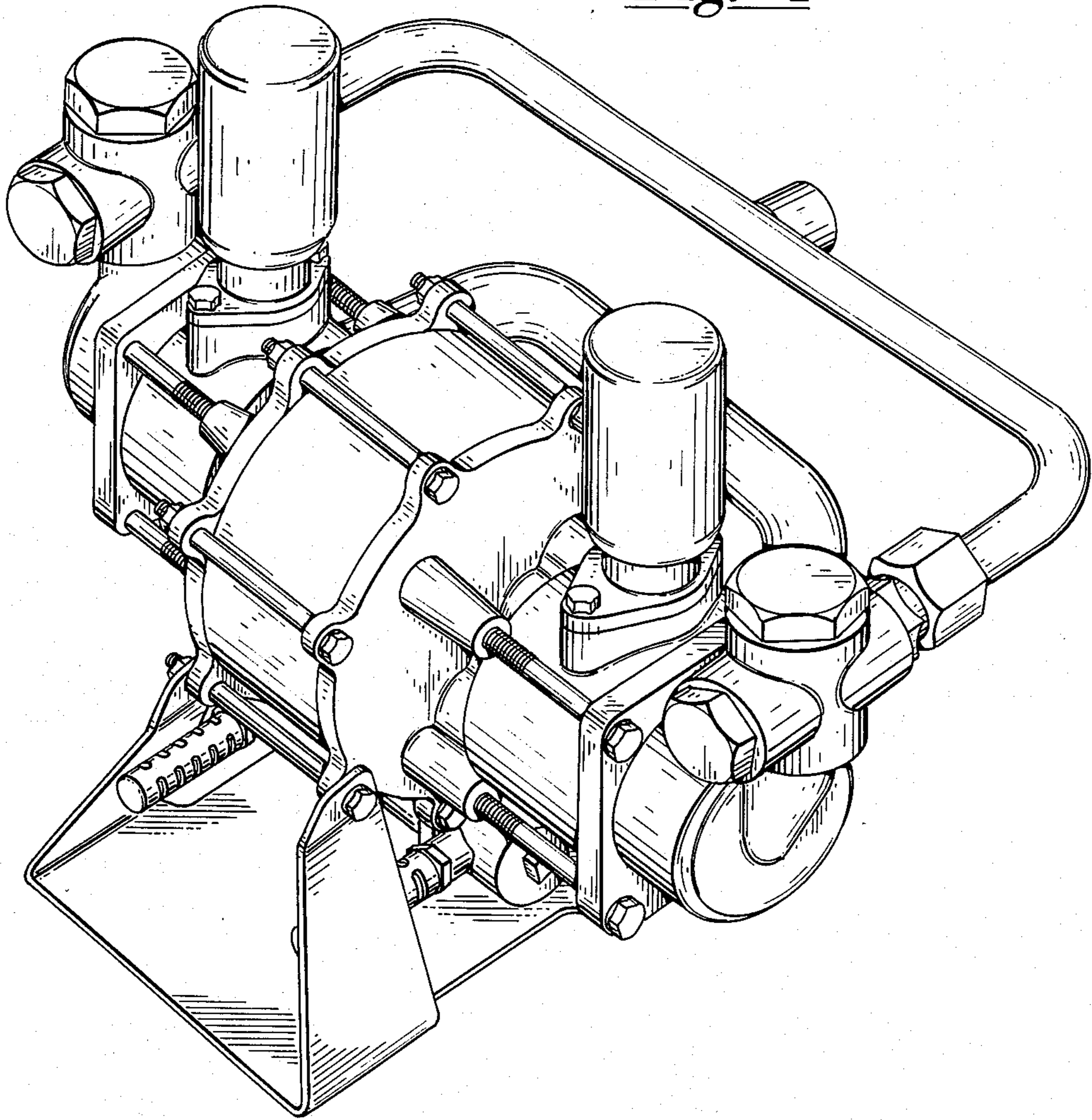


Fig. - 2

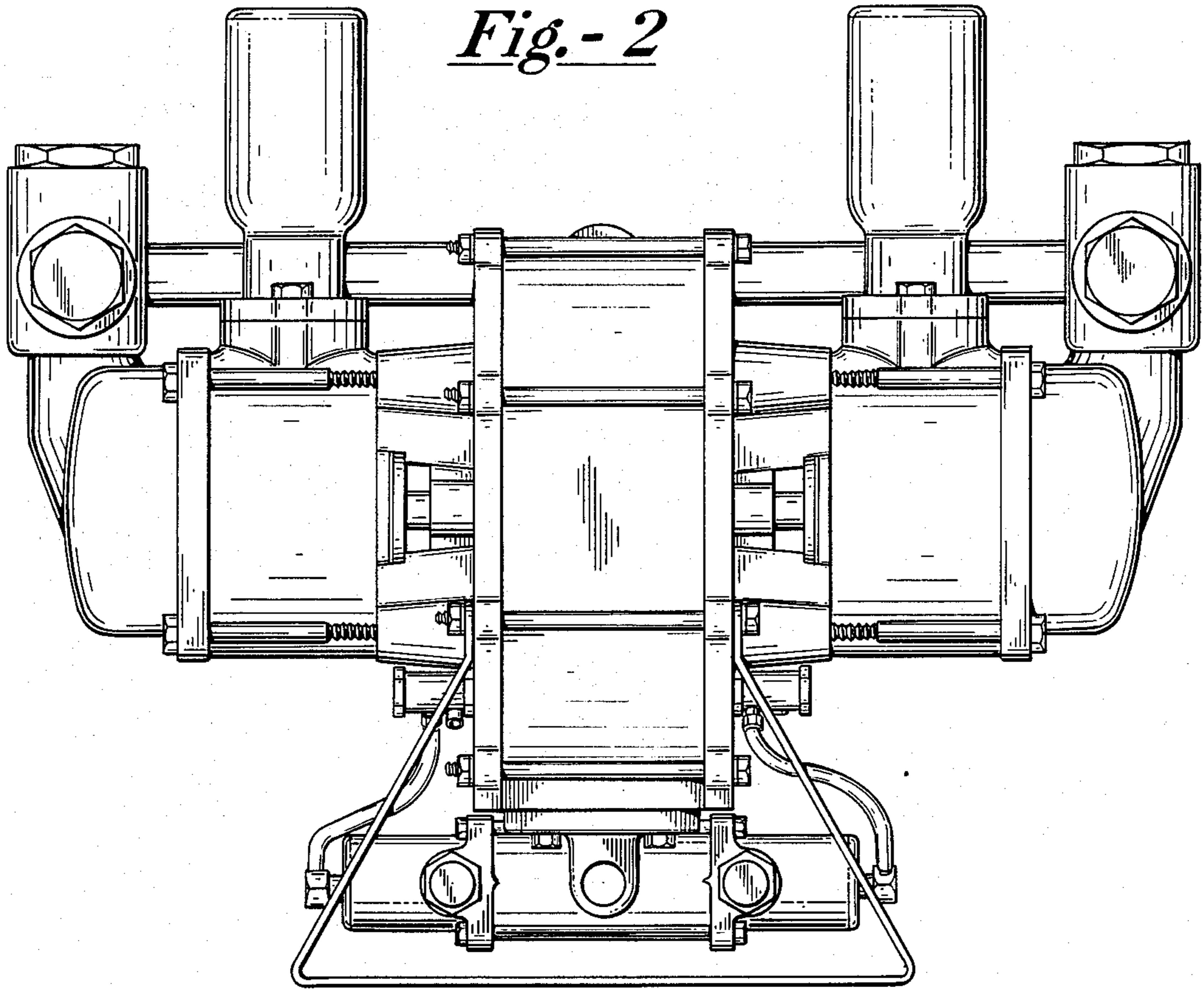


Fig. - 3

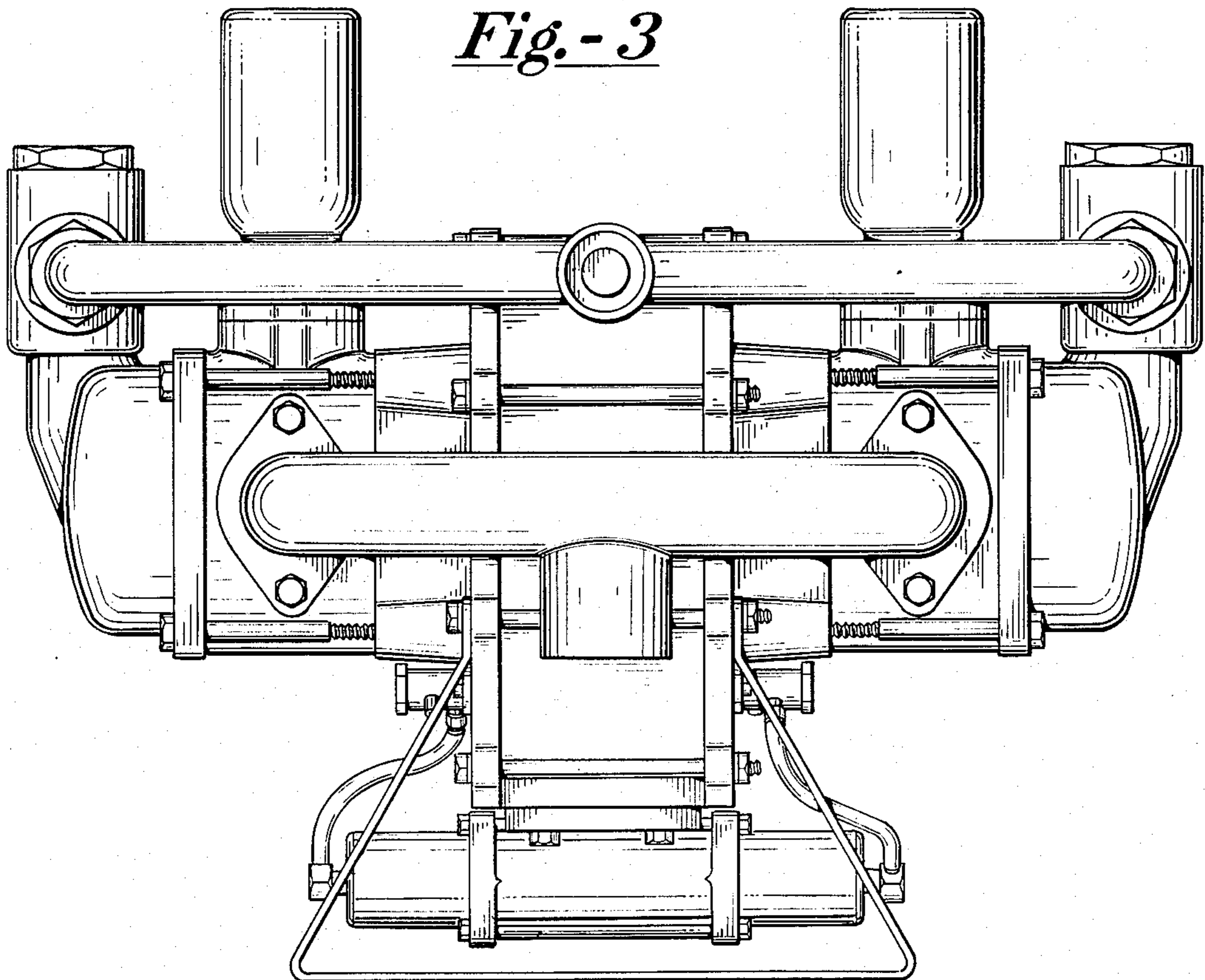


Fig. - 4

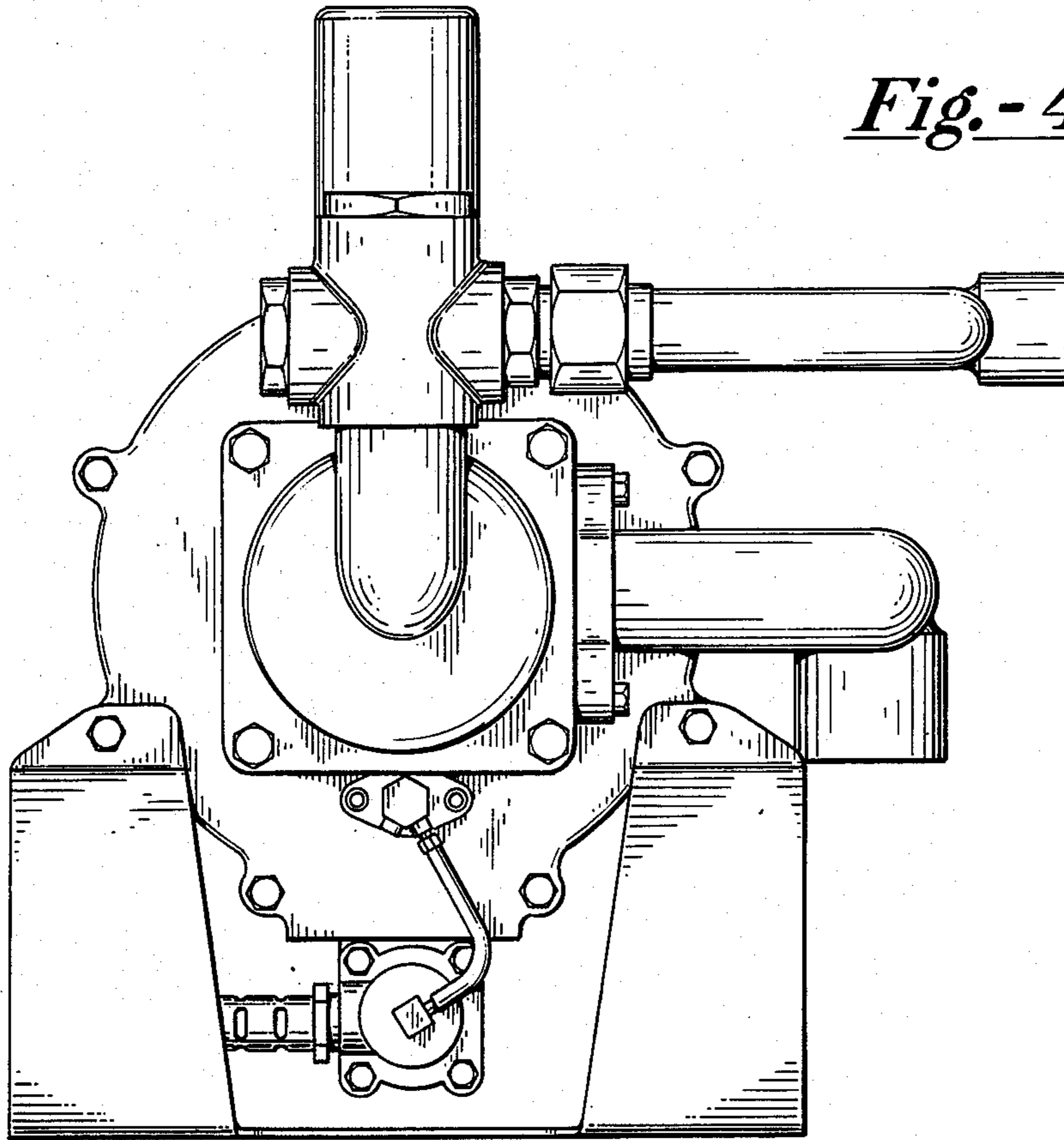


Fig. - 5

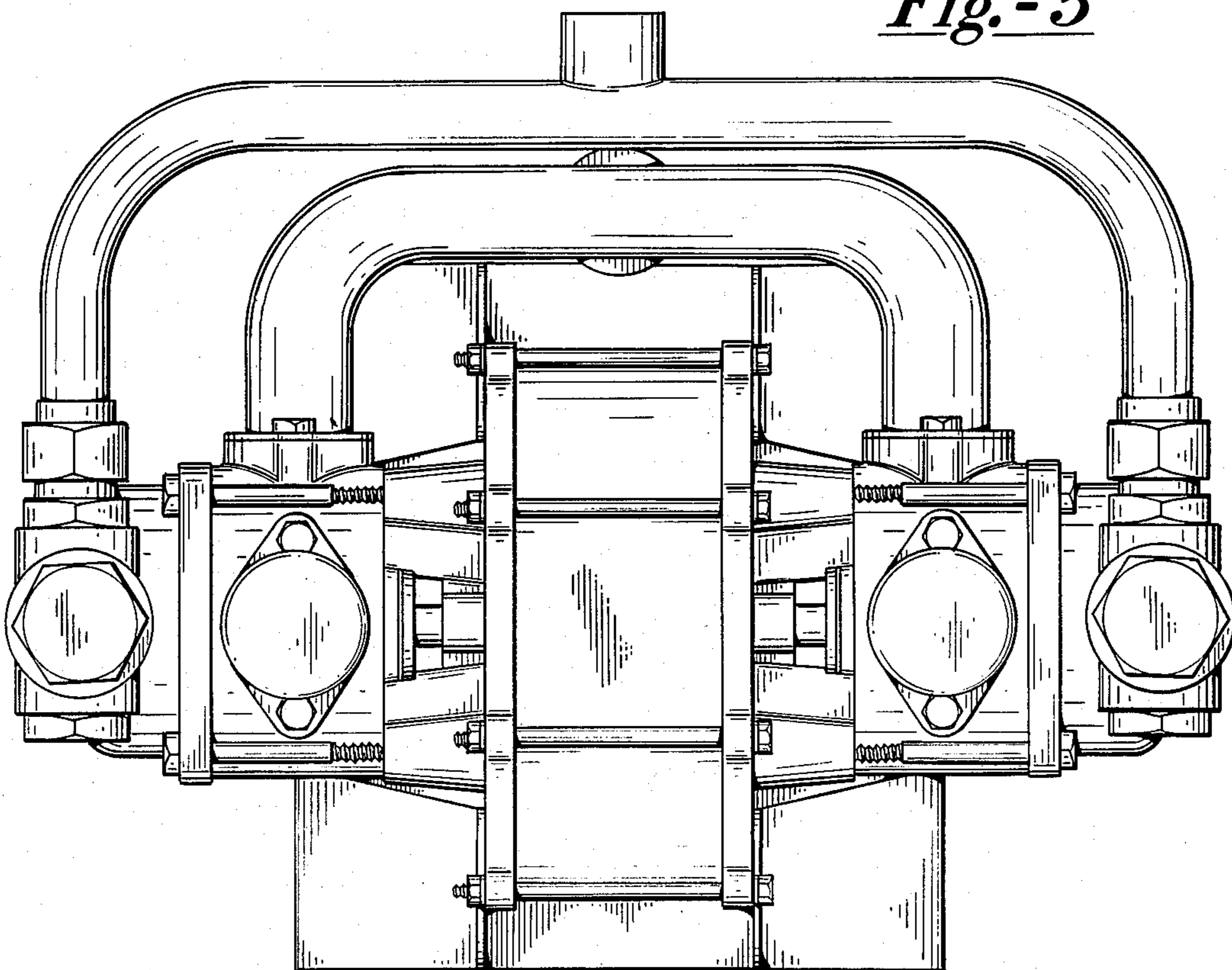


Fig. - 6

