

[54] MAGNETIC TAPE CASSETTE

[75] Inventors: Ryuichi Koike, Sagamihara; Ichitaro Satoh, Atsugi, both of Japan

[73] Assignee: Sony Corporation, Tokyo, Japan

[**] Term: 14 Years

[21] Appl. No.: 786,074

[22] Filed: Oct. 10, 1985

[30] Foreign Application Priority Data

Apr. 19, 1985 [JP] Japan 60-16106

[52] U.S. Cl. D14/121

[58] Field of Search D14/1, 10, 11, 99; 360/132; 242/55.19 A, 197, 198, 199

[56] References Cited

U.S. PATENT DOCUMENTS.

- D. 263,585 3/1982 Doodson D14/11
- D. 268,671 4/1983 Ohya et al. D14/11

- D. 274,327 6/1984 Sumisha et al. D14/11
- D. 289,519 4/1987 Ohya et al. D14/11
- 4,572,461 2/1986 Horikawa et al. 242/198

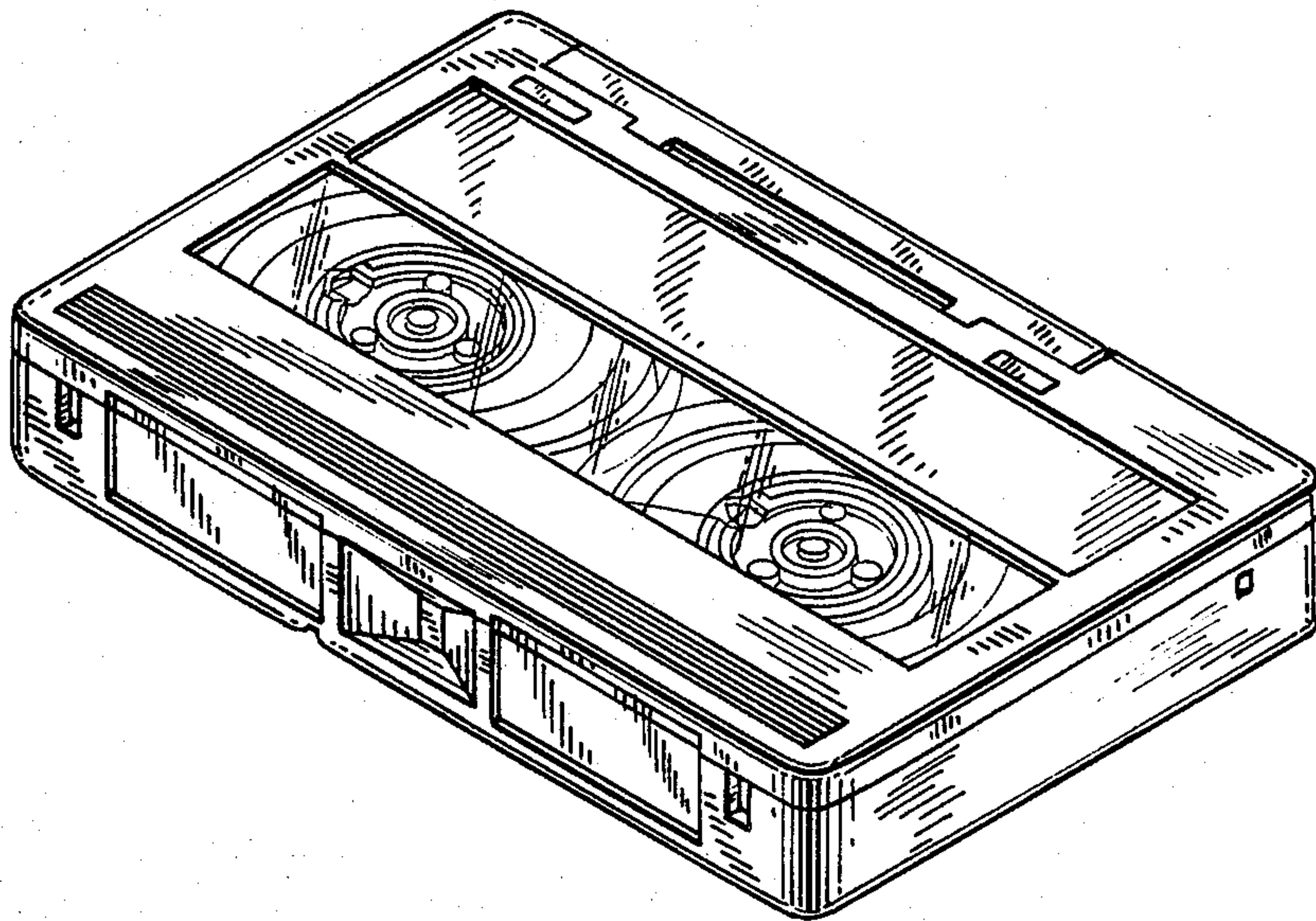
Primary Examiner—Bernard Ansher
Assistant Examiner—Theodore M. Shooman
Attorney, Agent, or Firm—Lewis H. Eslinger; Jay H. Maioli

[57] CLAIM

The ornamental design for a magnetic tape cassette, as shown and described.

DESCRIPTION

FIG. 1 is a top, rear, and left-side perspective view of a magnetic tape cassette showing our new design; FIG. 2 is a front elevational view thereof; FIG. 3 is a rear elevational view thereof; FIG. 4 is a right-side elevational view thereof, the left-side being a mirror image; FIG. 5 is a top plan view thereof; and FIG. 6 is a bottom plan view thereof.



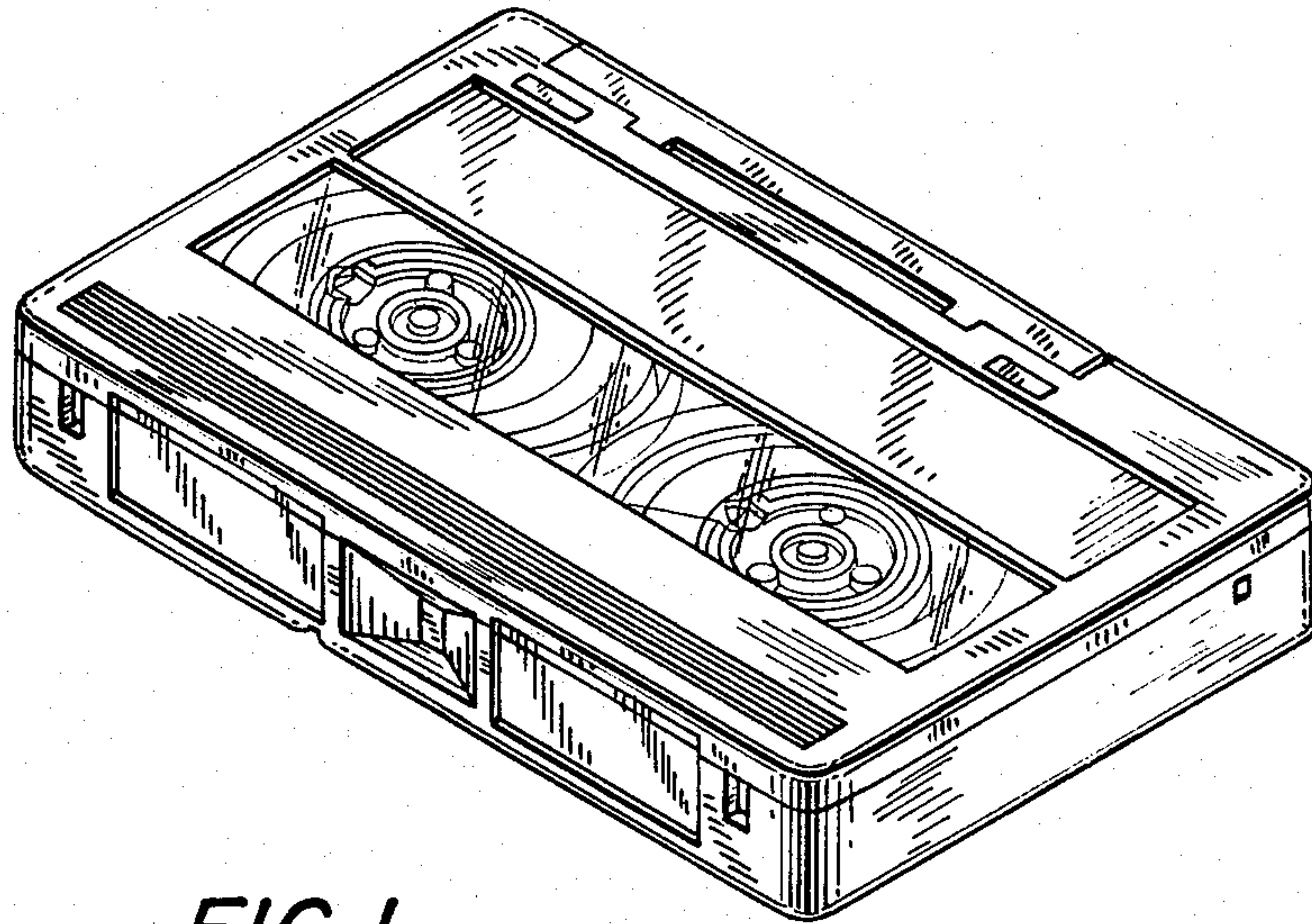


FIG. 1

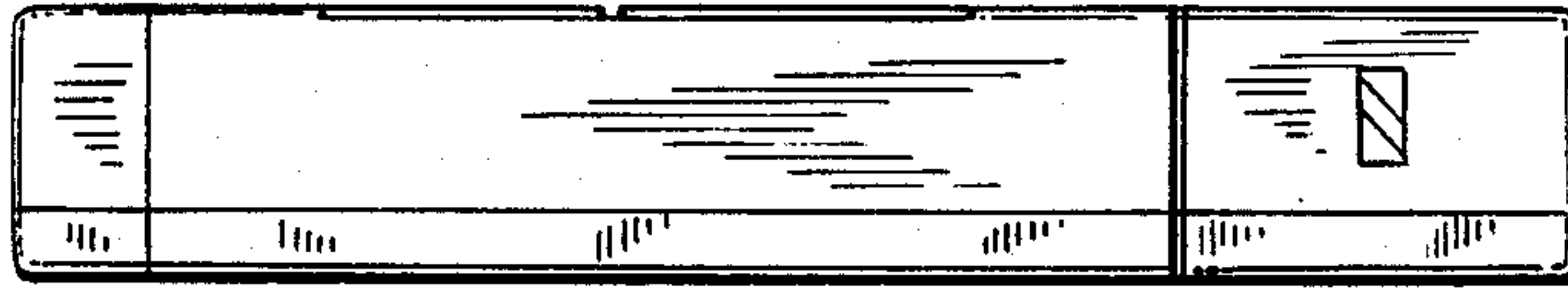


FIG. 2

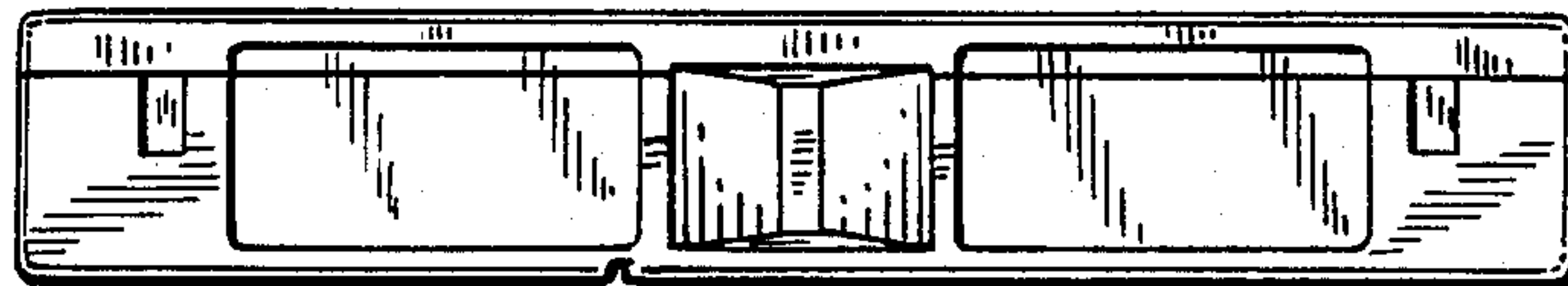


FIG. 3

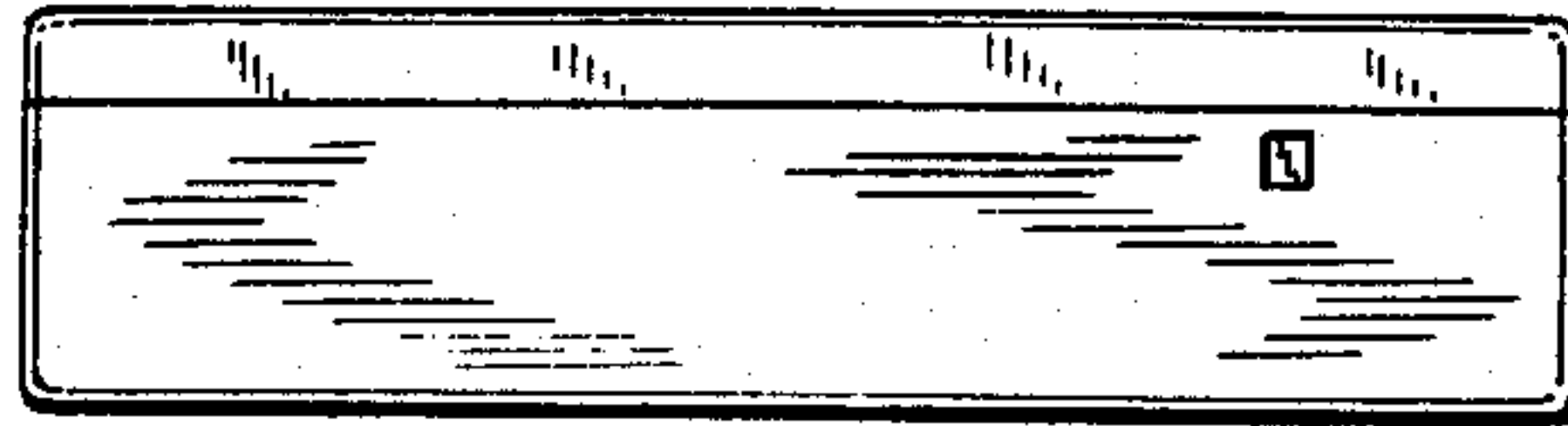


FIG. 4

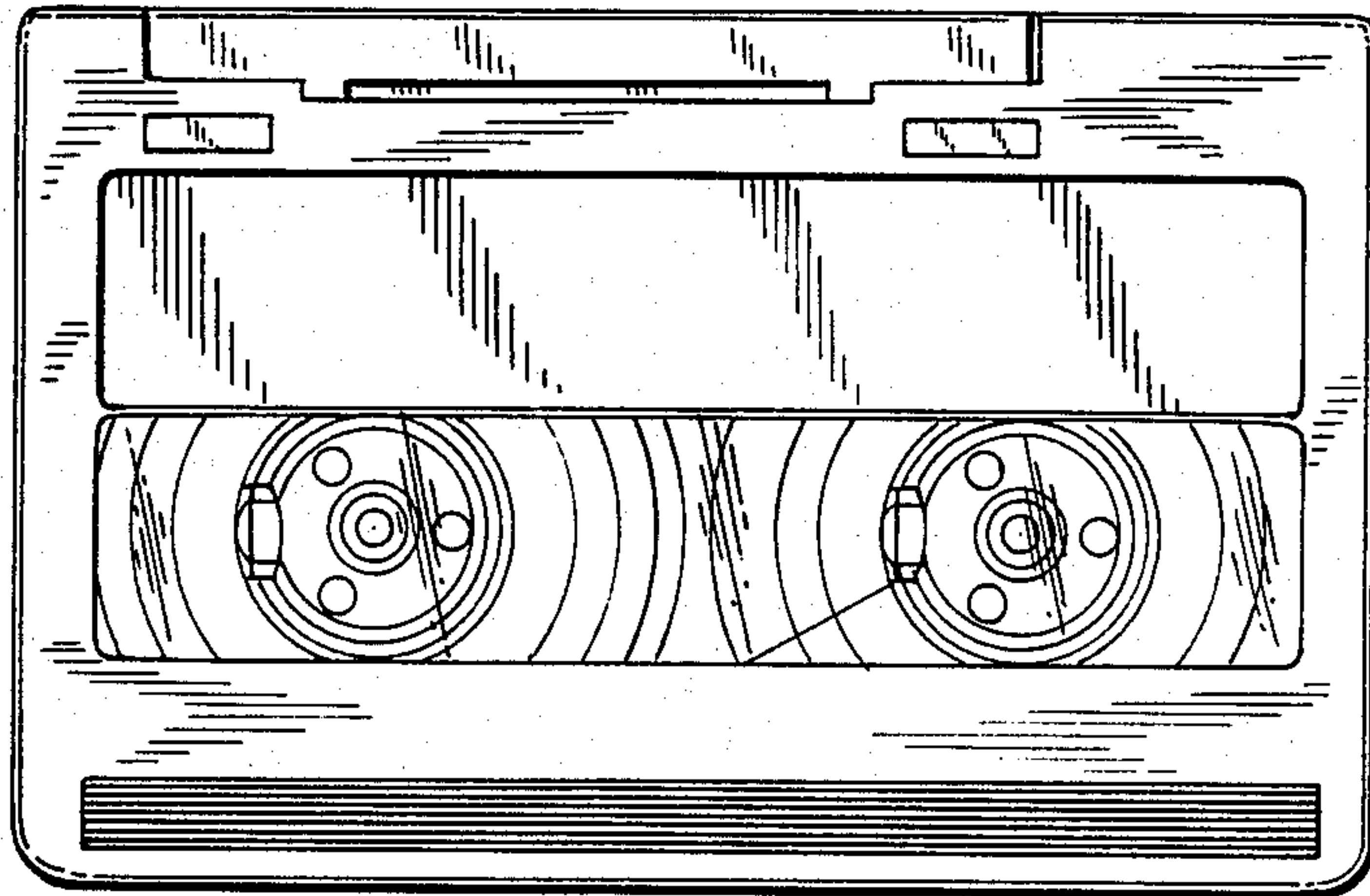


FIG. 5

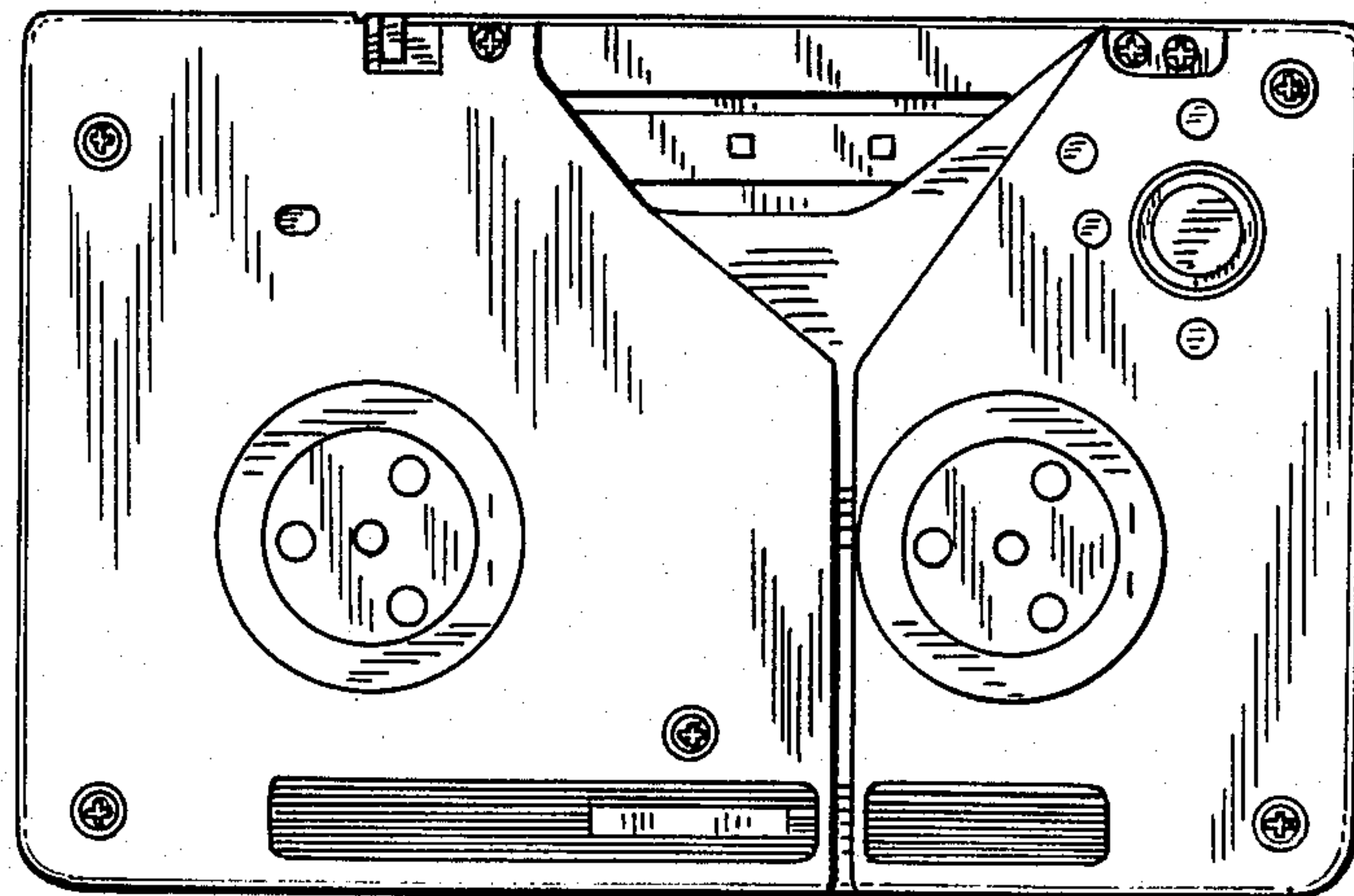


FIG. 6