

[54] DRAFTING PLOTTER

[75] Inventors: David W. Leong; Timothy A. Longust, both of San Diego, Calif.

[73] Assignee: Hewlett-Packard Company, Palo Alto, Calif.

[**] Term: 14 Years

[21] Appl. No.: 13,822

[22] Filed: Feb. 12, 1987

[52] U.S. Cl. D14/107; D10/46; D18/36

[58] Field of Search D10/46; D14/114, 107; D18/36, 39; 33/1 M, 18.2; 346/29, 112, 145, 146; 400/283

[56] References Cited

U.S. PATENT DOCUMENTS

- D. 228,152 8/1973 Matwey D18/39
- D. 237,830 11/1975 Van Acker D18/36

D. 295,613 5/1988 Tanner D10/46

OTHER PUBLICATIONS

New Equipment Digest, Apr. 1985, p. 39.
Hewlett Packard Technical Data, Aug. 1985, front cover.

Primary Examiner—Nelson C. Holtje
Assistant Examiner—Caron D. Veynar

[57] CLAIM

The ornamental design for a drafting plotter, as shown and described.

DESCRIPTION

FIG. 1 is a perspective view of a drafting plotter showing our new design;
FIG. 2 is a left side elevational view thereof;
FIG. 3 is a right side elevational view thereof;
FIG. 4 is a top plan view thereof;
FIG. 5 is a bottom plan view thereof;
FIG. 6 is a front elevational view thereof; and
FIG. 7 is rear elevational view thereof.

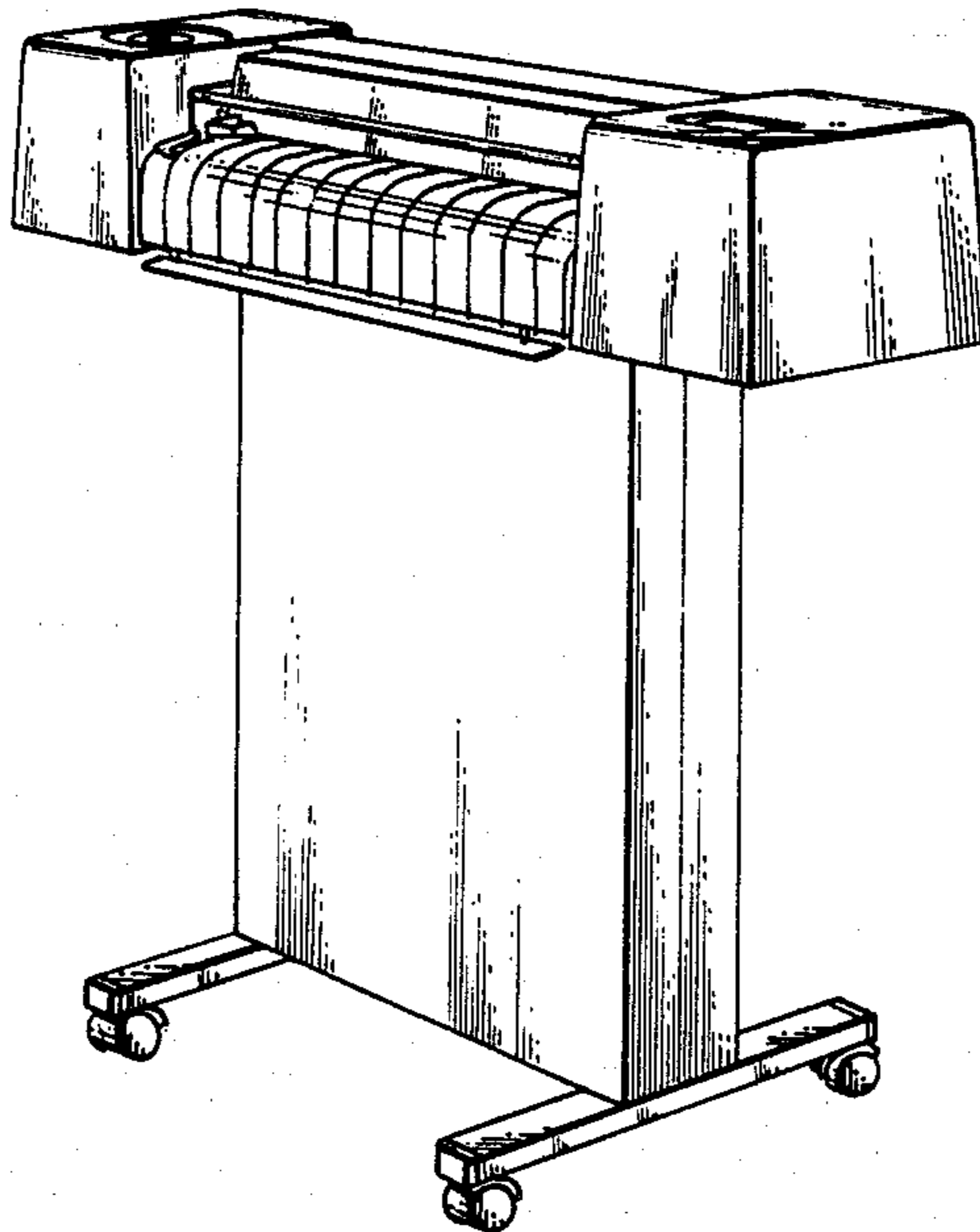


Fig. 1.

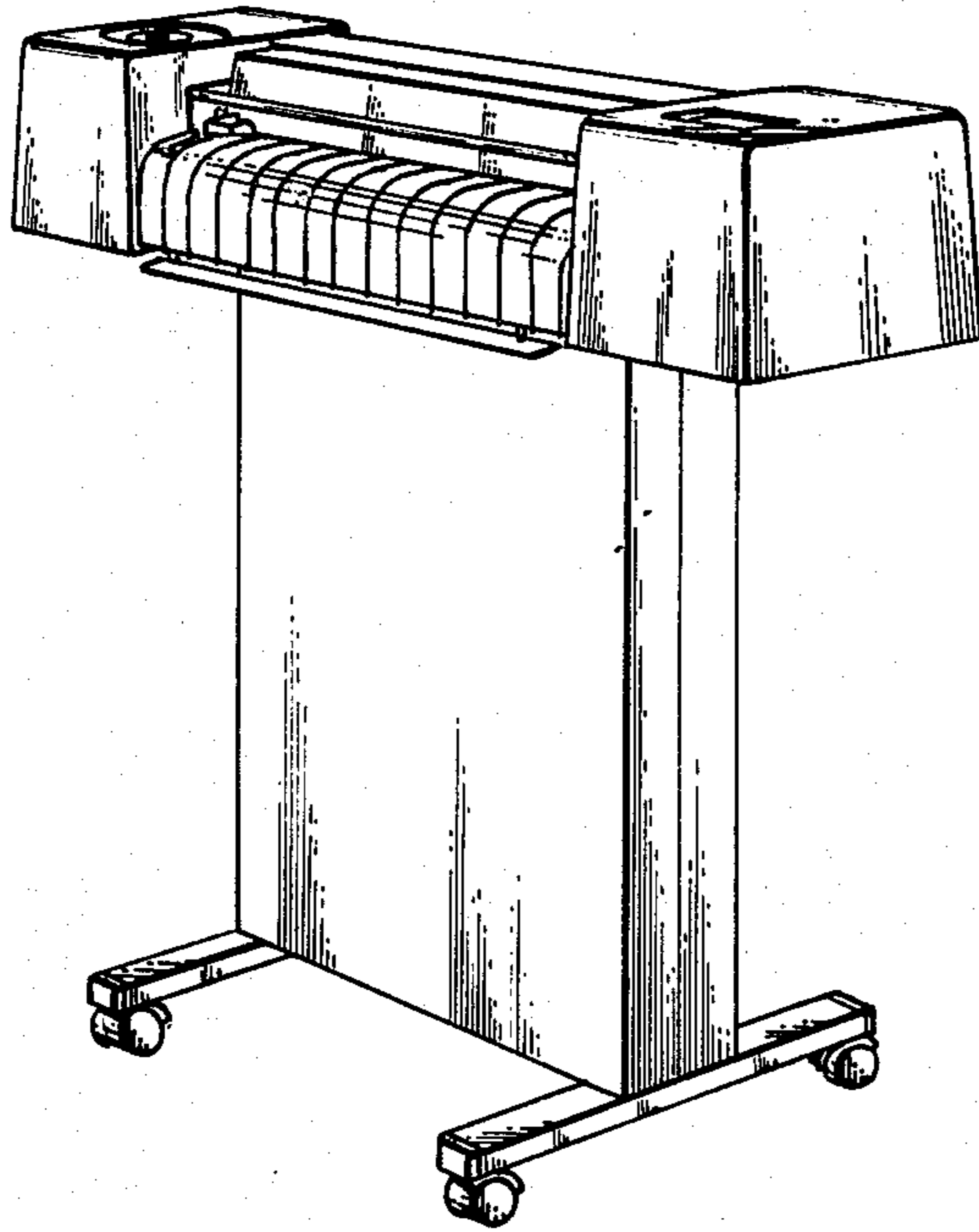


Fig. 2.

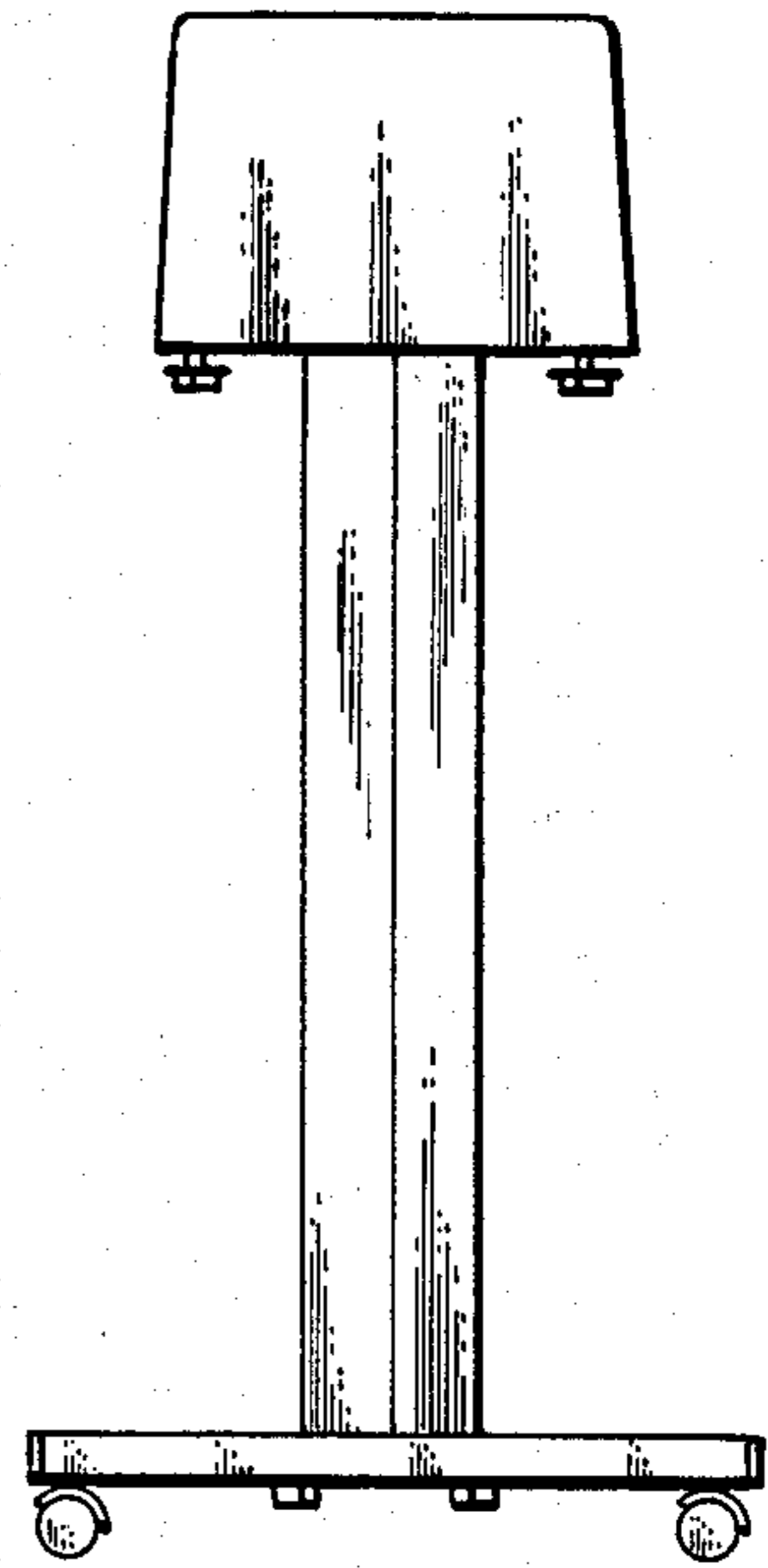


Fig. 4.

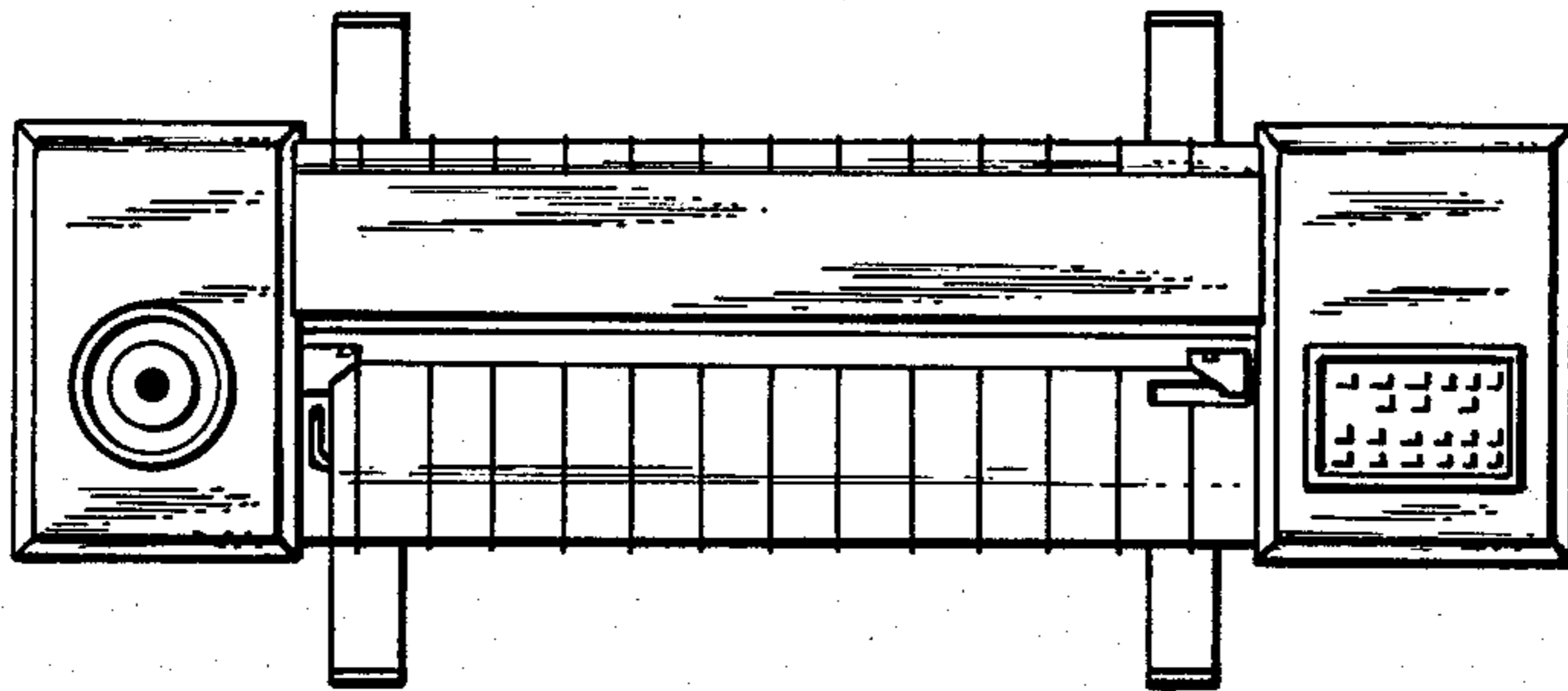


Fig. 3.

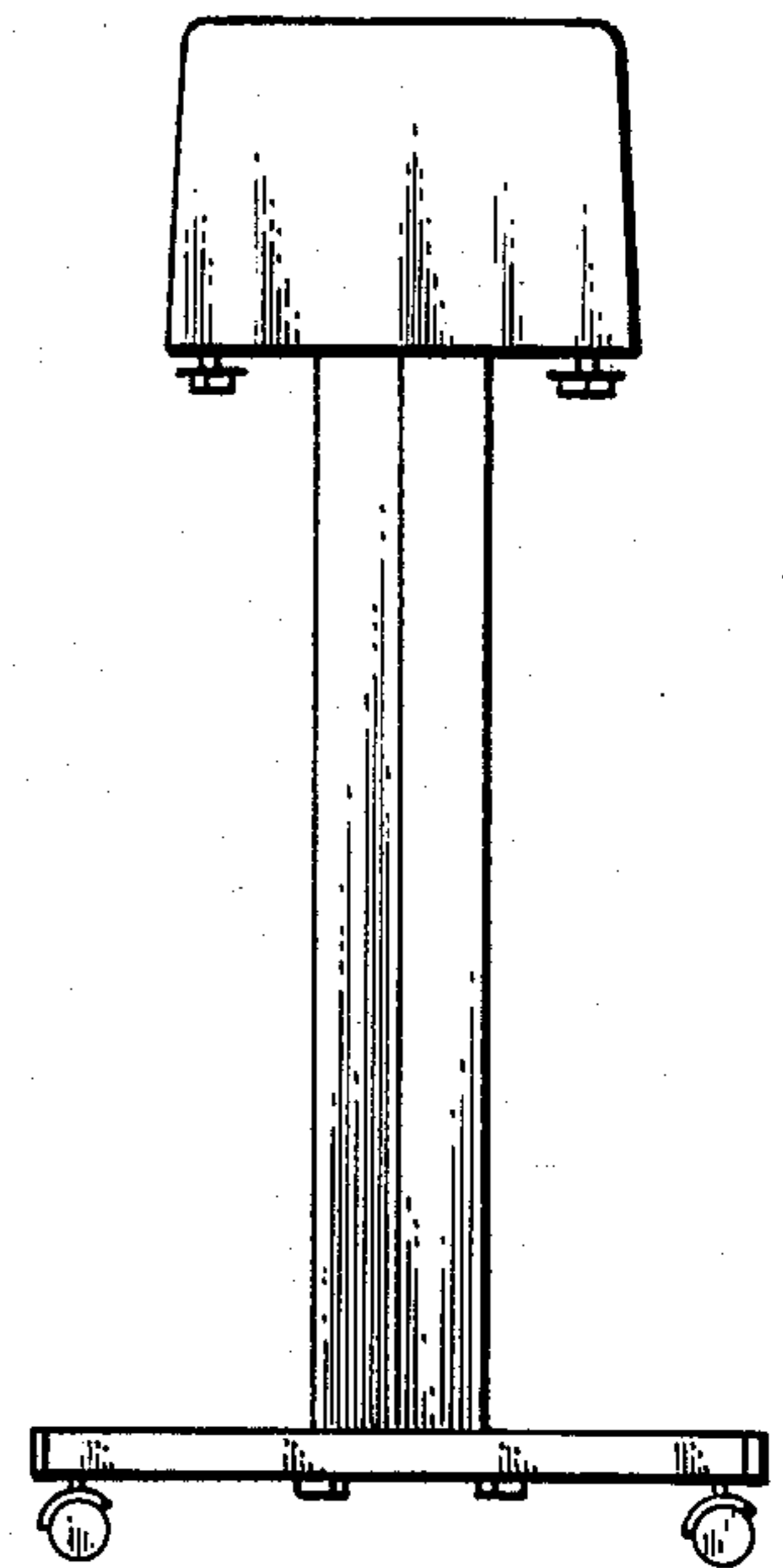


Fig. 5.

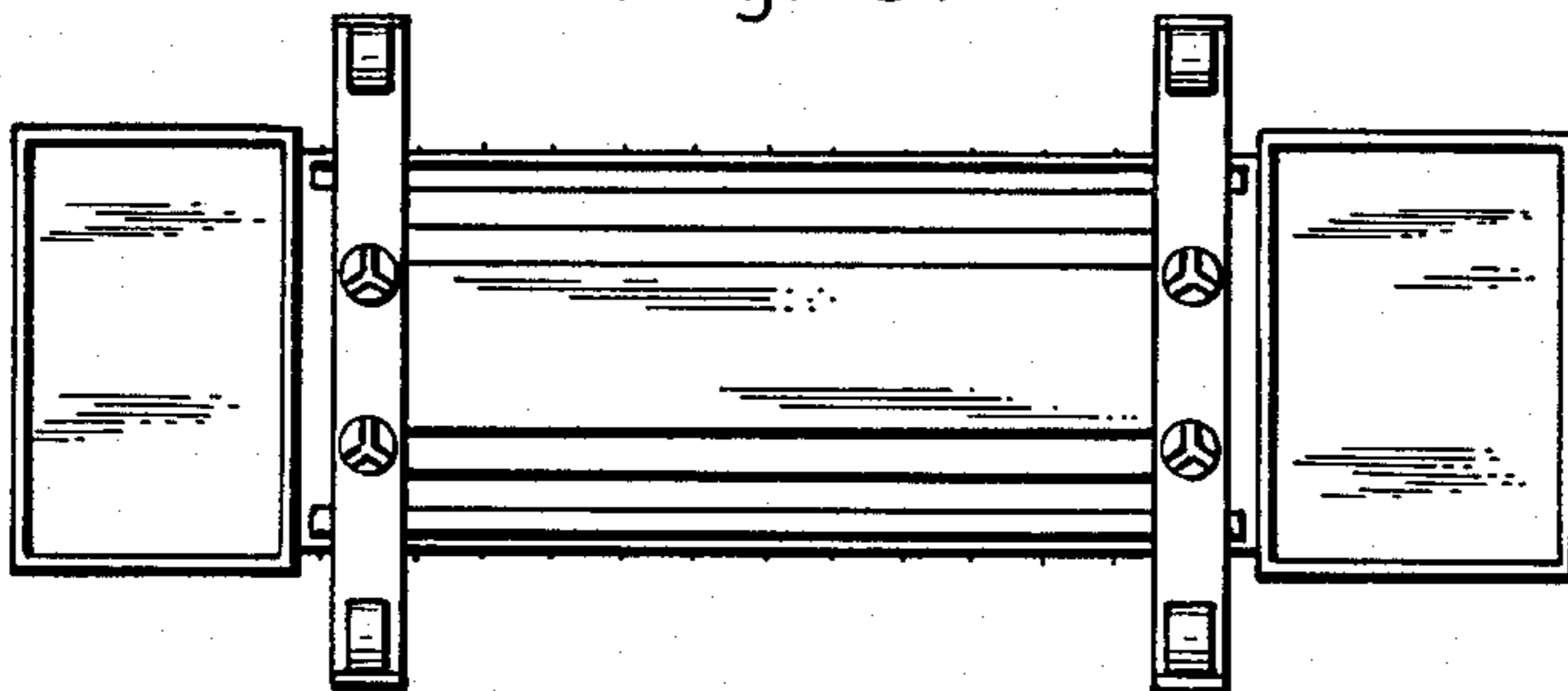


Fig. 6.

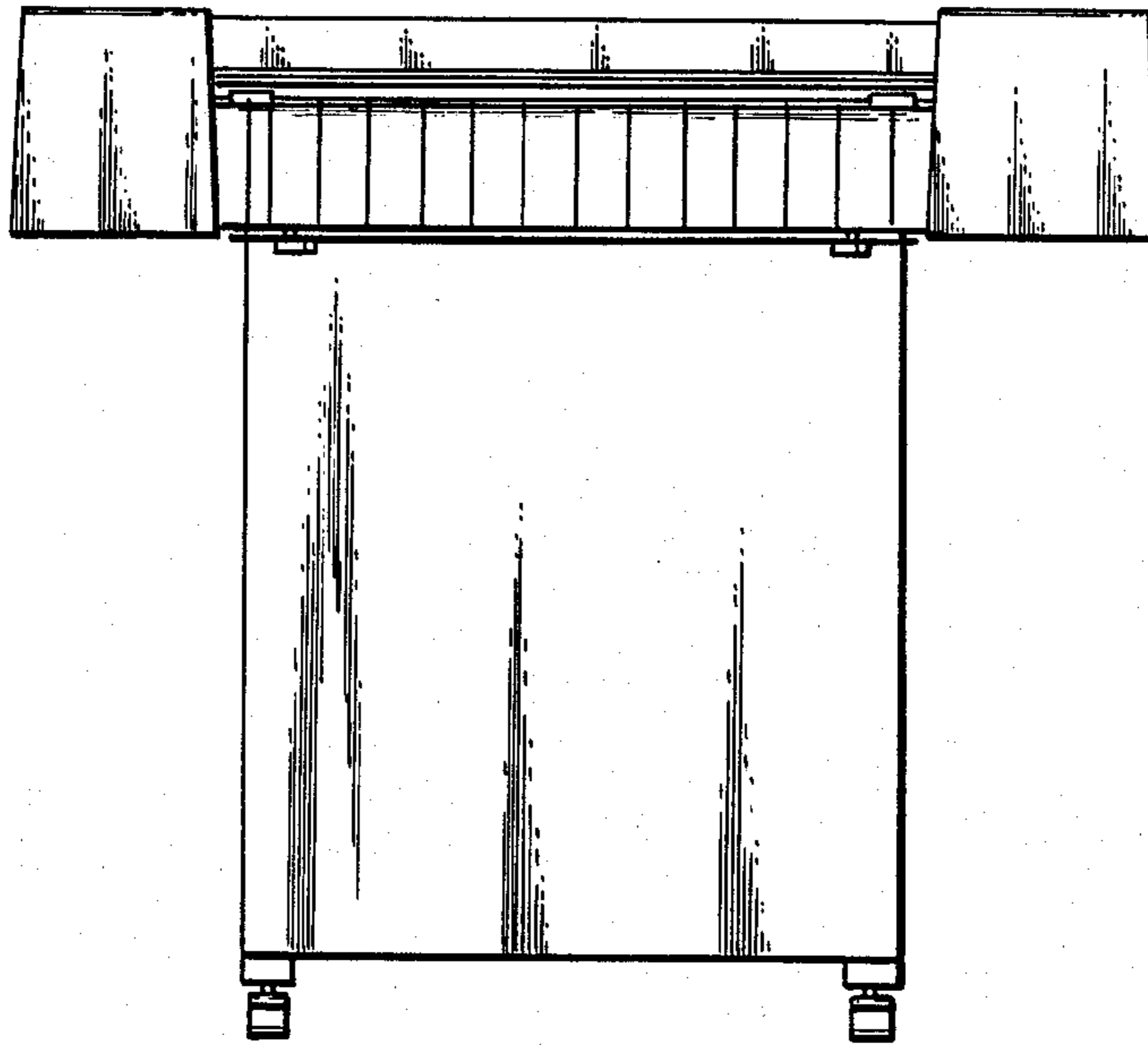


Fig. 7.

