

[54] COMBINED DATA ENTRY TERMINAL AND CARD READER

[75] Inventors: Thomas W. Bear, Allen Park; James L. Jessup, Livonia; Rolf Pielemeier, Southfield; William J. Pielemeier, Ann Arbor, all of Mich.

[73] Assignee: Tech-S, Inc., Livonia, Mich.

[\*\*] Term: 14 Years

[21] Appl. No.: 895,356

[22] Filed: Aug. 11, 1986

[52] U.S. Cl. .... D14/105

[58] Field of Search ..... D14/100-115; D18/1, 2, 4, 6, 7, 11, 12; 364/130, 144, 189, 200, 706, 708; 235/7 R, 8, 15, 379, 380, 381, 145, 145 R

[56] References Cited

U.S. PATENT DOCUMENTS

- D. 232,126 7/1974 Conway et al. .... D14/105
- D. 244,386 5/1977 Schaum et al. .... D14/105
- D. 244,388 5/1977 Conway et al. .... D14/105
- D. 287,590 1/1987 Kaplan et al. .... D14/105
- D. 288,814 3/1987 Takahashi et al. .... D14/100
- D. 289,819 5/1987 Long ..... D14/105 X
- D. 290,124 6/1987 Wilson et al. .... D14/105

- D. 293,792 1/1988 Watson ..... D14/105
- D. 295,175 4/1988 Long ..... D14/105
- D. 297,237 8/1988 Long ..... D14/105
- 3,938,090 2/1976 Borison et al. .... 235/380

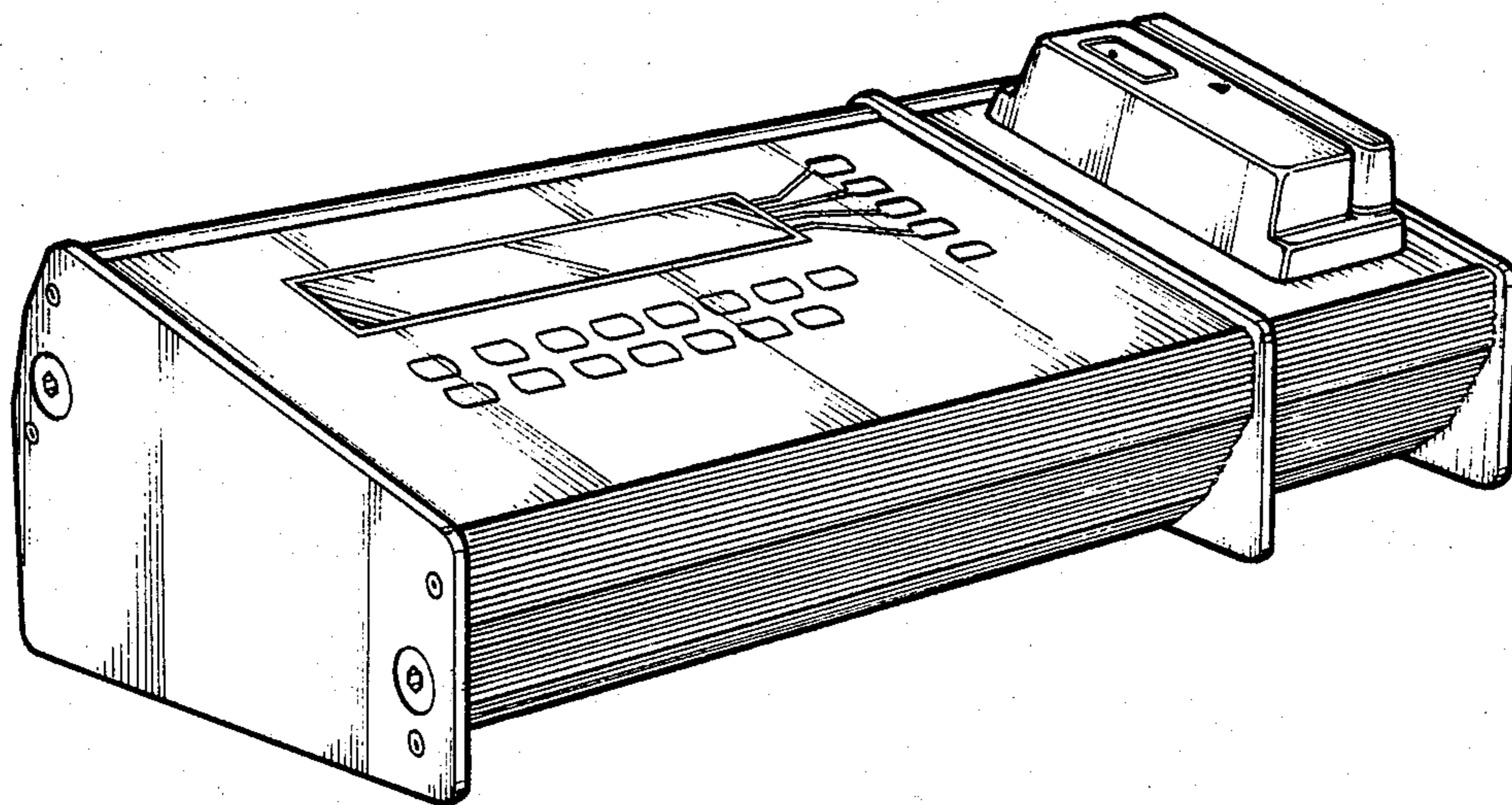
Primary Examiner—Susan J. Lucas  
Assistant Examiner—Freda Selma Nunn  
Attorney, Agent, or Firm—Krass & Young

[57] CLAIM

The ornamental design for a combined data entry terminal and card reader, as shown and described.

DESCRIPTION

FIG. 1 is a top, front, left side perspective view of a combined data entry terminal and card reader embodying our new design;  
 FIG. 2 is a top plan view thereof as seen in the direction of arrow 2 in FIG. 4 on an enlarged scale;  
 FIG. 3 is a front elevational view thereof as seen in the direction of arrow 3 in FIG. 4 on an enlarged scale;  
 FIG. 4 is a left side elevational view thereof on an enlarged scale;  
 FIG. 5 is a rear, elevational view thereof as seen in the direction of arrow 5 in FIG. 4 on an enlarged scale;  
 FIG. 6 is a right side elevational view thereof on an enlarged scale; and  
 FIG. 7 is a bottom plan view thereof as seen in the direction of arrow 7 on an enlarged scale.



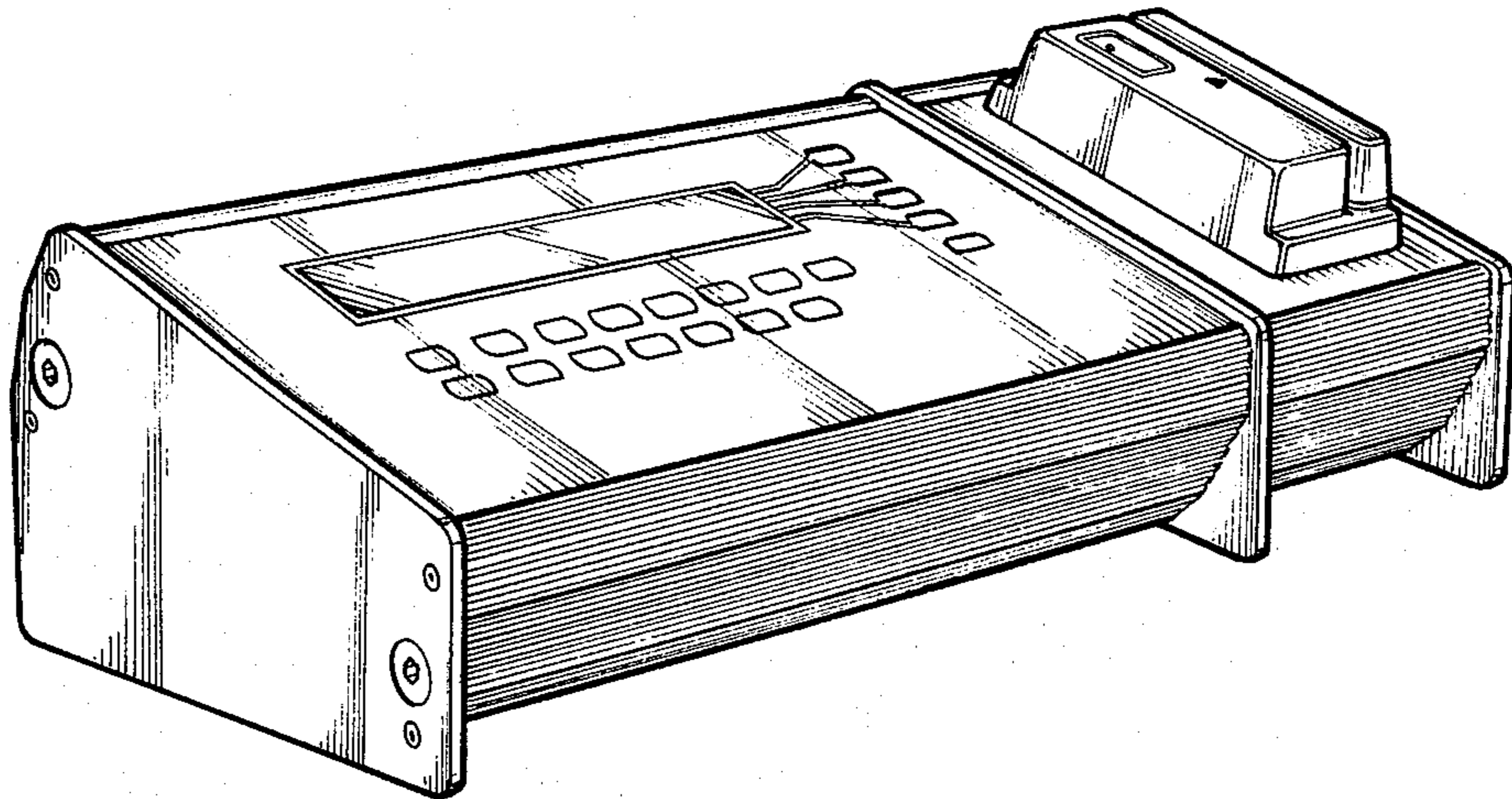


Fig-1

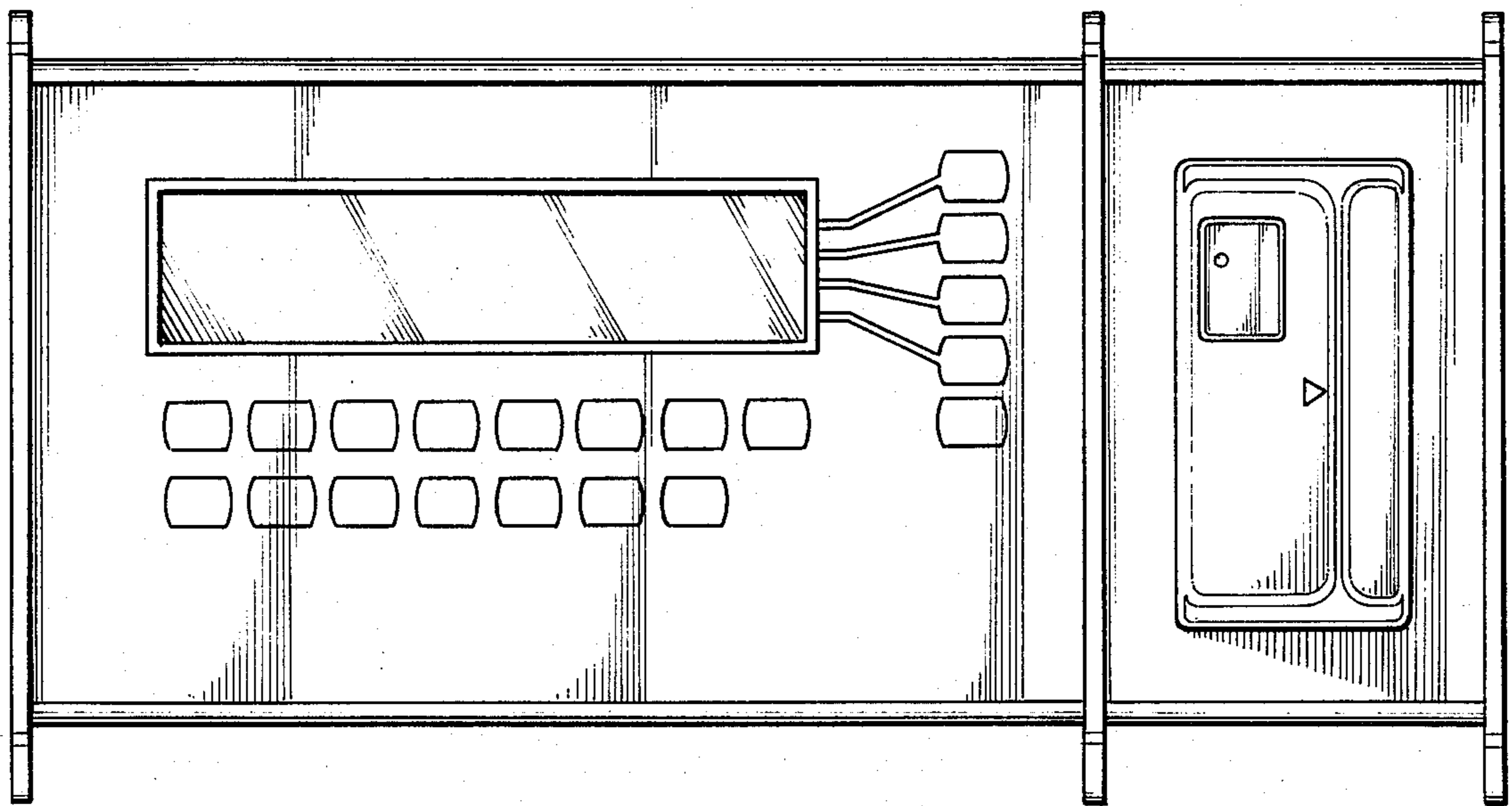


Fig-2

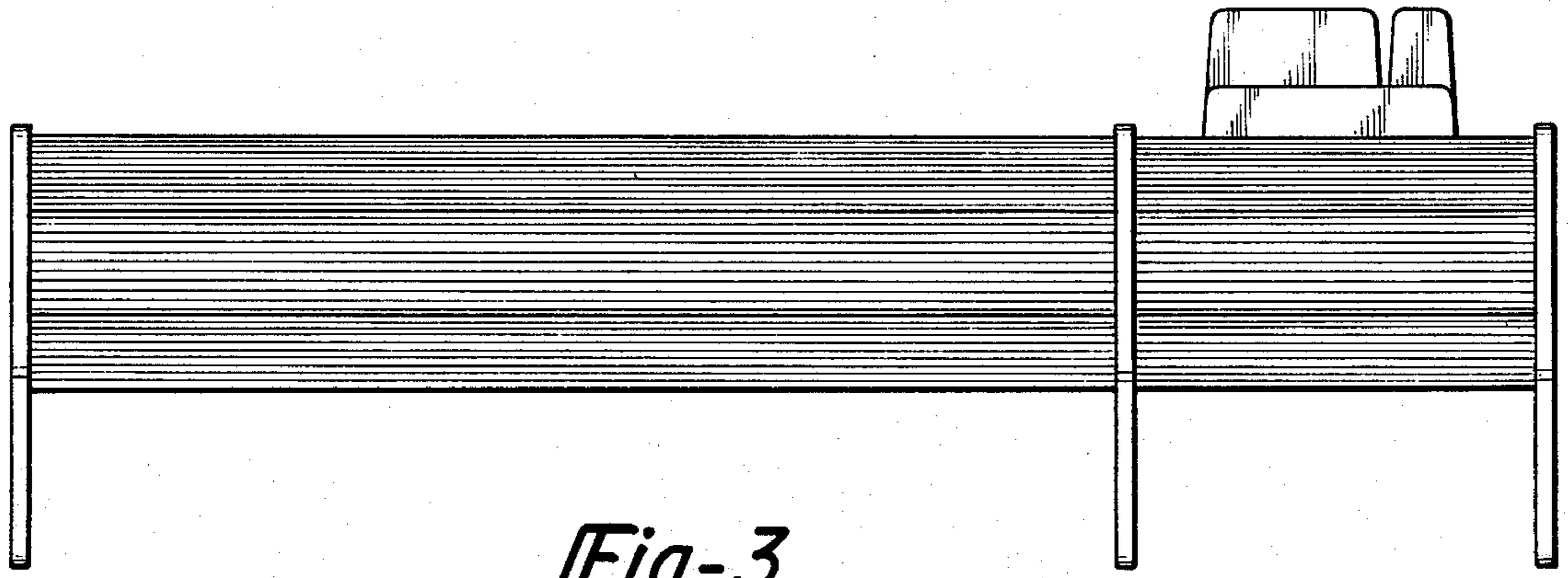


Fig-3

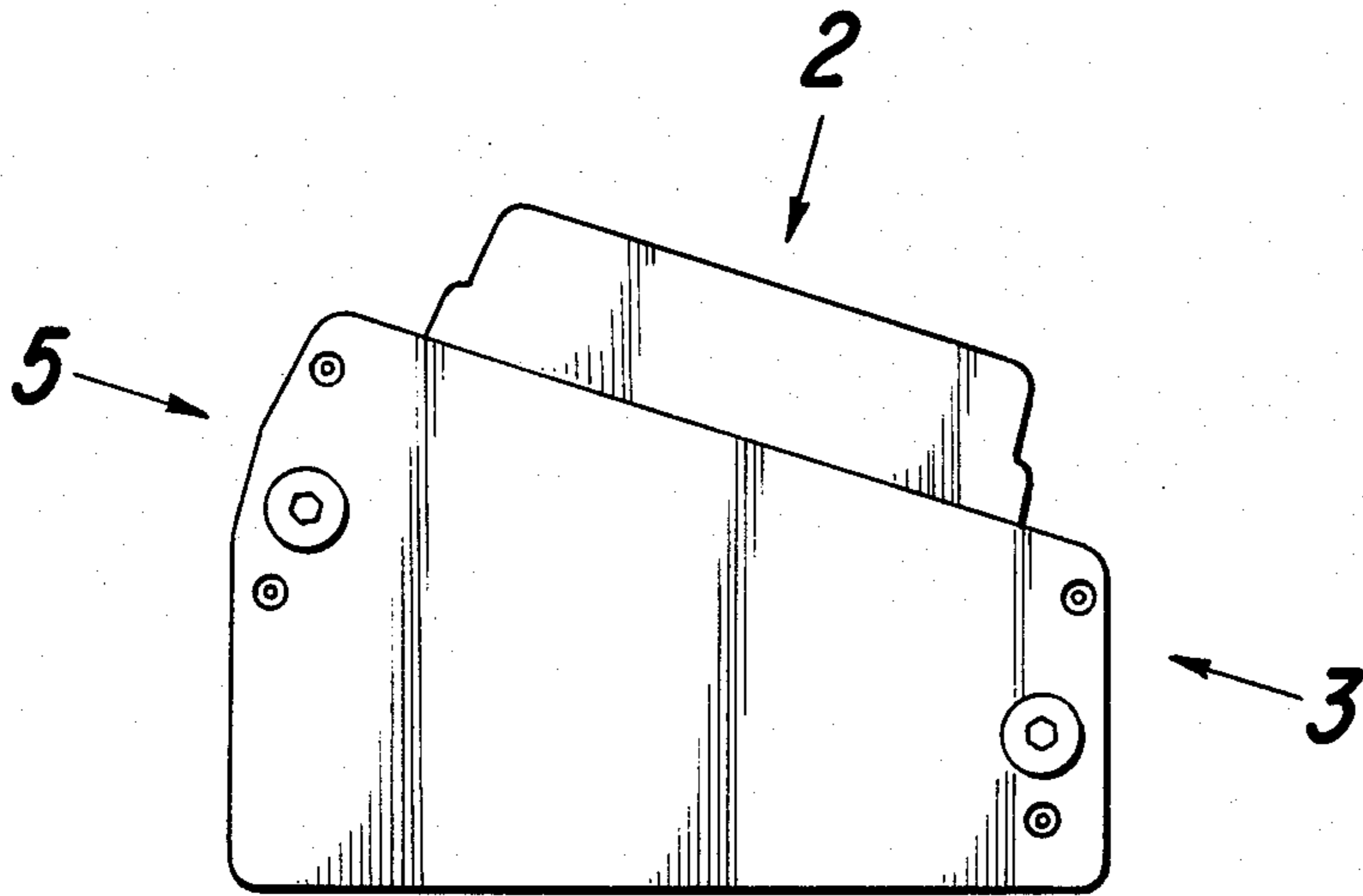


Fig-4

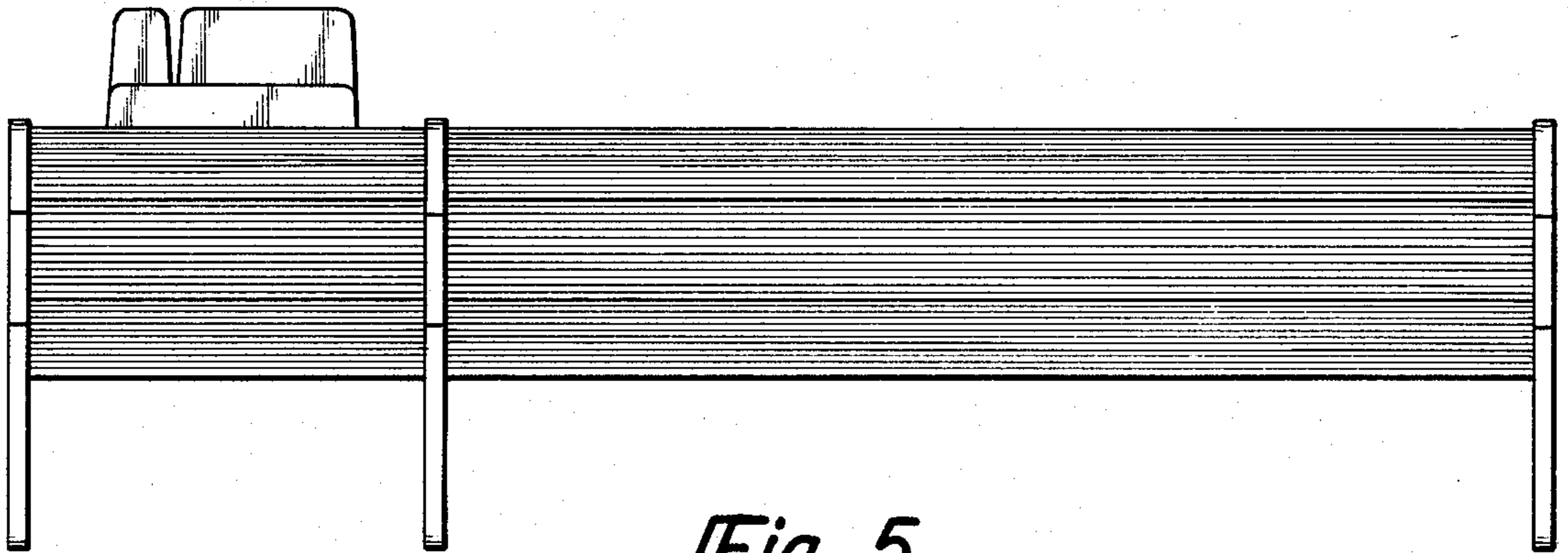


Fig-5



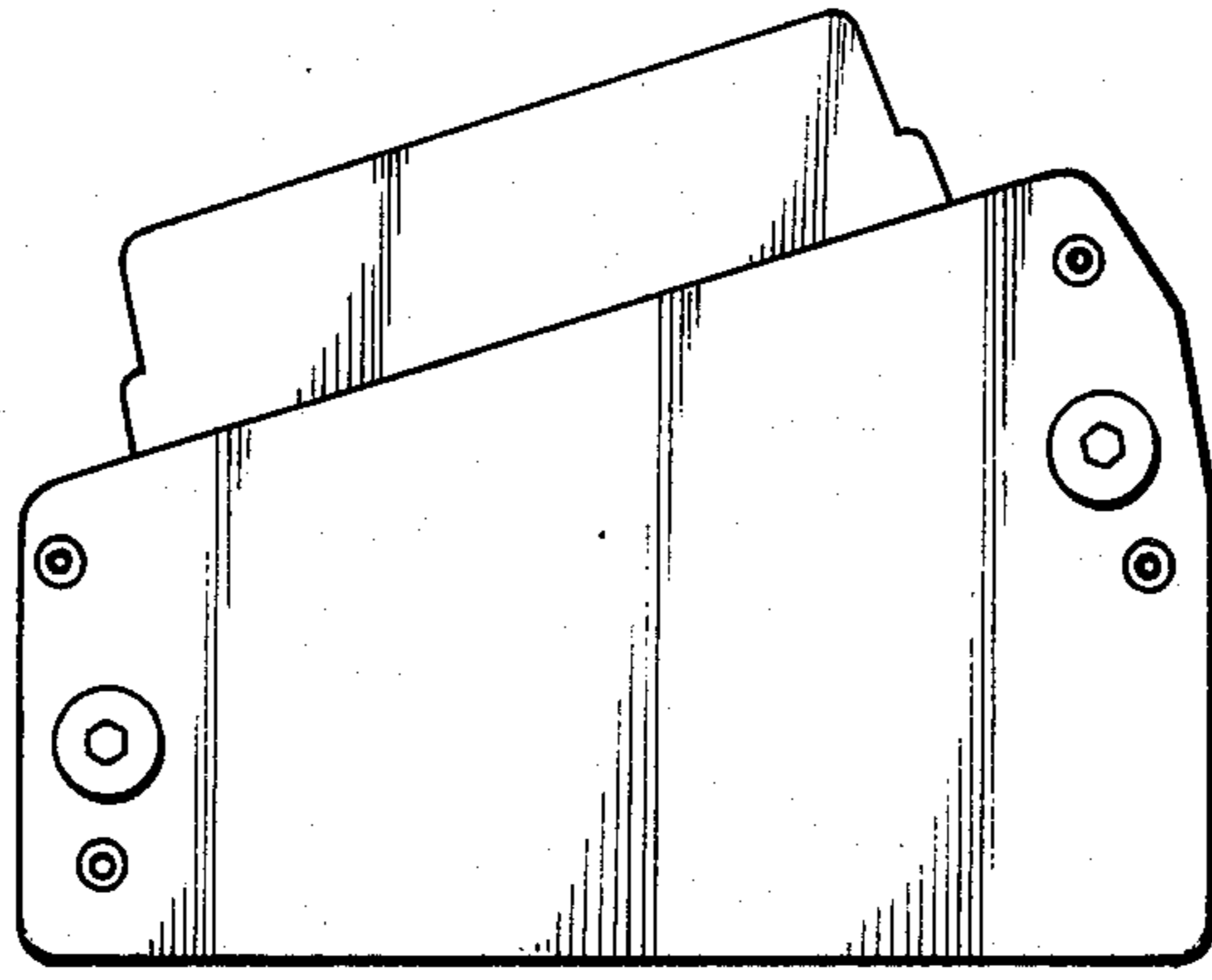


Fig-6 <sup>7</sup>

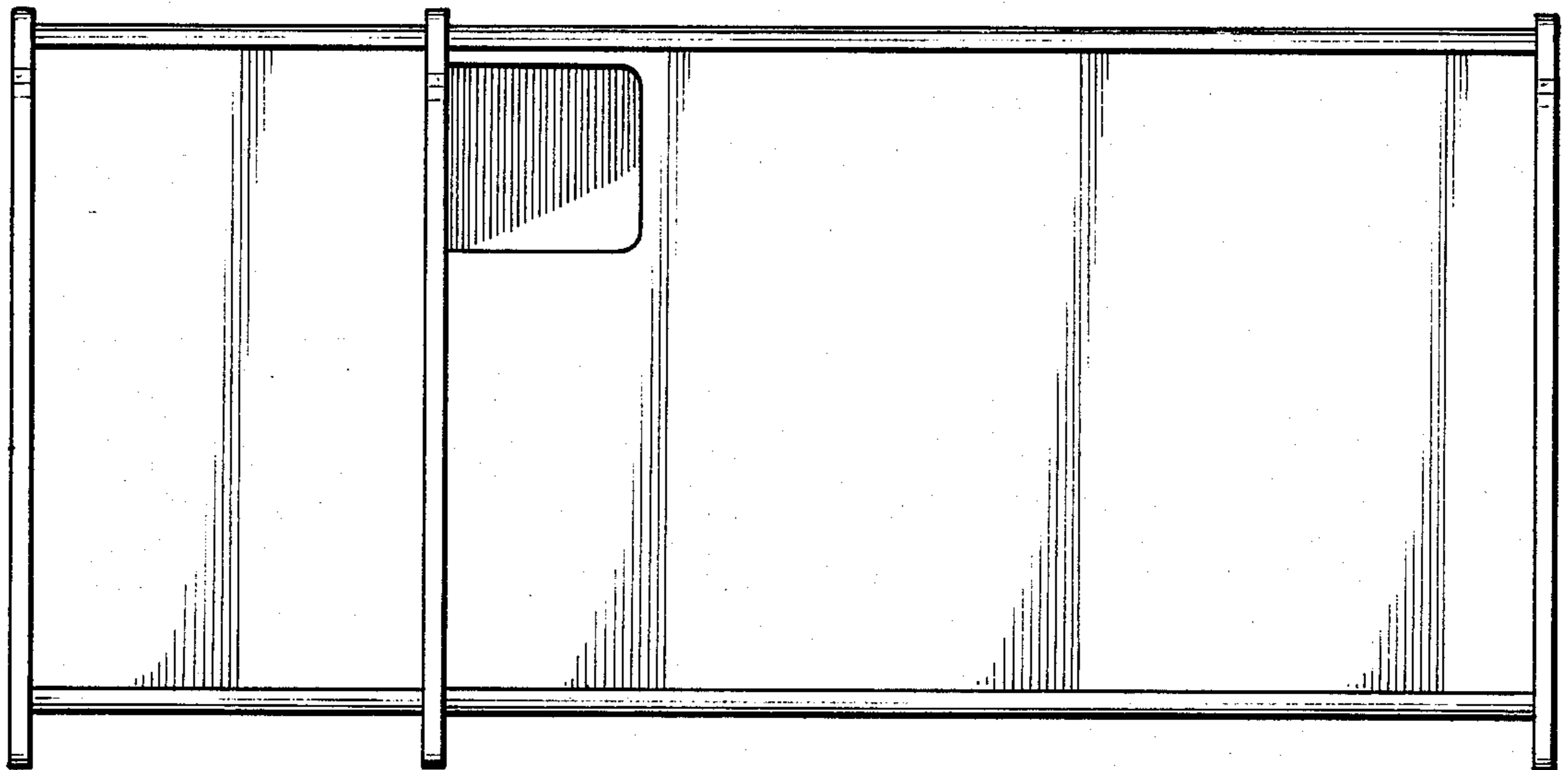


Fig-7