

[54] **SWITCH PANEL**
 [76] **Inventor: Ted J. Ellis, Jr., 60215 Missouri Ave., Goshen, Ind. 46526**
 [**] **Term: 14 Years**
 [21] **Appl. No.: 757,007**
 [22] **Filed: Jul. 19, 1985**
 [52] **U.S. Cl. D13/35**
 [58] **Field of Search D13/32, 35, 38; 200/159 R, 159 A, 159 B, 238-239, 293, 296-297, 303, 308, 333, 340, DIG. 25, 85 R, 5 D, 5 E; 361/142; D8/353; 250/239**

3,398,290 8/1968 Basehore et al. 250/239
 3,526,775 9/1970 Friedrich et al. 250/221
 3,766,351 10/1973 Cryer 200/168 K
 3,999,160 12/1976 McDonnell 340/119
 4,130,744 12/1978 Beecher, II et al. 200/5 E
 4,224,484 9/1980 Haas et al. 200/38 FB
 4,340,813 7/1982 Sauer 250/221
 4,387,367 6/1983 Flaber 340/365 P
 4,423,465 12/1983 Teng-Ching 361/394

Primary Examiner—Bruce W. Dunkins
Assistant Examiner—Ruth Takemoto
Attorney, Agent, or Firm—Price, Heneveld, Cooper, DeWitt & Litton

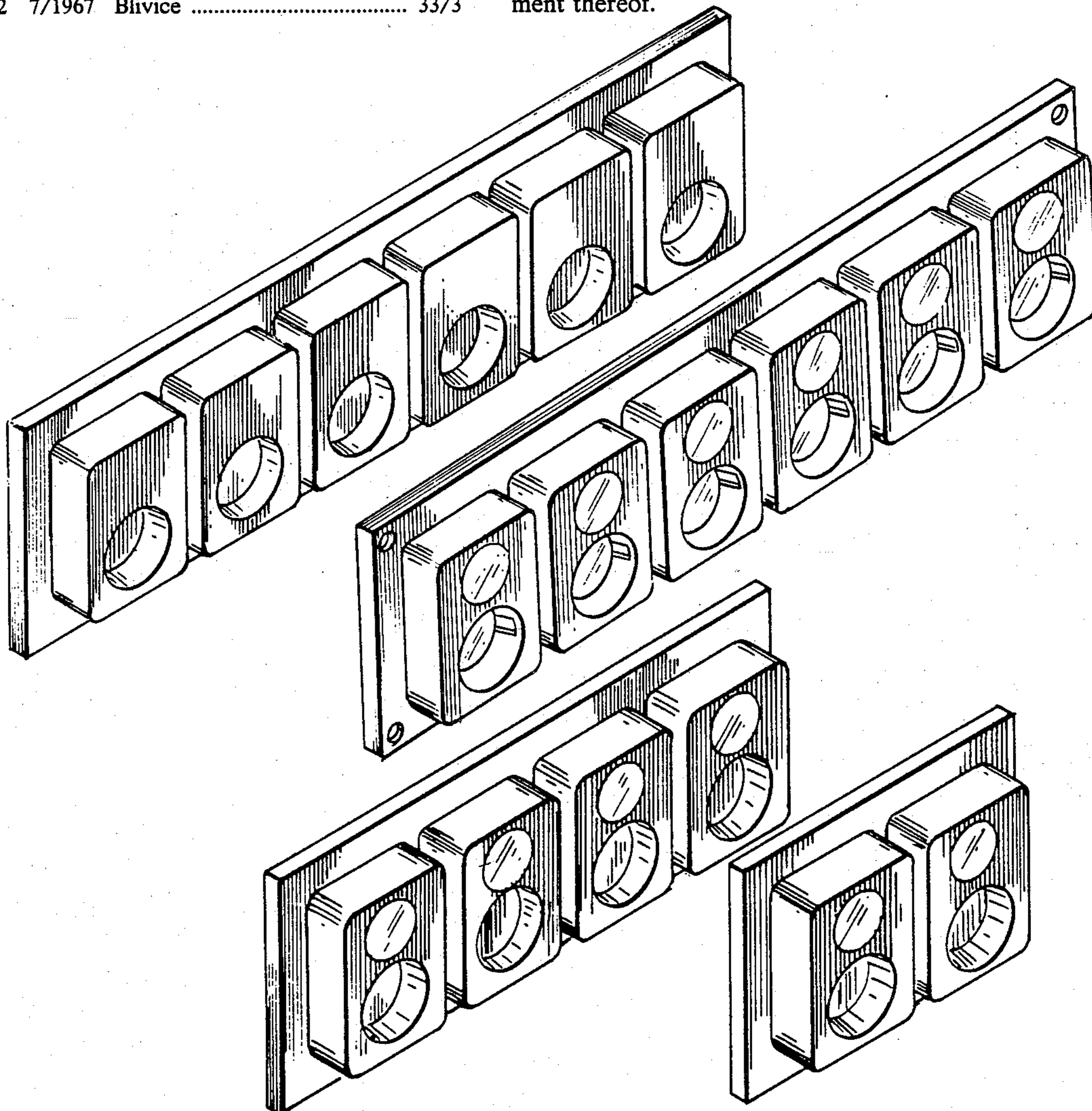
[56] **References Cited**
U.S. PATENT DOCUMENTS

D. 60,383 2/1922 Steeple .
 D. 106,369 10/1937 Lantz, Jr. .
 D. 118,987 2/1940 Reinecke .
 D. 188,324 7/1960 Brown D13/32
 D. 212,093 8/1968 DeSmidt et al. .
 D. 214,990 8/1969 Mellyn D13/32
 D. 234,599 3/1975 Fossella et al. D18/7
 D. 238,048 12/1975 Bertoncei D8/353
 D. 282,462 2/1986 Hart D13/32
 1,230,643 6/1917 Anderson .
 2,228,780 1/1941 Roberts 250/41.5
 3,328,592 7/1967 Shawll 250/221
 3,328,882 7/1967 Blivice 33/3

[57] **CLAIM**
 The ornamental design for a switch panel, as shown and described.

DESCRIPTION

FIG. 1 is a front perspective view of a switch panel showing my new design;
 FIG. 2 is a rear perspective view thereof;
 FIG. 3 is a front perspective view of a second embodiment thereof;
 FIG. 4 is a rear perspective view thereof;
 FIG. 5 is a front perspective view of a third embodiment thereof; and,
 FIG. 6 is a front perspective view of a fourth embodiment thereof.



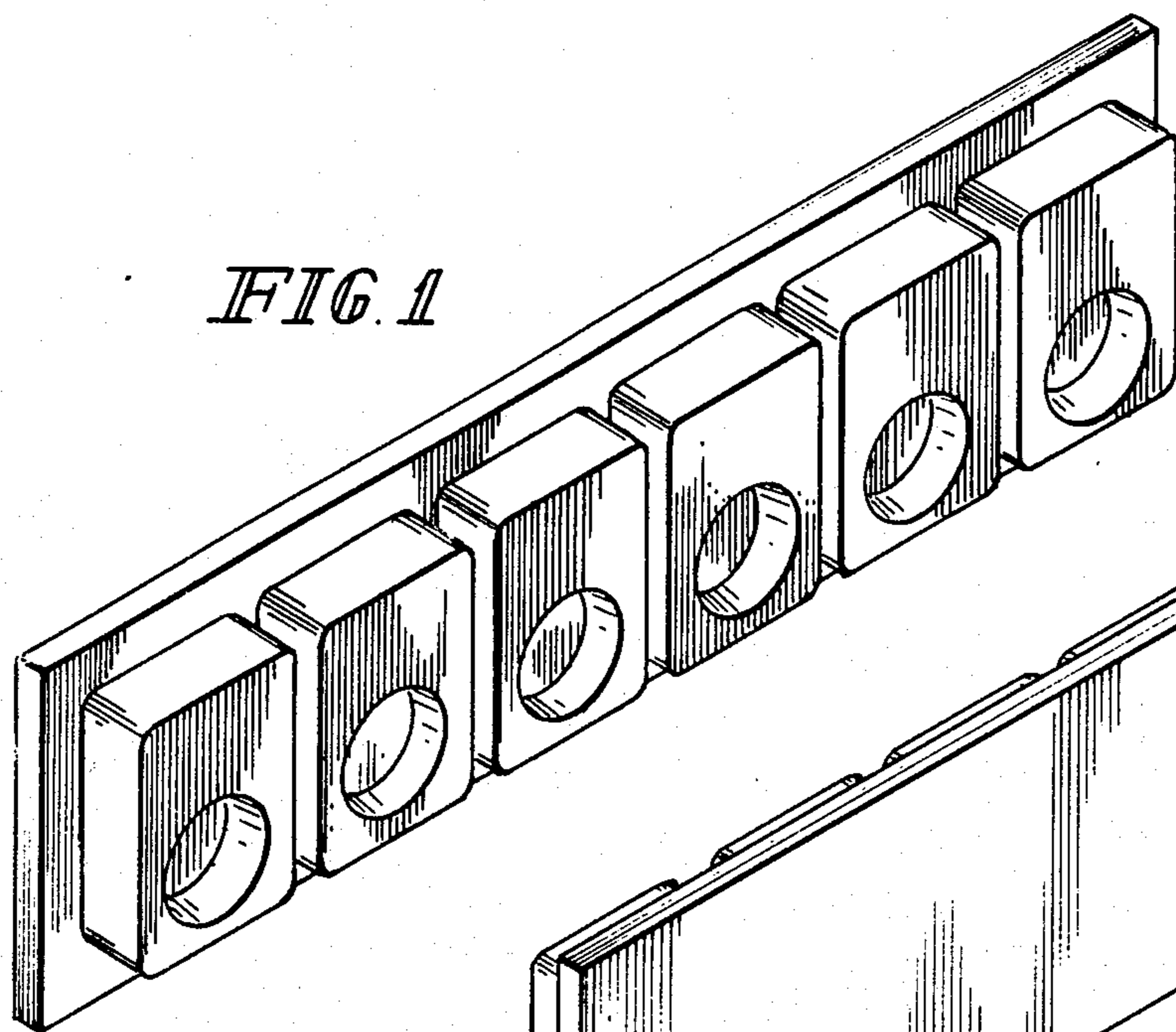


FIG. 1

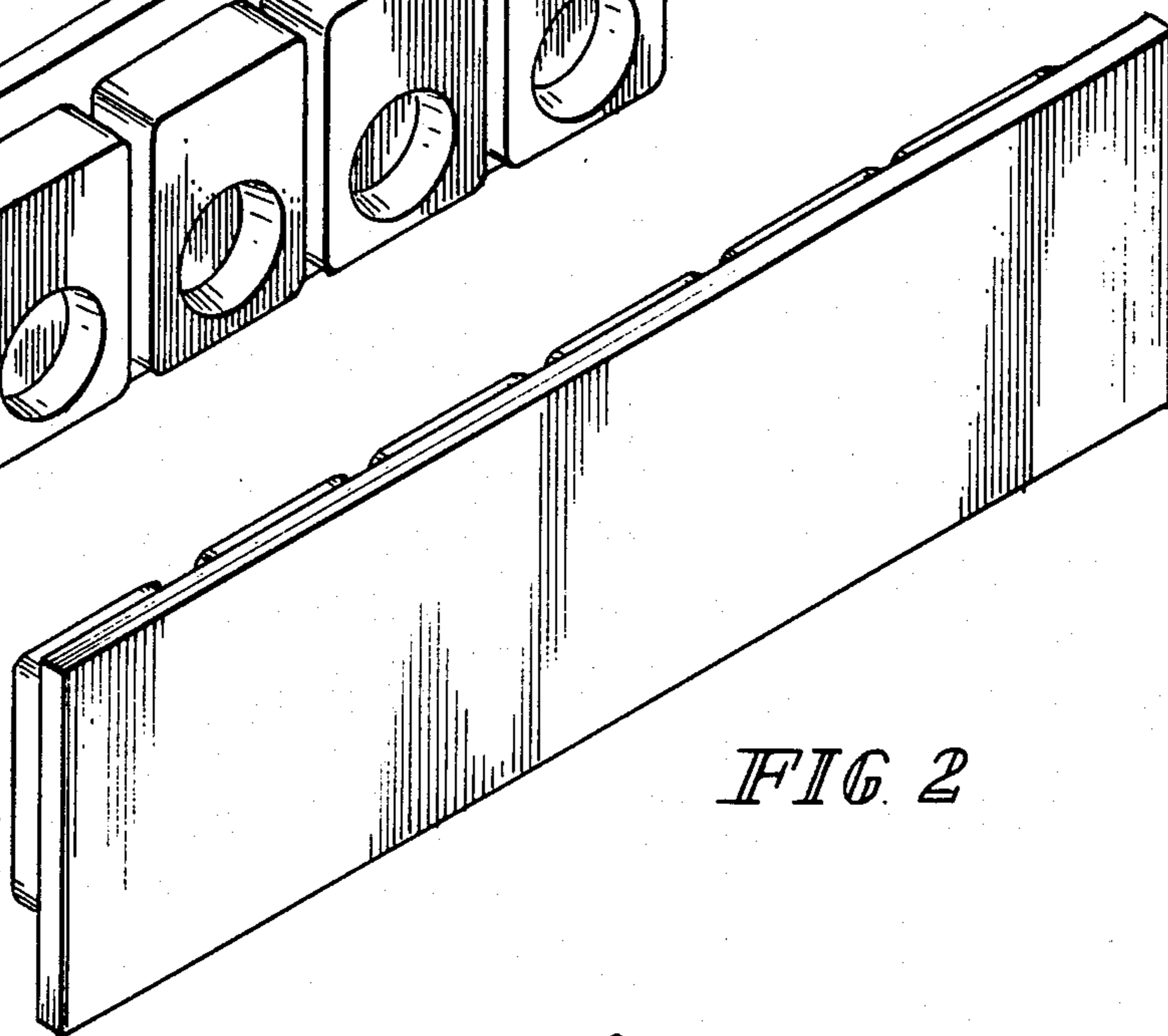


FIG. 2

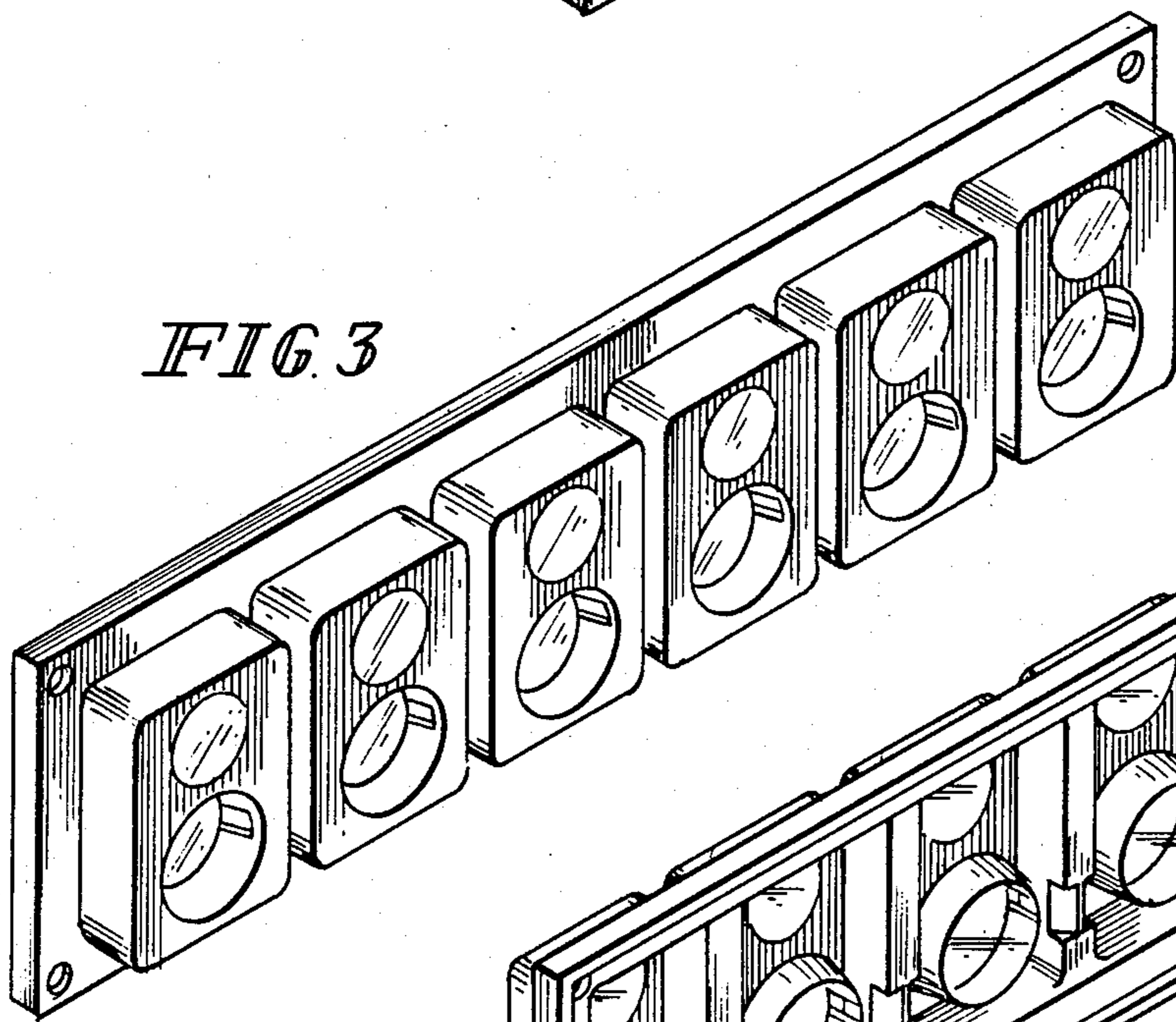


FIG. 3

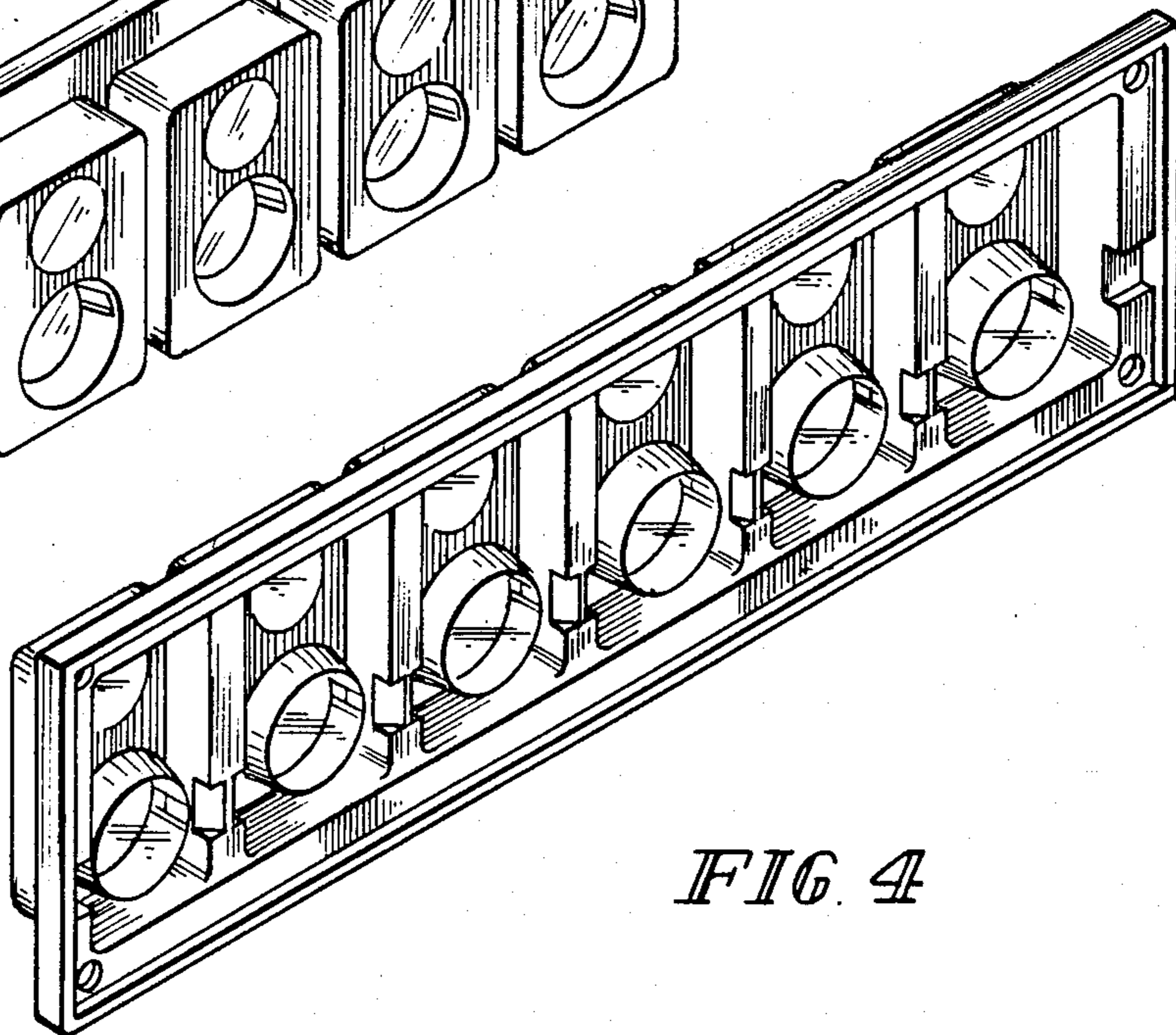


FIG. 4

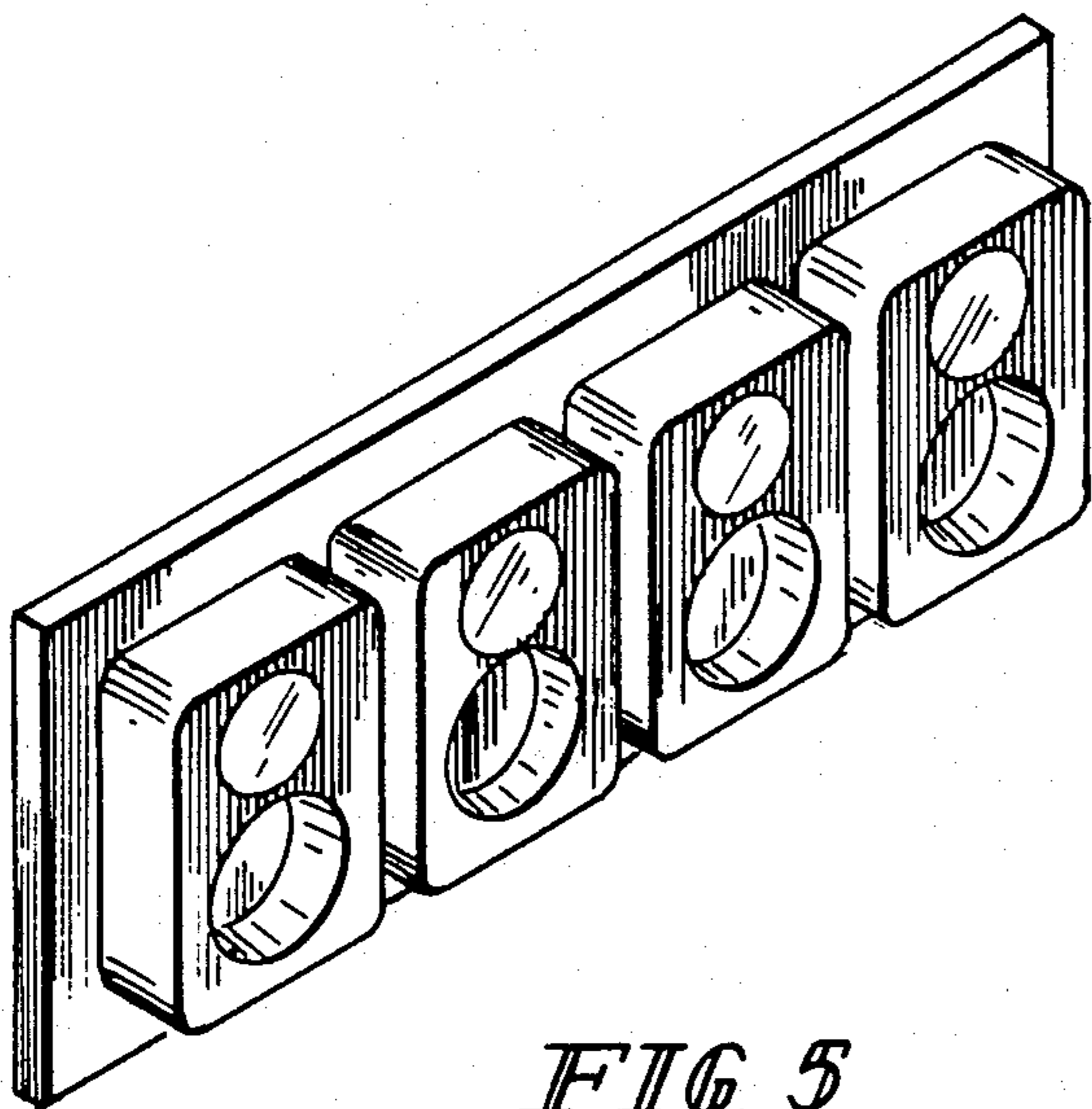


FIG. 5

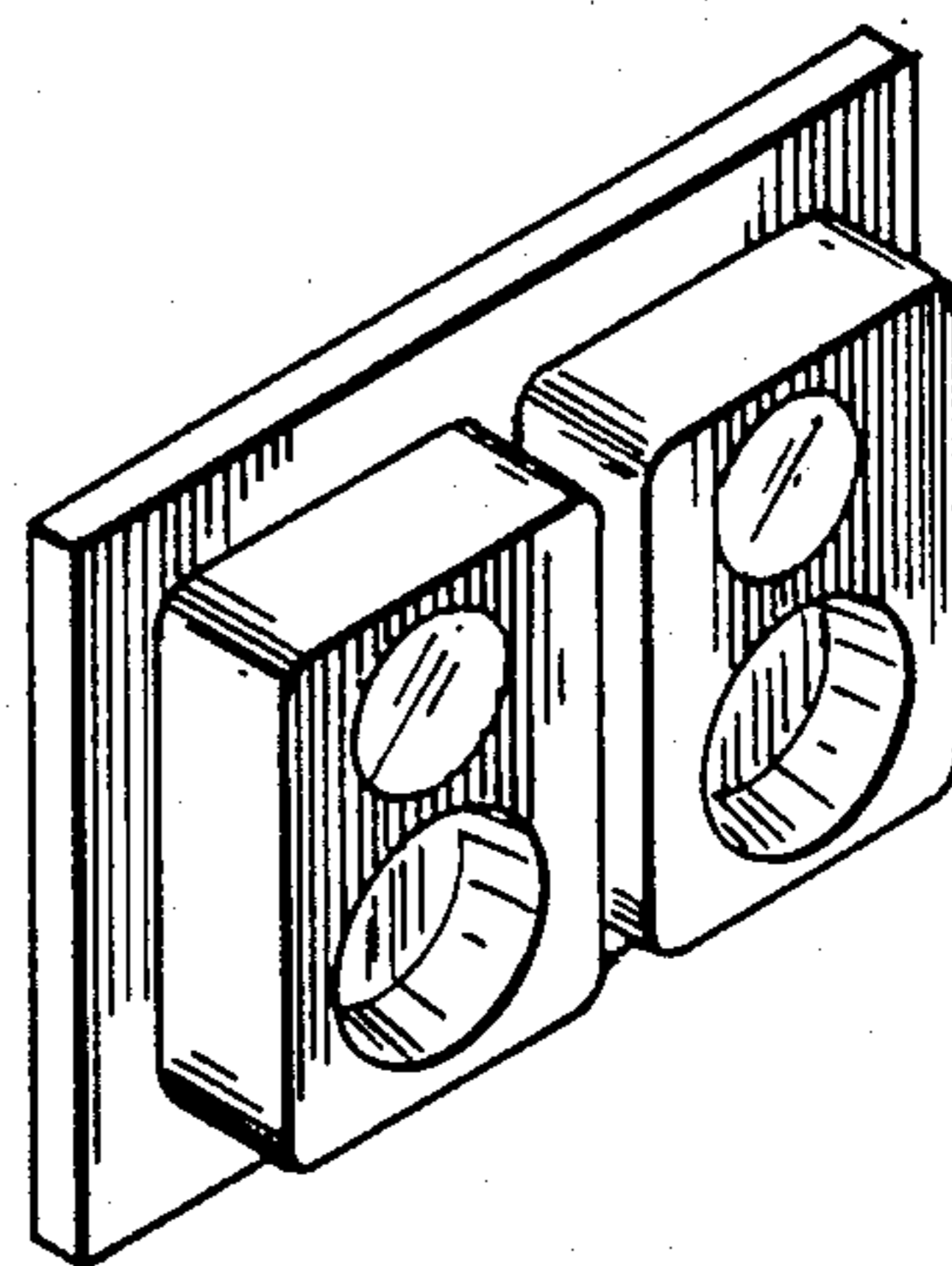


FIG. 6