

[54] TRANSMITTER FOR WIRELESS LIGHT DIMMER SYSTEM

[75] Inventor: Joel S. Spira, Coopersburg, Pa.

[73] Assignee: Lutron Electronics Co., Inc., Coopersburg, Pa.

[**] Term: 14 Years

[21] Appl. No.: 79,746

[22] Filed: Jul. 30, 1987

[52] U.S. Cl. D13/32

[58] Field of Search D14/85, 99, 68; D13/12, D13/32, 40-41, 99; 315/224, 291, 295, 239, 199; 362/257; 340/825.71-825.73; 455/603

[56] References Cited

U.S. PATENT DOCUMENTS

D. 167,828	9/1952	Florac	D14/68
D. 227,577	7/1973	Mayo	D13/37
D. 280,896	10/1985	Campbell et al.	D14/95
D. 290,356	6/1987	Fisher	D14/95

OTHER PUBLICATIONS

Hong Kong Enterprise, 11/1954, p. 321, "Brighten Electronics, Co. Remote Control Devices".

Hong Kong Enterprise, 1/1985, p. 329, "Clover Electric Co. Ltd. Remote Controls".

Primary Examiner—Bruce W. Dunkins

Assistant Examiner—Ruth Takemoto

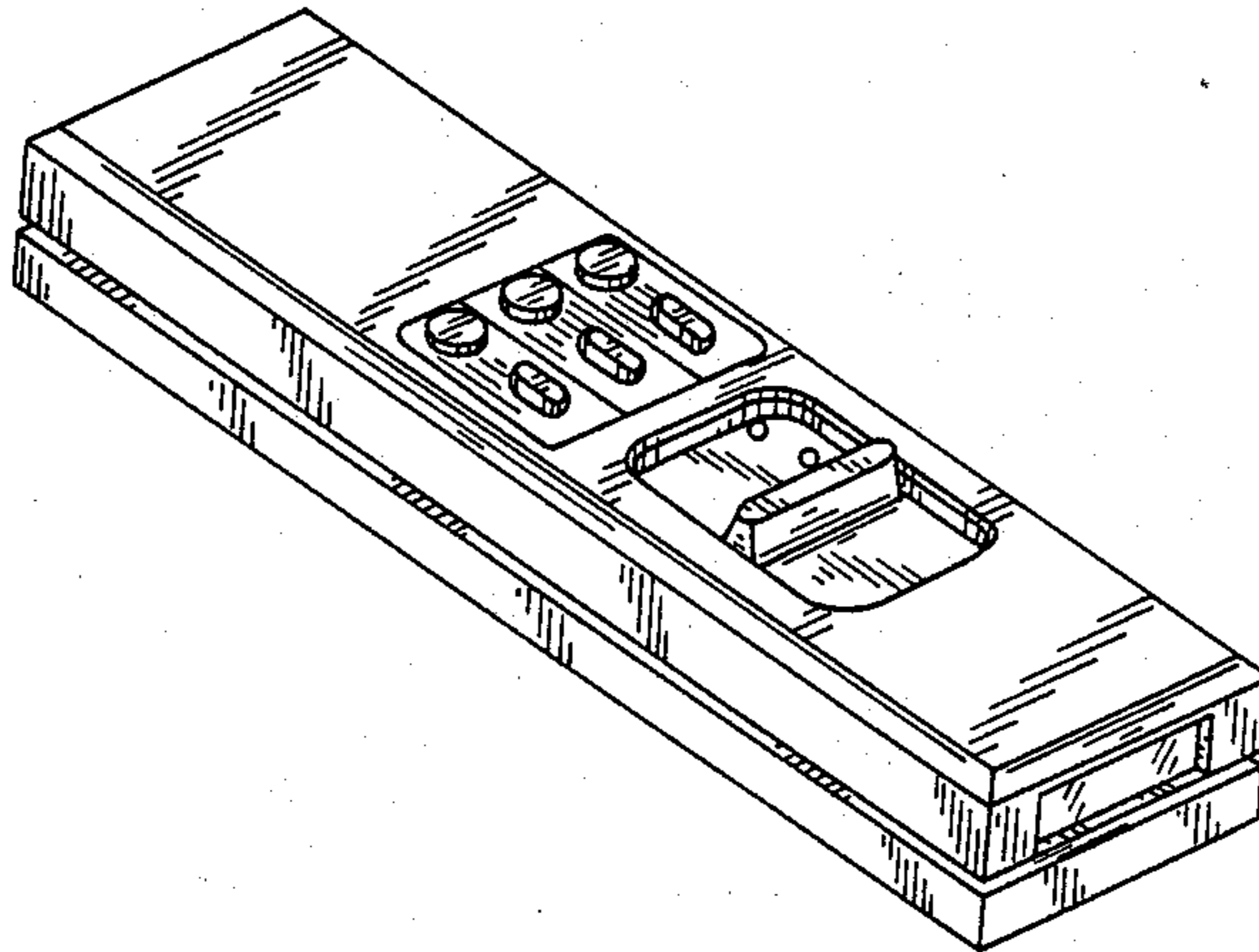
Attorney, Agent, or Firm—Seidel, Gonda, Lavorgna & Monaco

CLAIM

[57] The ornamental design for a transmitter for wireless light dimmer system, as shown and described.

DESCRIPTION

FIG. 1 is a perspective view of a transmitter for a wireless light dimmer system showing our new design; FIG. 2 is a top plan view thereof; FIG. 3 is a bottom plan view thereof; FIG. 4 is a side elevational view thereof; FIG. 5 is an end elevational view thereof; and FIG. 6 is an end elevational view thereof, of the opposite side of FIG. 5.



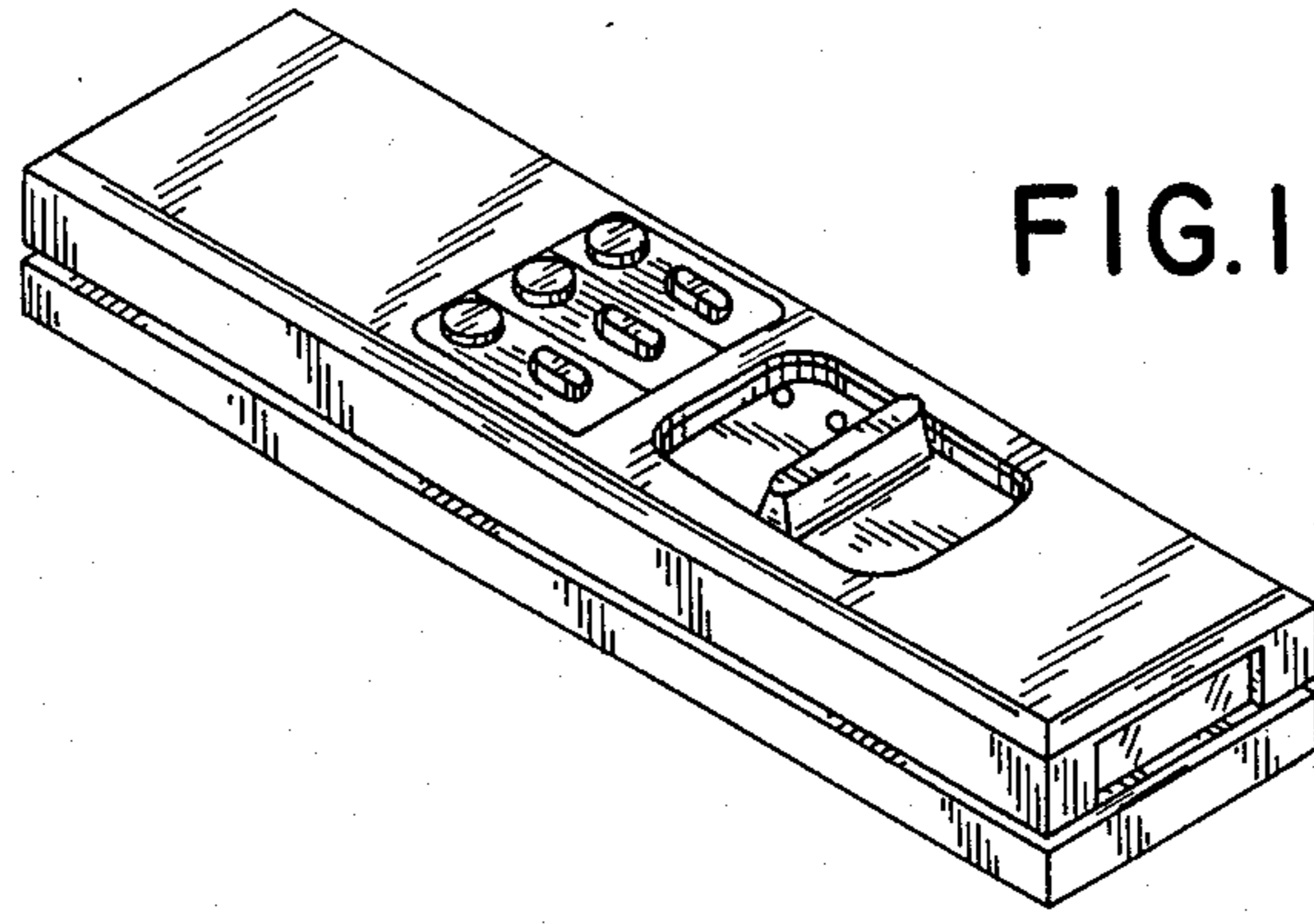


FIG. 1

FIG. 2

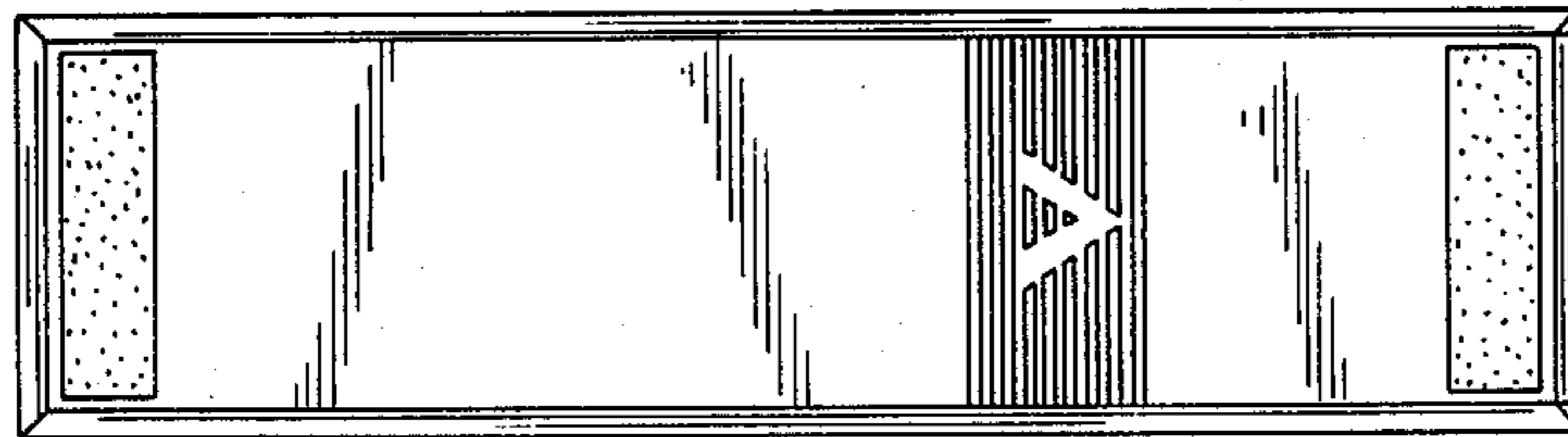
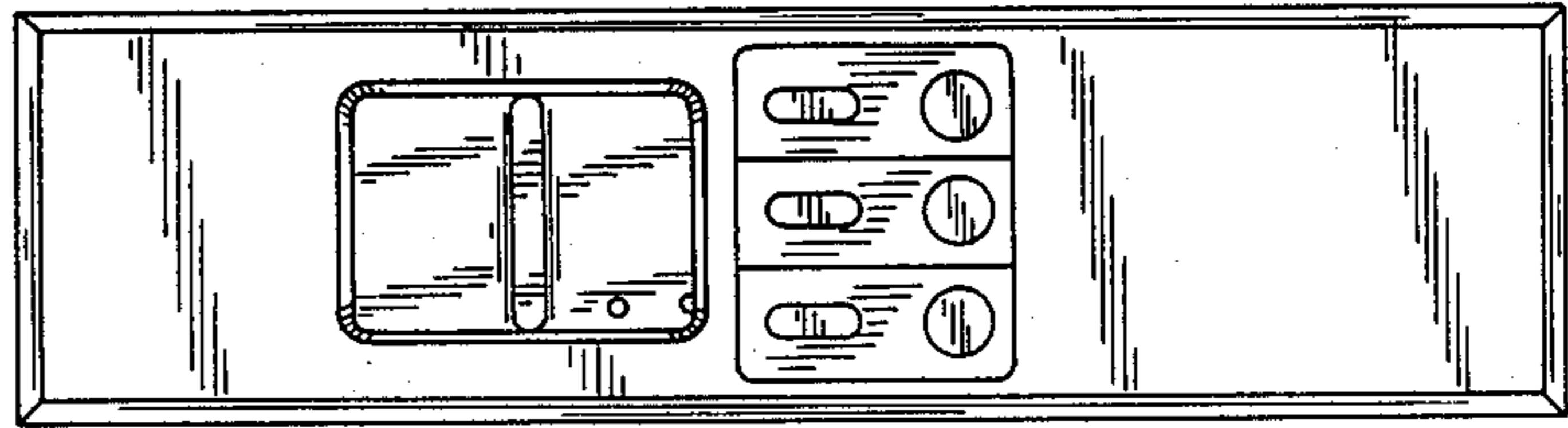


FIG. 3

FIG. 4

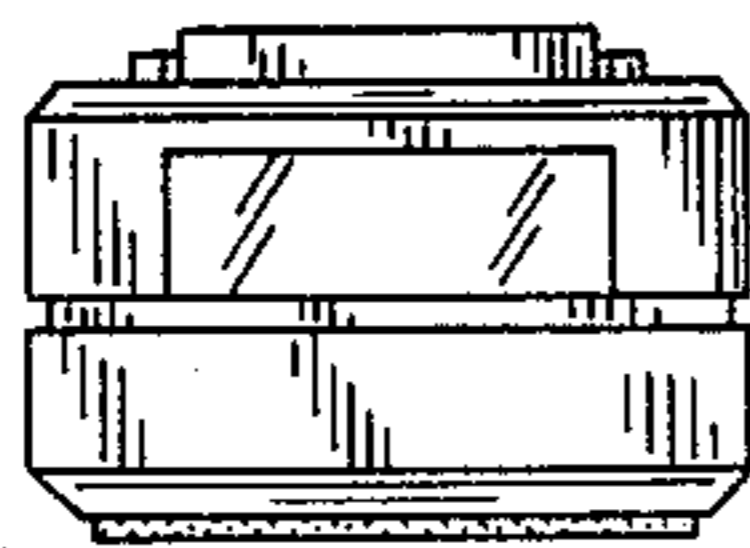
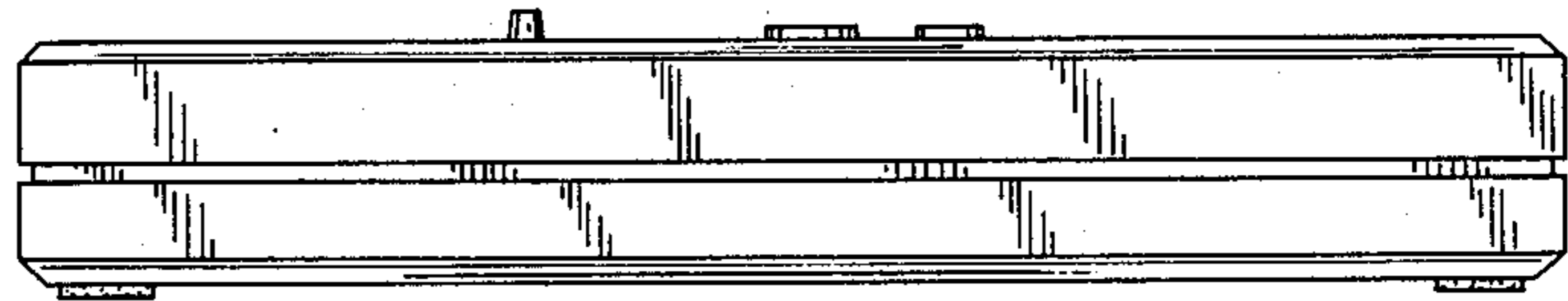


FIG. 5

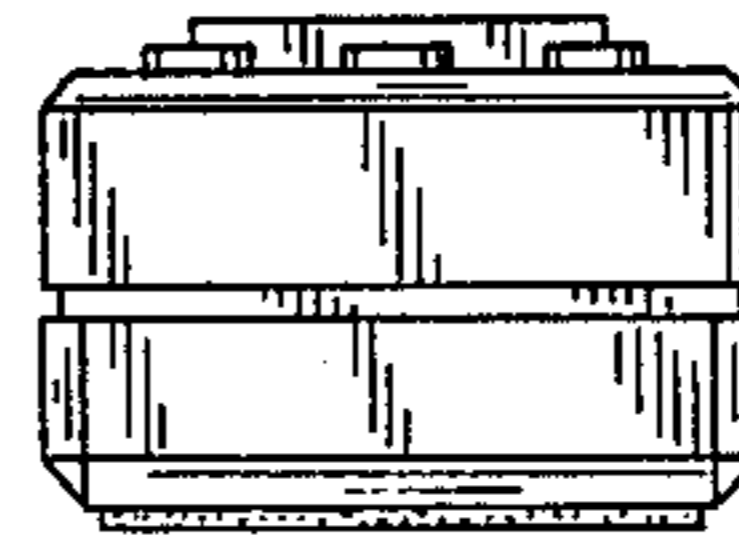


FIG. 6