

[54] TRANSMITTER FOR WIRELESS LIGHT SWITCHING SYSTEM

[75] Inventors: Noel Mayo, Philadelphia; Joel S. Spira, Coopersburg, both of Pa.; Raphael K. T. Tang, Belmont, Mass.

[73] Assignee: Lutron Electronics Co., Inc., Coopersburg, Pa.

[\*\*] Term: 14 Years

[21] Appl. No.: 79,863

[22] Filed: Jul. 30, 1987

[52] U.S. Cl. .... D13/32

[58] Field of Search ..... D14/85, 99, 68; D13/12, D13/32, 40-41, 99; 315/224, 291, 295, 199, 239; 362/257; 340/825.71-825.73; 455/603

[56] References Cited

U.S. PATENT DOCUMENTS

- D. 167,828 9/1952 Florac ..... D14/68
- D. 280,896 10/1985 Campbell et al. .... D14/95
- D. 290,356 6/1987 Fisher ..... D14/95

OTHER PUBLICATIONS

Hong Kong Enterprise, 11/1984, p. 321, "Brighten Electronics, Co. Remote Control Devices".  
Hong Kong Enterprise, 1/1985, p. 329, "Clover Electric Co. Ltd. Remote Controls".

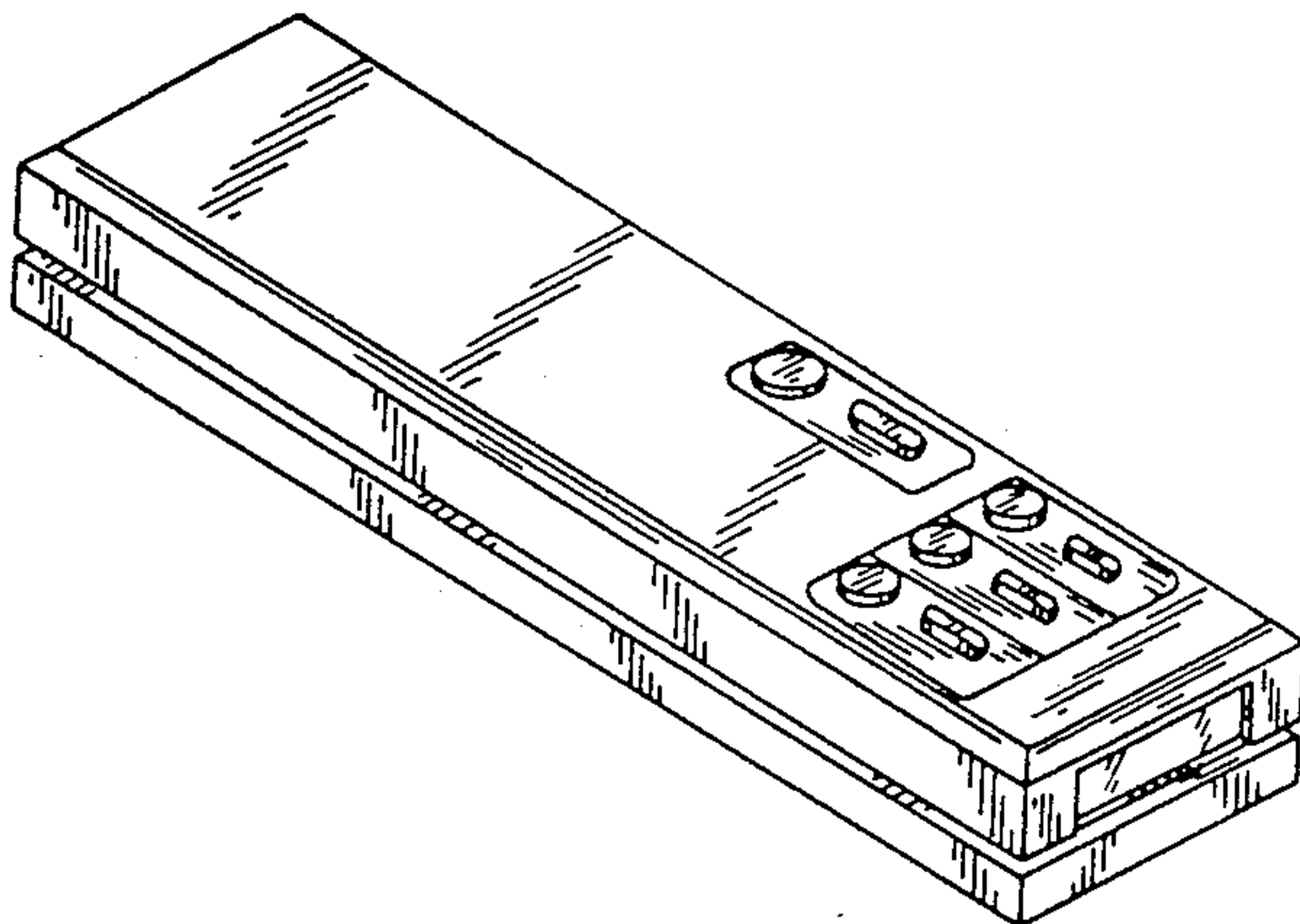
Primary Examiner—Bruce W. Dunkins  
Assistant Examiner—Ruth Takemoto  
Attorney, Agent, or Firm—Seidel, Gonda, Lavorgna & Monaco

[57] CLAIM

The ornamental design for a transmitter for wireless light switching system, as shown and described.

DESCRIPTION

FIG. 1 is a perspective view of a transmitter for a wireless light switching system showing our new design; FIG. 2 is a top plan view thereof; FIG. 3 is a bottom plan view thereof; FIG. 4 is a side elevational view thereof; FIG. 5 is an end elevational view thereof; and FIG. 6 is an end elevational view thereof, of the opposite side of FIG. 5.



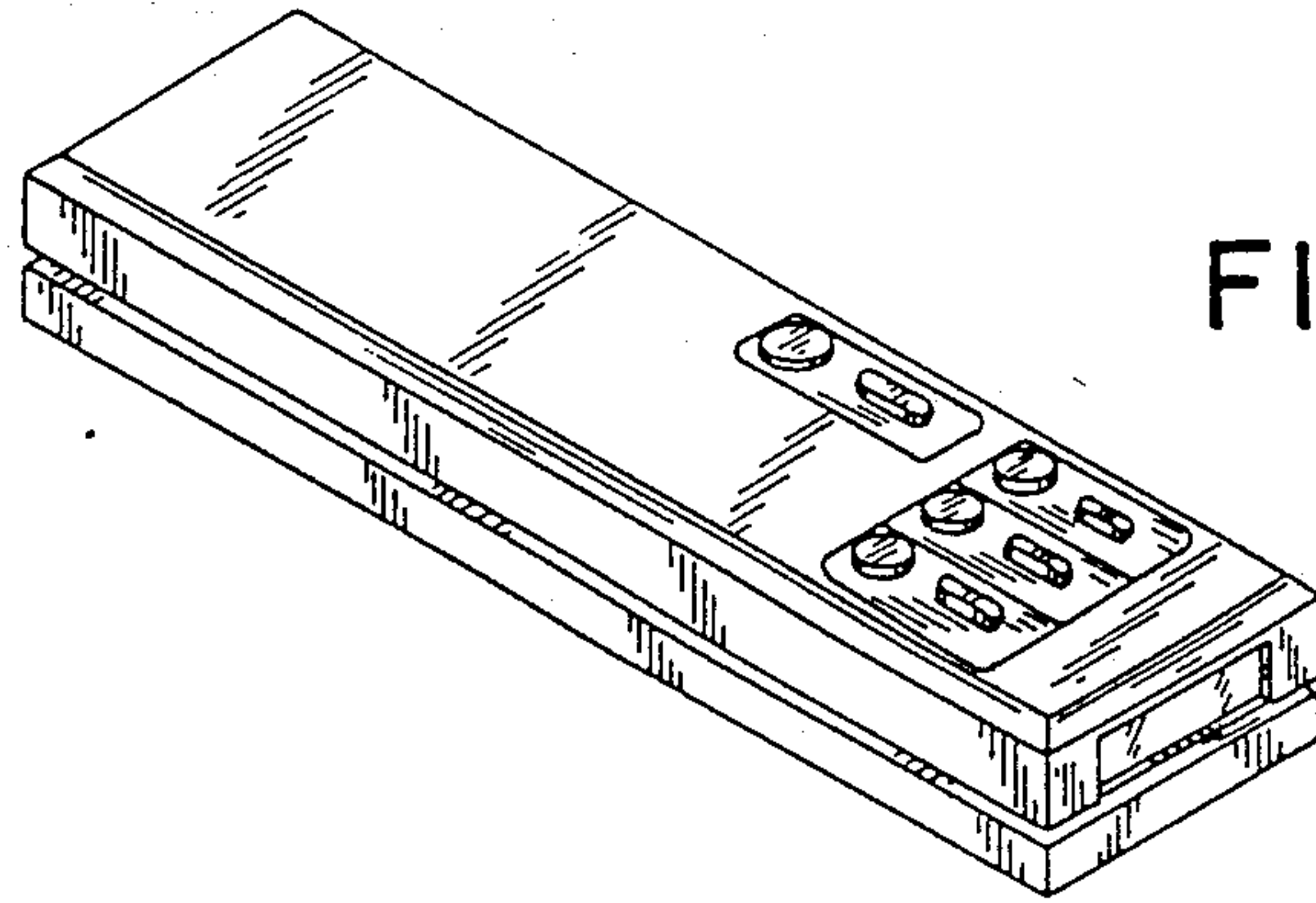


FIG. 1

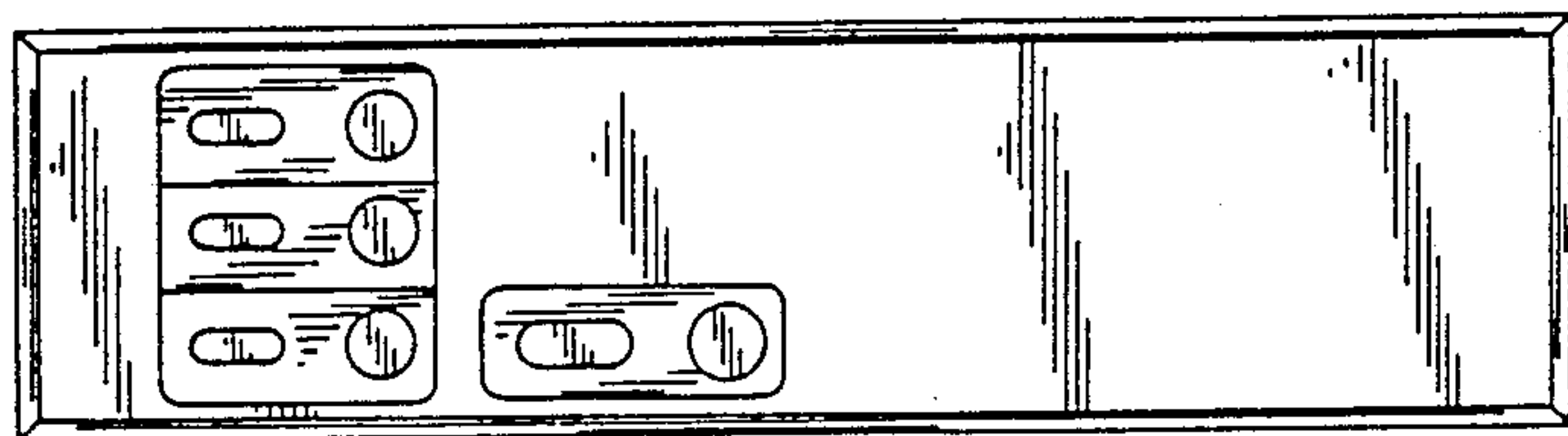


FIG. 2

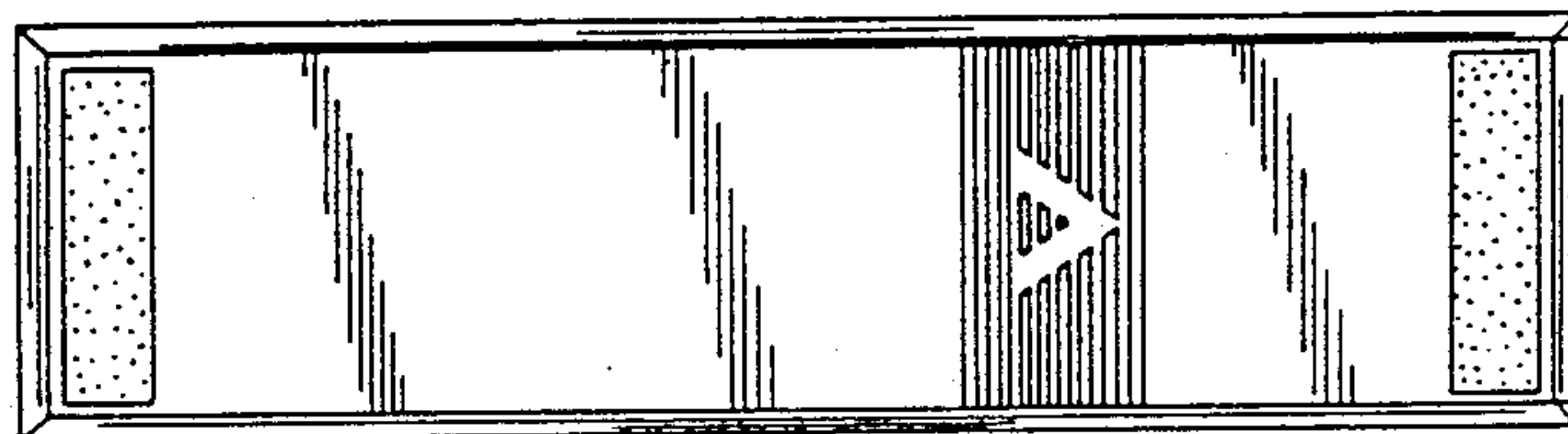


FIG. 3

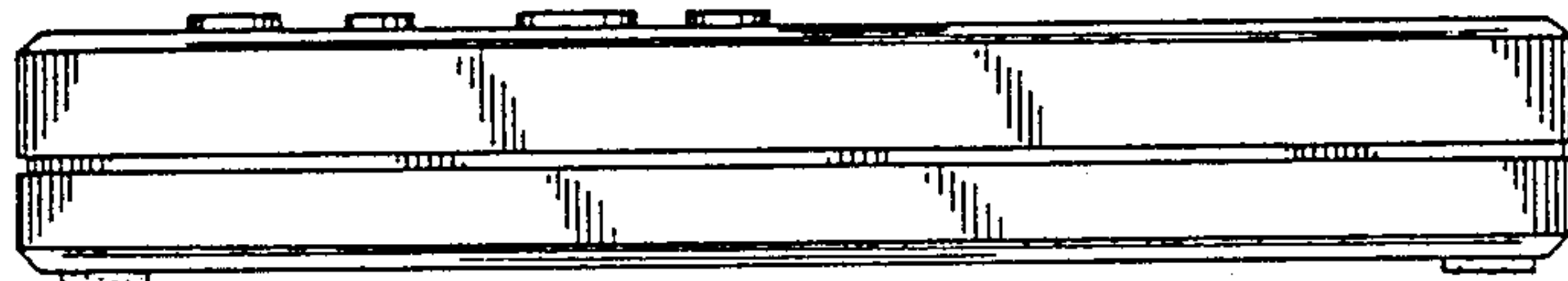


FIG. 4

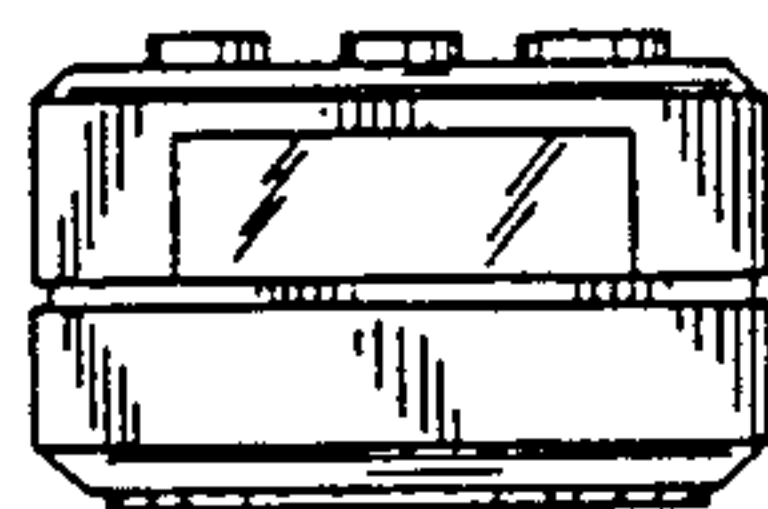


FIG. 5



FIG. 6