

[54] TIRE

[75] Inventor: Luigi Maiocchi, Vernate Fraz. Moncucco, Italy

[73] Assignee: Pirelli Coordinamento Pneumatici S.p.A., Italy

[\*\*] Term: 14 Years

[21] Appl. No.: 880,324

[22] Filed: Jun. 30, 1986

[30] Foreign Application Priority Data

Jan. 24, 1986 [IT] Italy ..... 20731/86[U]  
[52] U.S. Cl. .... D12/143  
[58] Field of Search ..... D12/141-143, D12/146-148; 152/209 R, 209 D, 209 B

[56] References Cited

U.S. PATENT DOCUMENTS

D. 290,941 7/1987 Matsuda ..... D12/142

FOREIGN PATENT DOCUMENTS

197409 10/1985 Japan ..... 152/209 D

OTHER PUBLICATIONS

1985 Tread Design Guide, p. 149, Carleton Maxi-Service A/P Tire, Second Tire in from bottom right side of page.  
1985 Tread Design Guide, p. 160, General Ameri LPR Tire, Second Tire in from top right side of page.

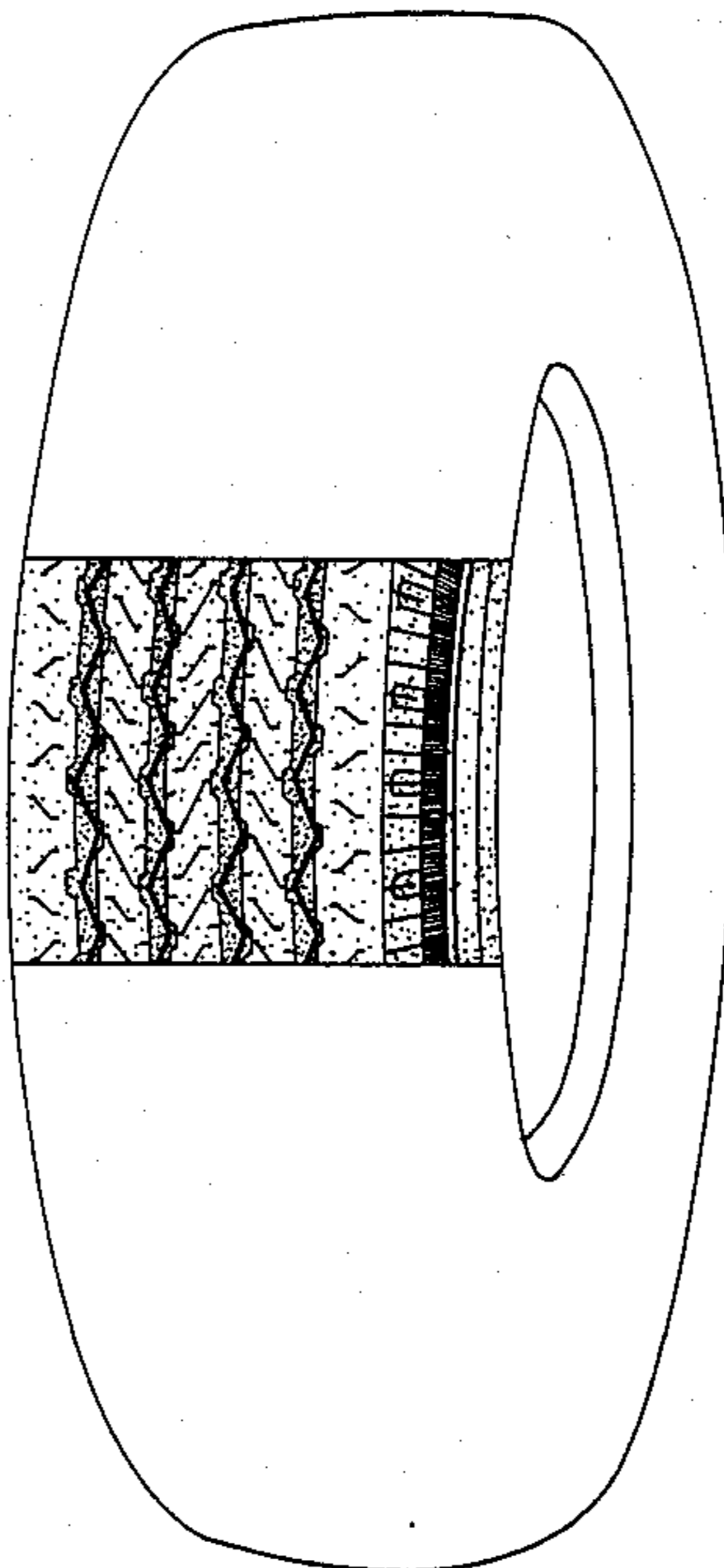
Primary Examiner—James M. Gandy  
Attorney, Agent, or Firm—Stevens, Davis, Miller & Mosher

[57] CLAIM

The ornamental design for a tire, as shown and described.

DESCRIPTION

FIG. 1 is a perspective view of a tire showing my new design, it being understood that the tread design is repeated uniformly throughout the circumference, the tire as shown schematically in solid lines and the opposite side is the same as that shown;  
FIG. 2 is a front elevation view thereof; and  
FIG. 3 is a side elevation view thereof.



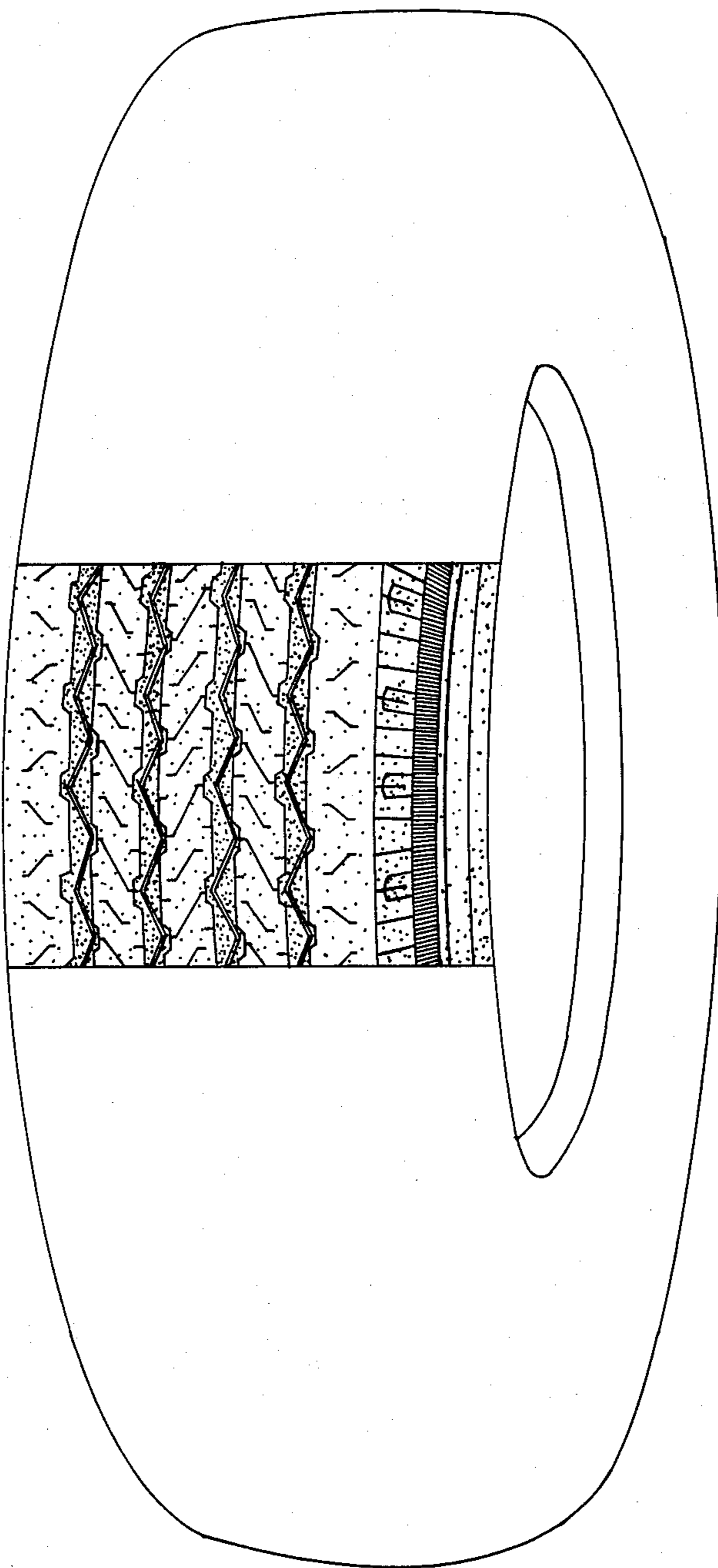


FIG 1

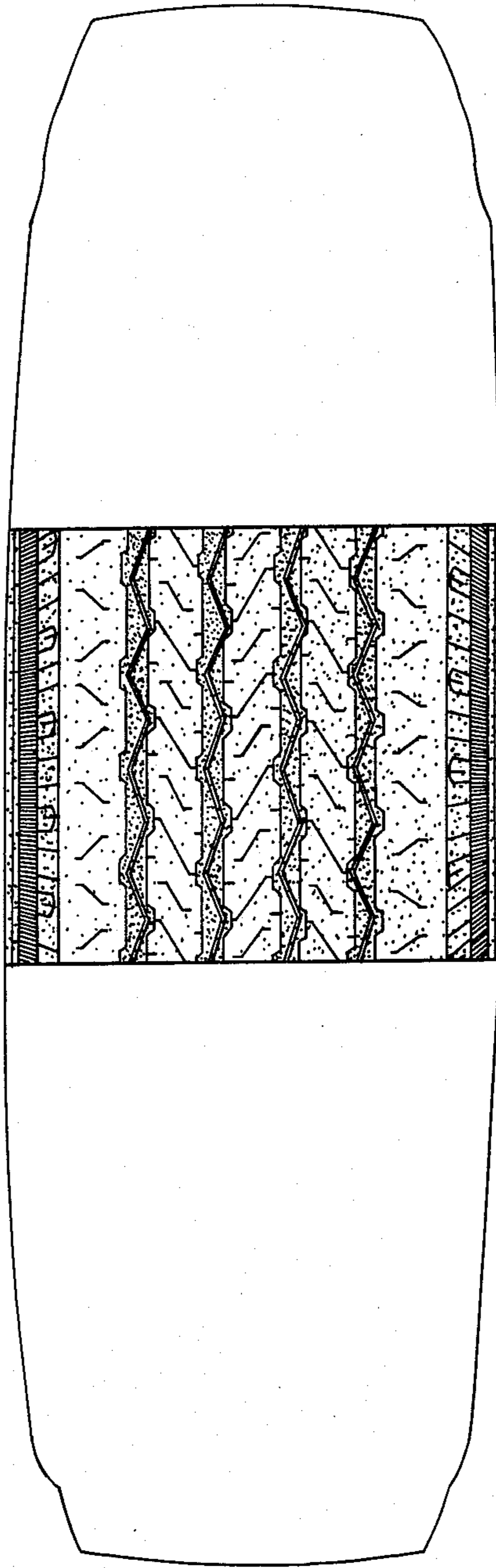


FIG 2

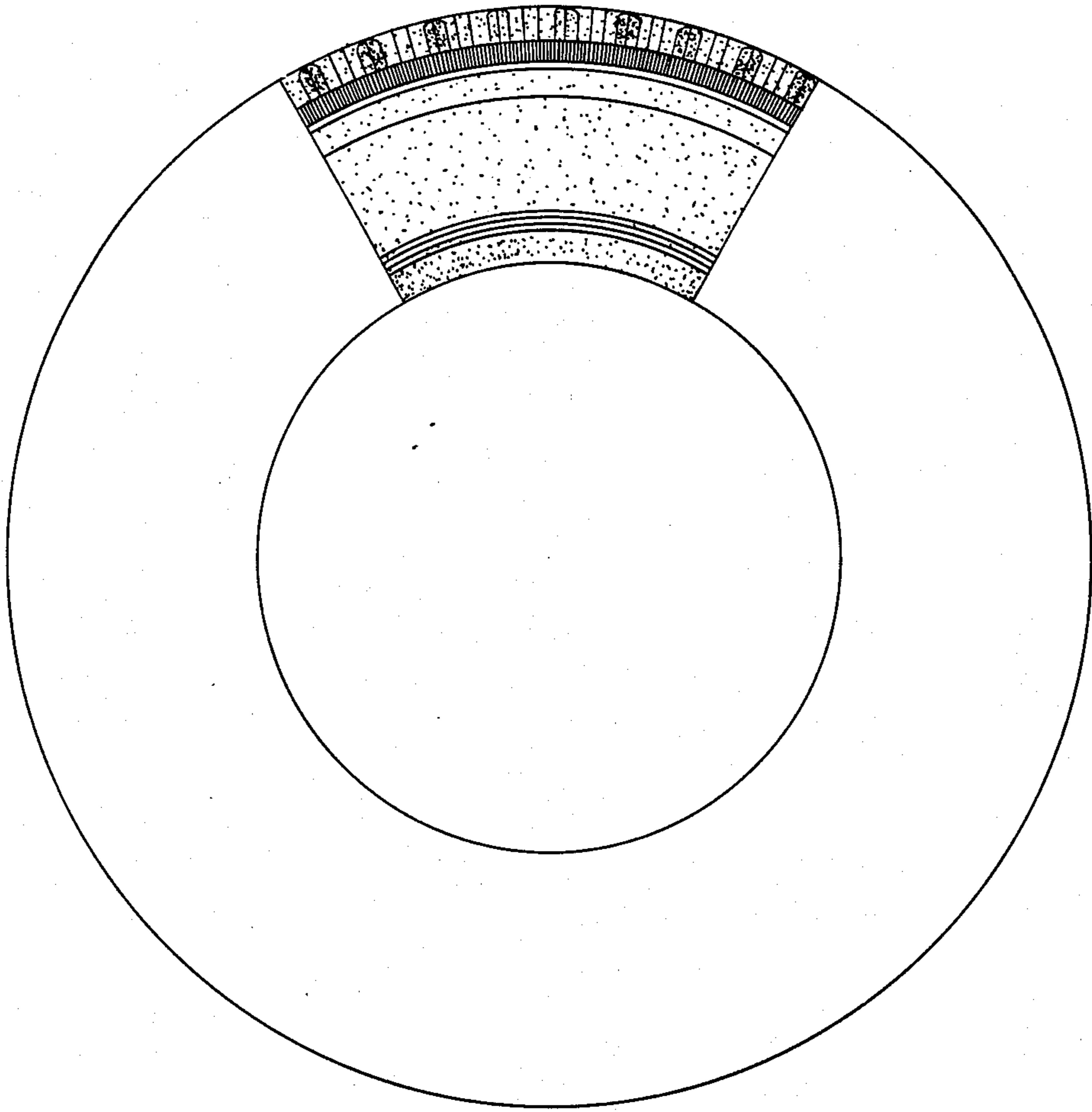


FIG 3