

[54] HANDLE

D. 285,106 8/1986 Yost D23/252
D. 290,336 6/1987 Paul D8/308
D. 299,109 12/1988 Jans D8/328 X

[75] Inventor: Franz W. Jans, Offenbach Am Main,
Fed. Rep. of Germany

OTHER PUBLICATIONS

[73] Assignee: Jado Bathroom and Hardware
Manufacturing Corp., Camarillo,
Calif.

Architectural Record, Dec. 1964, p. 214, "Mercury
design" item.

Baldwin Hardware Manufacturing Corp. Bulletin No.
003/4-78/50m, (©) 1978, p. 5, item No. 5104.

[**] Term: 14 Years

Primary Examiner—James R. Largen
Attorney, Agent, or Firm—H. Michael Brucker

[21] Appl. No.: 24,408

[57] CLAIM

[22] Filed: Mar. 11, 1987

[52] U.S. Cl. D8/308

The ornamental design for a handle, as shown and de-
scribed.

[58] Field of Search D23/233-254;
D8/300-322; 16/110-127

DESCRIPTION

[56] References Cited

U.S. PATENT DOCUMENTS

D. 76,827	11/1928	Smith	D23/252
D. 83,158	1/1931	Graff	D8/308
D. 222,874	1/1972	Gerlach	D8/308
D. 222,875	1/1972	Gerlach	D8/308
D. 234,953	4/1975	Martin	D23/251
D. 271,560	11/1983	Valli	D8/308

FIG. 1 is a perspective view taken from the top, rear
and left side of a handle showing my new design;

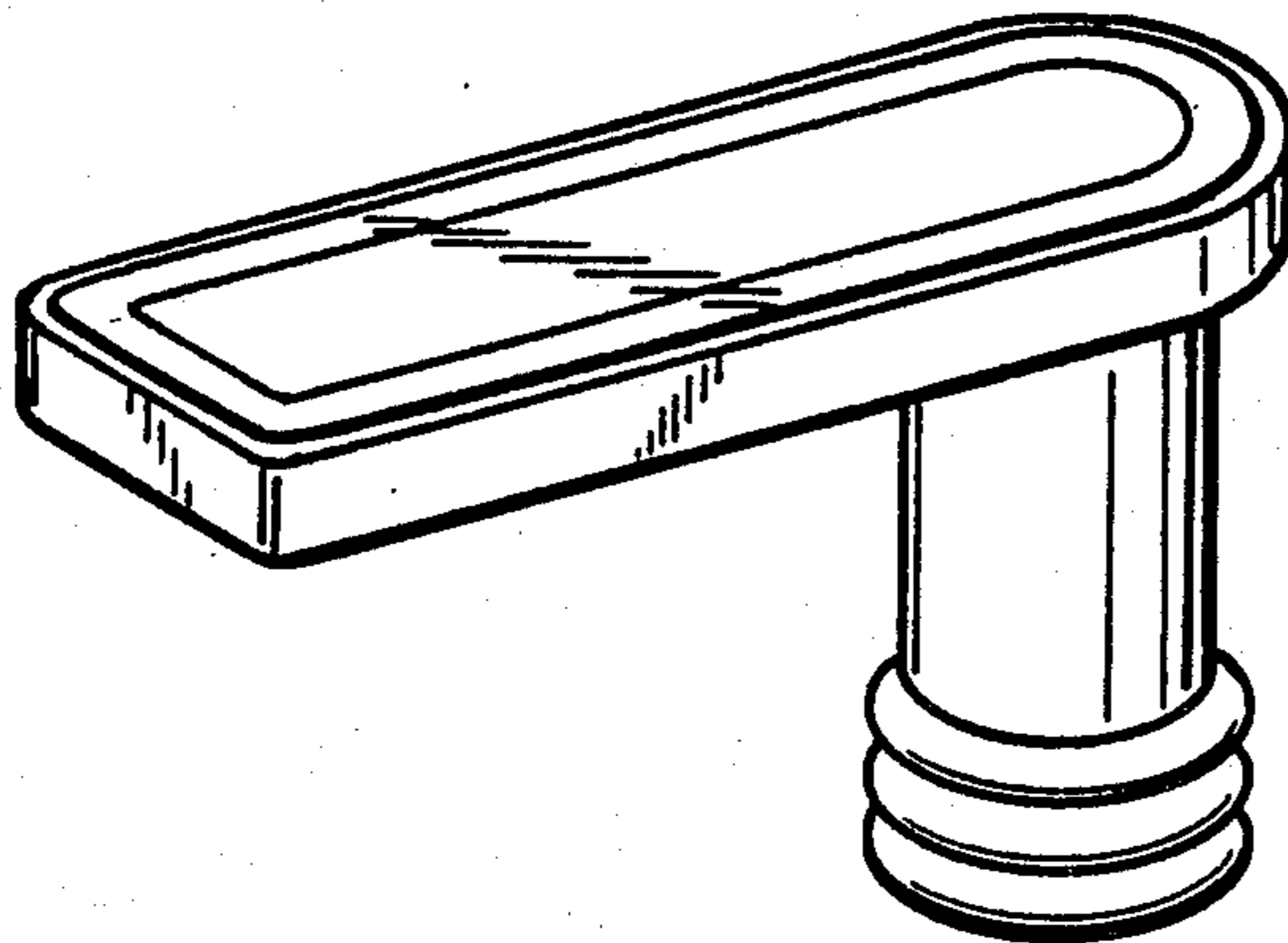
FIG. 2 is a top plan view thereof;

FIG. 3 is a right side elevational view thereof, the left
side being a mirror image of the right side shown;

FIG. 4 is a rear elevational view thereof;

FIG. 5 is a bottom plan view thereof; and

FIG. 6 is a front elevational view thereof.



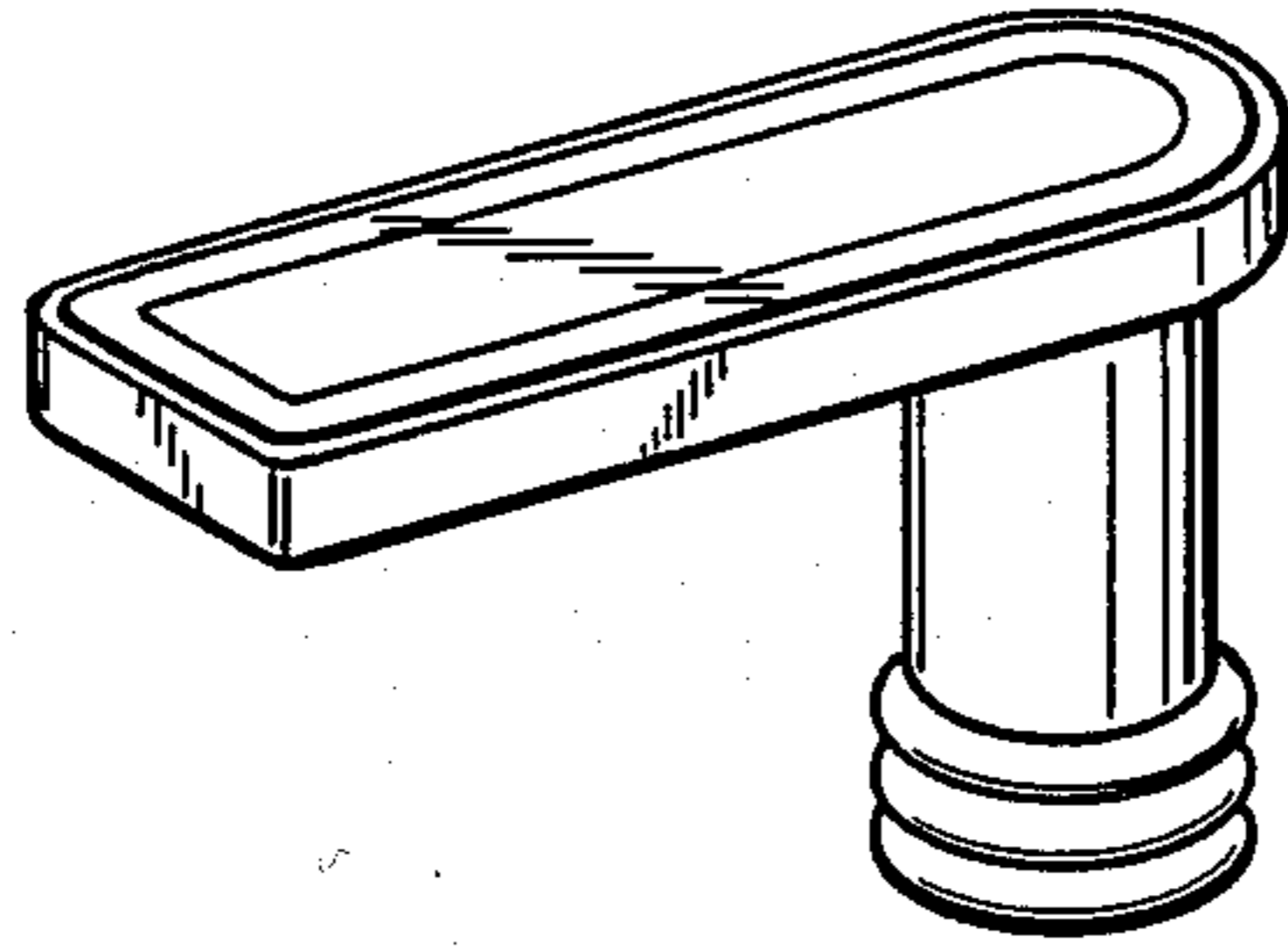


FIG._1.

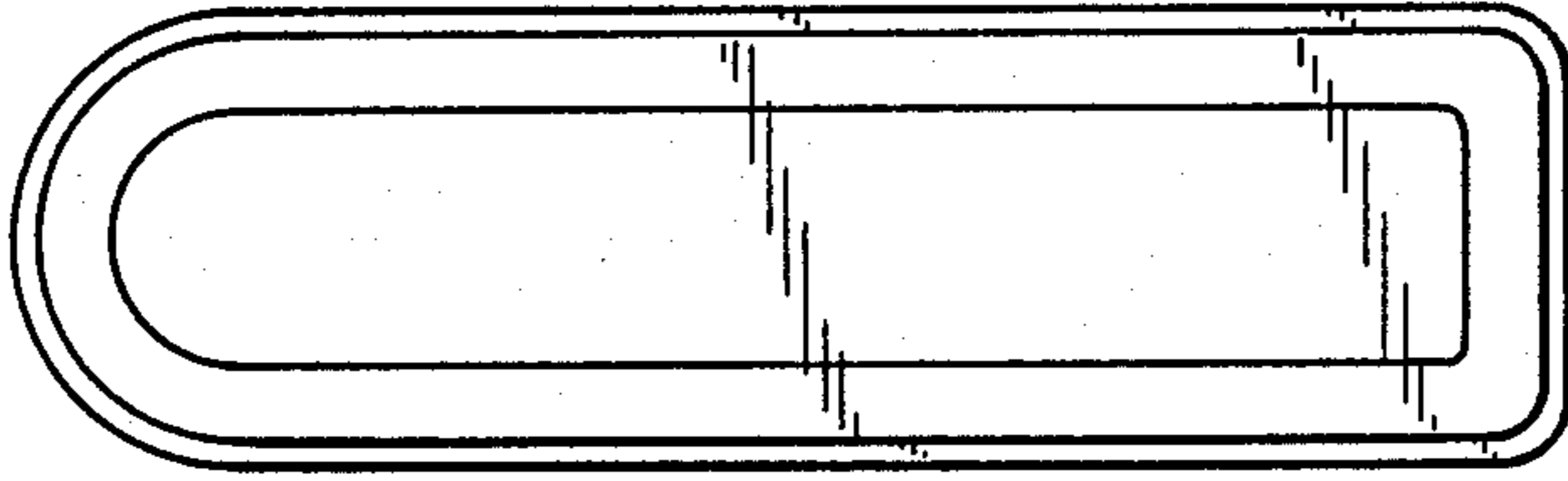


FIG._2.

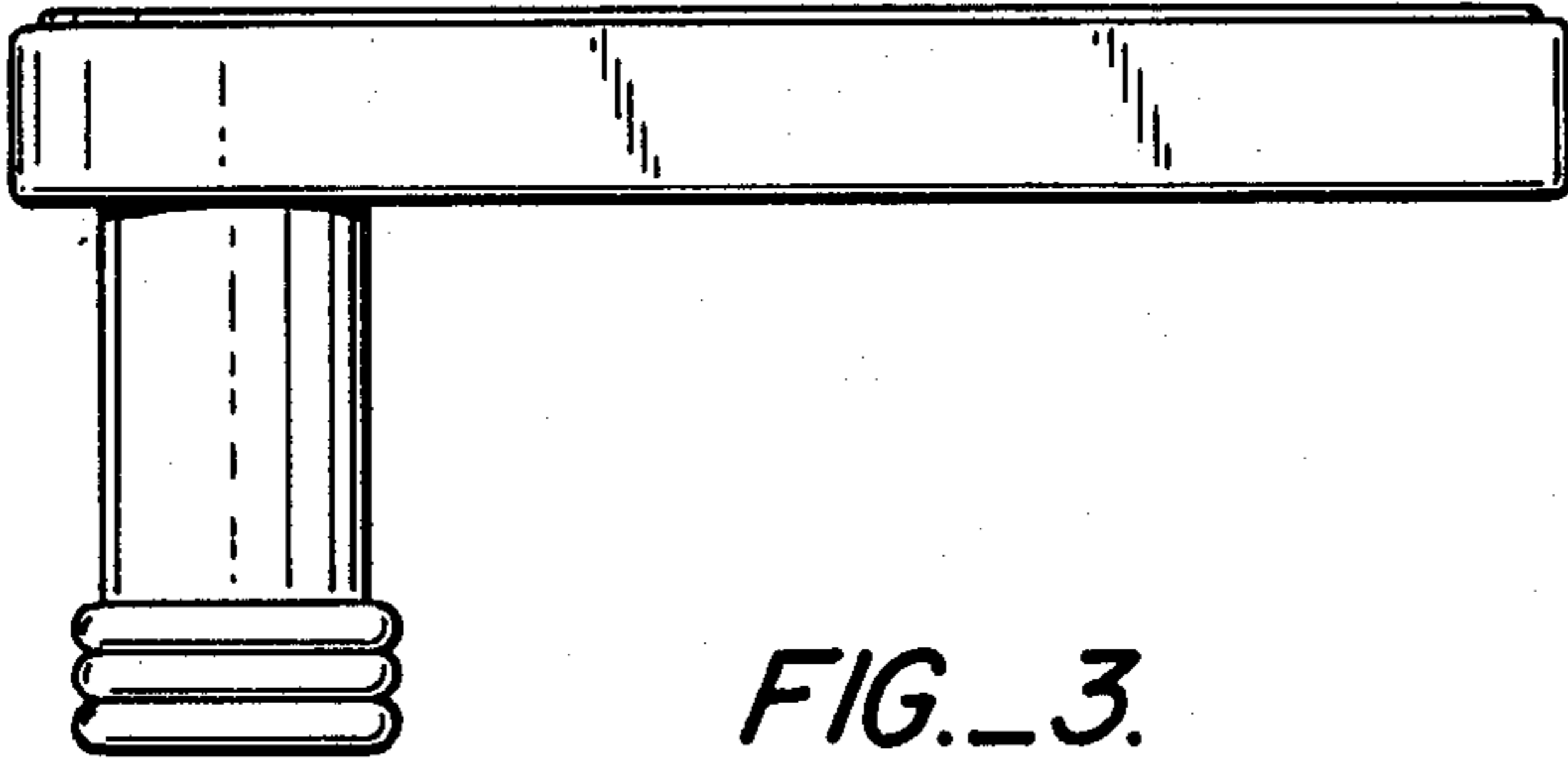


FIG._3.

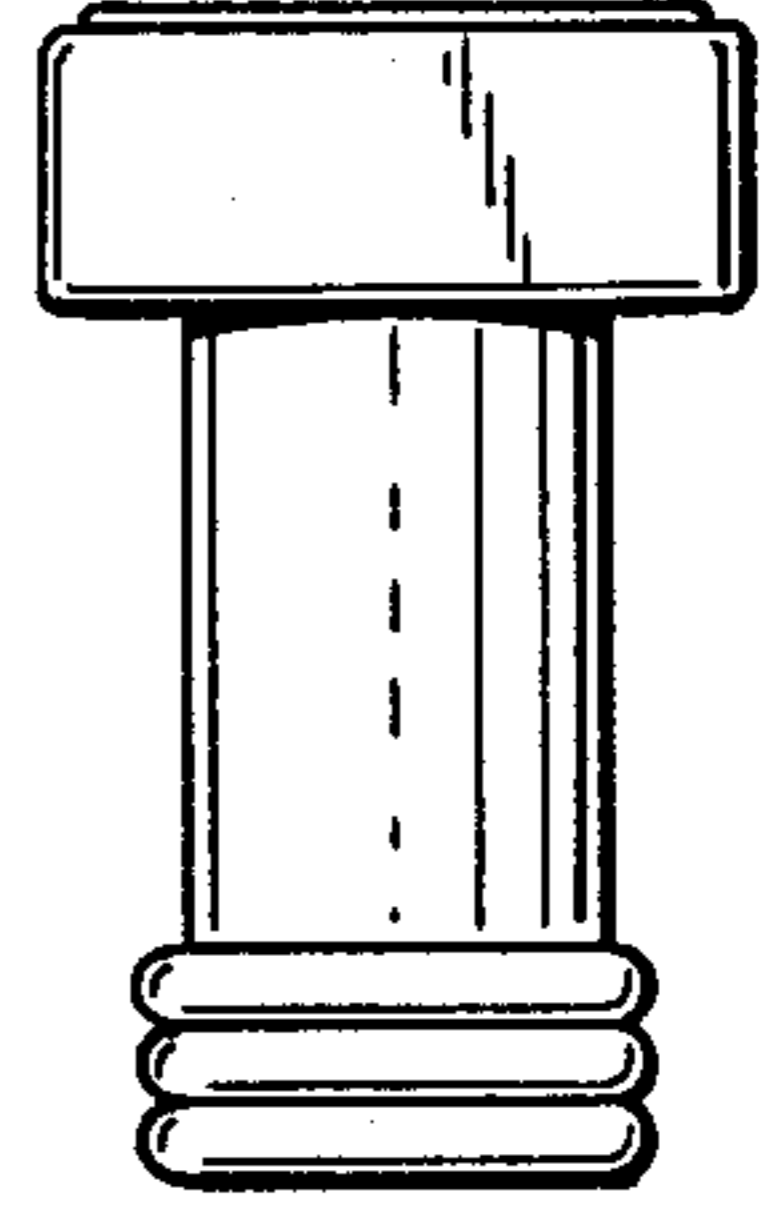


FIG._4.

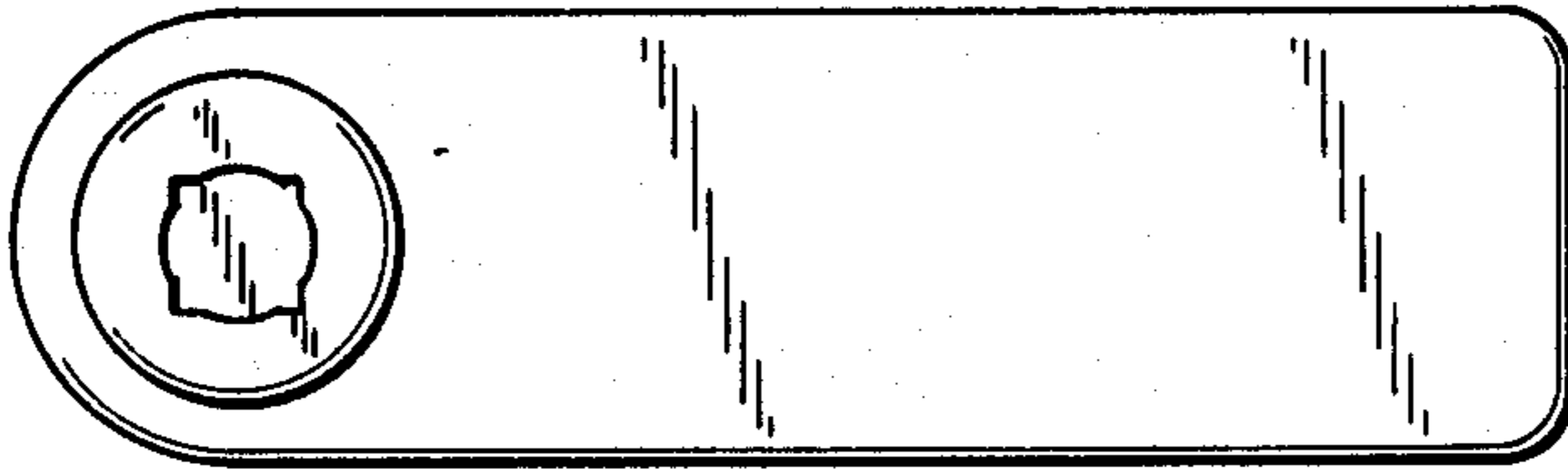


FIG._5.

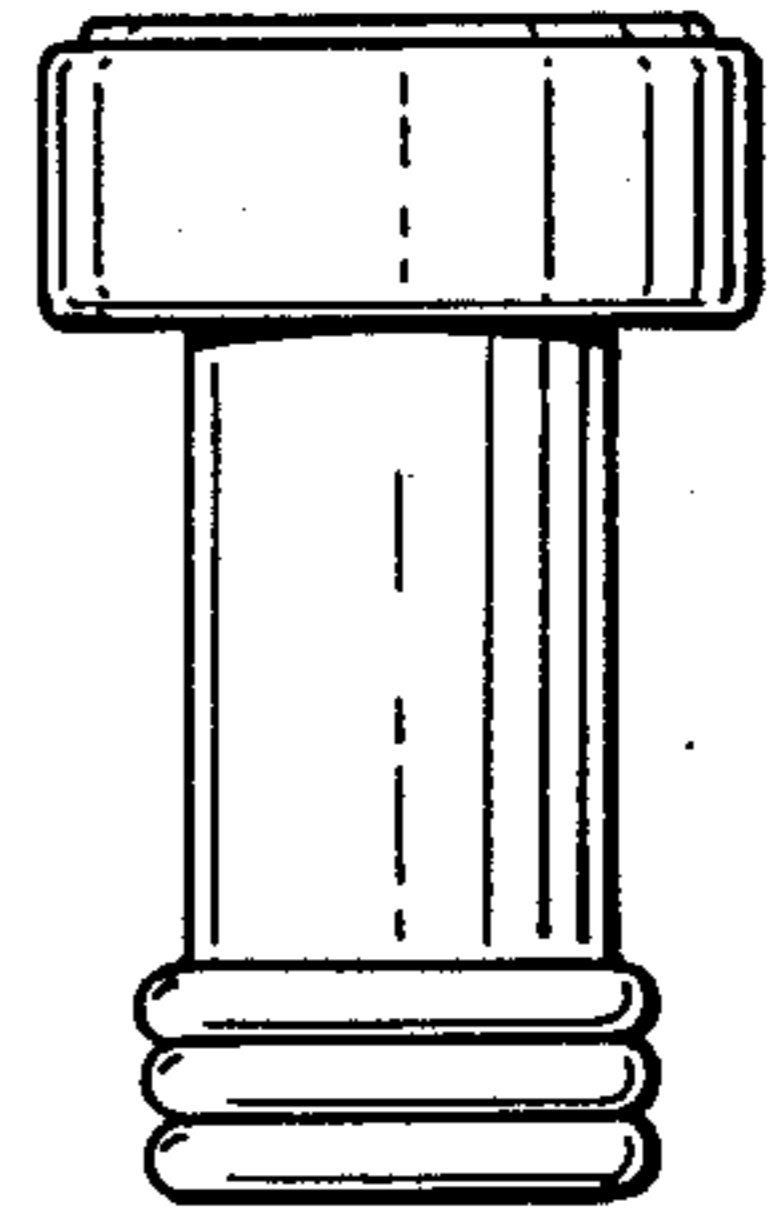


FIG._6.