

[54] HANDLE FOR A HAMMER OR THE LIKE

[75] Inventor: Frederick S. Kandel, Columbia, Md.

[73] Assignee: Majestic Tool Corporation, Baltimore, Md.

[\*\*] Term: 14 Years

[21] Appl. No.: 95,873

[22] Filed: Sep. 14, 1987

[52] U.S. Cl. .... D8/81; D8/75

[58] Field of Search ..... D8/75-81, D8/105, 107; 81/19-27, 489; 7/143, 144, 145, 122; 30/308, 308.1, 308.2, 308.3; 254/26 R, 26 E, 27

[56] References Cited

U.S. PATENT DOCUMENTS

479,032	7/1892	Surbaugh .....	81/22
1,401,896	12/1921	Ehrhart .....	81/22
2,155,804	4/1939	Rubin .....	81/20

FOREIGN PATENT DOCUMENTS

17035	of 1901	United Kingdom .....	81/489
-------	---------	----------------------	--------

OTHER PUBLICATIONS

M. E. Cunningham Co. Cat. #526, p. 748, Sledge Numbering Hammer.

Popular Science, Jun. 1979, p. 94, Soft Face Hammer by Nupla.

Primary Examiner—Bruce W. Dunkins

Assistant Examiner—Clare E. Heflin

Attorney, Agent, or Firm—Birch, Stewart, Kolasch & Birch

[57] CLAIM

The ornamental design for a handle for a hammer or the like, as shown and described.

DESCRIPTION

FIG. 1 is a perspective view of the handle for a hammer or the like showing my new design;

FIG. 2 is a top plan view thereof;

FIG. 3 is a bottom plan view thereof;

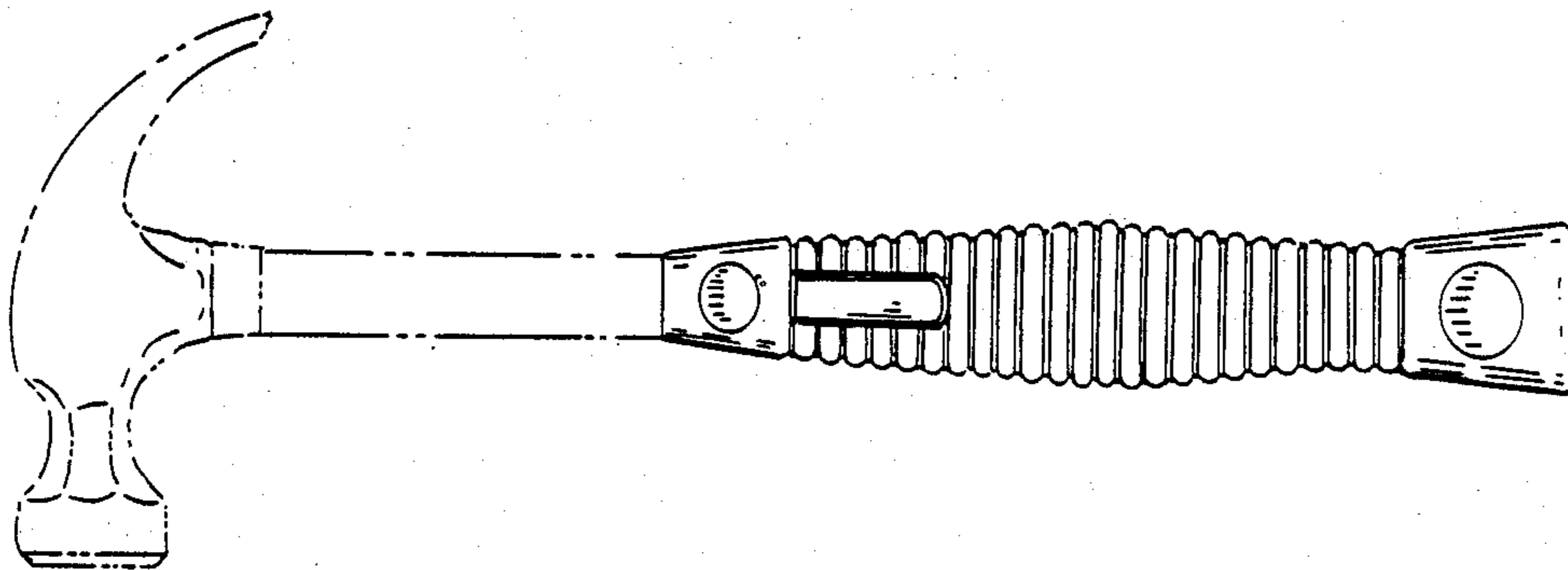
FIG. 4 is a front elevational view thereof;

FIG. 5 is a rear elevational view thereof;

FIG. 6 is a right side elevational view thereof; and

FIG. 7 is a left side elevational view thereof.

The broken line showing of the hammer head is for illustrative purposes only and forms no part of the claimed design.



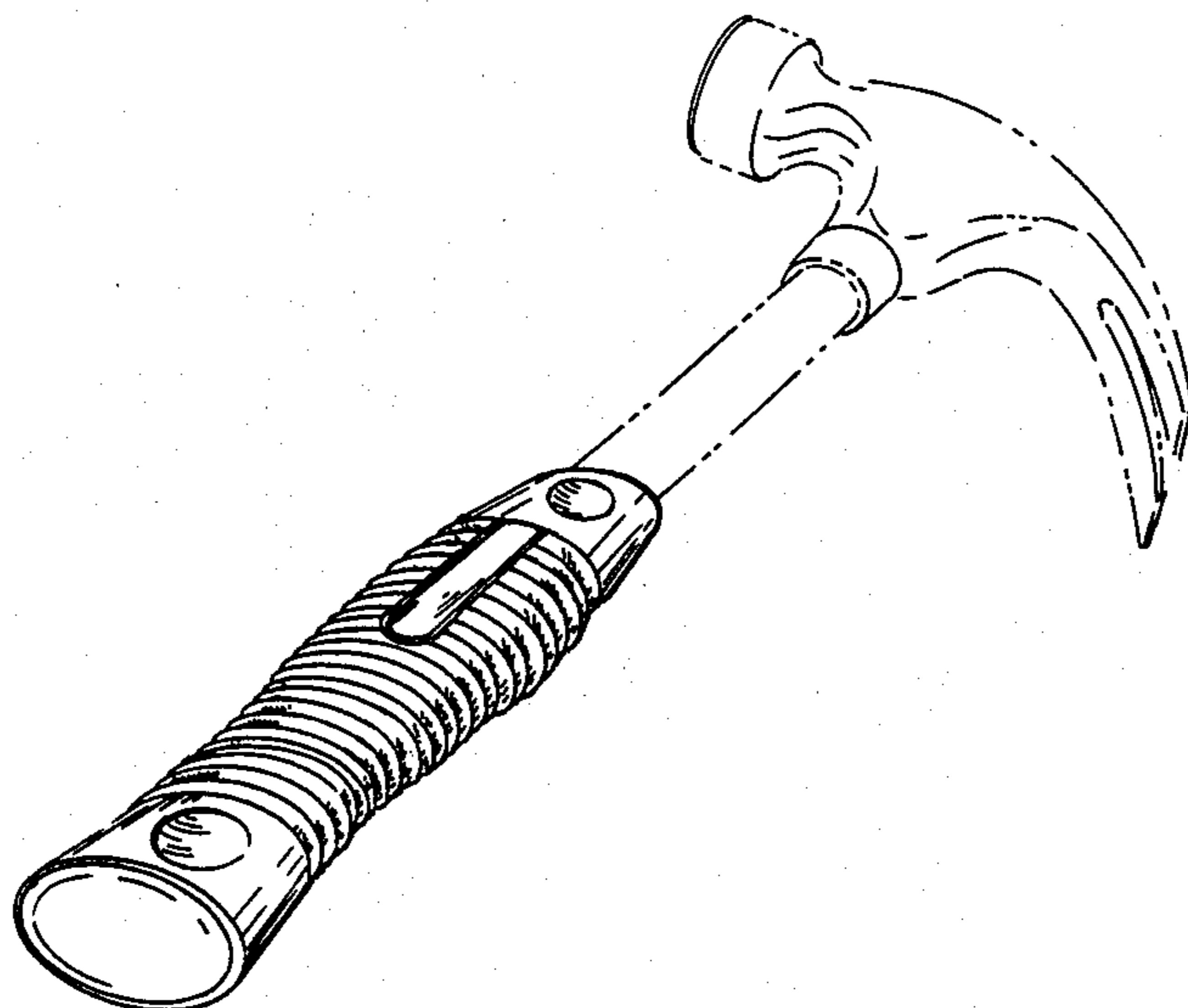


FIG. 1

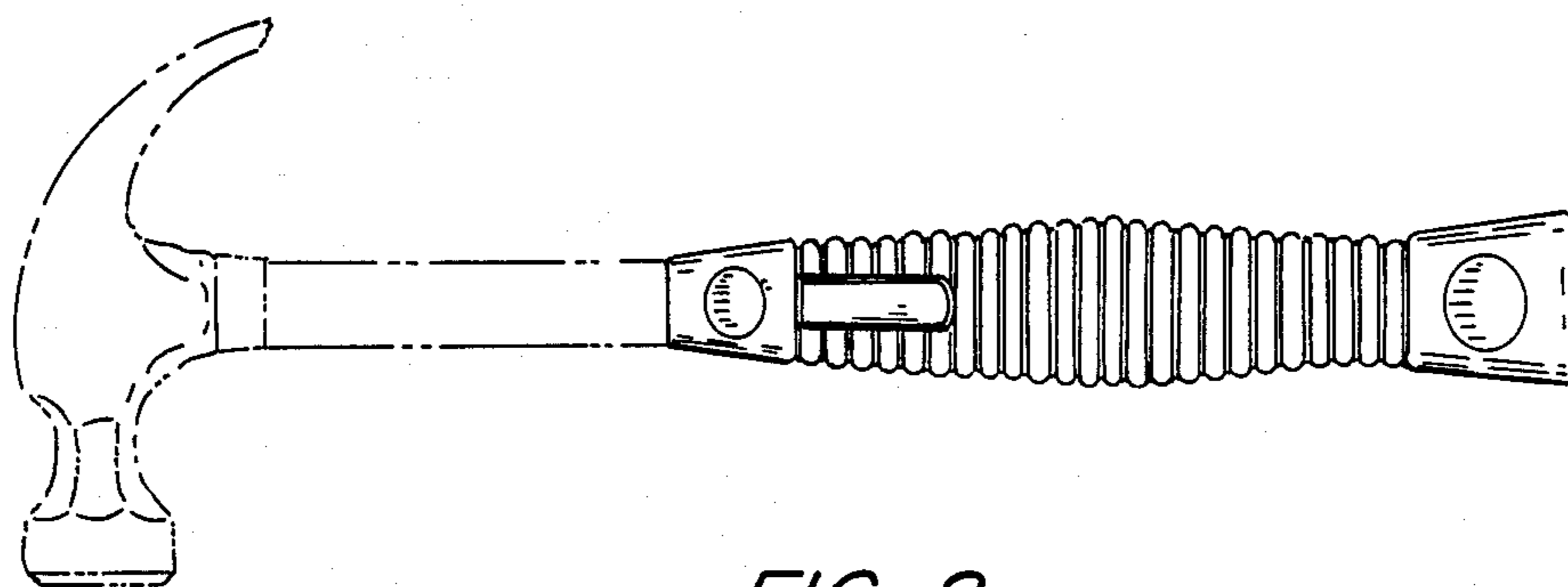


FIG. 2

