

[54] RATCHETTING PIPE WRENCH

[76] Inventor: Anthony D. Cohen, 5721 Riverview, St. Louis, Mo. 63147

[\*\*] Term: 14 Years

[21] Appl. No.: 819,116

[22] Filed: Jan. 15, 1986

[52] U.S. Cl. .... D8/22; D8/25

[58] Field of Search ..... D8/14, 17, 21-29, D8/107; 81/98-100, 179, 184, 177.1

[56] References Cited

U.S. PATENT DOCUMENTS

D. 296,513	7/1988	Moore, Jr. et al. ....	D8/23
351,656	10/1886	Sawhill .....	D8/22 X
1,012,036	12/1911	Vinton .....	81/100
2,089,589	8/1937	Uvaney .....	81/100

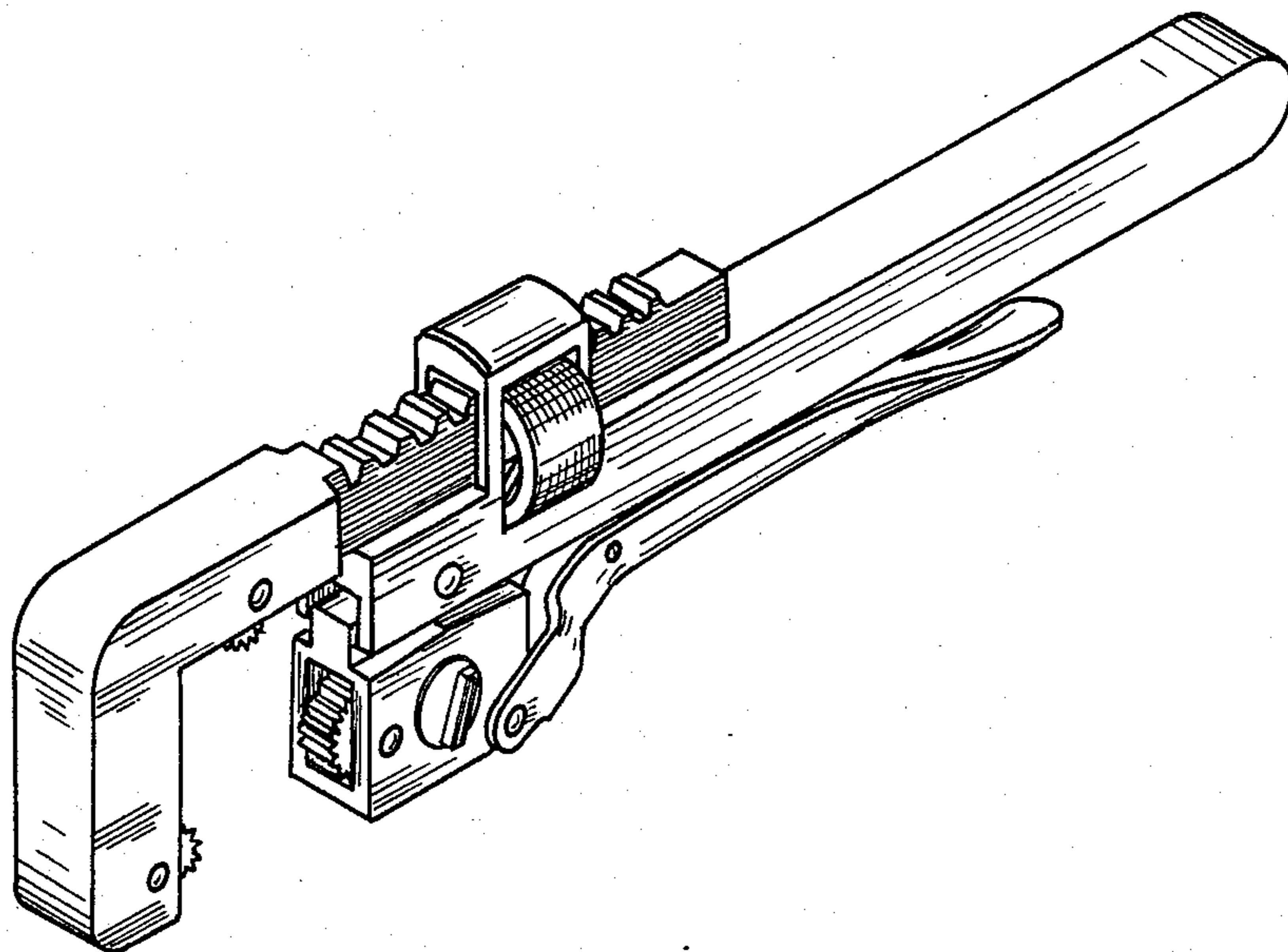
Primary Examiner—Bruce W. Dunkins  
Assistant Examiner—Clare E. Heflin  
Attorney, Agent, or Firm—Veo Peoples, Jr.

[57] CLAIM

The ornamental design for a ratchetting pipe wrench, as shown and described.

DESCRIPTION

FIG. 1 is a side elevational view of a ratcheting pipe wrench showing my new design;  
FIG. 2 is a top, front perspective view thereof;  
FIG. 3 is an opposite side elevational view thereof.  
FIG. 4 is a rear elevational view thereof;  
FIG. 5 is a bottom plan view thereof.  
The broken line showing of a pipe in FIG. 1 is for illustrative purposes only and forms no part of the claimed design.



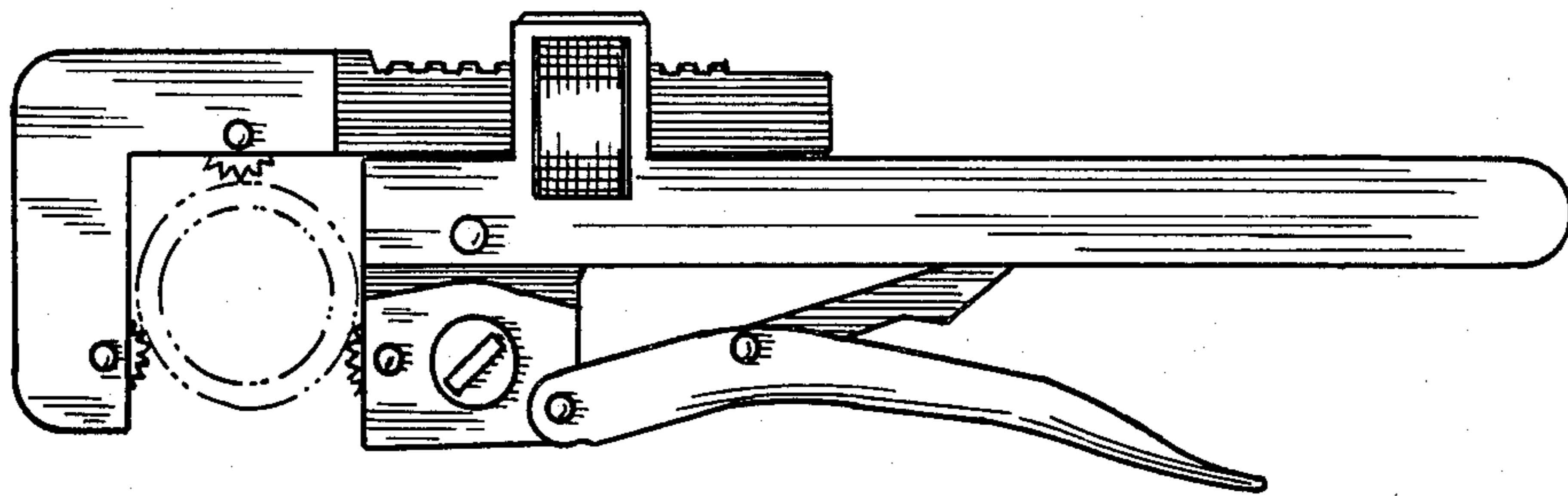


FIG. 1.

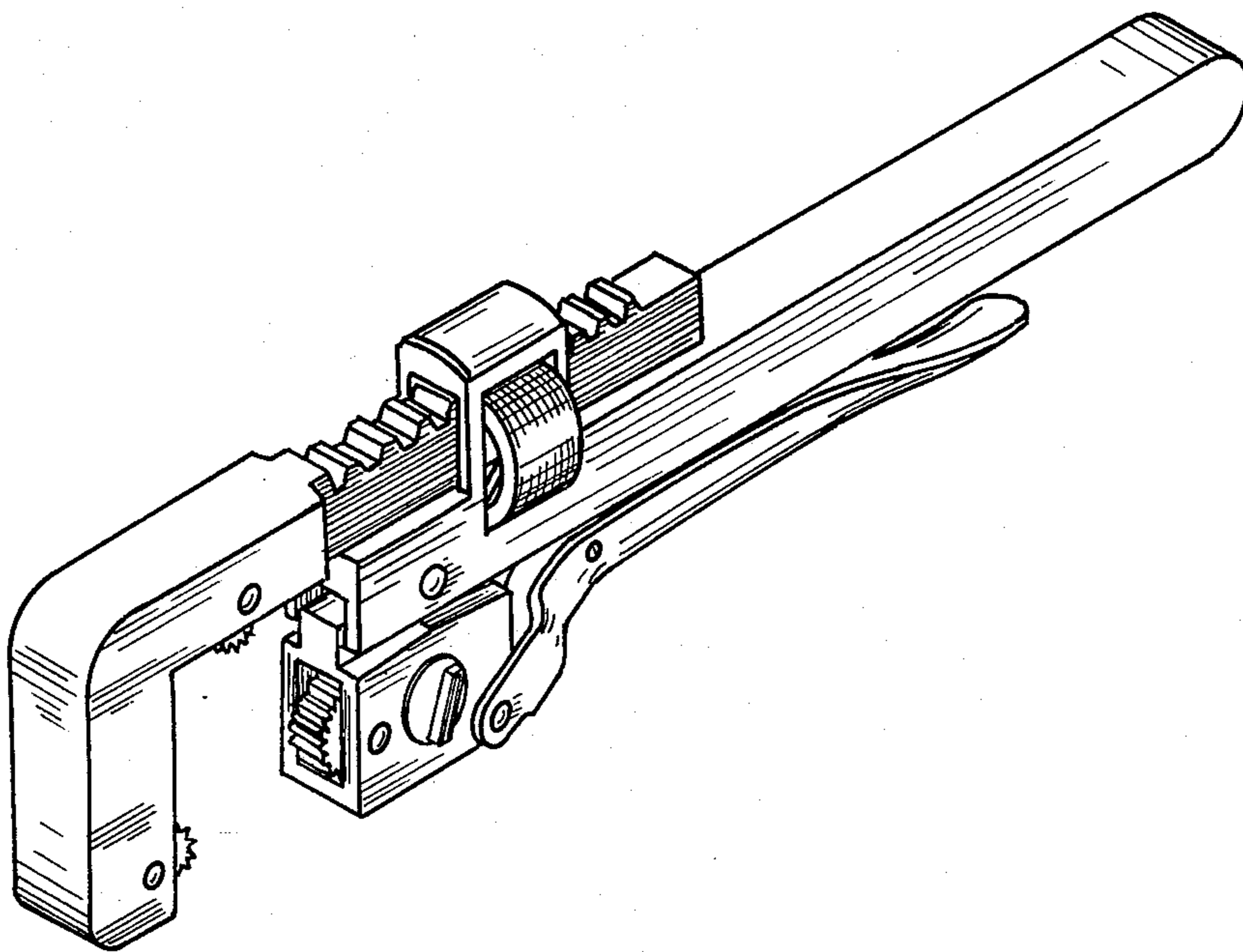


FIG. 2.

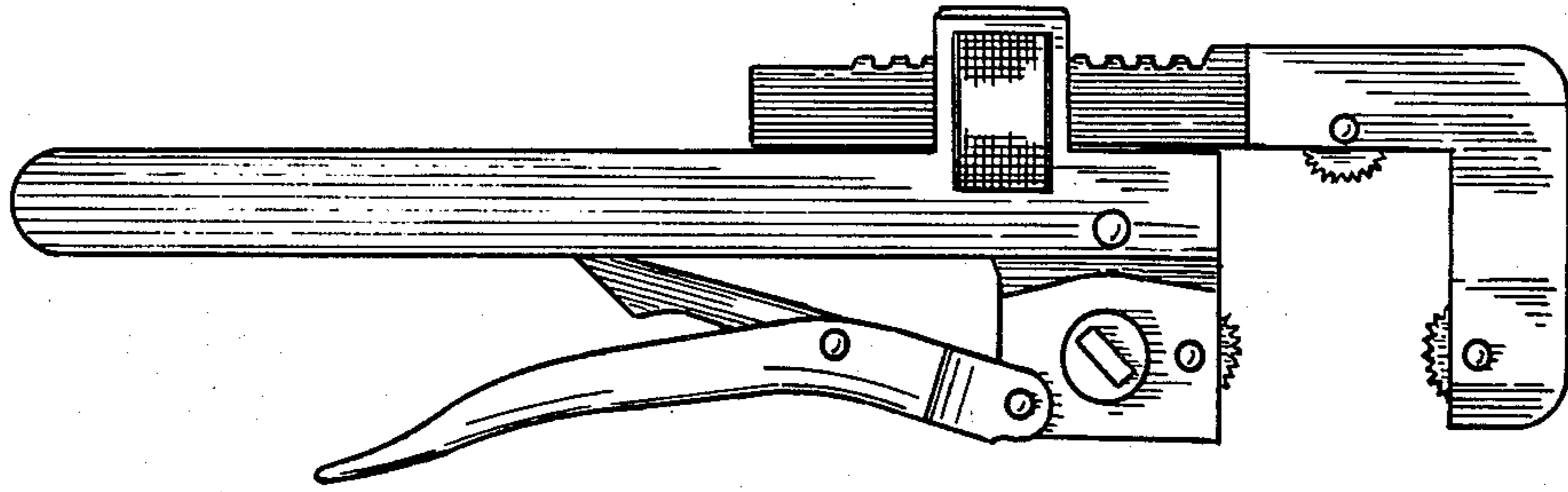


FIG. 3.

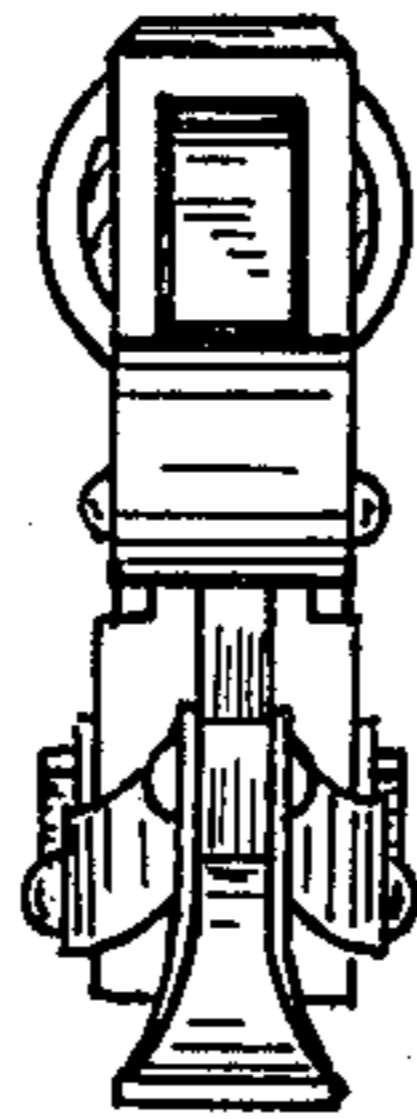


FIG. 4.

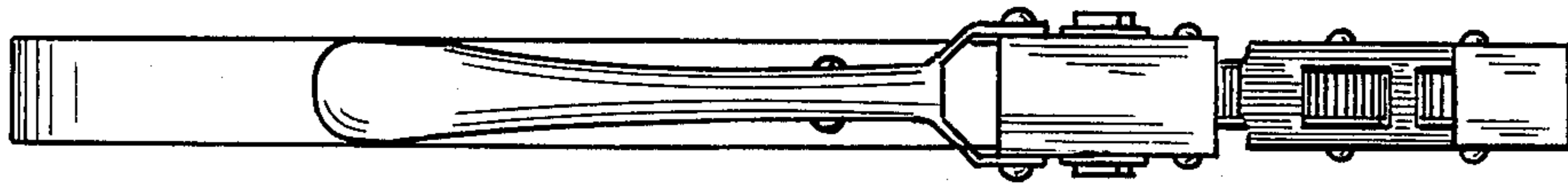


FIG. 5.