

[54] INFANT'S FEEDING SPOON

[76] Inventor: Mark W. Bergman, 5820 Louis Ave.,
Minnetonka, Minn. 55345

[**] Term: 14 Years

[21] Appl. No.: 43,703

[22] Filed: Apr. 29, 1987

[52] U.S. Cl. D7/141; D7/143;
D21/90

[58] Field of Search D7/138, 141, 143, 144;
D21/87, 88, 90; D8/100, 103

[56] References Cited

U.S. PATENT DOCUMENTS

D. 149,705 5/1948 Struck D21/90

Primary Examiner—Winifred E. Herrmann
Attorney, Agent, or Firm—Kinney & Lange

[57] CLAIM

The ornamental design for an infant's feeding spoon, as shown and described.

DESCRIPTION

FIG. 1 is a top, front, and right side perspective view of an infant's feeding spoon showing my new design; FIG. 2 is a right side elevational view thereof, the side opposite is similar to the side shown; FIG. 3 is a top plan view thereof; FIG. 4 is an end elevational view thereof as viewed from the left in FIG. 2; FIG. 5 is an end elevational view thereof as viewed from the right in FIG. 2; and FIG. 6 is a bottom plan view thereof.

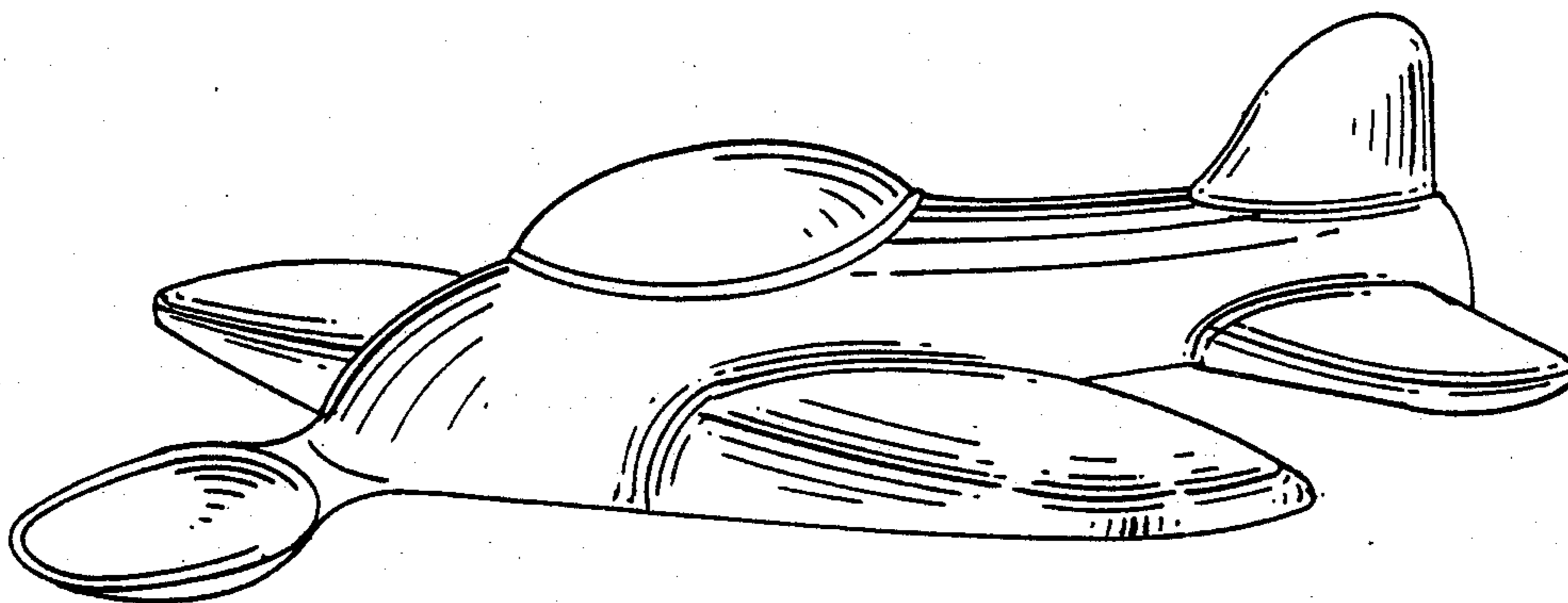


Fig. 1

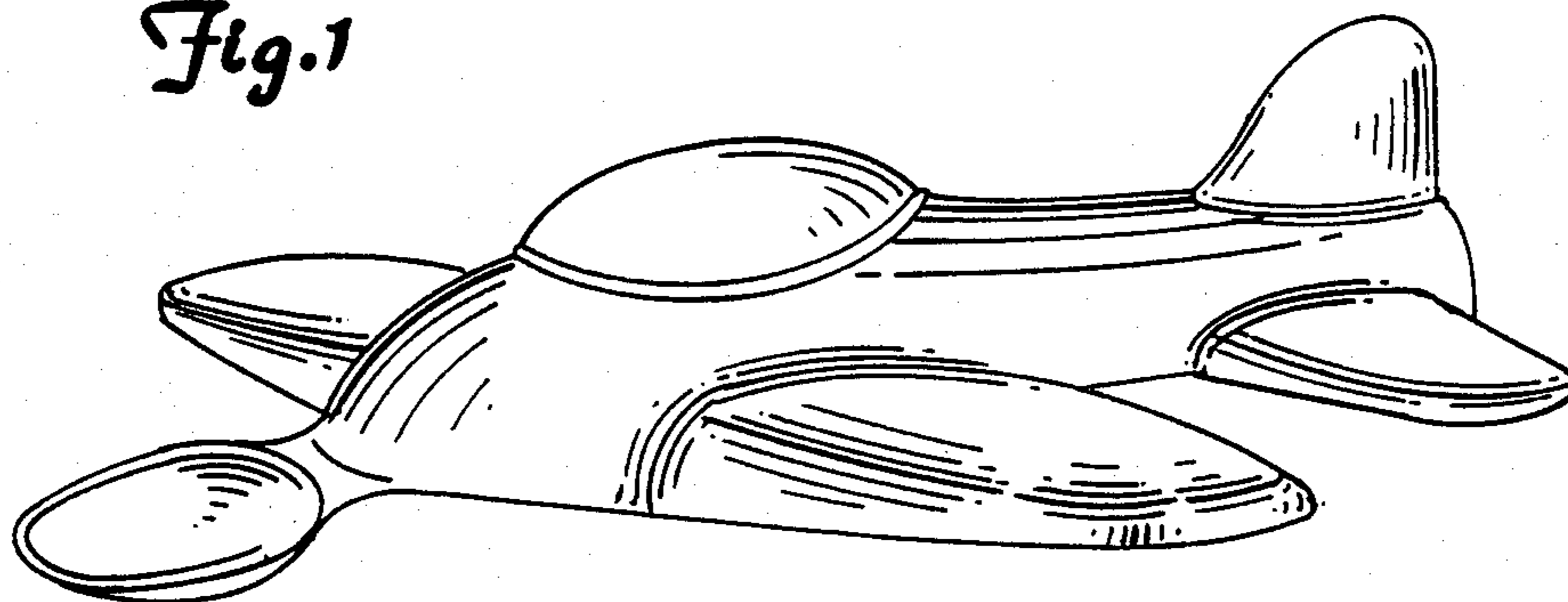


Fig. 2

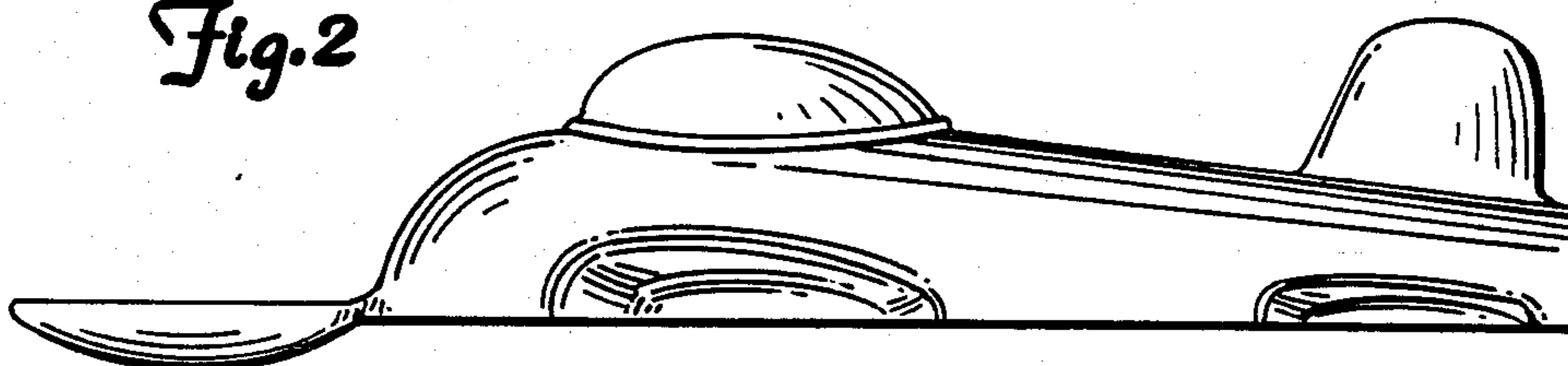


Fig. 3

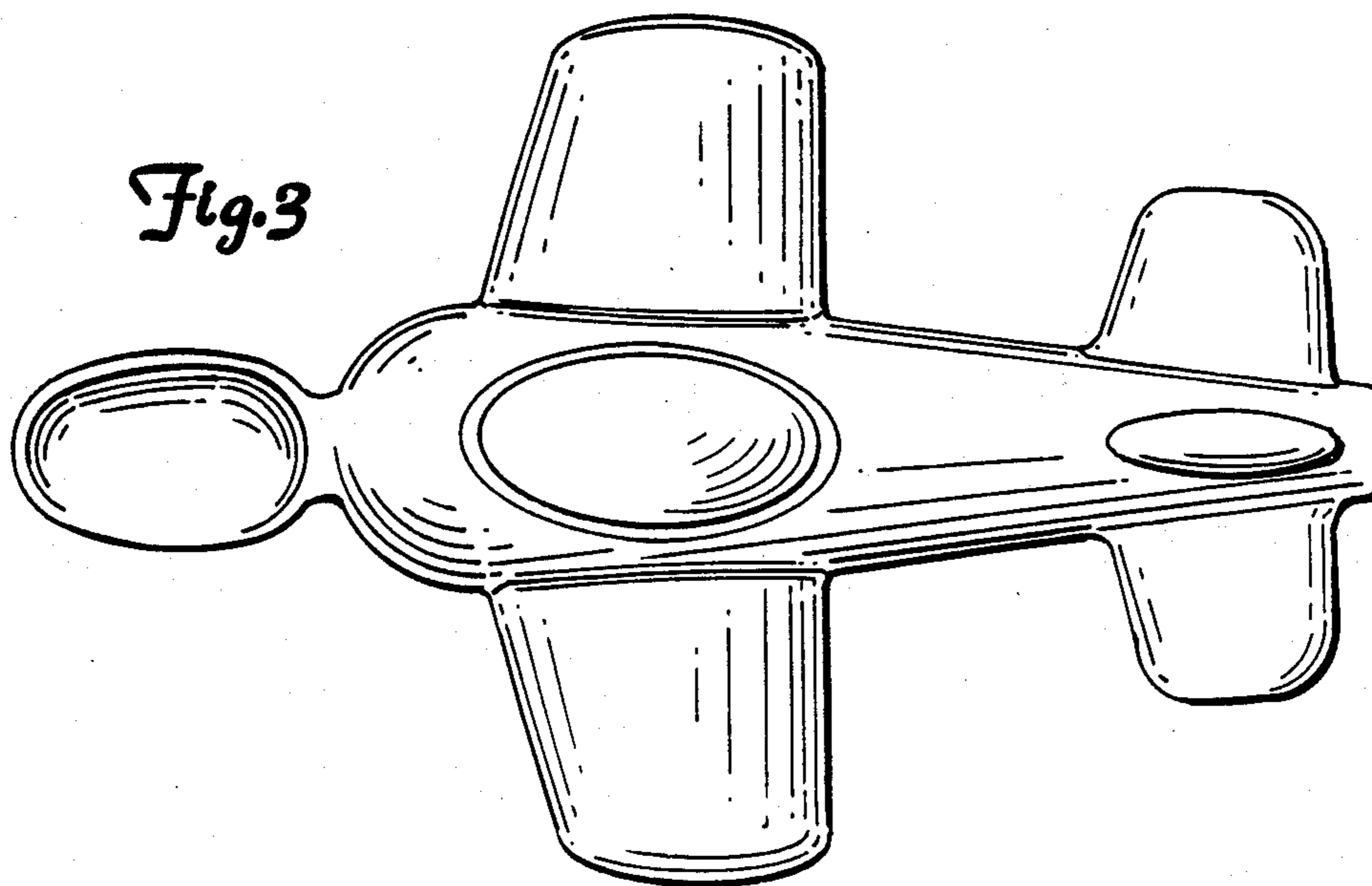


Fig. 4

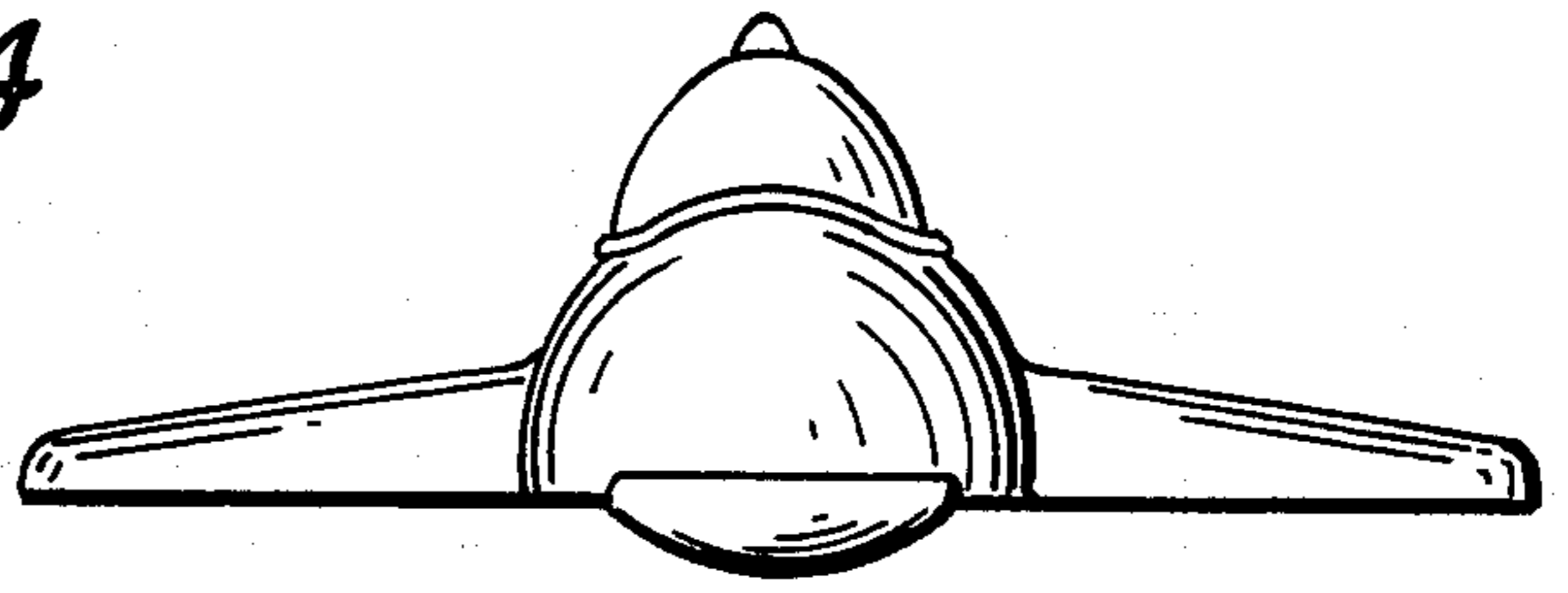


Fig. 5

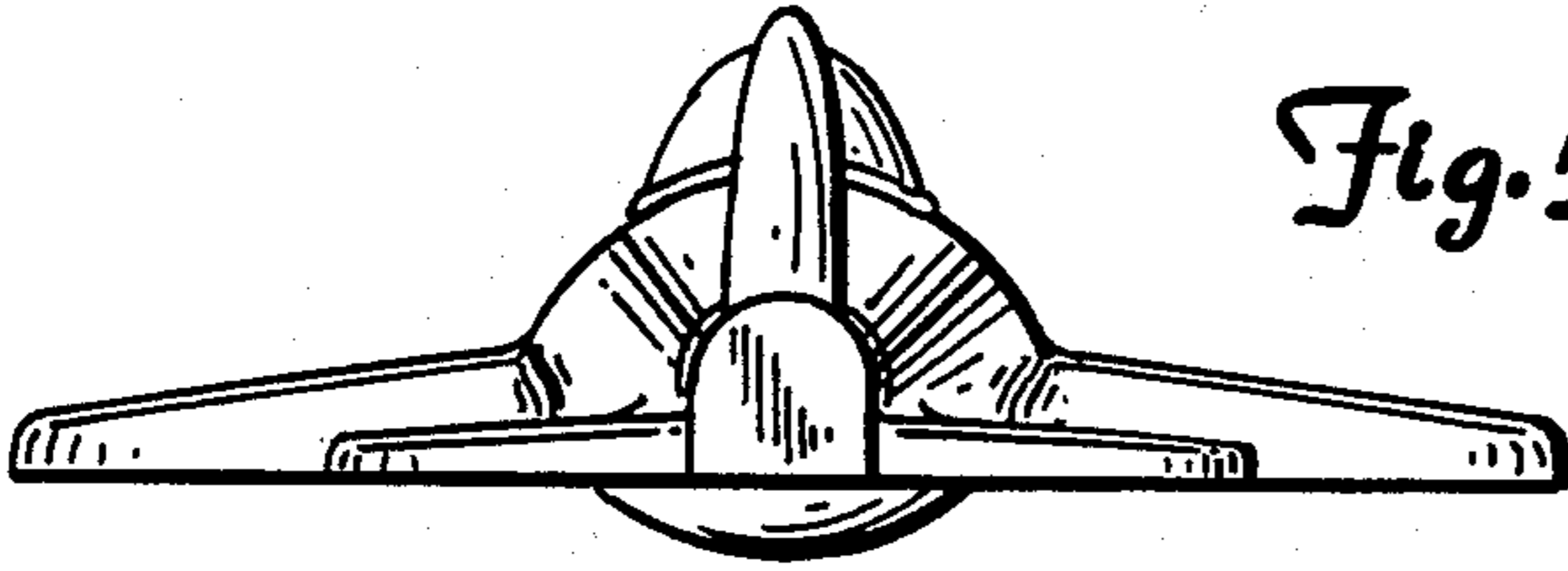
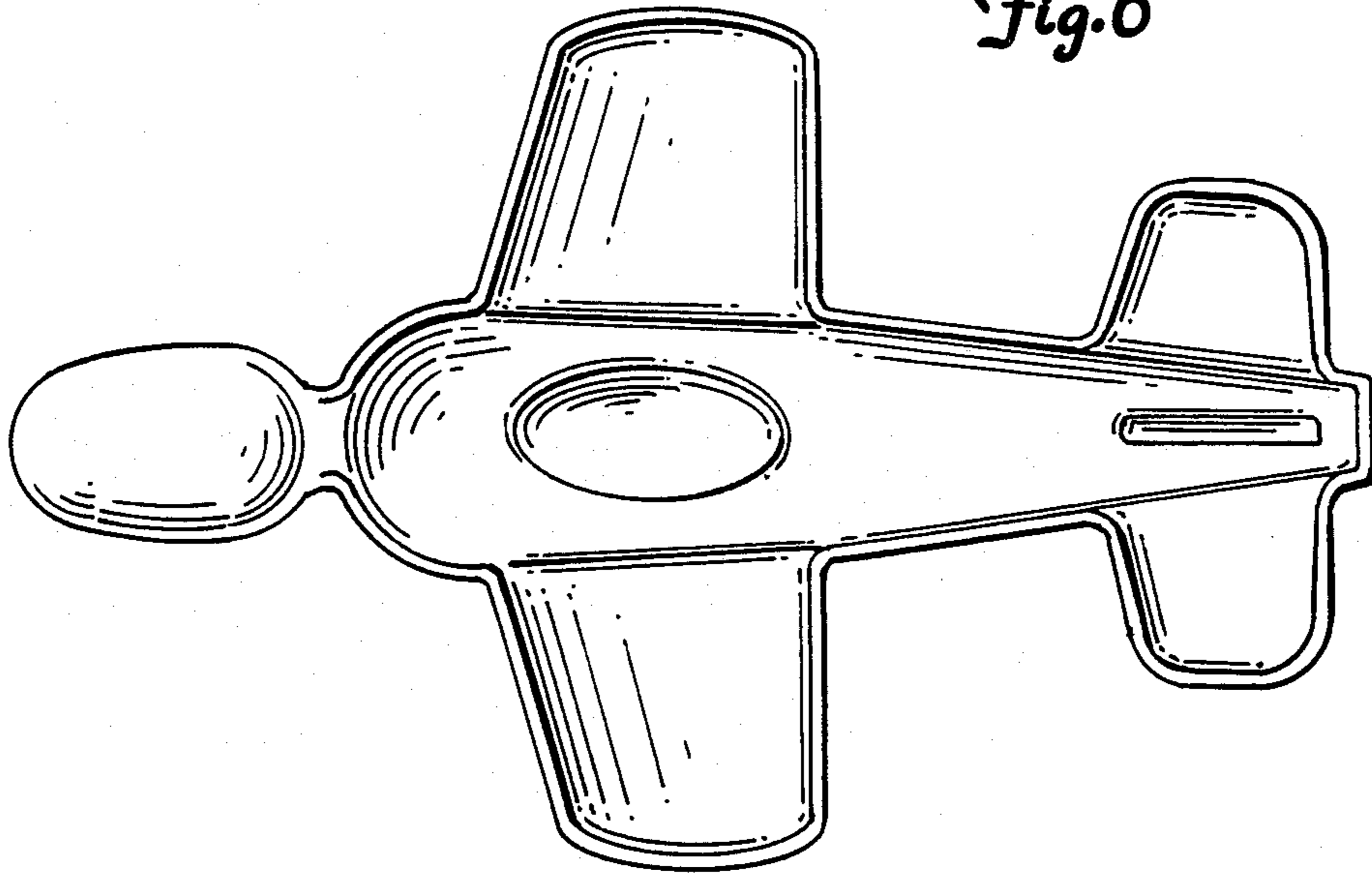


Fig. 6



UNITED STATES PATENT AND TRADEMARK OFFICE
CERTIFICATE OF CORRECTION

PATENT NO. : D302,510

Page 1 of 2

DATED : August 1, 1989

INVENTOR(S) : Mark W. Bergman

It is certified that error appears in the above-identified patent and that said Letters Patent is hereby corrected as shown below: On the title page:

In the References Cited Section, under U.S. PATENT DOCUMENTS, add the following:

D 22,561	6/1893	O'Brien	D7/143
D 53,902	10/1919	Grant	D21/90
D 132,012	4/1942	Miller	D7/24
D 158,818	5/1950	Titensky	D7/141
D 166,914	6/1952	Hepner	D7/143
D 172,480	6/1954	Silletti	D7/143
D 193,018	6/1962	Larsen	D7/143
D 194,780	3/1963	Gordon	D7/143
D197,346	1/1964	Kramer	
D 231,721	6/1974	Pearson, Jr.	D7/141
D 257,757	1/1981	Acker	D7/143

UNITED STATES PATENT AND TRADEMARK OFFICE
CERTIFICATE OF CORRECTION

PATENT NO. : D302,510

Page 2 of 2

DATED : August 1, 1989

INVENTOR(S) : Mark W. Bergman

It is certified that error appears in the above-identified patent and that said Letters Patent is hereby corrected as shown below:

D 270,542	5/1967	Wendt.....	D21/90
668004	2/1901	Bergwitz	
1,953,728	4/1934	Schmermund	46/48

Signed and Sealed this
Fourteenth Day of August, 1990

Attest:

HARRY F. MANBECK, JR.

Attesting Officer

Commissioner of Patents and Trademarks