

[54] COMBINED PEPPER MILL AND SALT SHAKER

[76] Inventor: Paul Persoff, 15 E. 30th St., New York, N.Y. 10016

[**] Term: 14 Years

[21] Appl. No.: 834,481

[22] Filed: Feb. 21, 1986

[52] U.S. Cl. D7/57

[58] Field of Search D7/52-58; 222/142.1-142.9; 241/168, 169, 169.1; D9/366, 359

- 1,833,851 11/1931 Olson .
- 2,068,749 1/1937 La Douce .
- 2,200,755 5/1940 McArthur .
- 2,203,880 6/1940 Schindelbeck .
- 2,340,841 2/1944 Black .
- 2,974,887 3/1961 Grandinetti .
- 3,157,315 11/1964 Bianco .

Primary Examiner—B. J. Bullock
Assistant Examiner—Terry A. Pfeffer
Attorney, Agent, or Firm—Alan M. Sack

[57] CLAIM

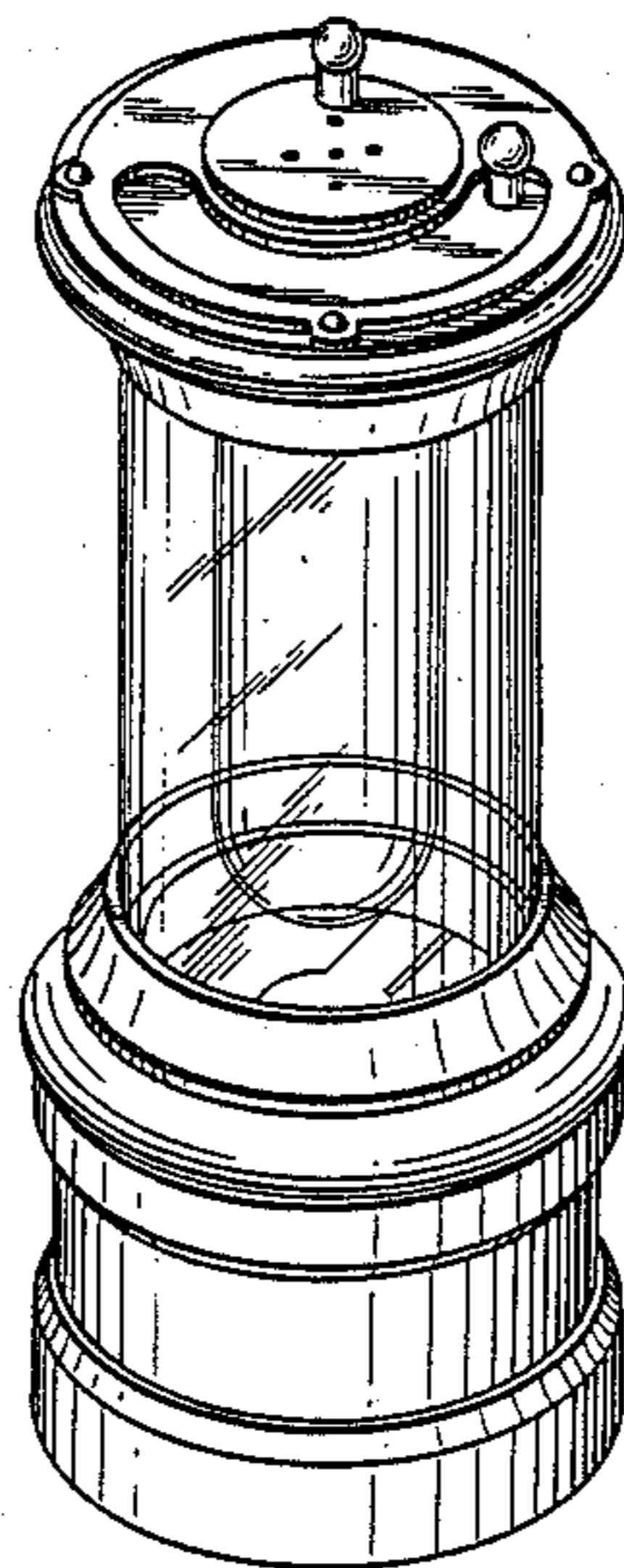
Ornamental design for a combined pepper mill and salt shaker, as shown and described.

DESCRIPTION

FIG. 1 is a perspective front view of a combined pepper mill and salt shaker showing my new design; FIG. 2 is a top plan view thereof; FIG. 3 is a front elevational view thereof; FIG. 4 is a left side elevational view thereof; FIG. 5 is a right side elevational view thereof; FIG. 6 is a bottom plan view thereof; FIG. 7 is a front perspective view of a second embodiment of that shown in FIG. 1; FIG. 8 is a top plan view of that shown in FIG. 7; and FIG. 9 is a front elevational view of that shown in FIG. 7.

[56] References Cited
U.S. PATENT DOCUMENTS

- Re. 5,666 11/1873 Ripley .
- D. 237,576 11/1975 Cyren .
- D. 259,089 5/1981 Cowan .
- D. 259,090 5/1981 Cowan .
- 197,982 12/1877 Seifert et al. .
- 459,854 9/1891 Maillot .
- 595,481 12/1897 Jenatschke et al. .
- 856,064 6/1907 Jackson .
- 1,193,332 8/1916 Young et al. .
- 1,264,134 4/1918 Quick .
- 1,621,514 3/1927 Mann .



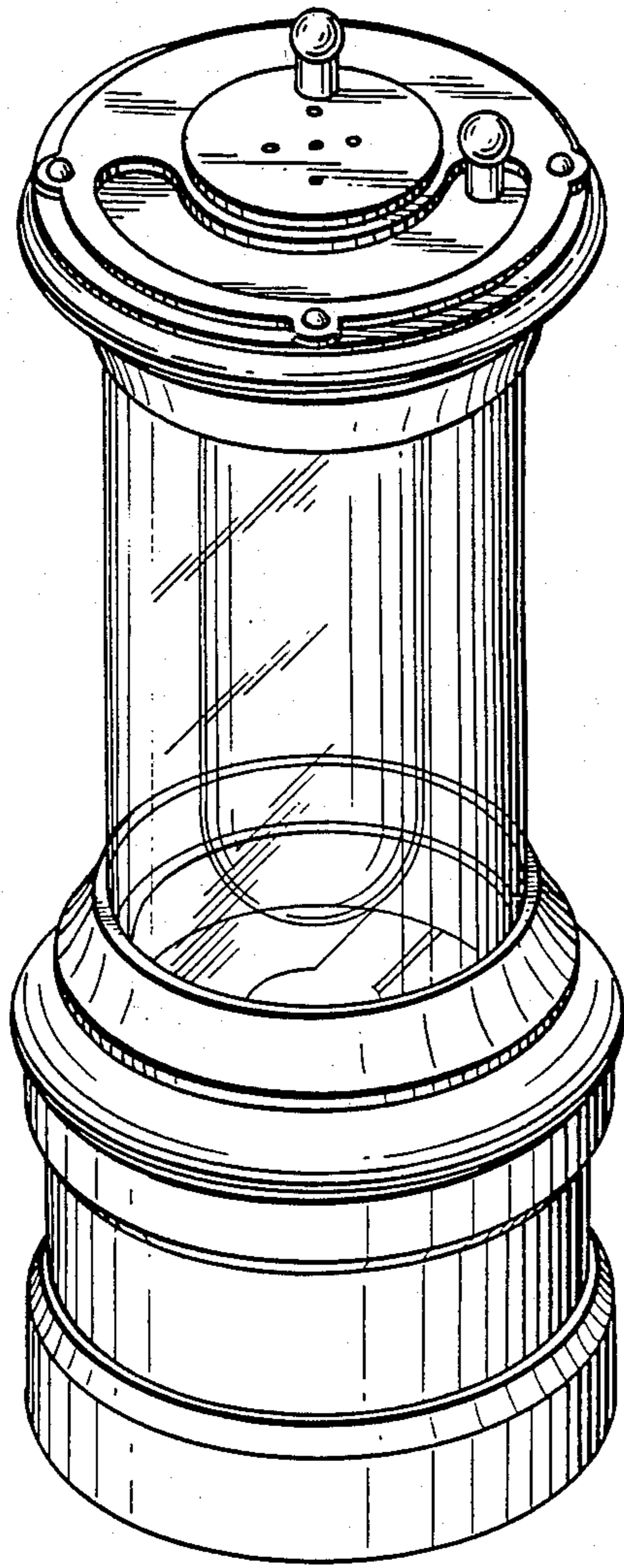


FIG. 1

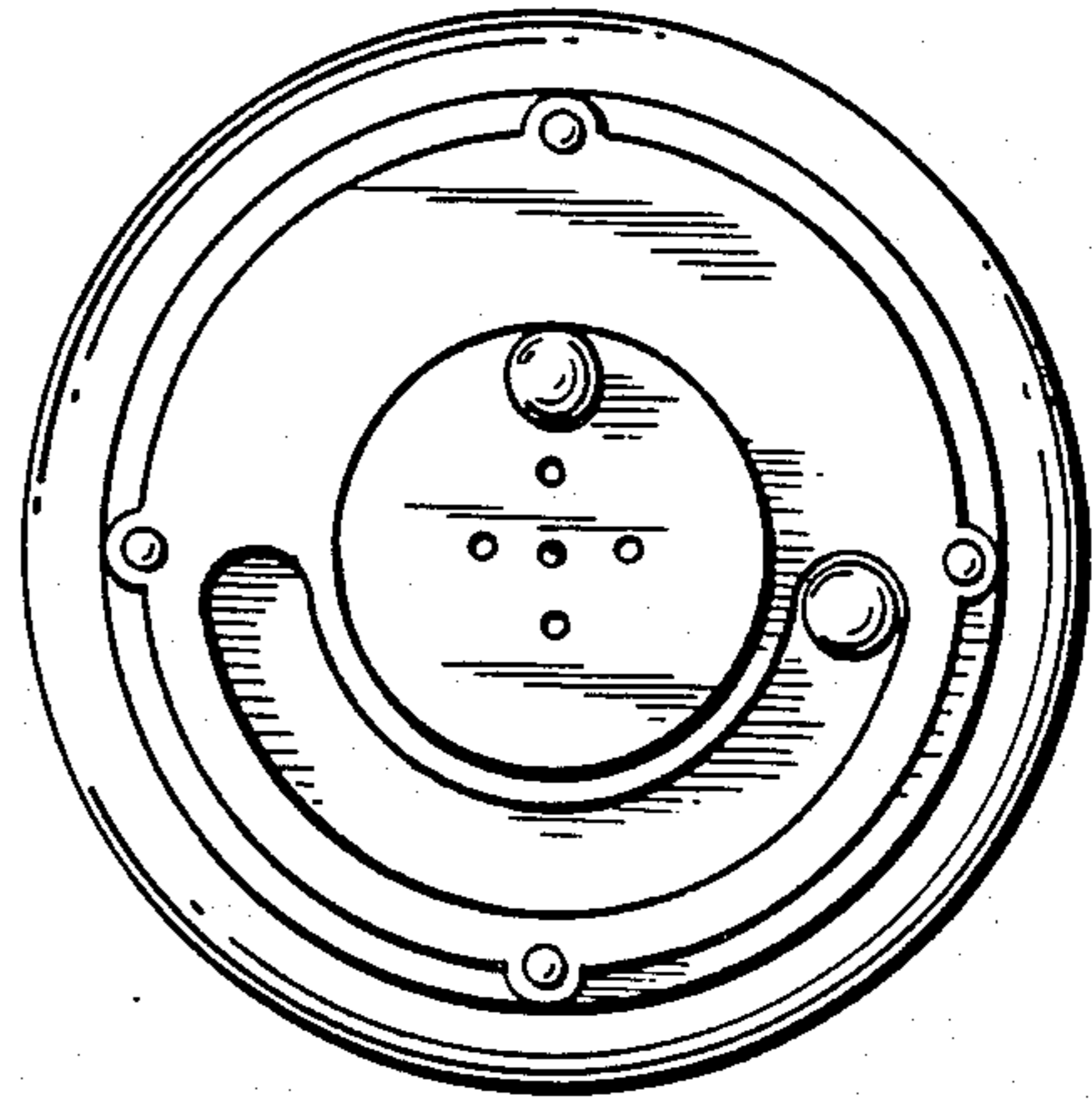


FIG. 2

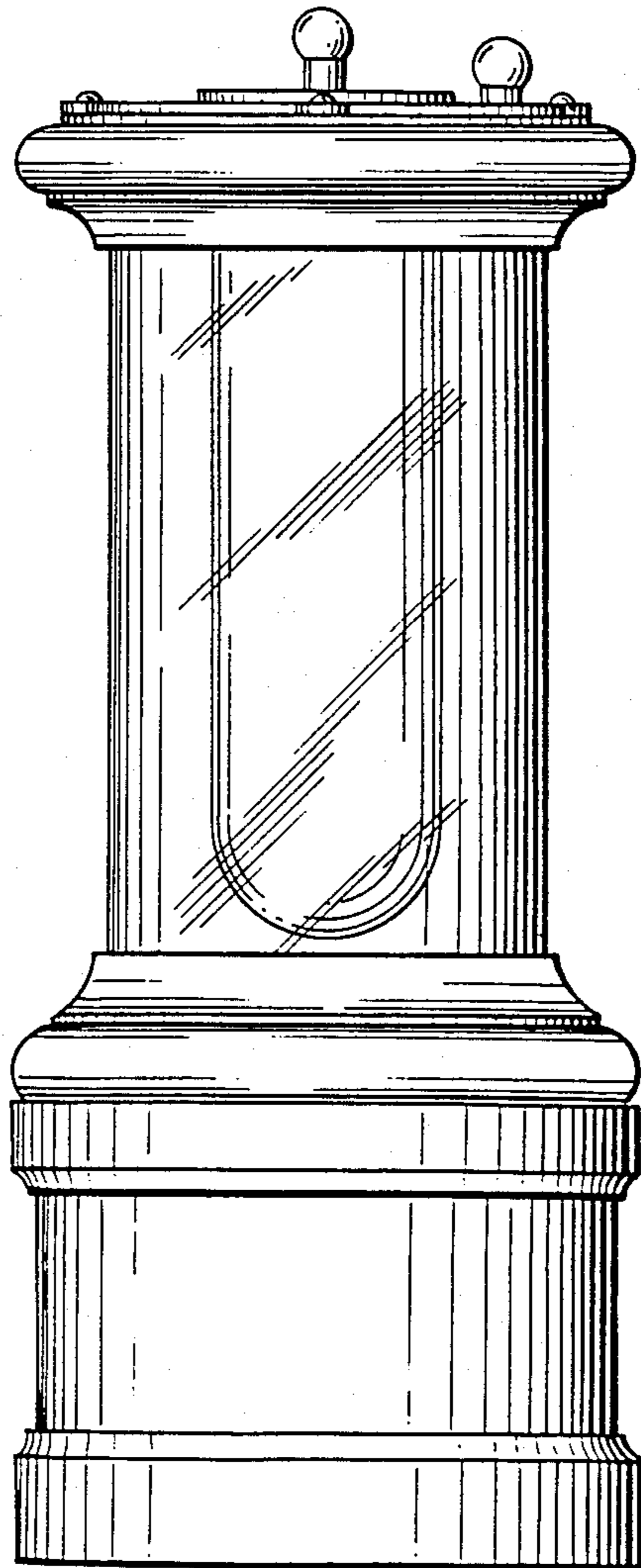


FIG. 3

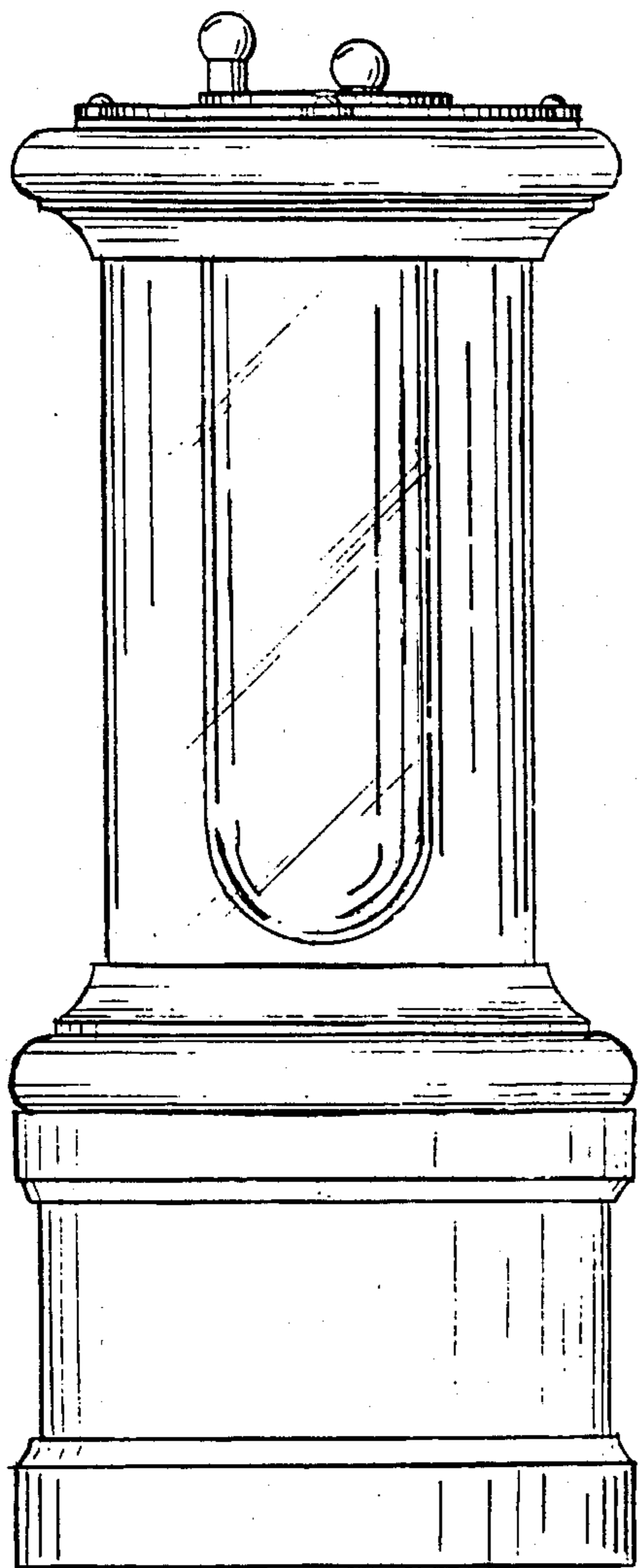


FIG. 4

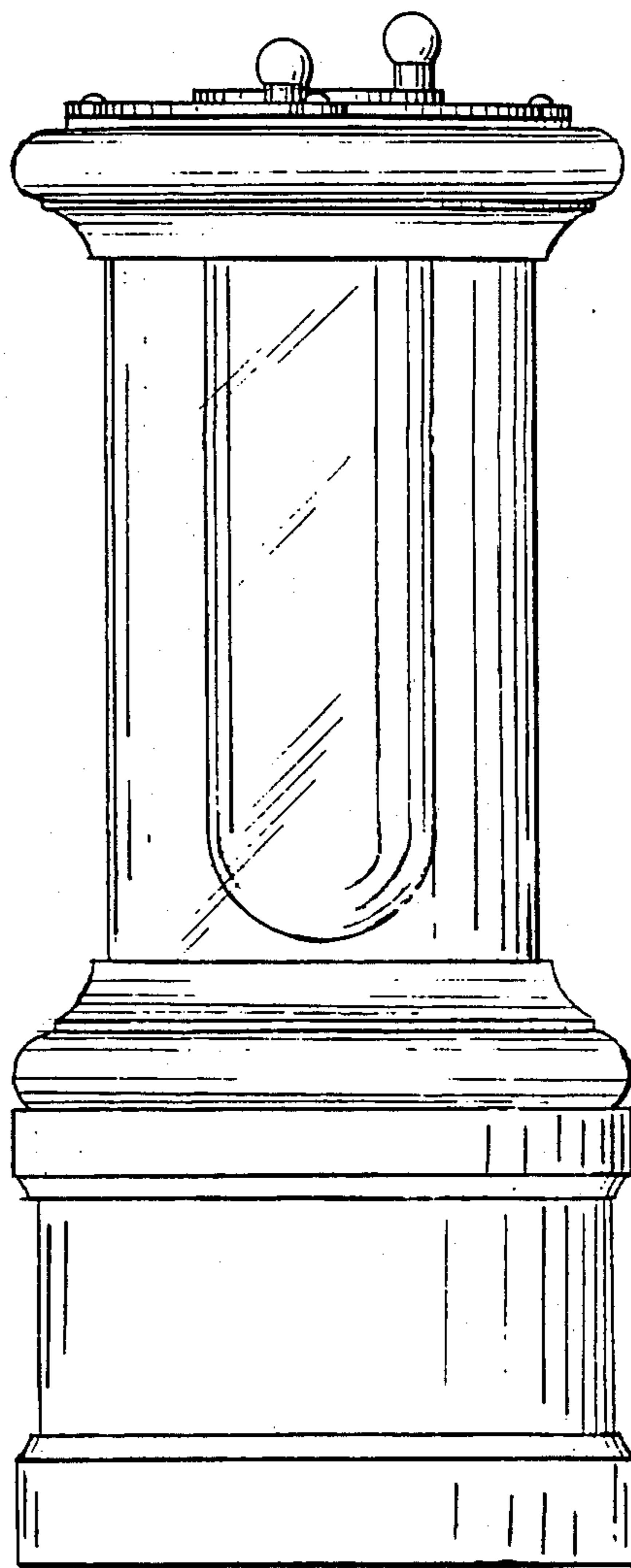


FIG. 5

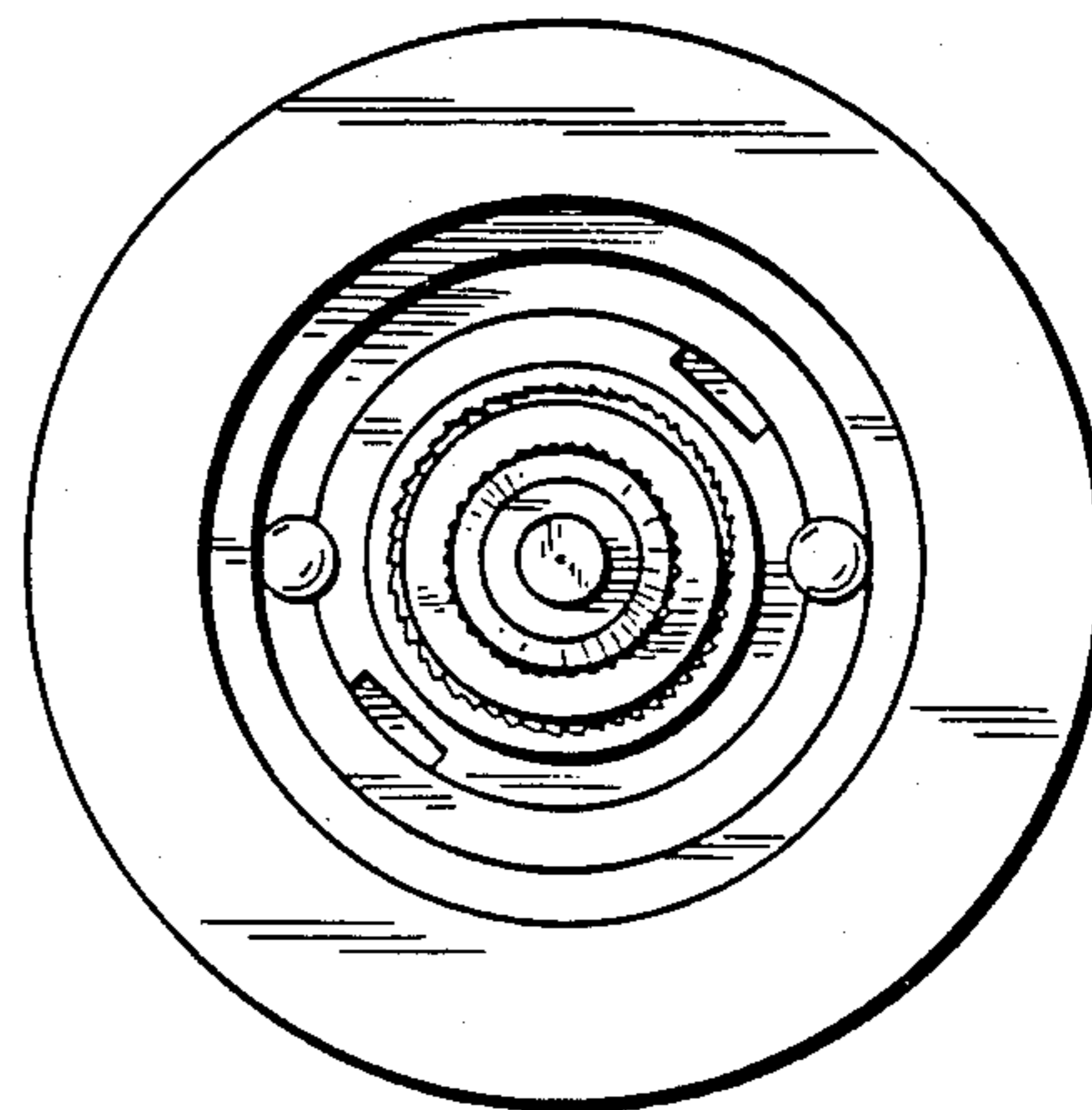


FIG. 6

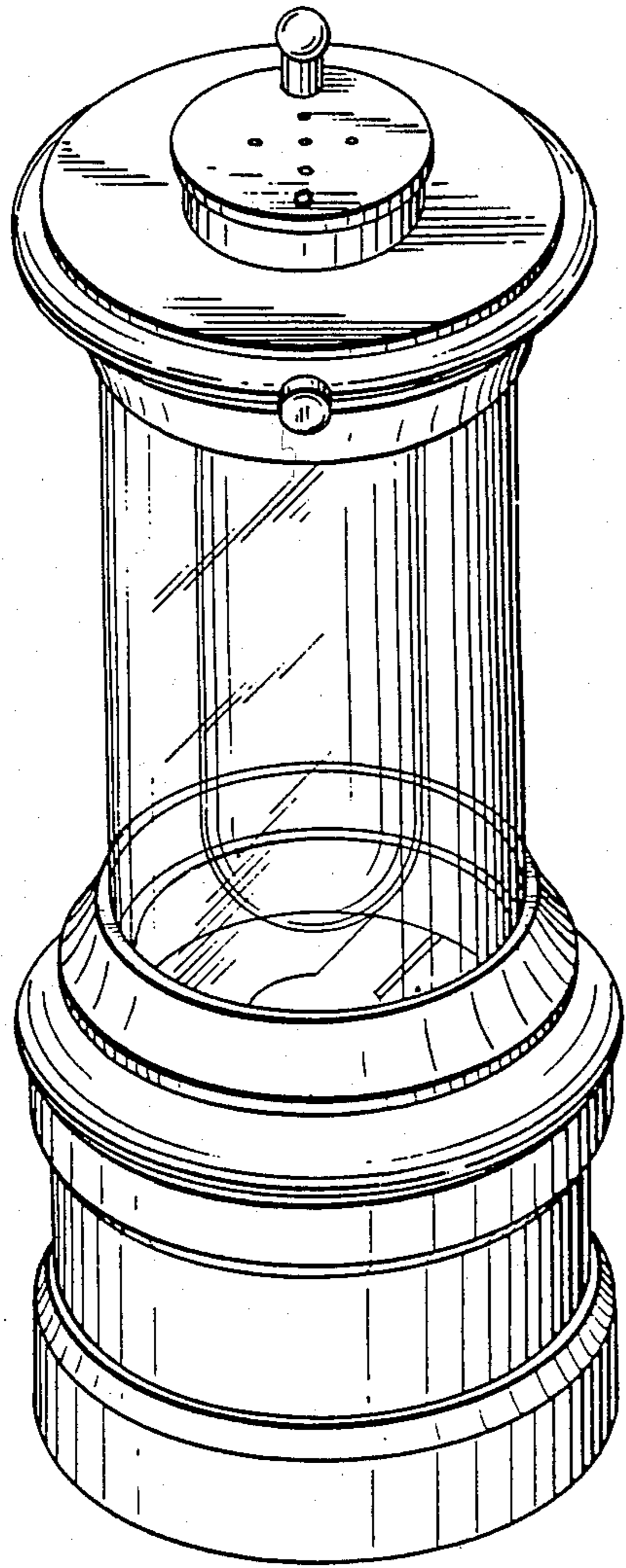


FIG. 7

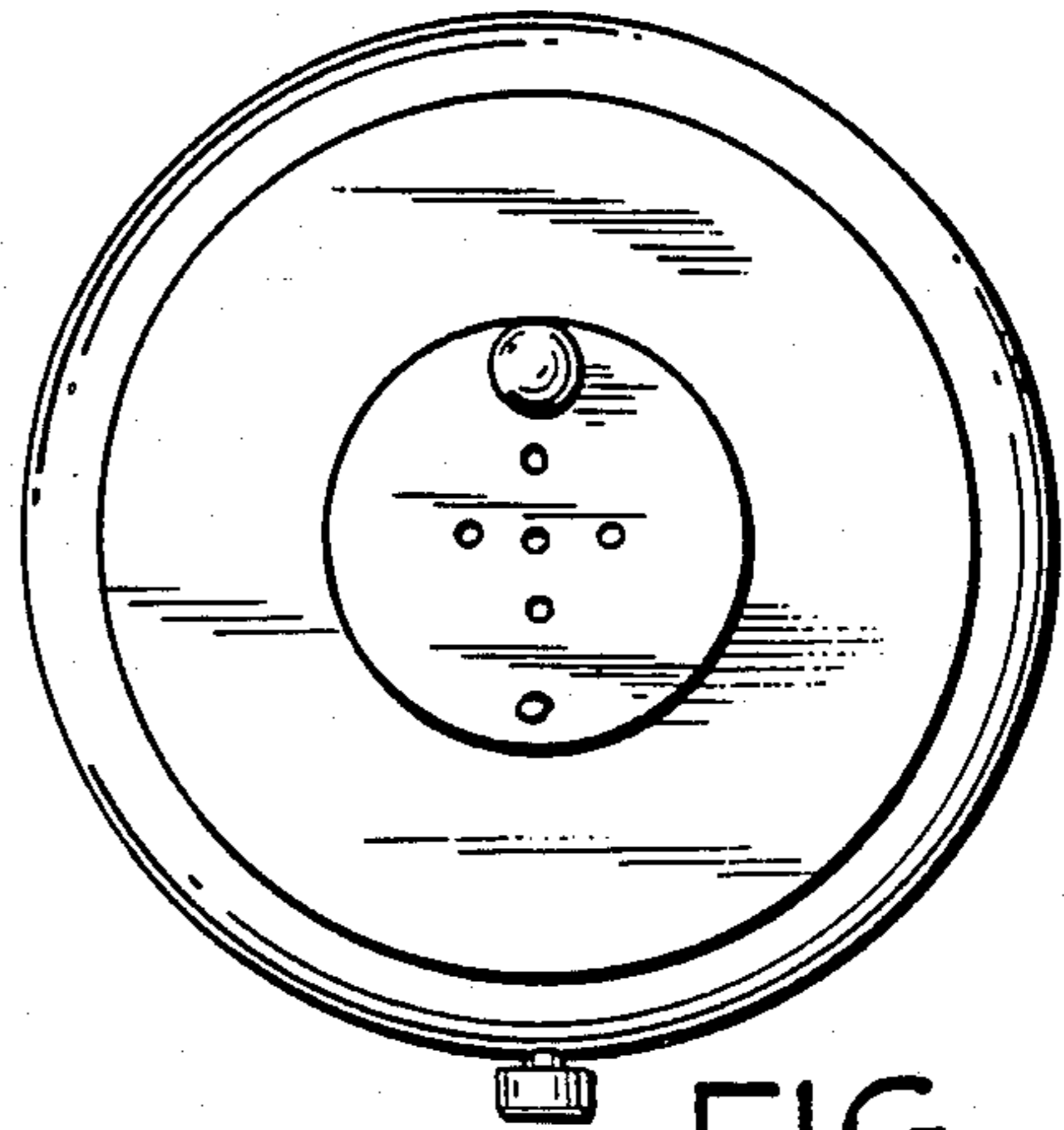


FIG. 8

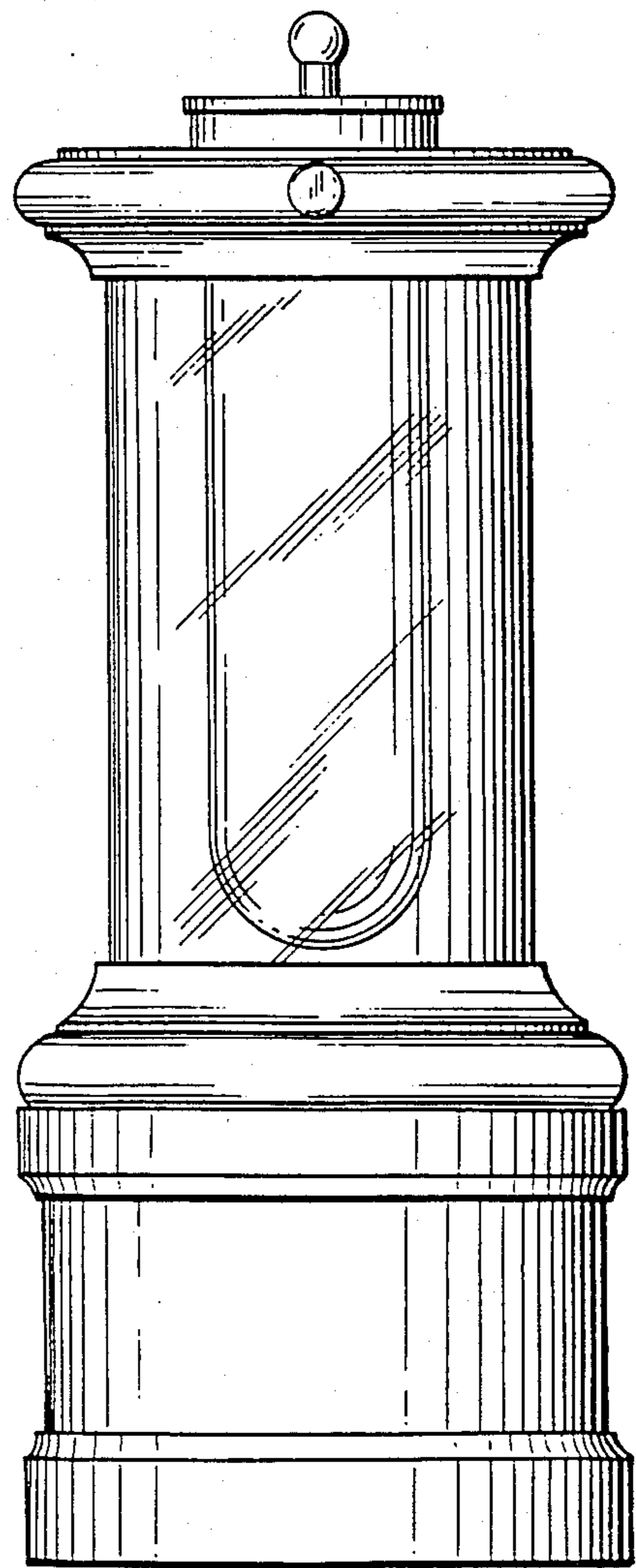


FIG. 9